



US00D349149S

United States Patent [19]

[11] Patent Number: **Des. 349,149**

Roberts et al.

[45] Date of Patent: **** Jul. 26, 1994**

[54] **BAITCAST REEL**

4,544,111 10/1985 Nakajima 292/288
4,940,194 7/1990 Young 242/288

[75] Inventors: **Dennis E. Roberts**, Owasso;
Hyunkyu Kim, Tulsa, both of Okla.;
Richard J. Robbins, Derby, Kans.

Primary Examiner—A. Hugo Word
Assistant Examiner—Doris V. Coles
Attorney, Agent, or Firm—Wood, Phillips, VanSanten,
Hoffman & Ertel

[73] Assignee: **Zebco Corporation**, Tulsa, Okla.

[**] Term: **14 Years**

[57] **CLAIM**

[21] Appl. No.: **797,109**

The ornamental design for a baitcast reel, as shown and described.

[22] Filed: **Nov. 25, 1991**

[52] U.S. Cl. **D22/140**

[58] **Field of Search** 242/223, 224, 236, 257-262,
242/279, 238, 264, 268, 311, 312, 288; D22/140

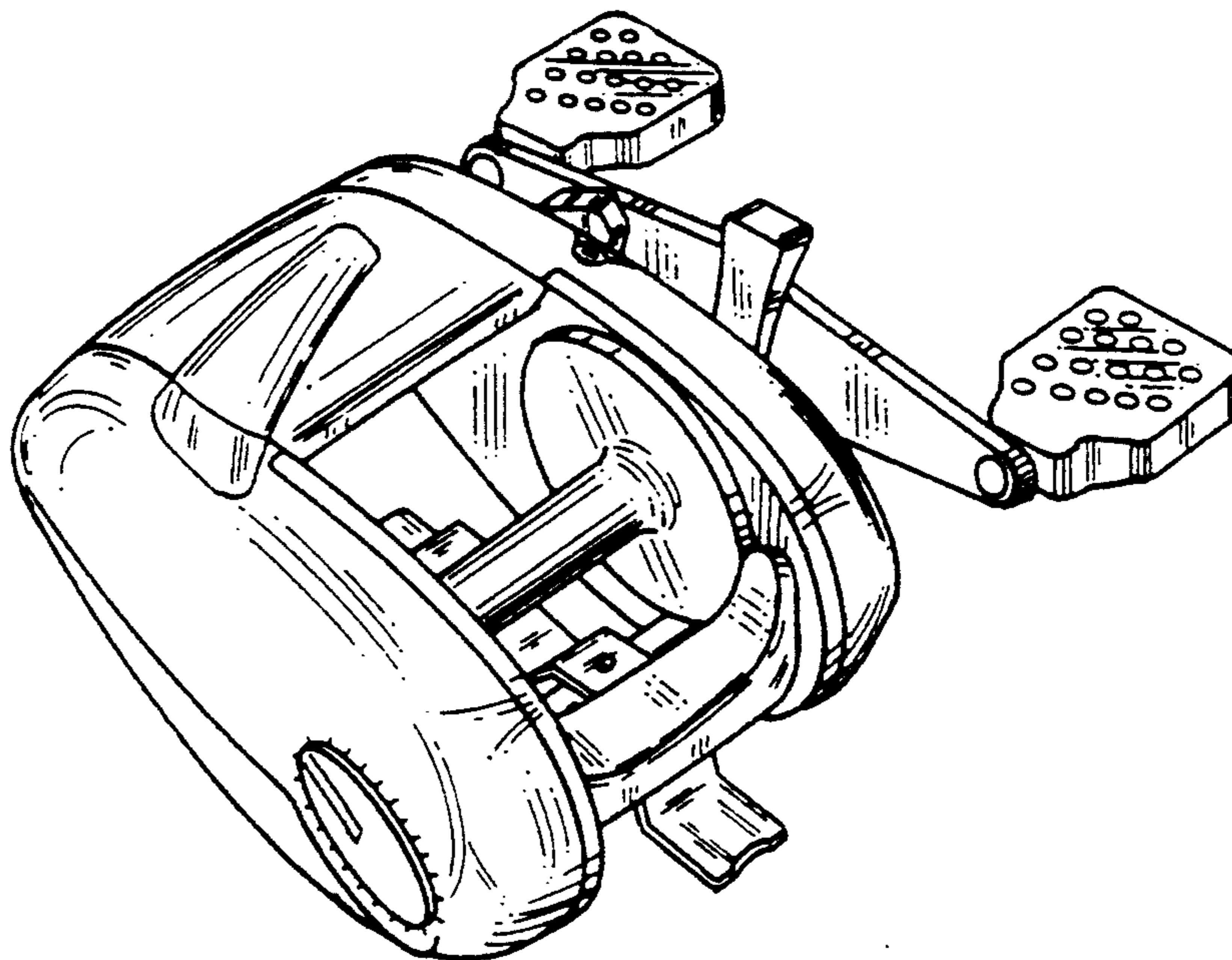
DESCRIPTION

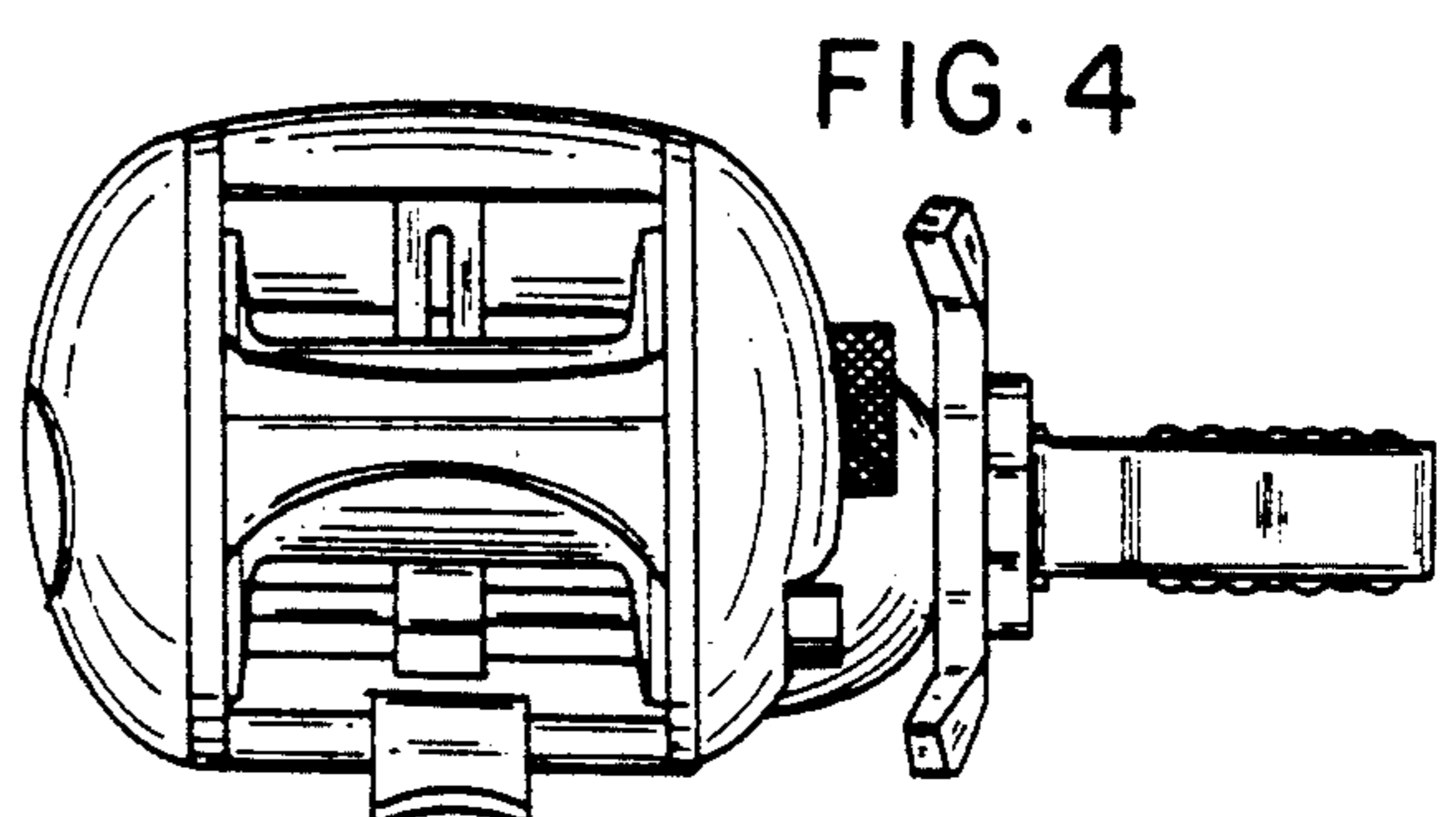
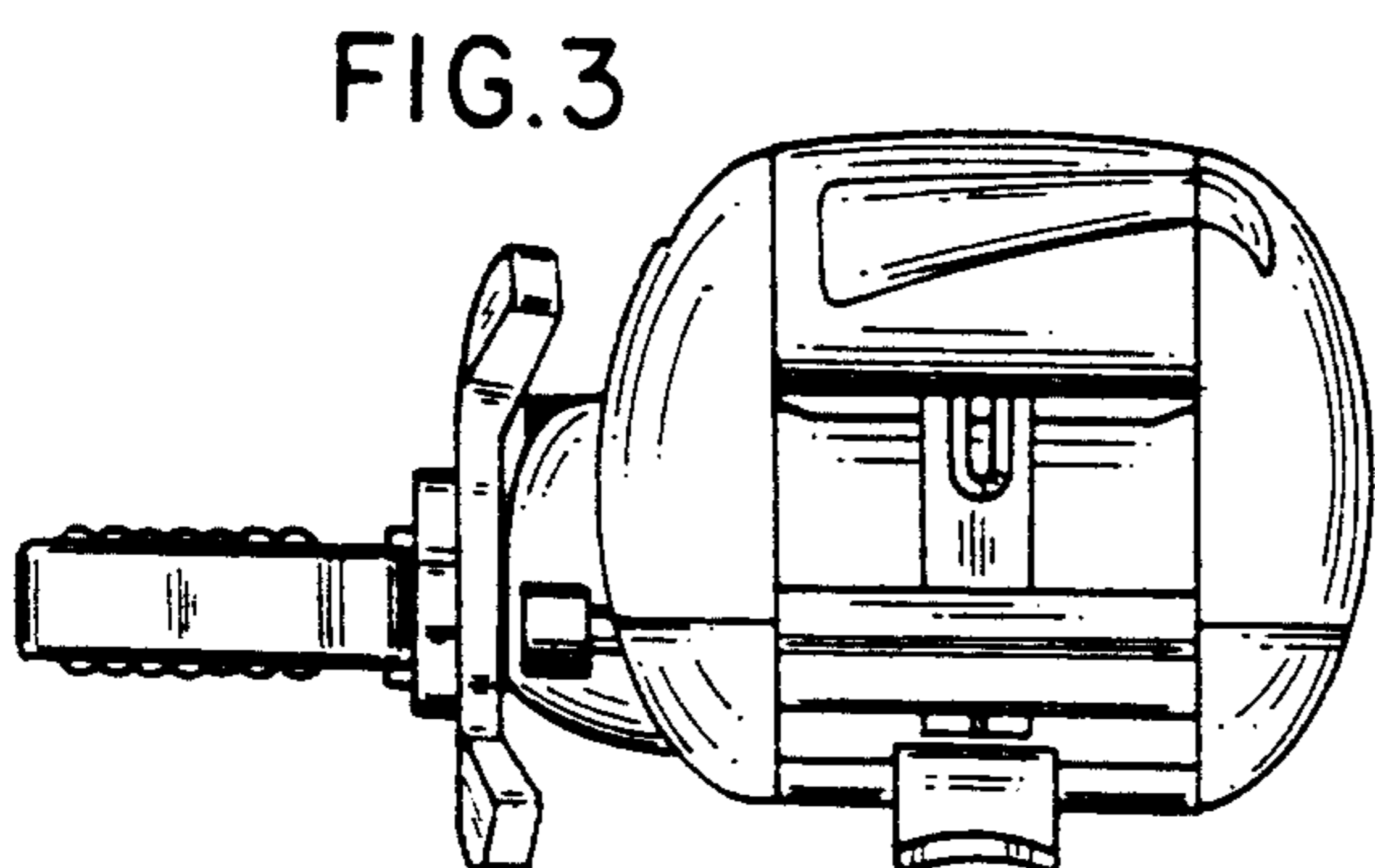
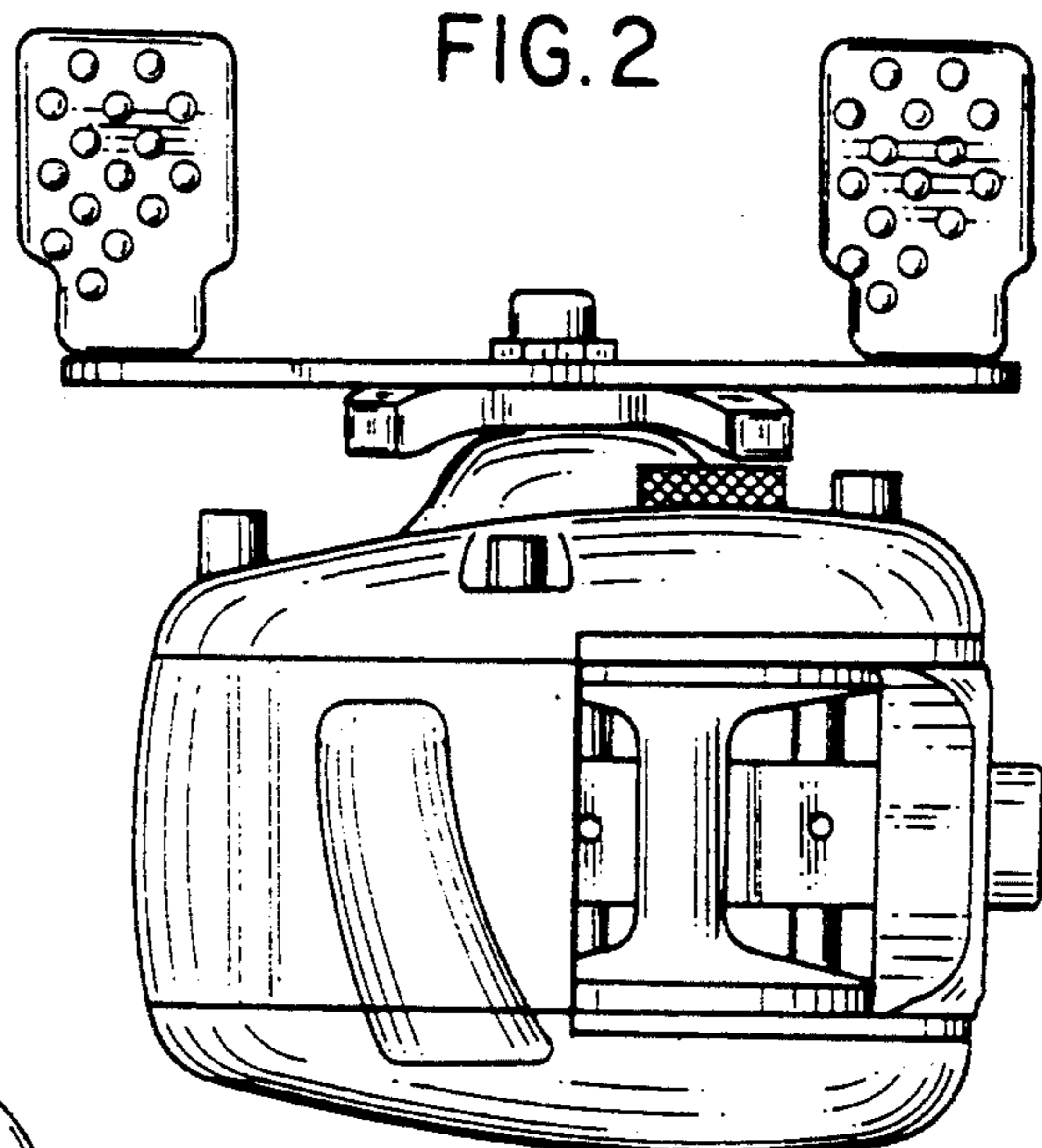
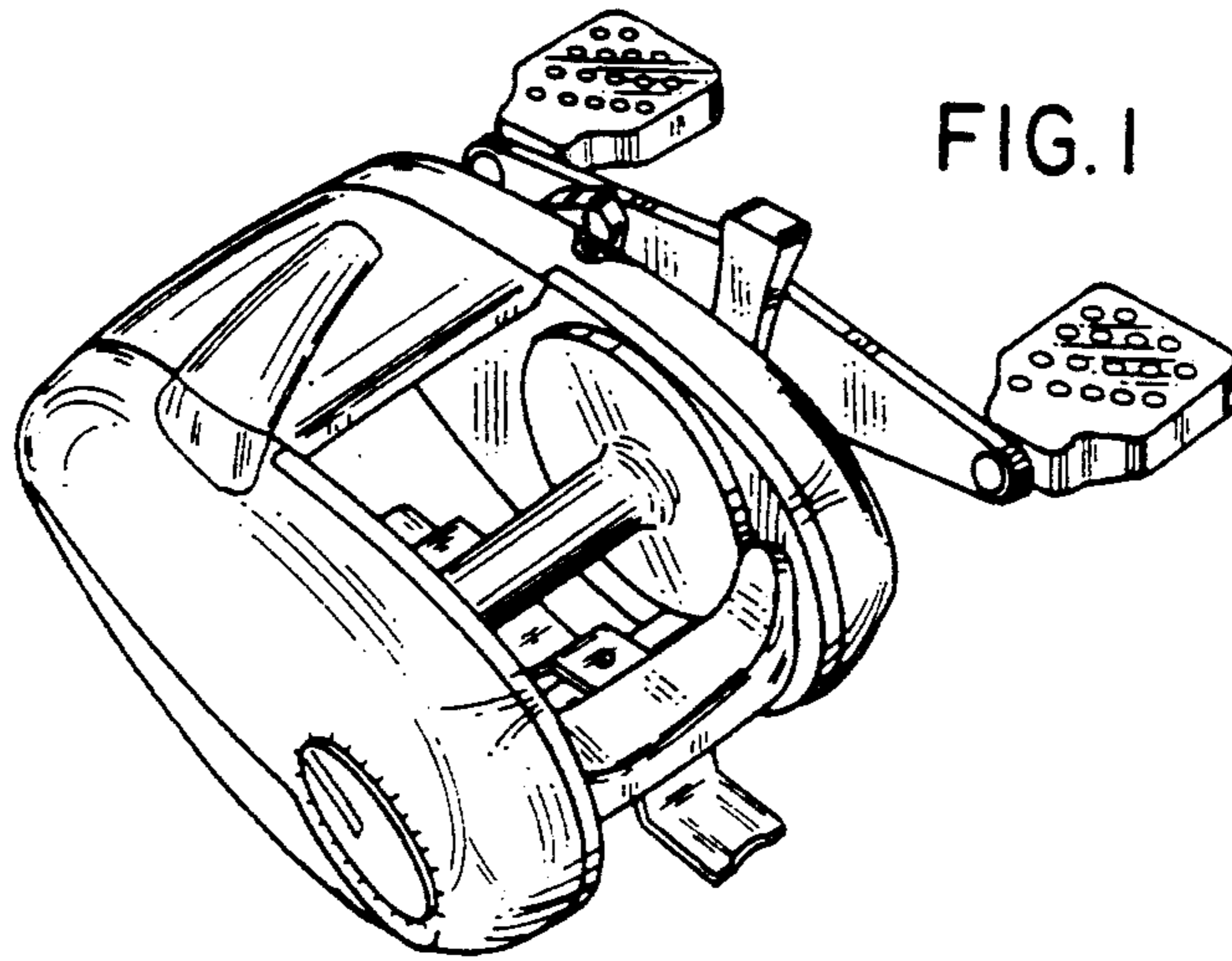
[56] **References Cited**

U.S. PATENT DOCUMENTS

- D. 299.511 1/1989 Kameda et al. D22/140
- D. 299.848 2/1989 Hiraishi et al. D22/140
- D. 308.406 6/1990 Robbins D22/140

FIG. 1 is a front, top and right side perspective view of our baitcast reel design;
FIG. 2 is a plan view thereof;
FIG. 3 is a front elevation view thereof;
FIG. 4 is a rear elevation view thereof;
FIG. 5 is a right side elevation view thereof;
FIG. 6 is a left side elevation view thereof; and,
FIG. 7 is a bottom view thereof.





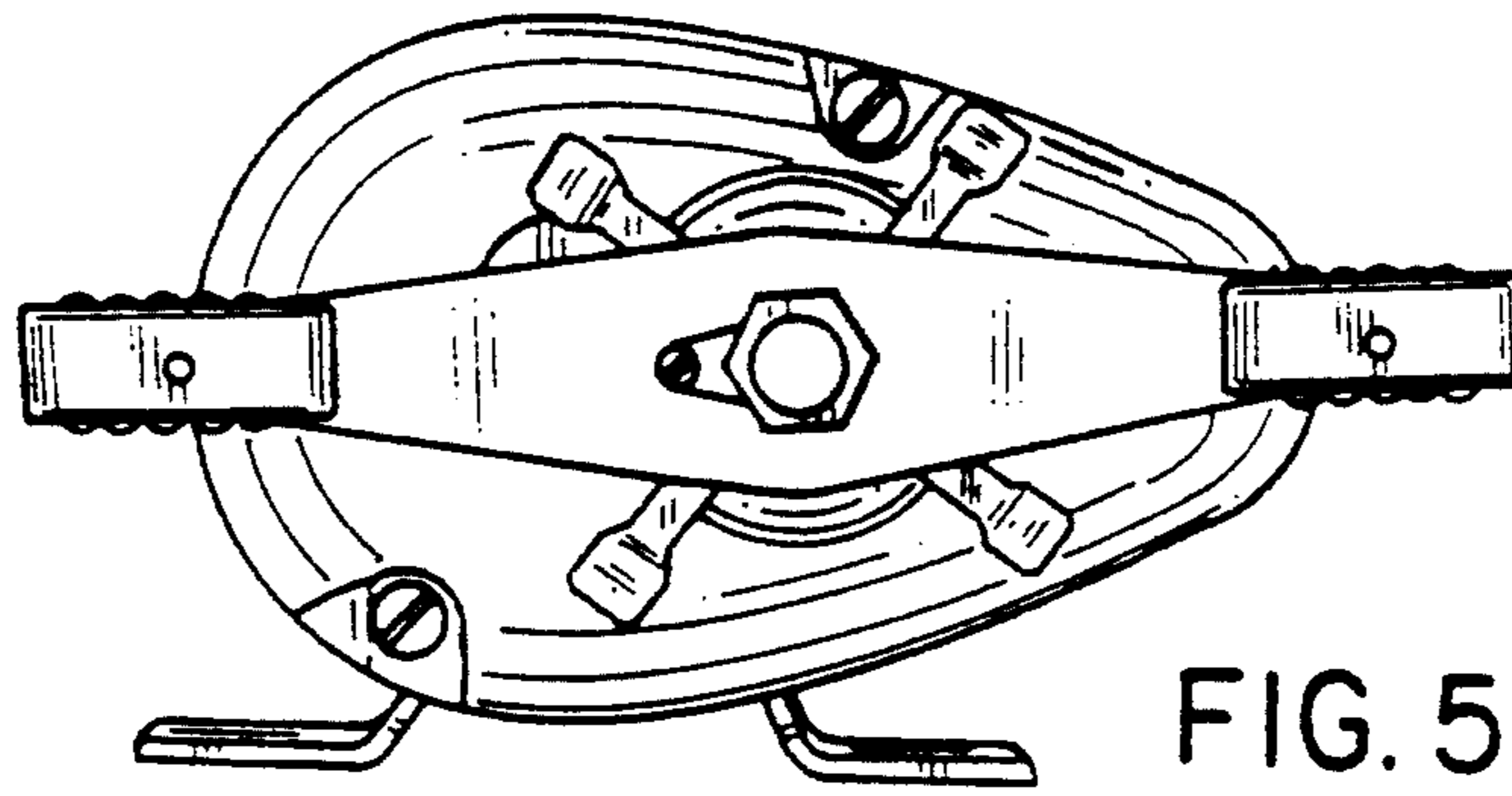


FIG. 5

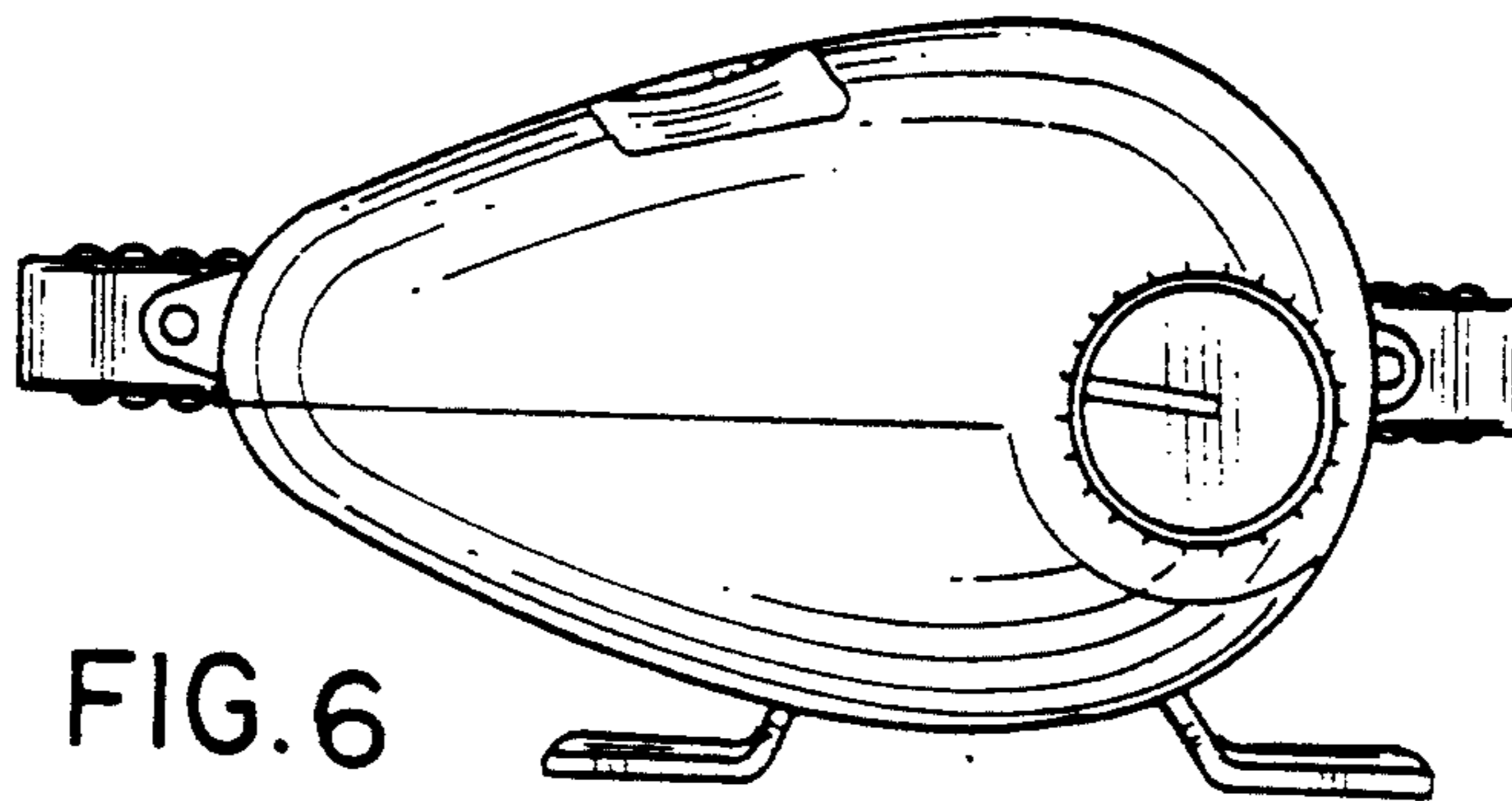


FIG. 6

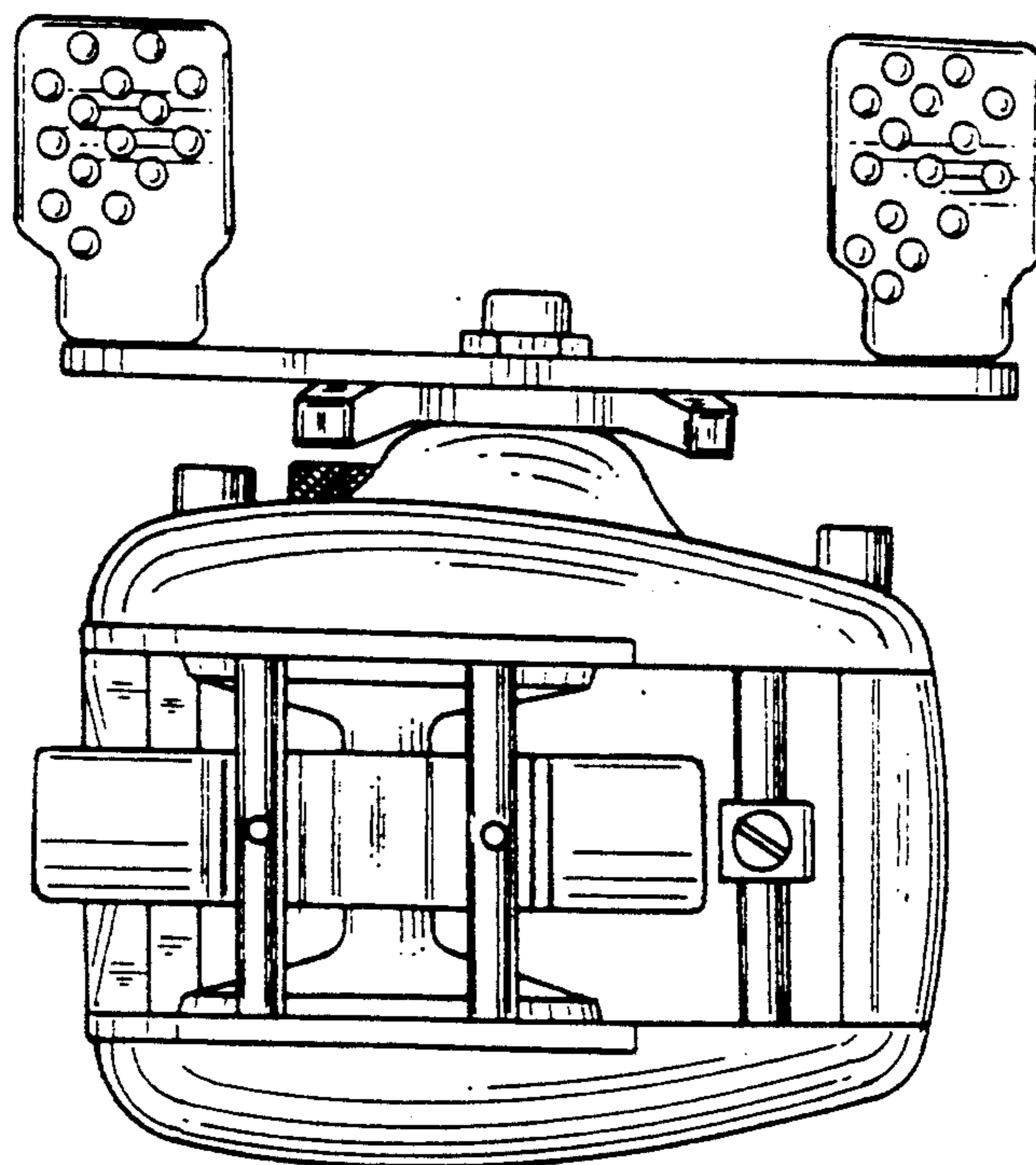


FIG. 7