



US00D349147S

United States Patent [19]

[11] Patent Number: **Des. 349,147**

Gwinn, Jr.

[45] Date of Patent: **** Jul. 26, 1994**

[54] FIREARM BARREL MUZZLE ATTACHMENT

4,757,741 7/1988 Brothers 42/79
5,005,463 4/1991 A'costa 89/14.3 X

[76] Inventor: Mack W. Gwinn, Jr., P.O. Box 61, Stetson Rd., Levant, Me. 04456

Primary Examiner—A. Hugo Word
Assistant Examiner—Doris V. Coles
Attorney, Agent, or Firm—Michael W. York

[**] Term: 14 Years

[21] Appl. No.: 9,057

[57] CLAIM

[22] Filed: Jun. 4, 1993

The ornamental design for a firearm barrel muzzle attachment, as shown and described.

[52] U.S. Cl. D22/108

[58] Field of Search 42/1.06, 79; 89/14.2, 89/14.3, 14.4; D22/108

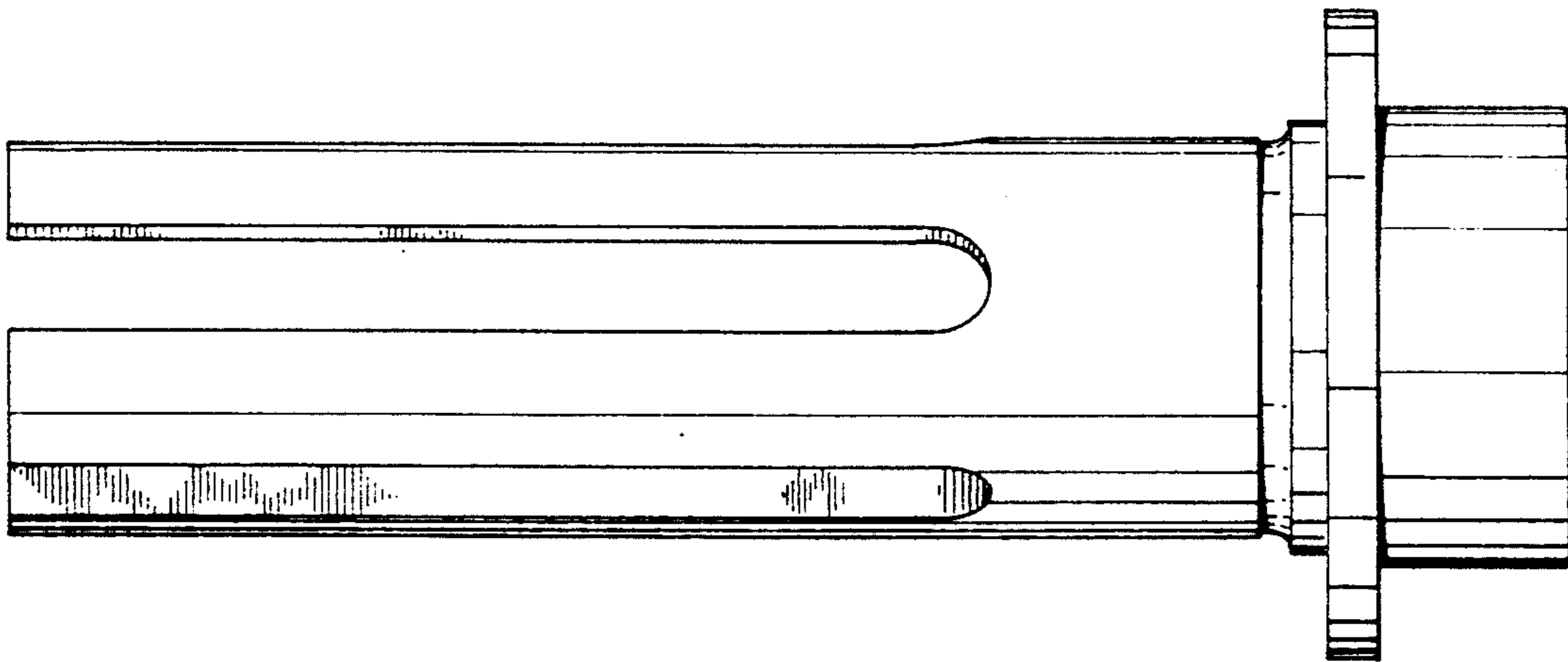
DESCRIPTION

[56] References Cited

U.S. PATENT DOCUMENTS

4,510,843 4/1985 Rabatin 89/14.4
4,664,014 5/1987 Hawley et al. 89/14.2
4,716,809 1/1988 A'costa 89/14.3

FIG. 1 is a side elevational view of a firearm barrel muzzle attachment showing my new design, the opposite side being substantially a mirror image thereof; FIG. 2 is a top plan view thereof; FIG. 3 is a bottom plan view thereof; FIG. 4 is a front elevational view thereof; and, FIG. 5 is a rear elevational view thereof.



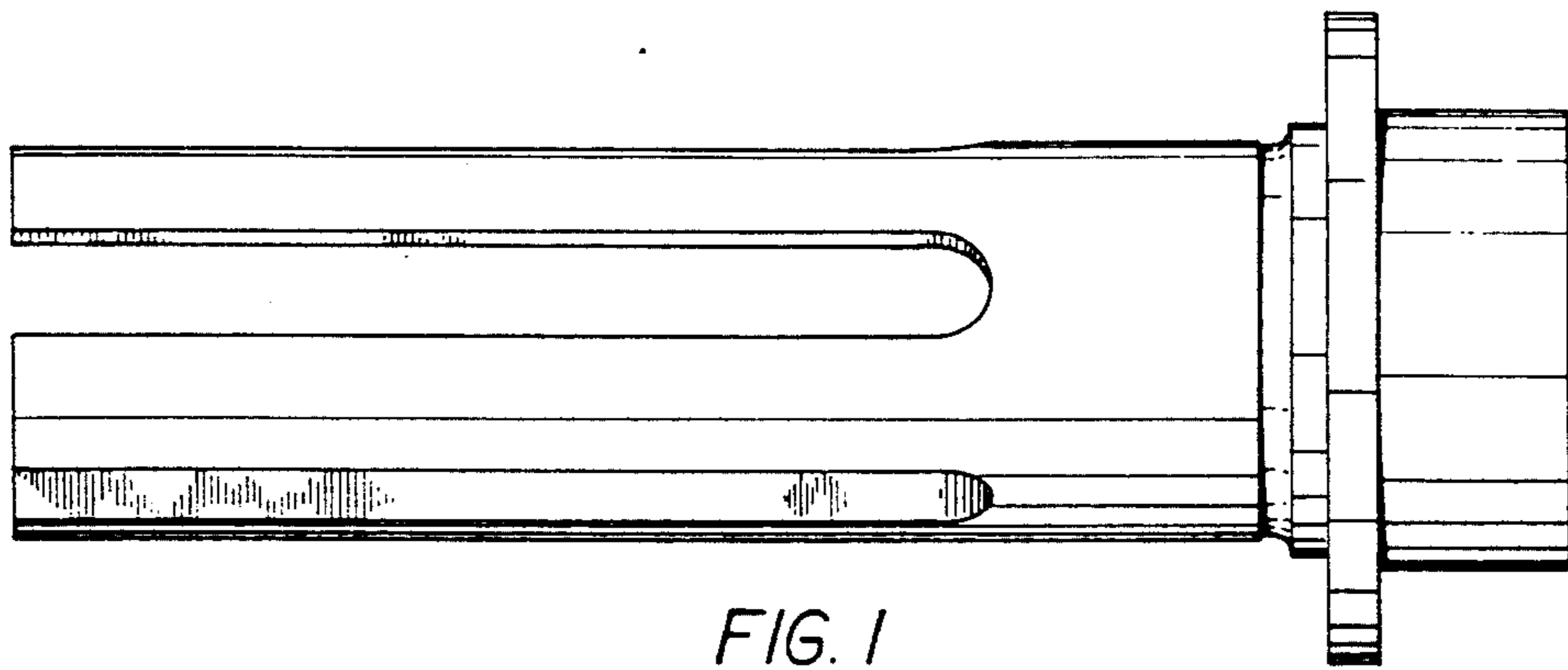


FIG. 1

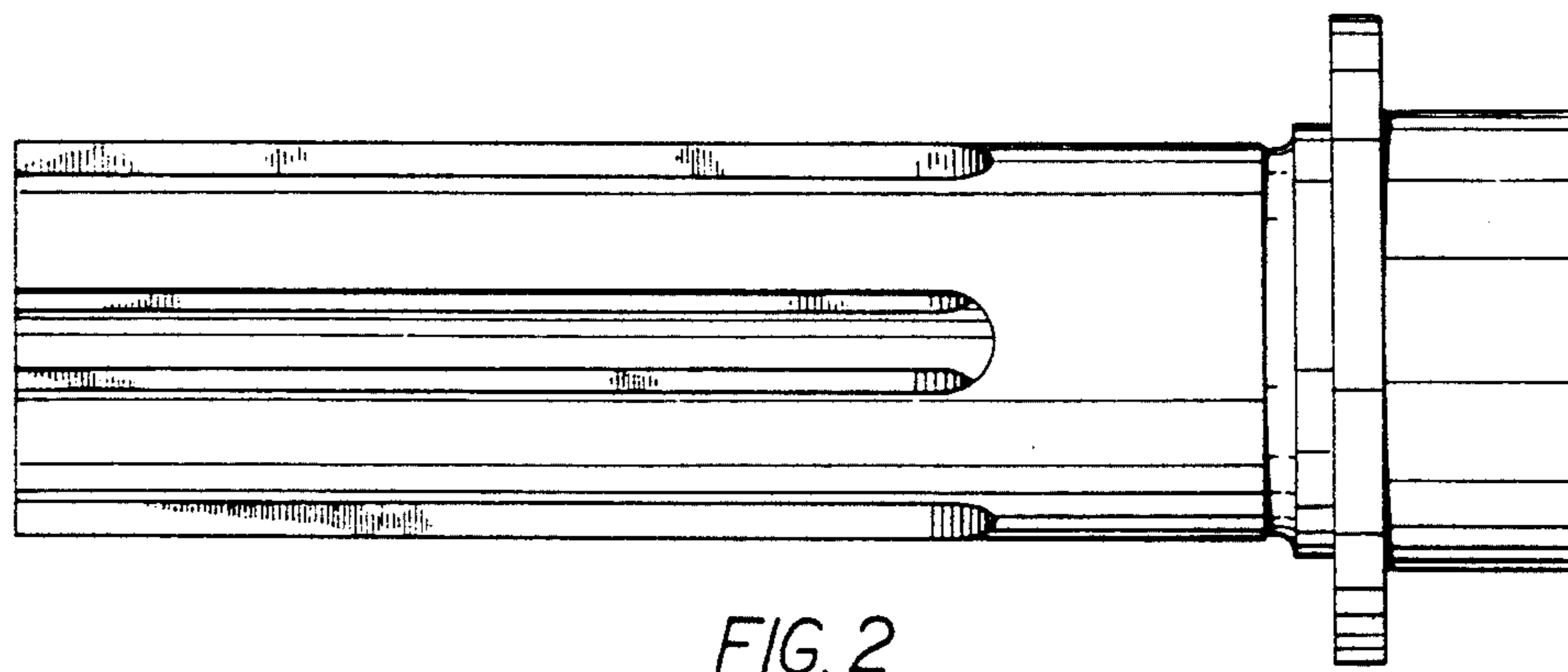


FIG. 2

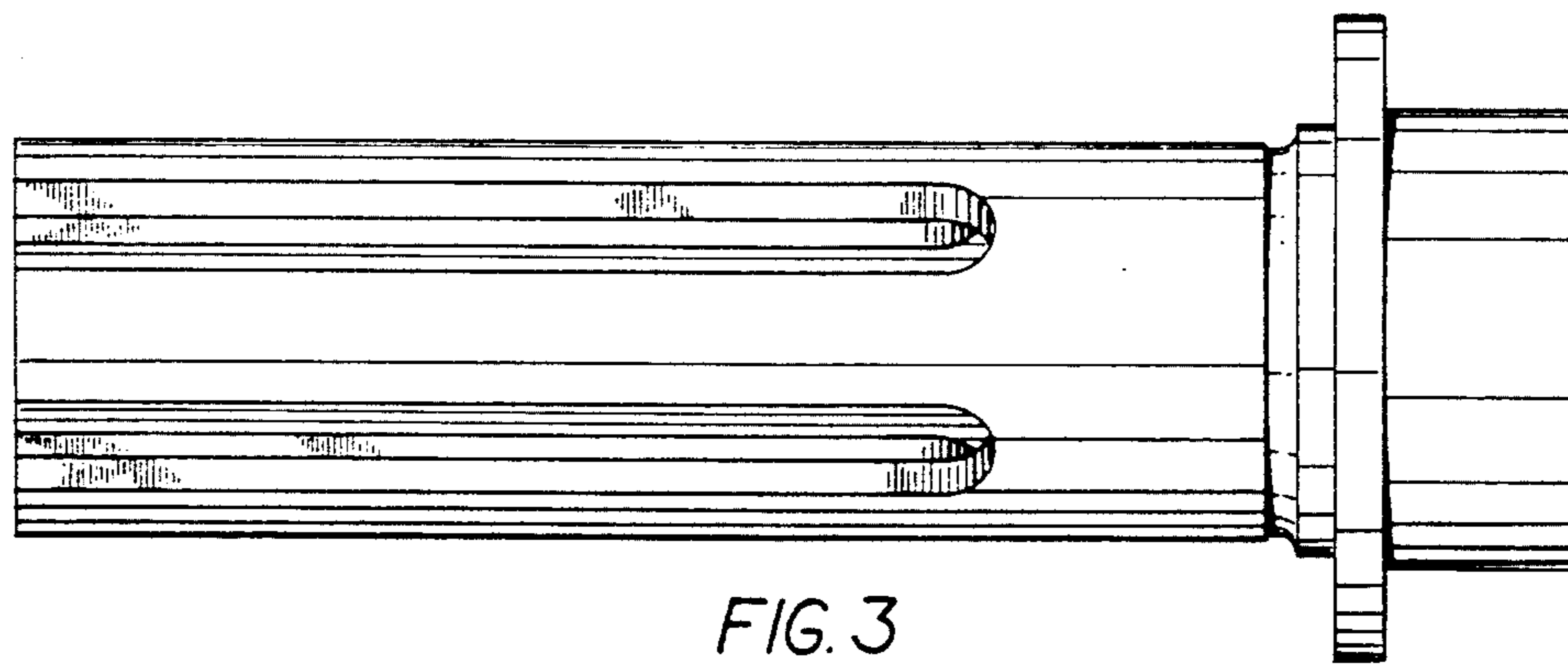


FIG. 3

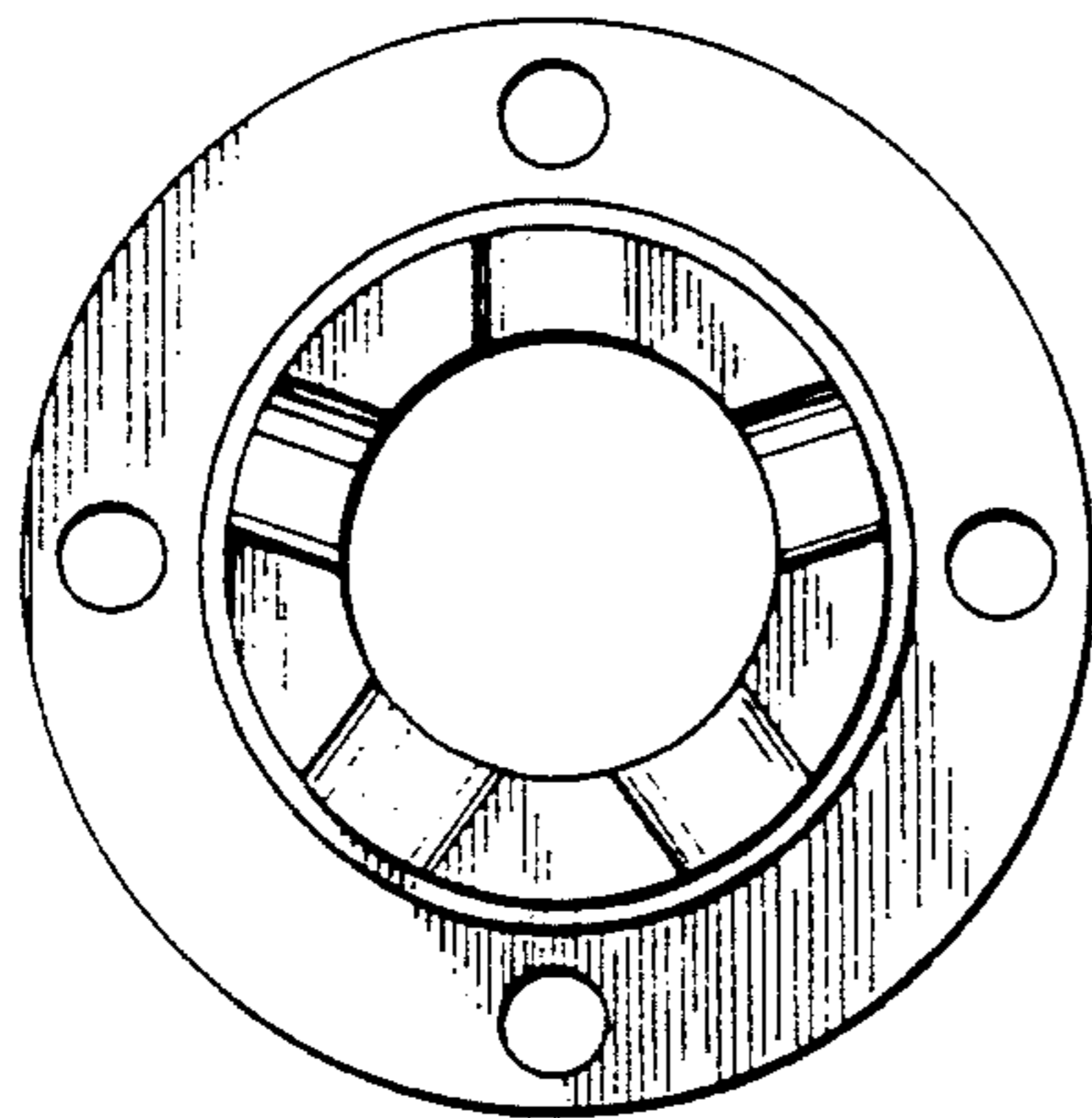


FIG. 4

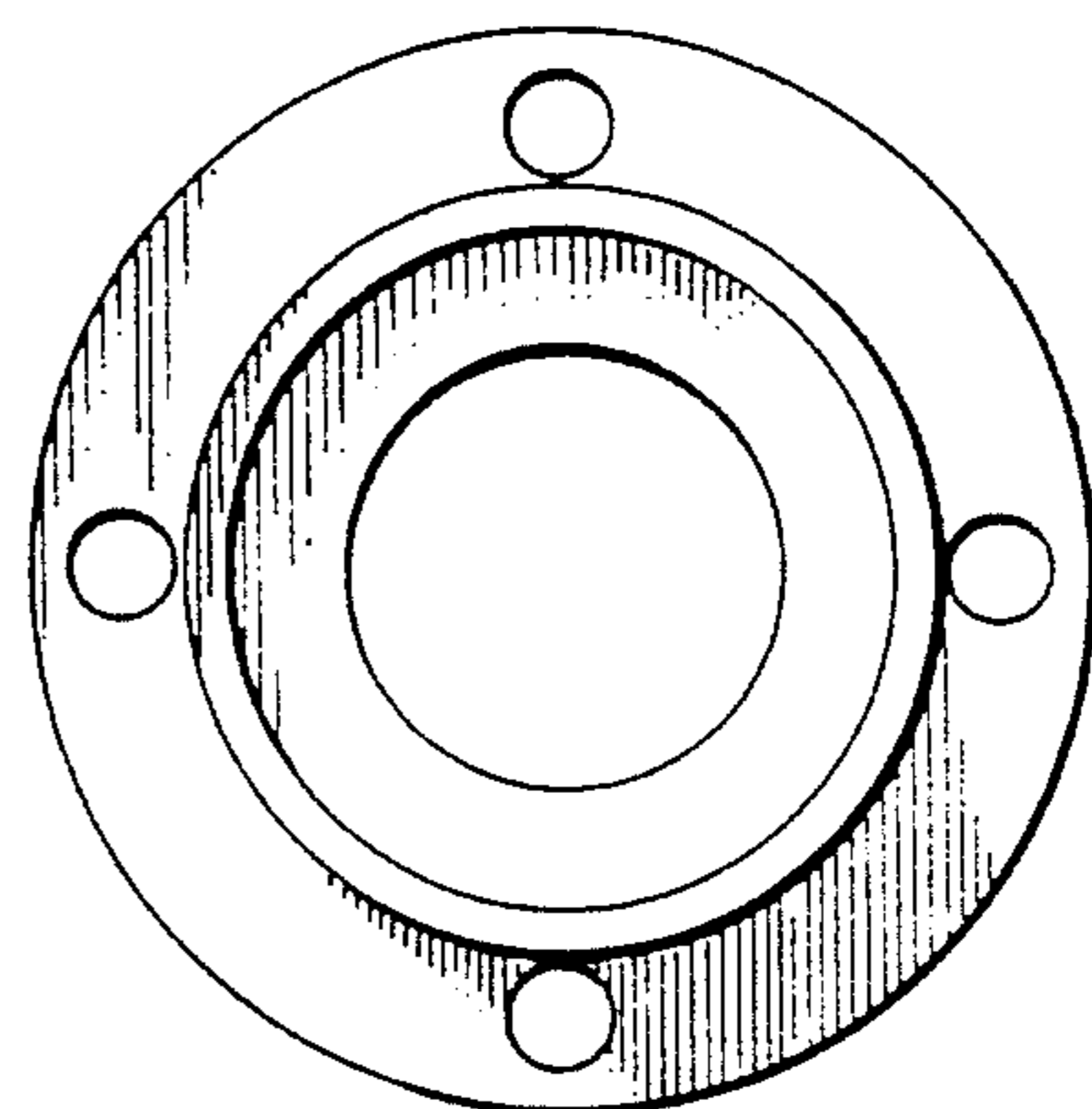


FIG. 5