



US00D349144S

United States Patent [19]
Greene

[11] **Patent Number: Des. 349,144**
[45] **Date of Patent: ** Jul. 26, 1994**

[54] **FOREARM OUTRIGGER SKI**

[76] **Inventor: Mark D. Greene, 101 Tryon Ct., Sacramento, Calif. 95864**

[**] **Term: 14 Years**

[21] **Appl. No.: 2,788**

[22] **Filed: Dec. 21, 1992**

[52] **U.S. Cl. D21/229**

[58] **Field of Search 280/816, 809; 135/66, 135/70, 71; 403/93; D21/228, 229, 230**

[56] **References Cited**

U.S. PATENT DOCUMENTS

3,738,674 6/1973 Pauls 280/816
3,948,535 4/1976 Negt 280/816

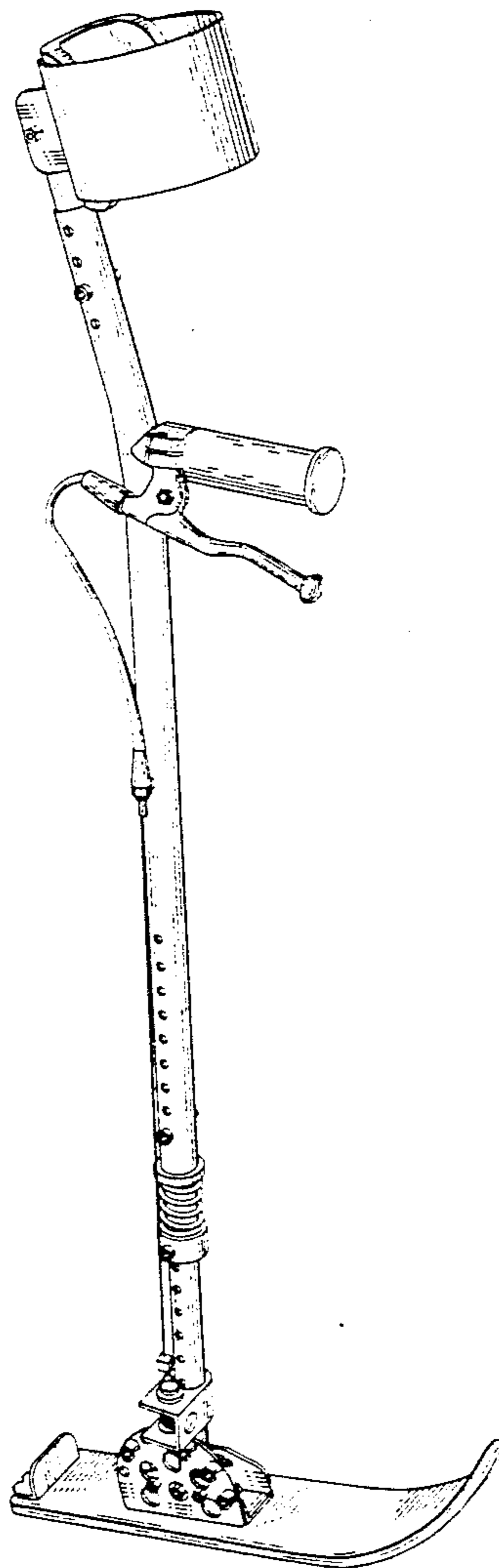
Primary Examiner—Kay H. Chin
Attorney, Agent, or Firm—Lothrop & West

[57] **CLAIM**

The ornamental design for a forearm outrigger ski, as shown and described.

DESCRIPTION

FIG. 1 is a front perspective view of a forearm outrigger ski, showing my new design;
FIG. 2 is an elevational view of one side thereof;
FIG. 3 is a front elevational view thereof;
FIG. 4 is an elevational view of the other side thereof;
FIG. 5 is a rear elevational view thereof;
FIG. 6 is a top plan view thereof;
FIG. 7 is a bottom plan view thereof; and,
FIG. 8 is a side elevational view thereof, as in FIG. 2, but with the ski rotated, under spring urgency, approximately 90° in a counter-clockwise direction, as the clutch dog is first disengaged from a location between a first pair of teeth by upward force exerted by the user on the clutch handle and then re-engaged, under spring urgency, by a second pair of teeth on the semi-circular clutch plate as the user releases the clutch handle.



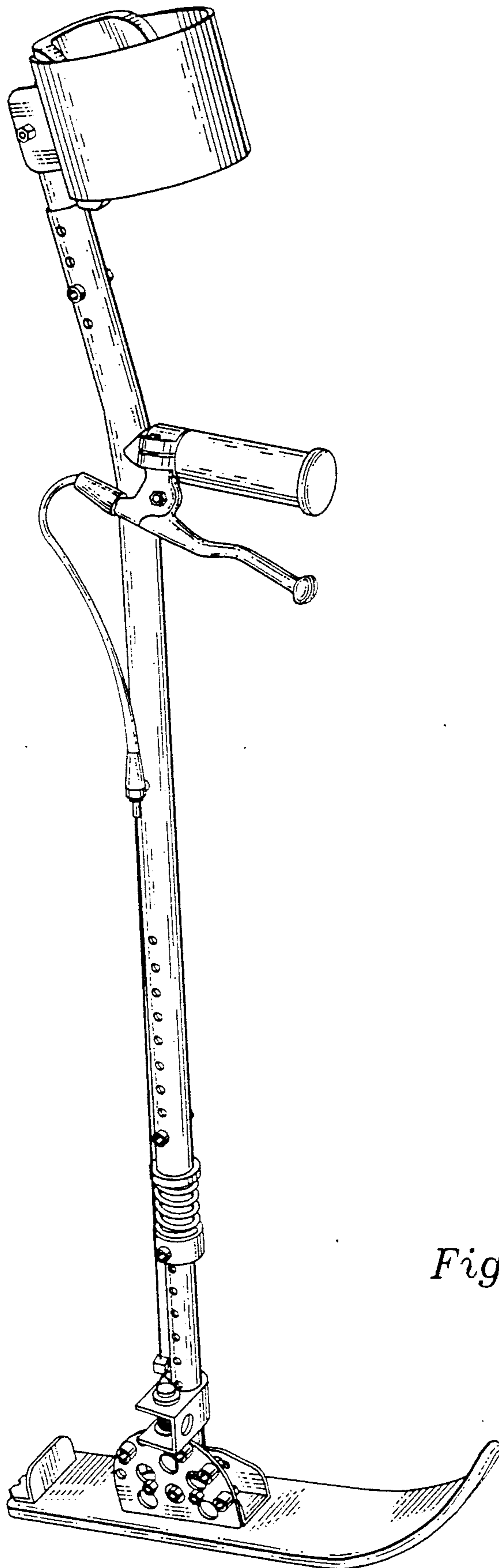


Fig. 1

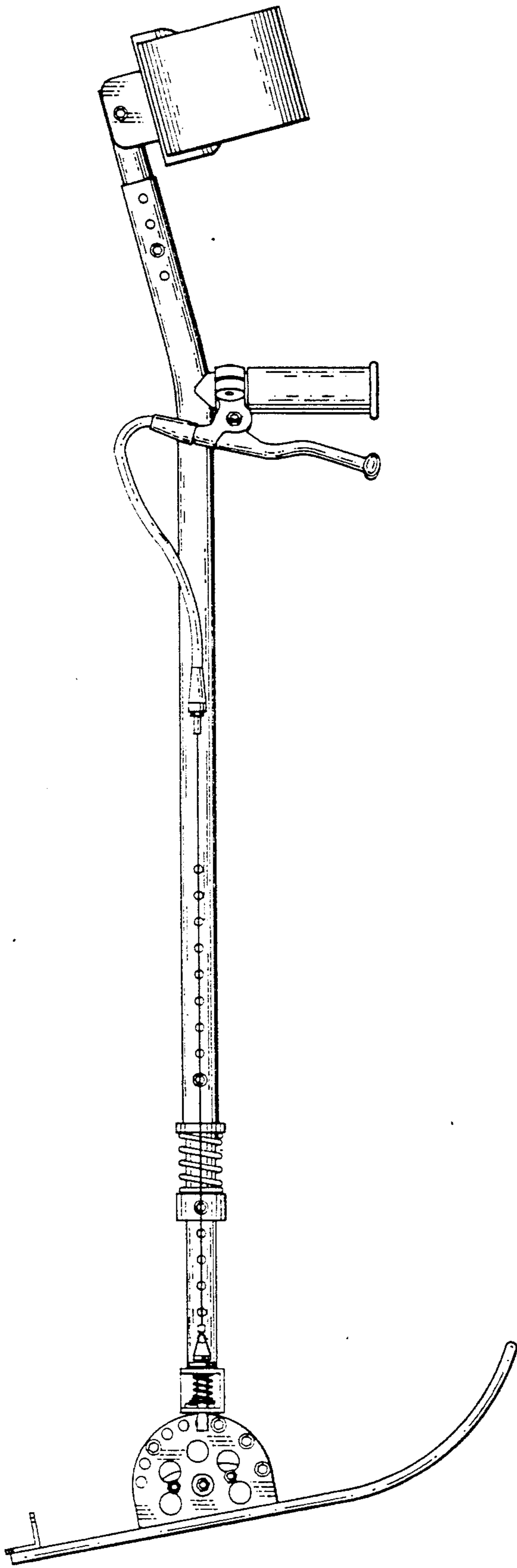


Fig. 2

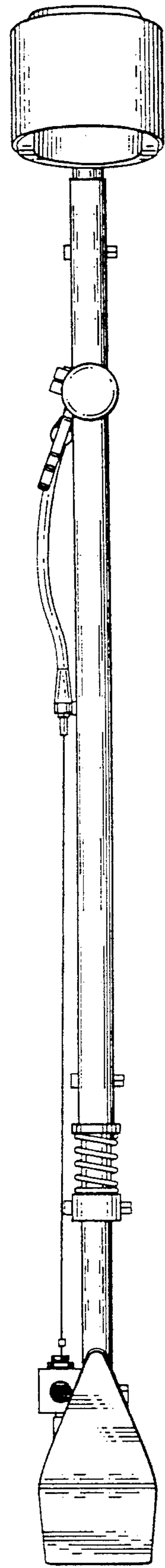


Fig. 3

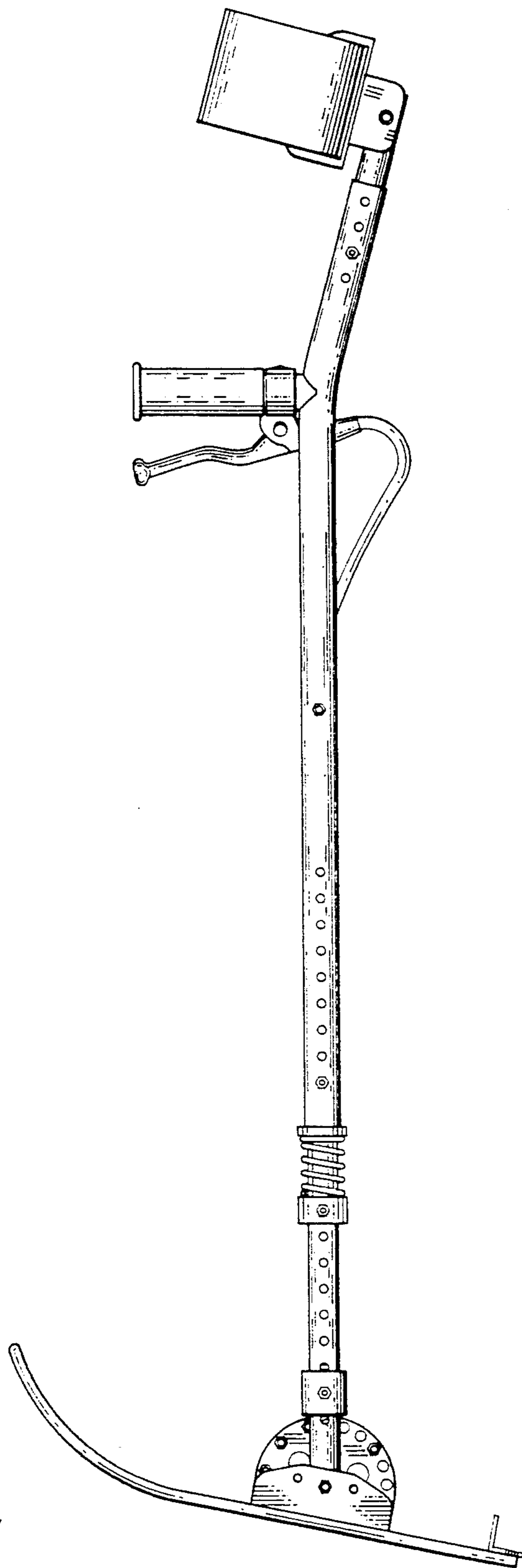


Fig. 4

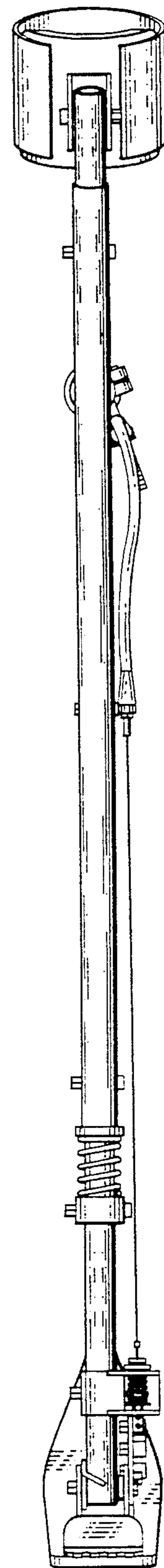


Fig. 5

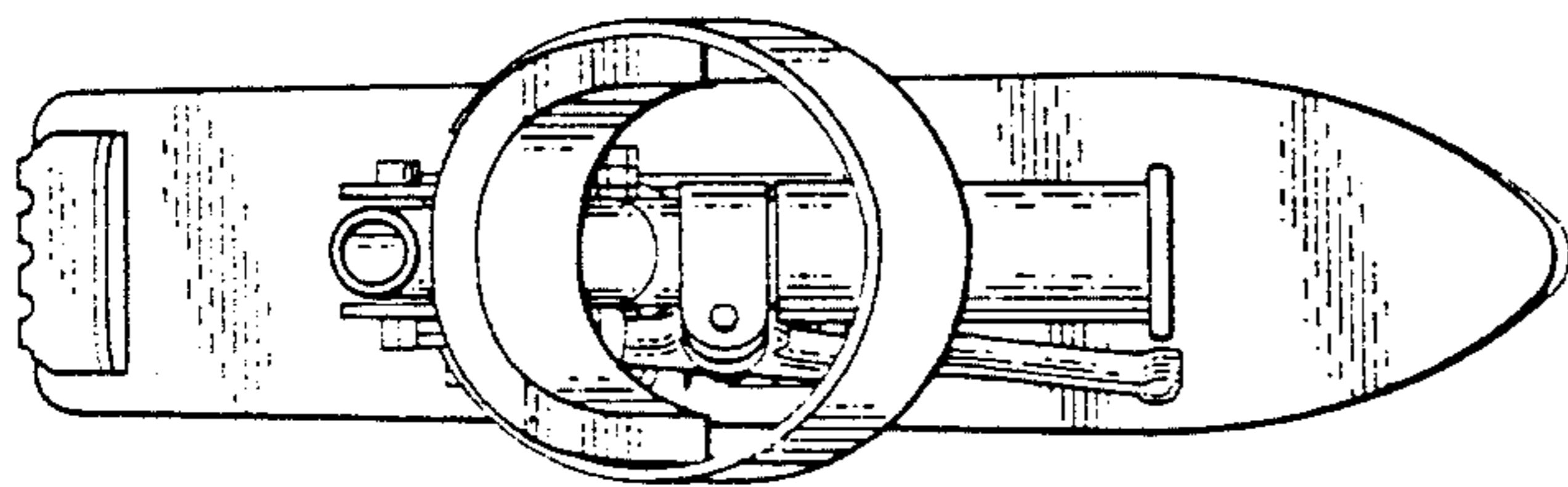


Fig. 6

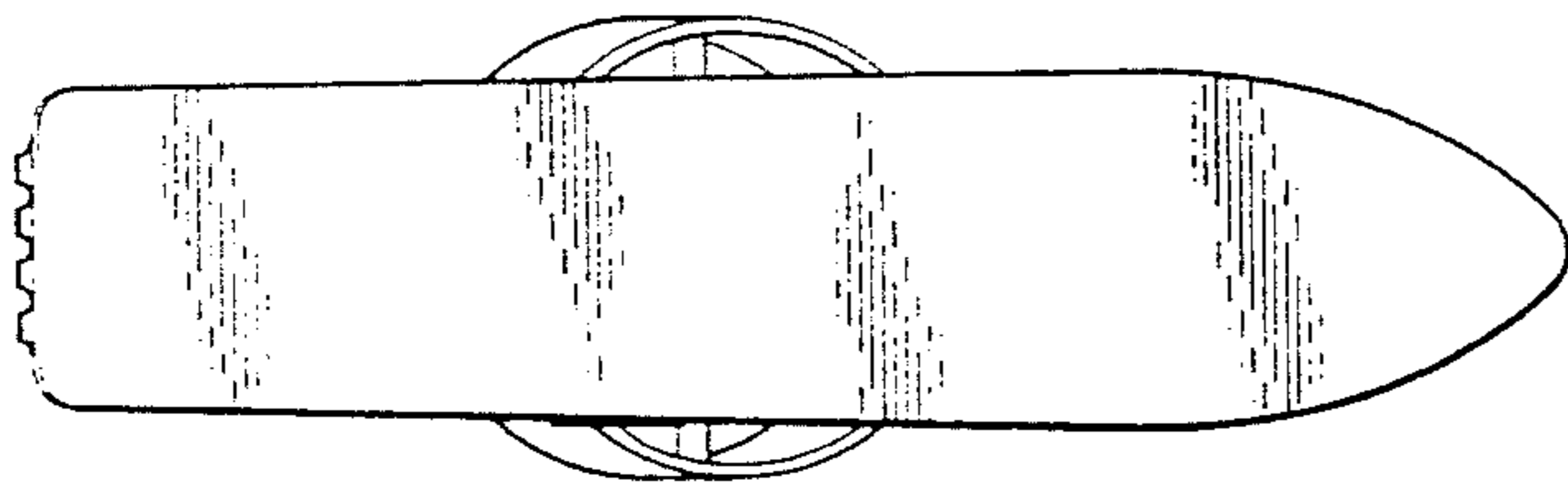


Fig. 7

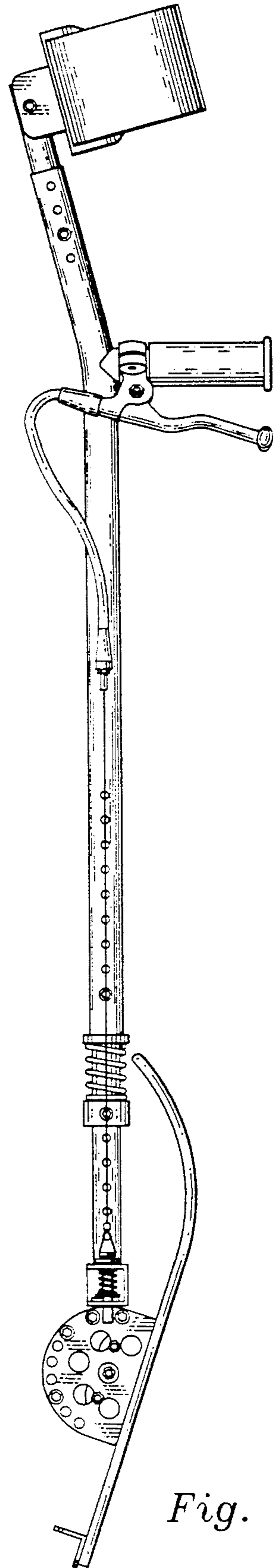


Fig. 8