



US00D349140S

United States Patent [19]
Rockwell

[11] **Patent Number: Des. 349,140**
[45] **Date of Patent: ** Jul. 26, 1994**

[54] **MULTI-PURPOSE EXERCISE MACHINE**

[75] **Inventor: Gary Rockwell, Auburn, Ala.**

[73] **Assignee: Diversified Products Corpotion, Opelika, Ala.**

[**] **Term: 14 Years**

[21] **Appl. No.: 4,225**

[22] **Filed: Jan. 29, 1993**

[52] **U.S. Cl. D21/195**

[58] **Field of Search 482/92, 95, 97, 130, 482/129, 121; D21/191, 195**

4,645,205 2/1987 Wolff 482/139
4,796,881 1/1989 Watterson 482/130
4,834,396 5/1989 Schnell 482/97
5,211,617 5/1993 Millen 482/130

Primary Examiner—Bernard Ansher
Assistant Examiner—Philip Hyder
Attorney, Agent, or Firm—Banner, Birch, McKie & Beckett

[57] **CLAIM**

The ornamental design for a multi-purpose exercise machine, as shown and described.

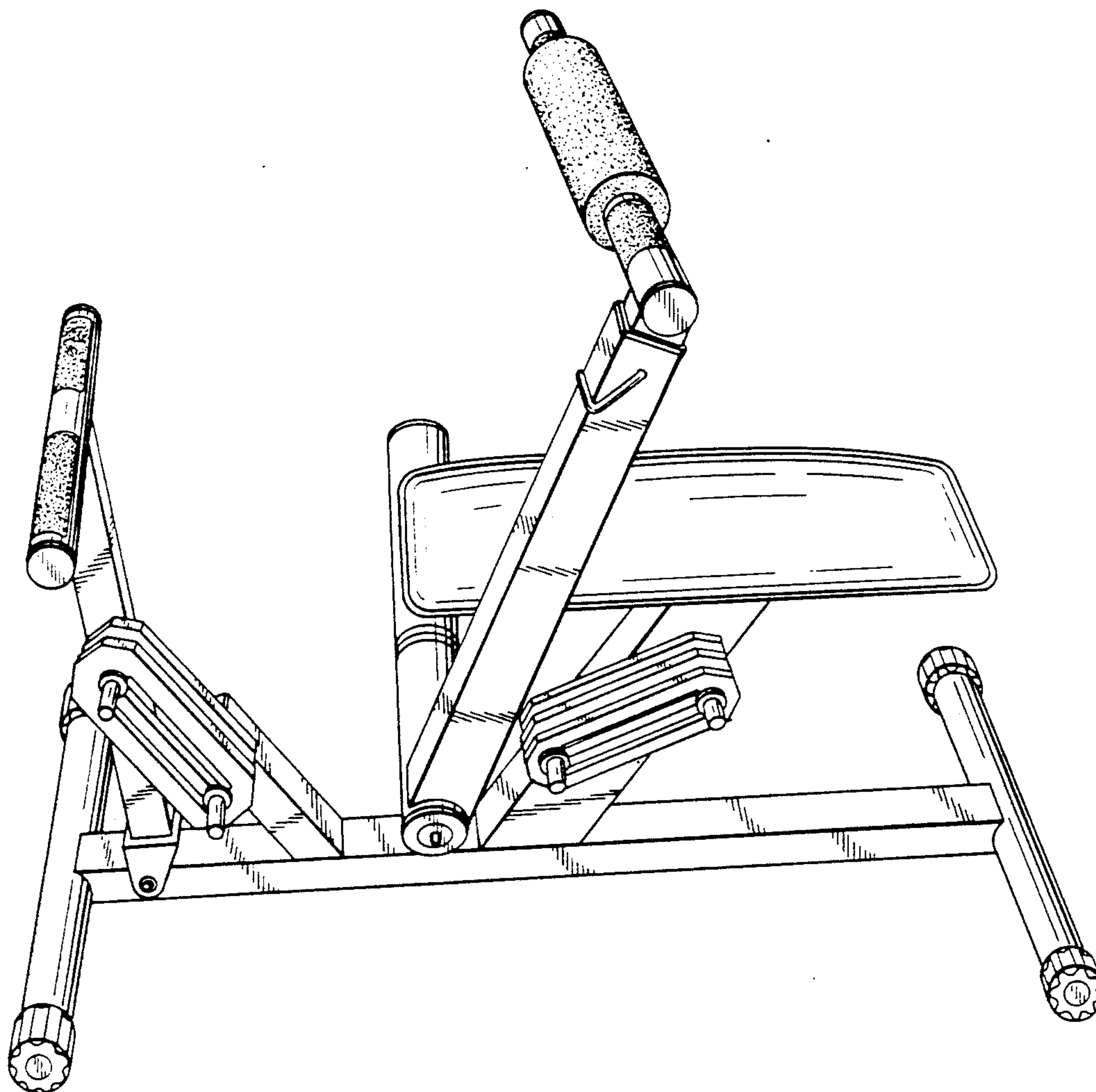
DESCRIPTION

FIG. 1 is a side, top perspective view of a multi-purpose exercise machine showing my new design;
FIG. 2 is a left side elevational view thereof;
FIG. 3 is a right side elevational view of the other side thereof;
FIG. 4 is a rear end elevational view thereof;
FIG. 5 is a front end elevational view thereof; and,
FIG. 6 is a top plan view thereof.

[56] **References Cited**

U.S. PATENT DOCUMENTS

D. 337,361 7/1993 Engel et al. D21/191
D. 337,800 7/1993 Shieh D21/195
3,558,131 1/1971 Dragon 482/130
4,422,636 12/1983 de Angeli 482/97
4,627,619 12/1986 Rockwell et al. 482/97
4,643,420 2/1987 Riley et al. 482/130



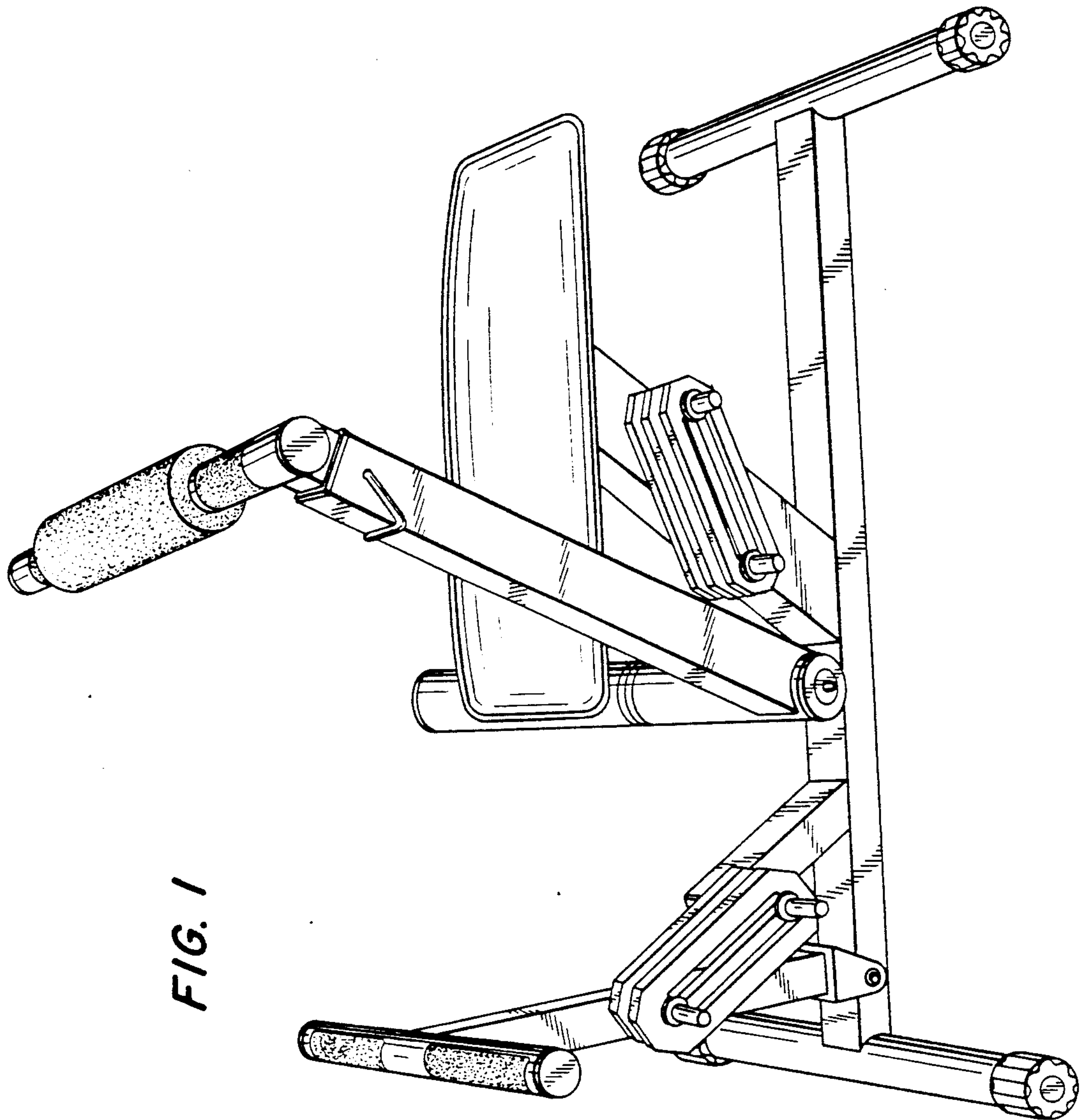


FIG. 1

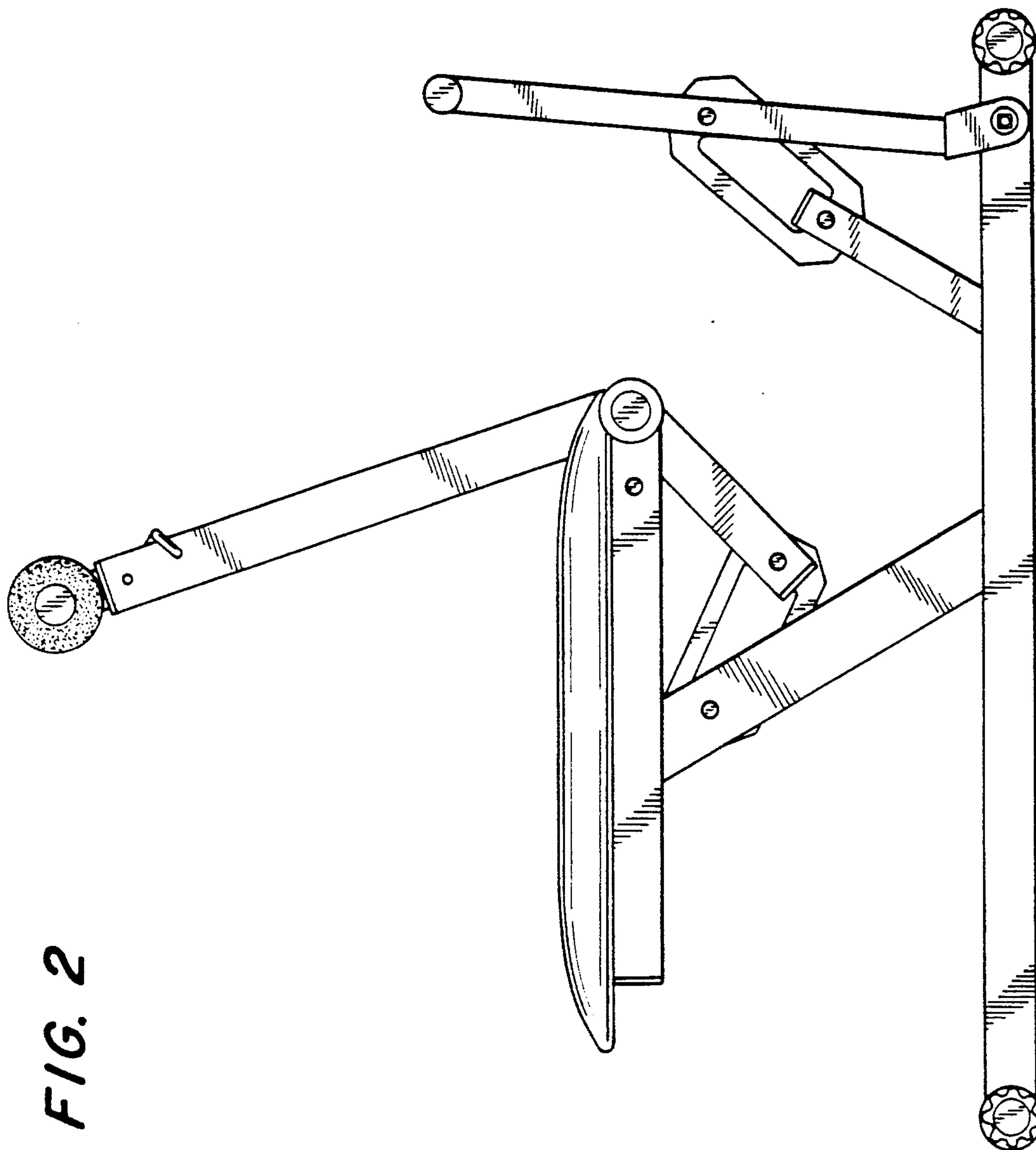


FIG. 2

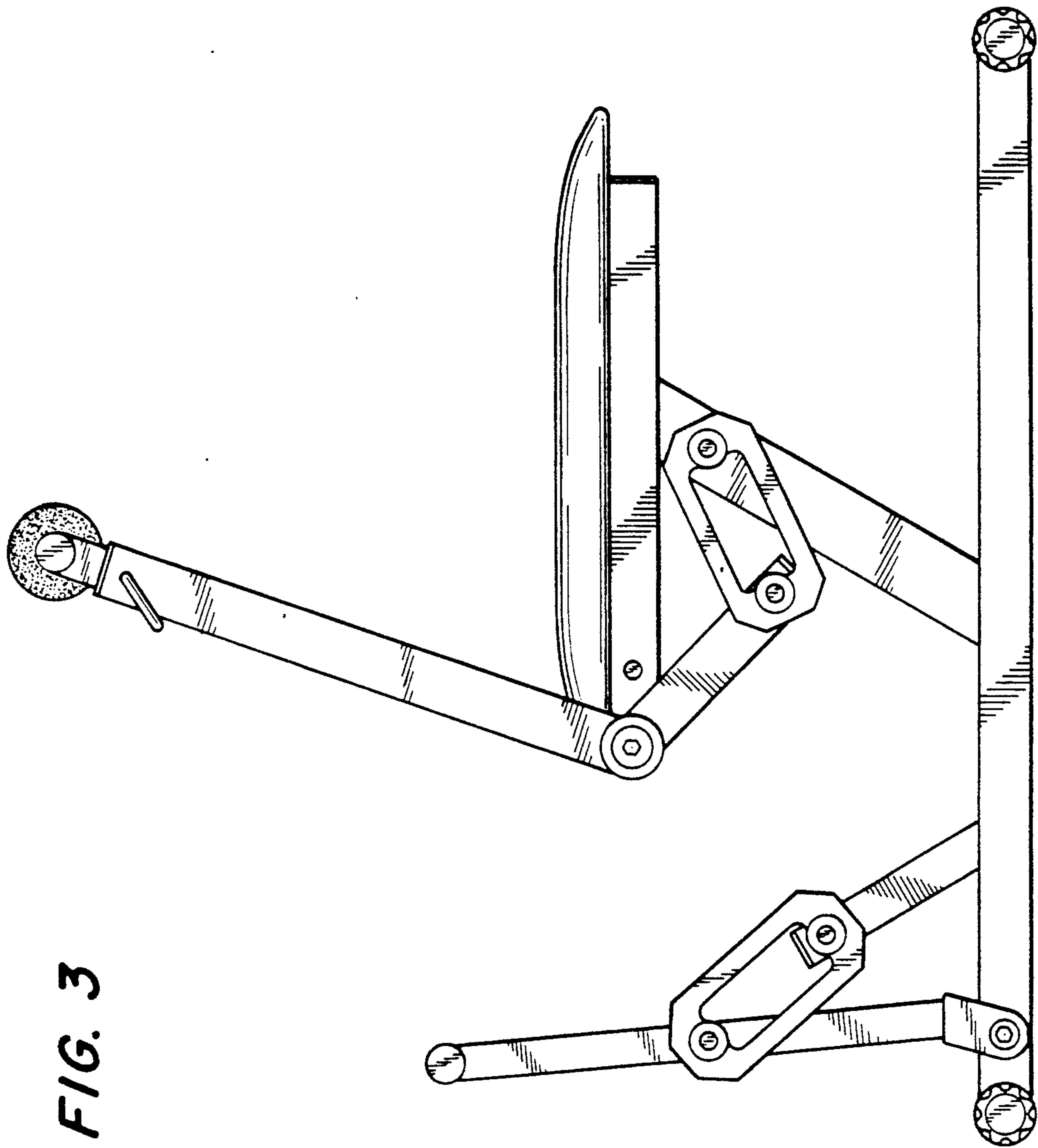


FIG. 3

FIG. 5

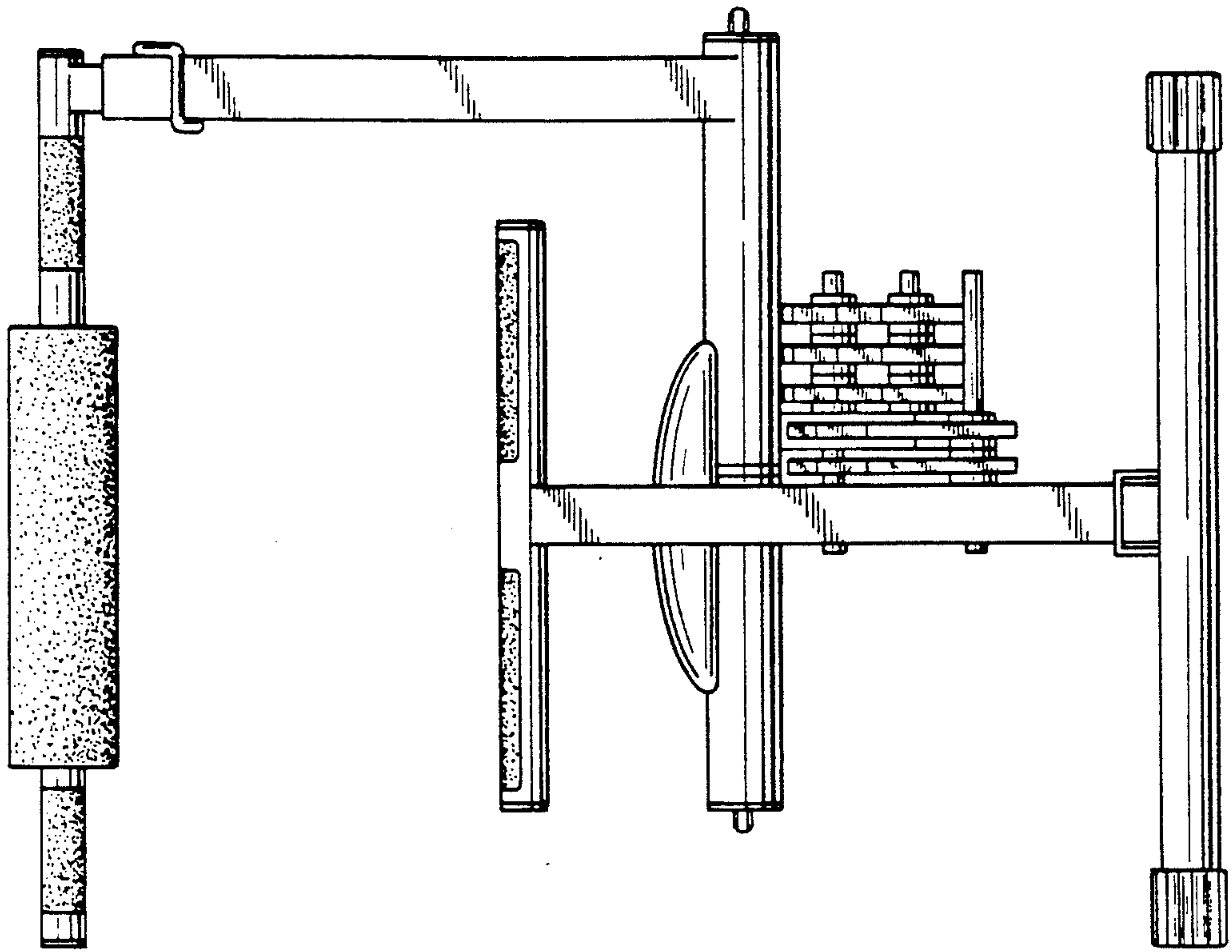


FIG. 4

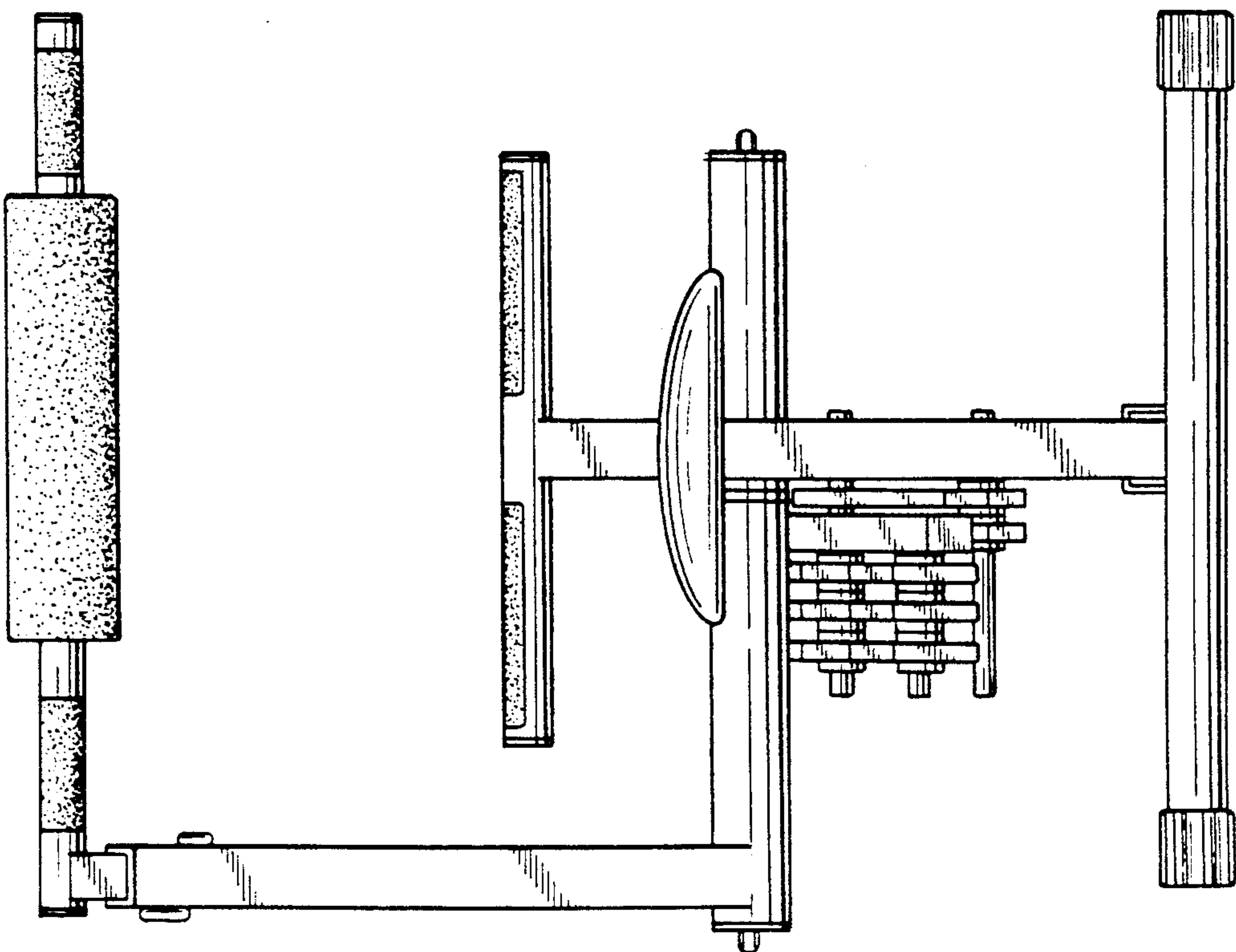


FIG. 6

