



US00D349139S

United States Patent [19] Markland

[11] Patent Number: **Des. 349,139**

[45] Date of Patent: **** Jul. 26, 1994**

[54] **PHYSICAL EXERCISE PLATFORM**

[75] Inventor: **Max C. Markland**, Gresham, Oreg.

[73] Assignee: **Joshua Group Ltd.**, Portland, Oreg.

[**] Term: **14 Years**

[21] Appl. No.: **878,881**

[22] Filed: **May 4, 1992**

[52] U.S. Cl. **D21/191**

[58] Field of Search **482/51, 71; D6/616, D6/596; D7/550; D21/191, 193**

4,940,226	7/1990	Carra	482/51
5,052,682	10/1991	Croce Jr. et al.	482/51
5,076,571	12/1991	Croce Jr. et al.	482/51
5,114,387	5/1992	Keppler	482/51
5,133,700	7/1992	Braathen	482/51

Primary Examiner—Bernard Ansher
Assistant Examiner—Philip Hyder
Attorney, Agent, or Firm—Kolisch Hartwell Dickinson McCormack & Heuser

[57] **CLAIM**

The ornamental design for a physical exercise platform, as shown.

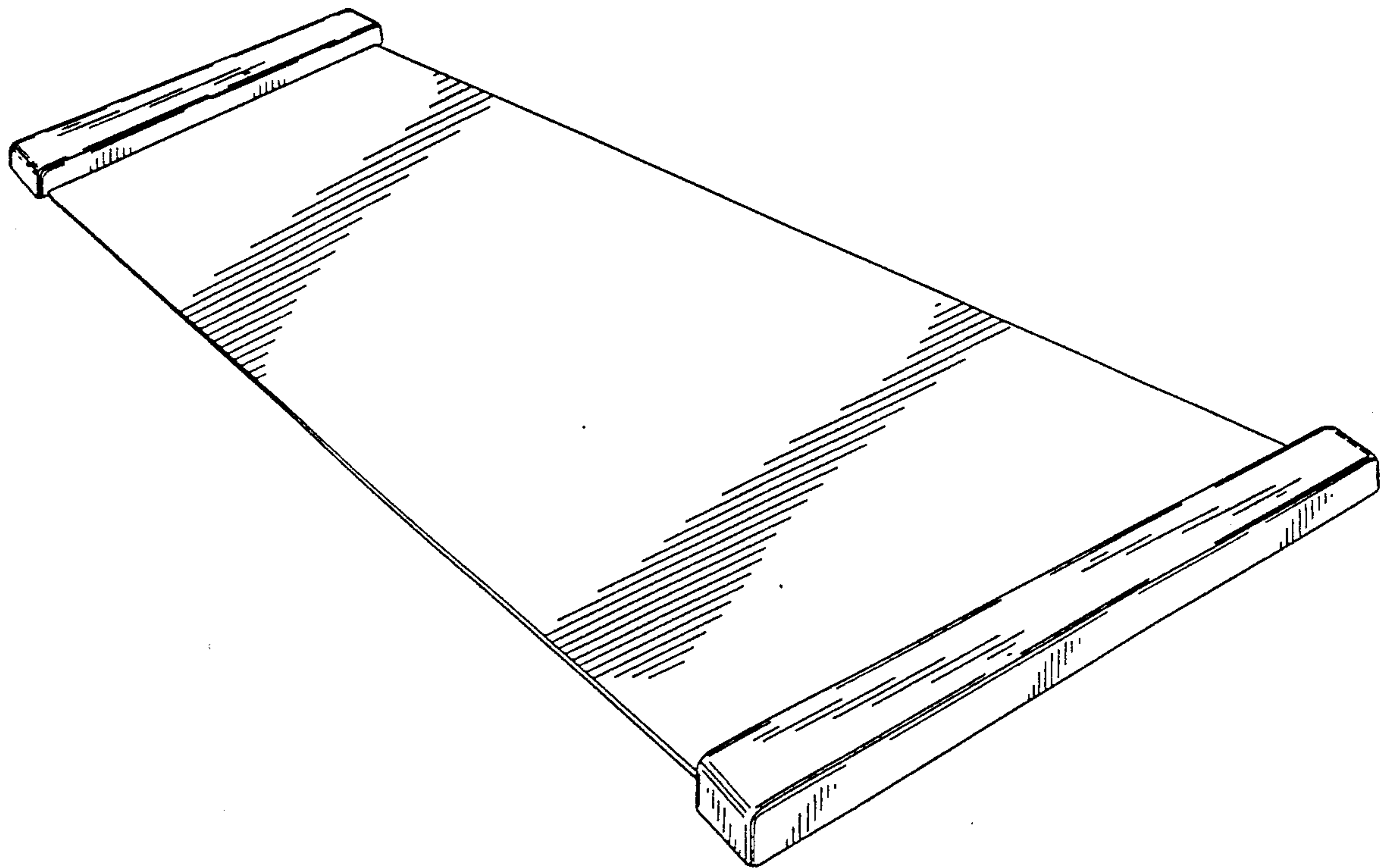
[56] **References Cited**

U.S. PATENT DOCUMENTS

D. 321,918	11/1991	Blanchard	D21/191
D. 330,922	11/1992	Novakoski	D21/191
2,842,365	7/1958	Kelley	482/51
3,468,536	9/1969	Minshull et al. .	
3,497,211	2/1970	Nagin .	
3,508,945	4/1970	Haemer et al. .	
3,756,595	9/1973	Hague	482/51
4,169,688	10/1979	Toshio	404/40
4,180,260	11/1979	Slagle	482/71
4,340,214	7/1982	Schutzer	482/51
4,438,003	3/1984	Nathaniel et al.	252/12
4,779,862	10/1988	Keppler	482/51
4,781,372	11/1988	McCormack	482/51
4,923,192	5/1990	Sawdon	482/51

DESCRIPTION

FIG. 1 is a perspective view of a physical exercise platform showing my new design;
FIG. 2 is a side-elevational view thereof;
FIG. 3 is a rear-elevational view thereof;
FIG. 4 is a top view thereof;
FIG. 5 is a front-elevational view thereof;
FIG. 6 is a bottom view thereof;
FIG. 7 is a perspective view of a second embodiment of my design;
FIG. 8 is a side-elevational view thereof;
FIG. 9 is a rear-elevational view thereof;
FIG. 10 is a top view thereof;
FIG. 11 is a front-elevational view thereof; and,
FIG. 12 is a bottom view thereof.



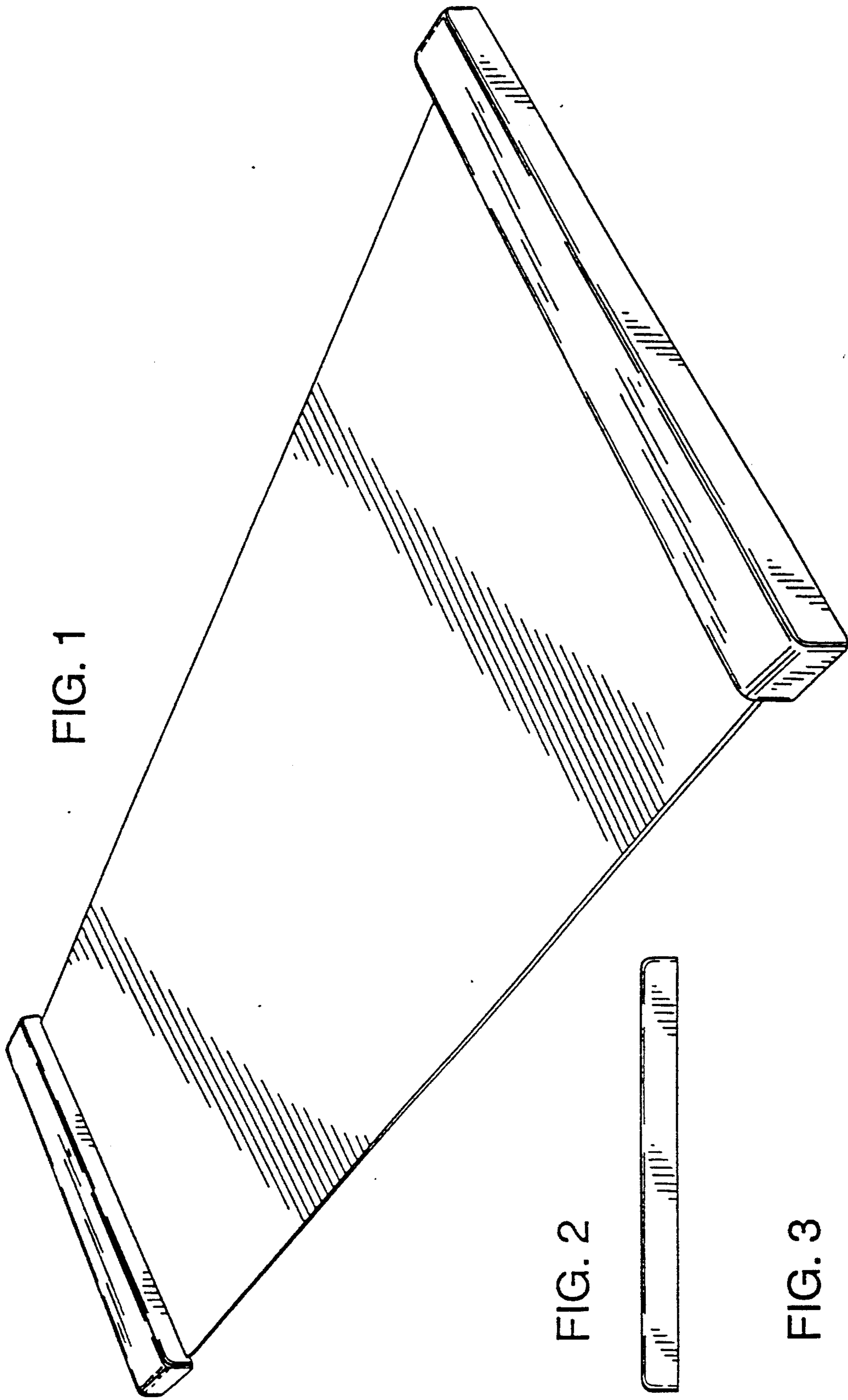


FIG. 1



FIG. 2



FIG. 3

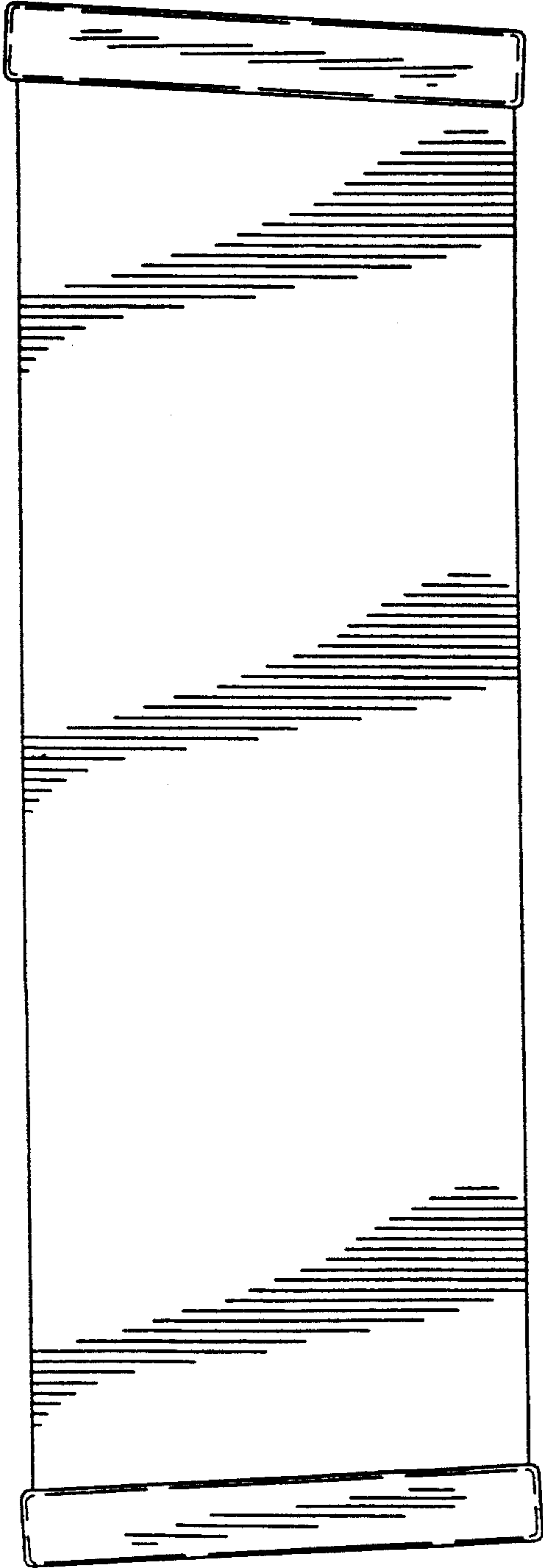


FIG. 4



FIG. 5

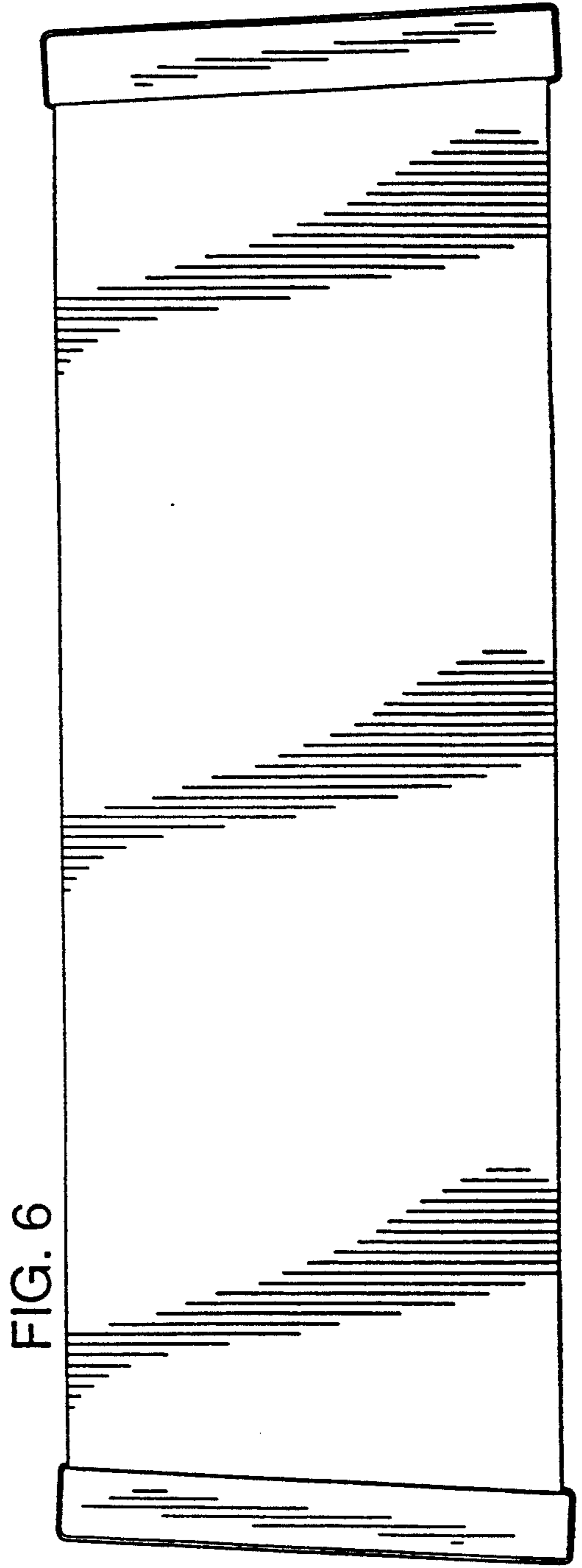


FIG. 6

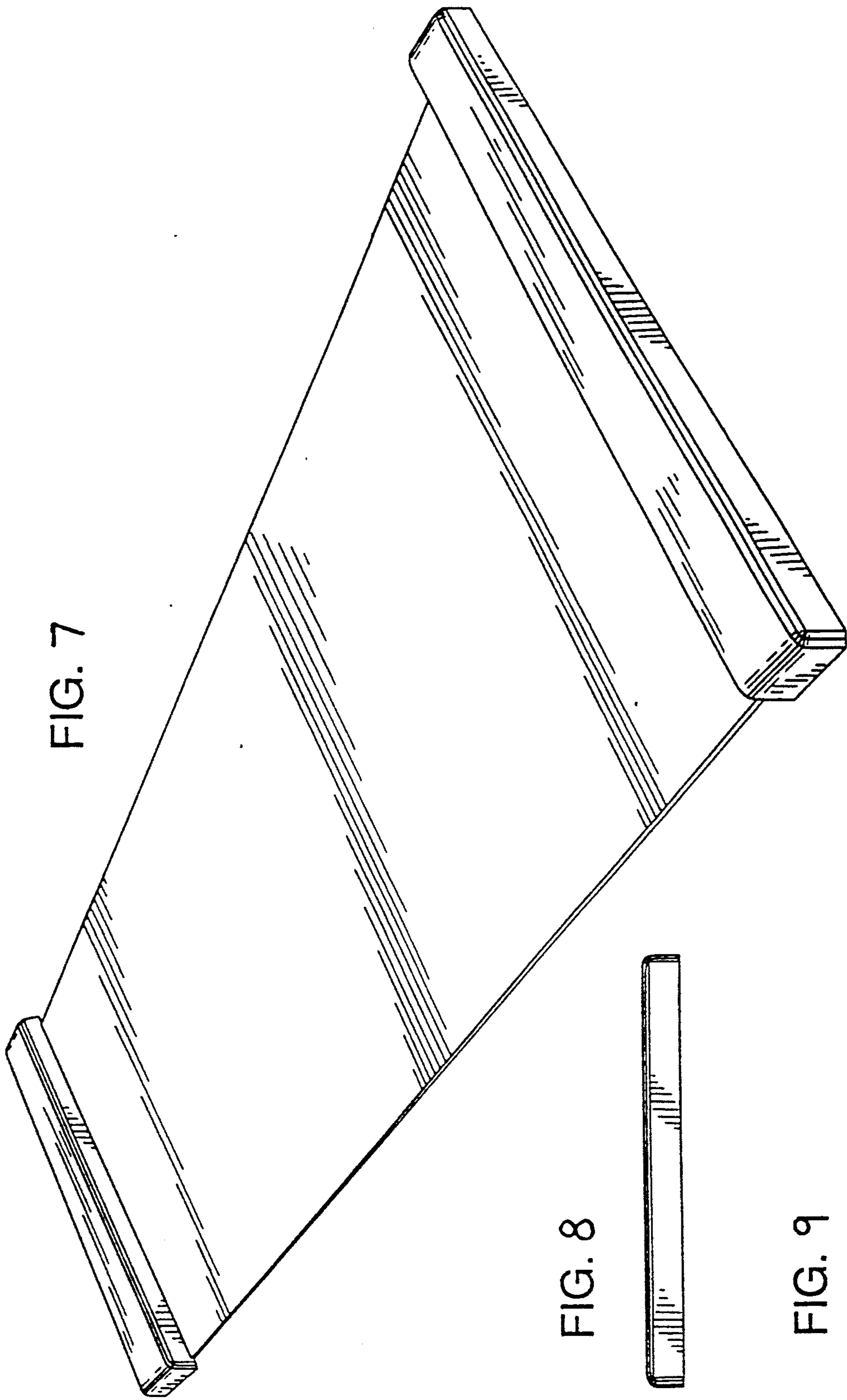


FIG. 7



FIG. 8



FIG. 9

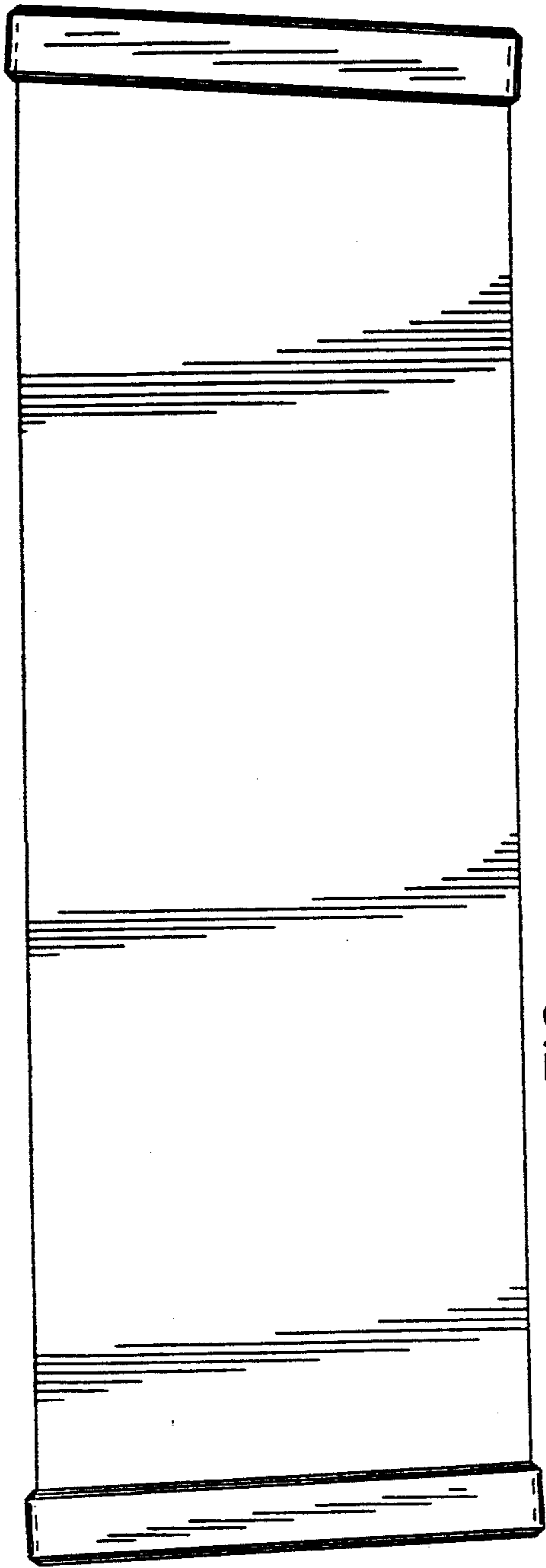


FIG. 10



FIG. 11

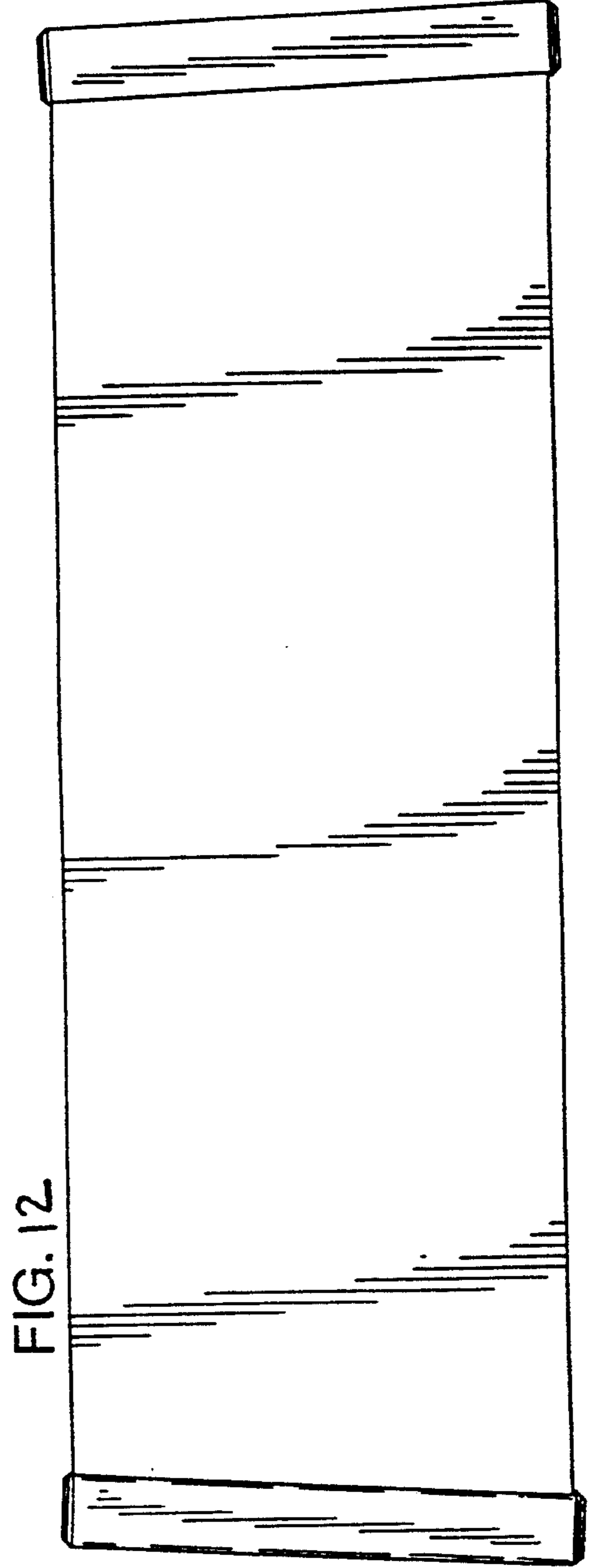


FIG. 12