



US00D349135S

United States Patent [19] Strayer

[11] Patent Number: Des. 349,135
[45] Date of Patent: ** Jul. 26, 1994

[54] POUNDING TOY

[75] Inventor: Mark A. Strayer, Alliance, Ohio
[73] Assignee: The Little Tikes Company, Hudson, Ohio
[**] Term: 14 Years
[21] Appl. No.: 6,203
[22] Filed: Mar. 18, 1993
[52] U.S. Cl. D21/103; D21/59
[58] Field of Search 446/1; D21/59, 103

[56] References Cited

U.S. PATENT DOCUMENTS

D. 197,656	3/1964	Markham	D21/103
D. 223,847	6/1972	Laughlin	D21/59 X
D. 233,850	12/1974	Nielsen	D21/103 X
D. 269,196	5/1983	Appel et al.	D21/59 X
1,555,993	10/1925	Larson	.	
2,403,522	7/1946	Goldstein et al.	.	
2,540,061	1/1951	Szantay	.	
2,646,646	7/1953	Glass	.	
2,768,471	10/1956	Fusselman	.	
2,774,179	12/1956	Zalkind	.	
2,837,862	6/1958	Cleveland	.	
2,871,618	2/1959	Reynolds	.	
3,138,894	6/1964	Reaux	.	

OTHER PUBLICATIONS

P. 59, Benches; Playskool, Inc., A Division of Hasbro, Inc., 1027 Newport Ave., P.O. Box 1059, Pawtucket, R.I. 02862-1059. Publication date 1988.
P. 37, Bench; Fisher Price, 620 Girard Avenue, East Aurora, N.Y. 14052-1879. Publication date 1990.
Pp. 11, 13 and 14, Benches; Constructive Playthings, 1227 East 119th St., Grandview, Mo. 64030. Publication date 1987-1988.

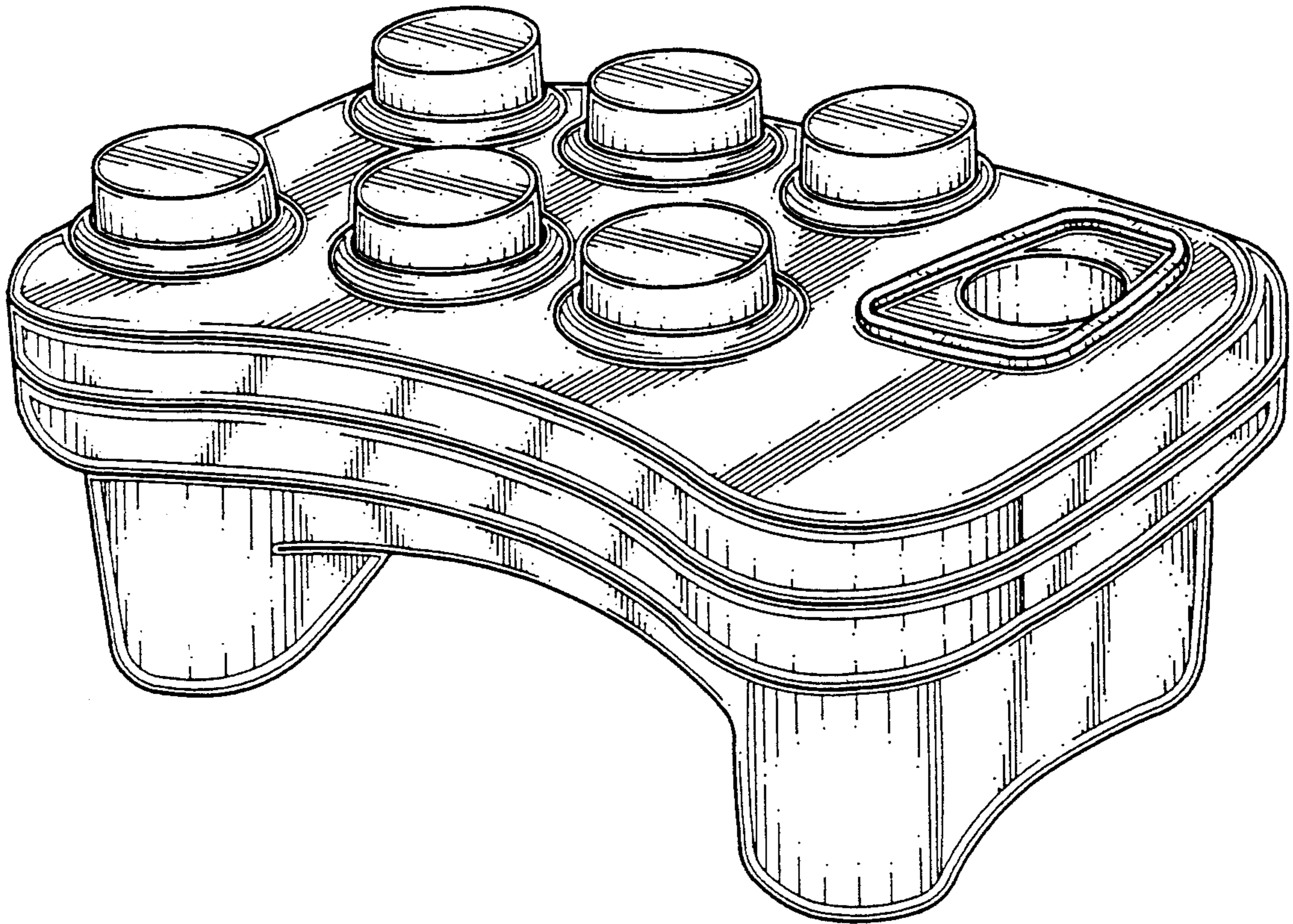
Primary Examiner—Bernard Ansher
Assistant Examiner—Dominic Simone
Attorney, Agent, or Firm—Richard B. O'Planick; Lisa B. Riedesel

[57] CLAIM

The ornamental design for a pounding toy, as shown and described.

DESCRIPTION

FIG. 1 is a top left front perspective view of a pounding toy showing my new design;
FIG. 2 is a top plan view thereof;
FIG. 3 is a bottom plan view thereof;
FIG. 4 is a left side elevational view thereof;
FIG. 5 is a right side elevational view thereof;
FIG. 6 is a front elevational view thereof; and,
FIG. 7 is a rear elevational view thereof.



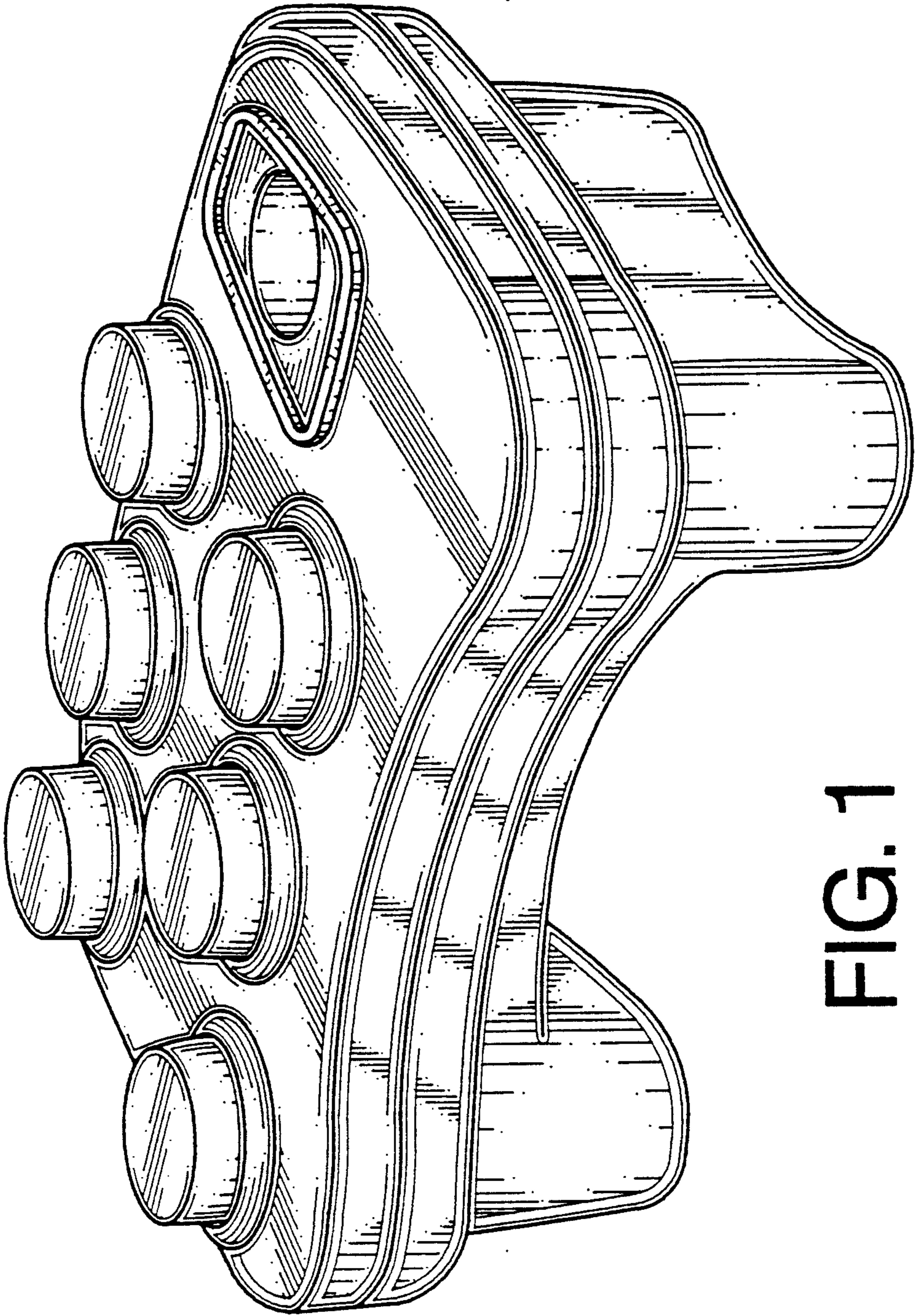


FIG. 1

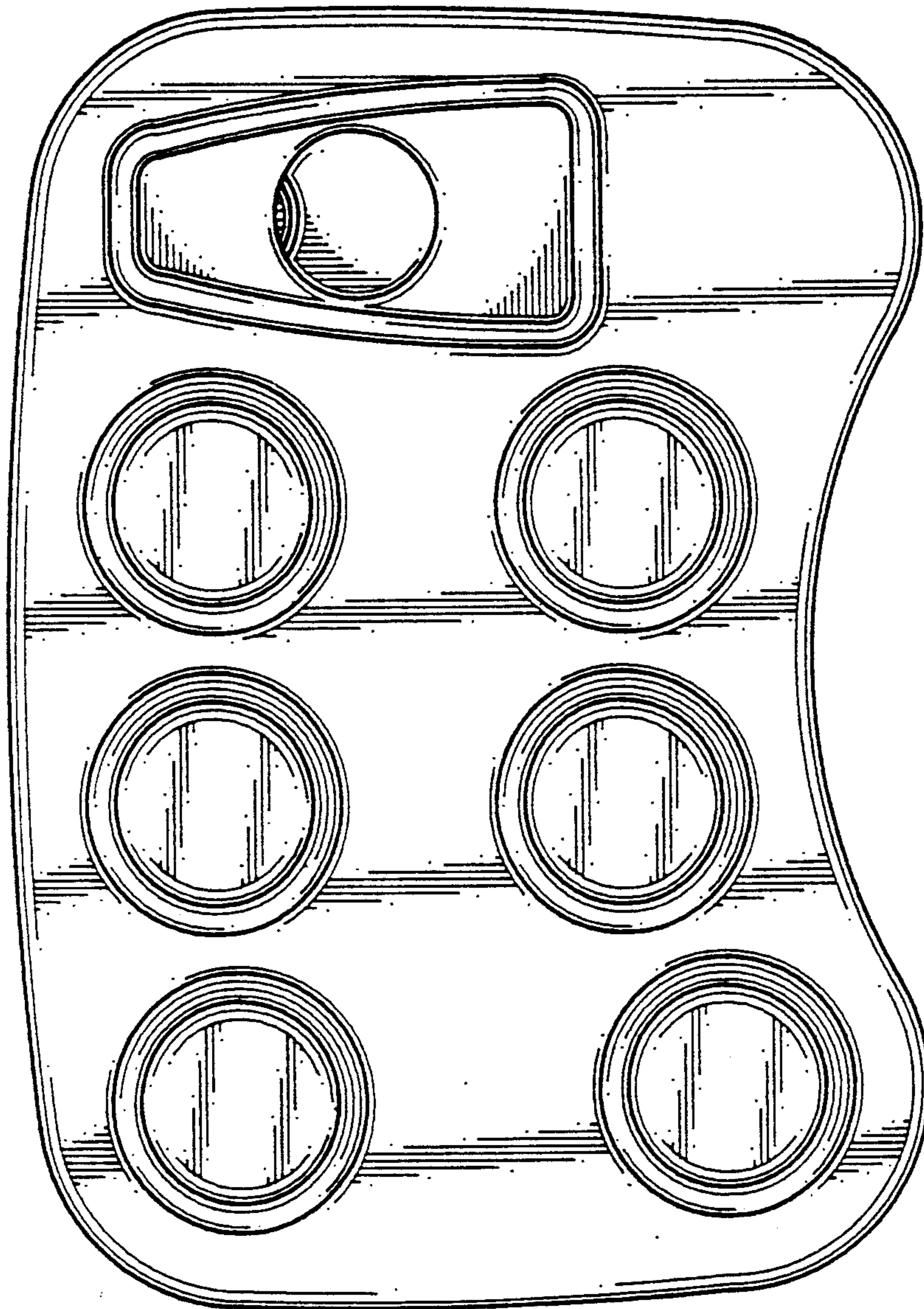


FIG. 2

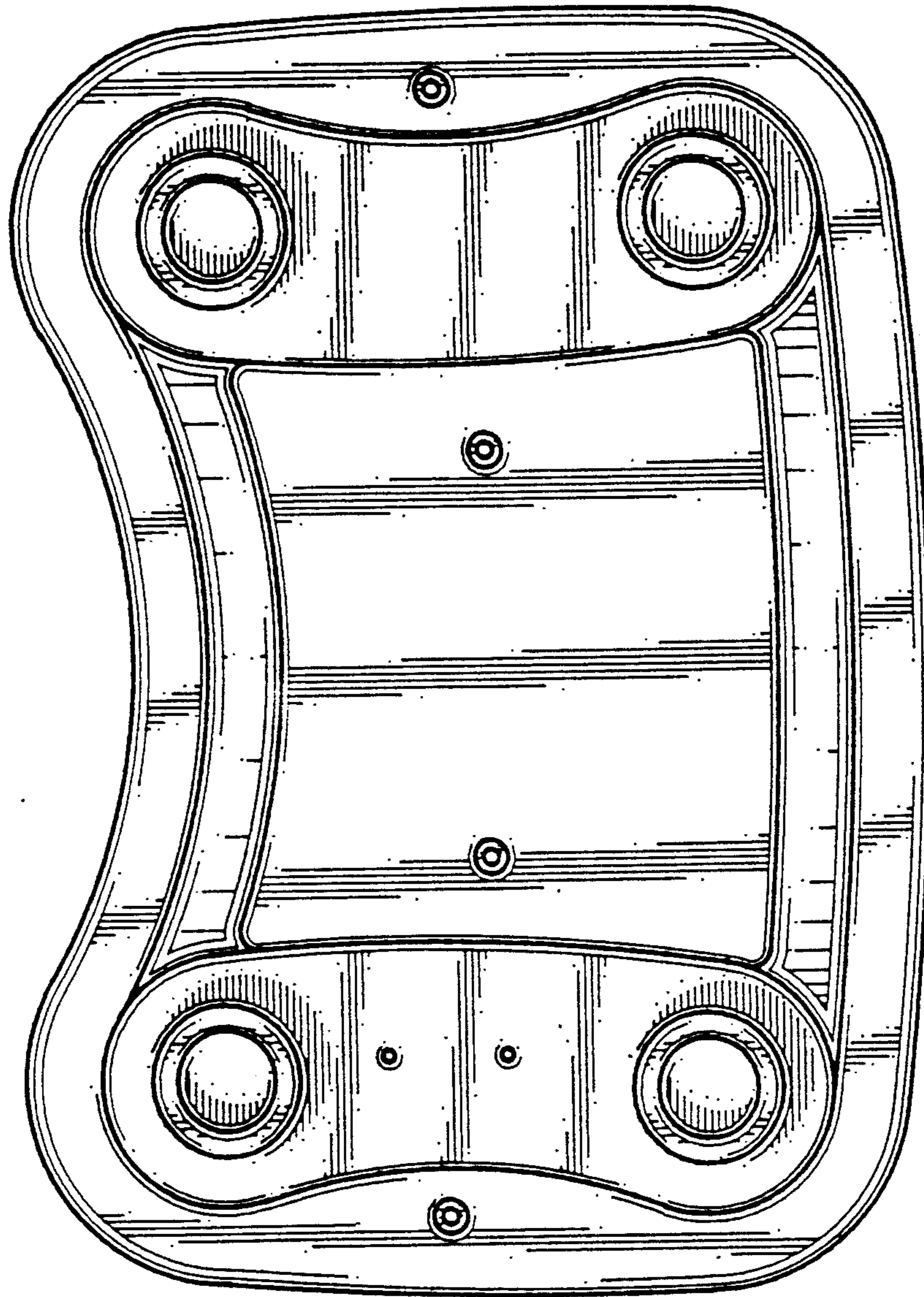


FIG. 3

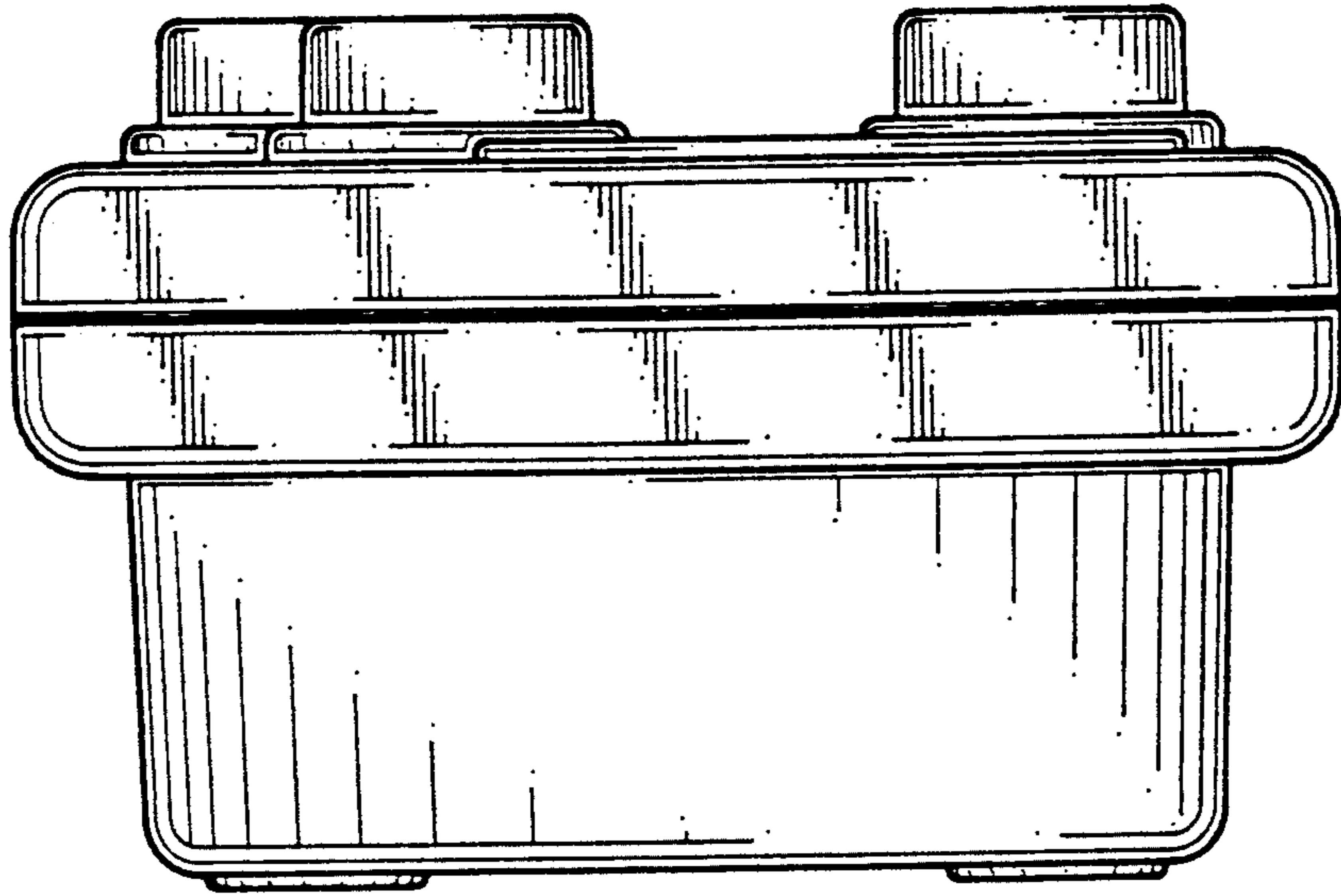


FIG. 4

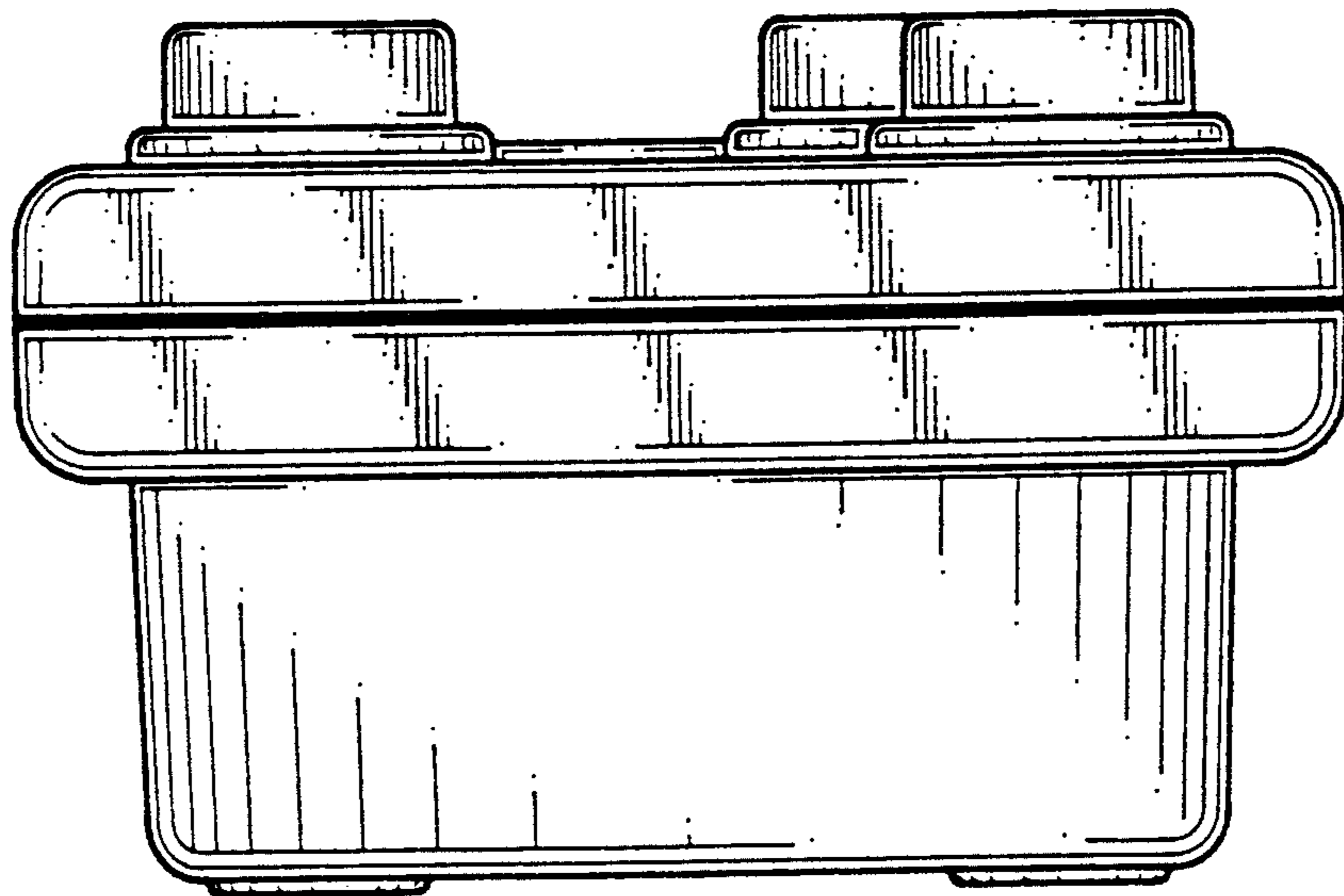


FIG. 5

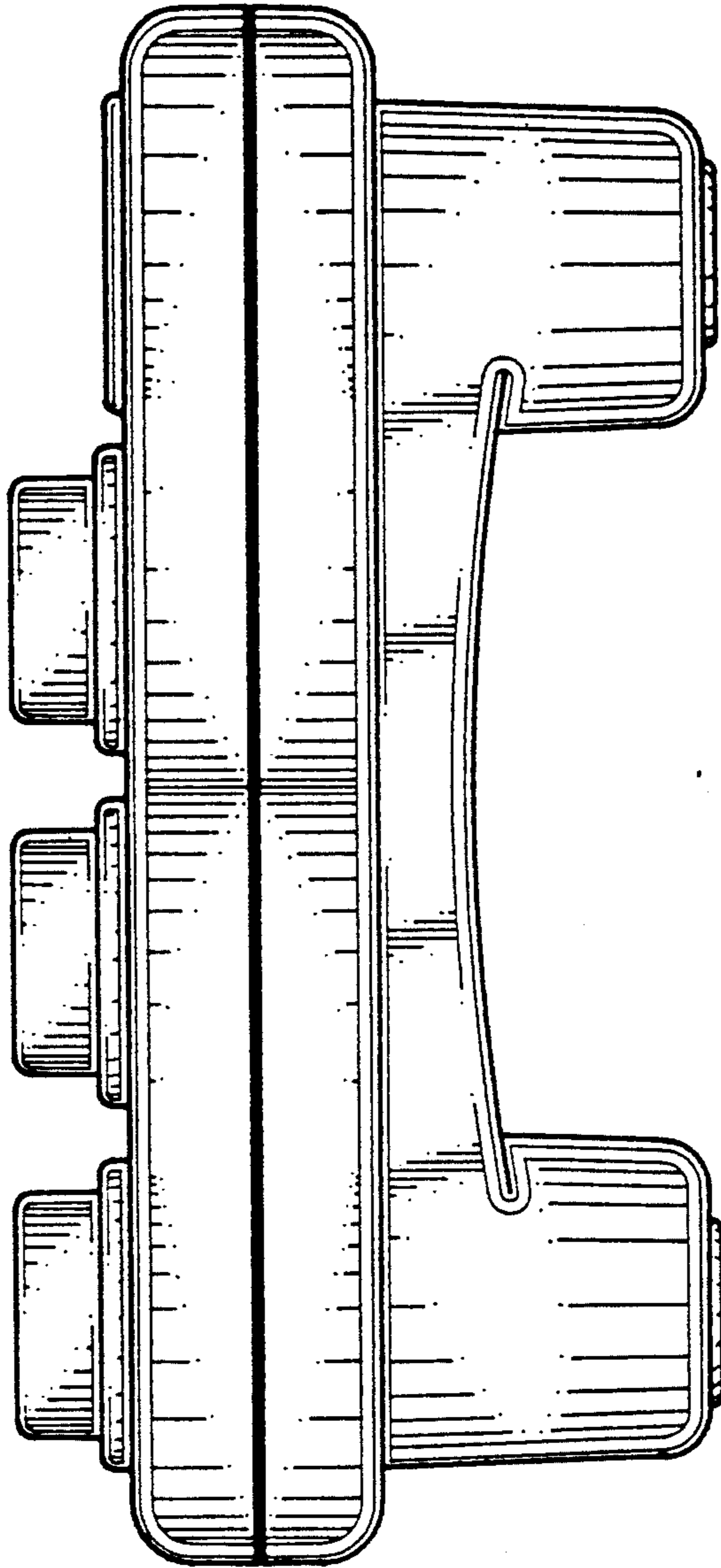


FIG. 6

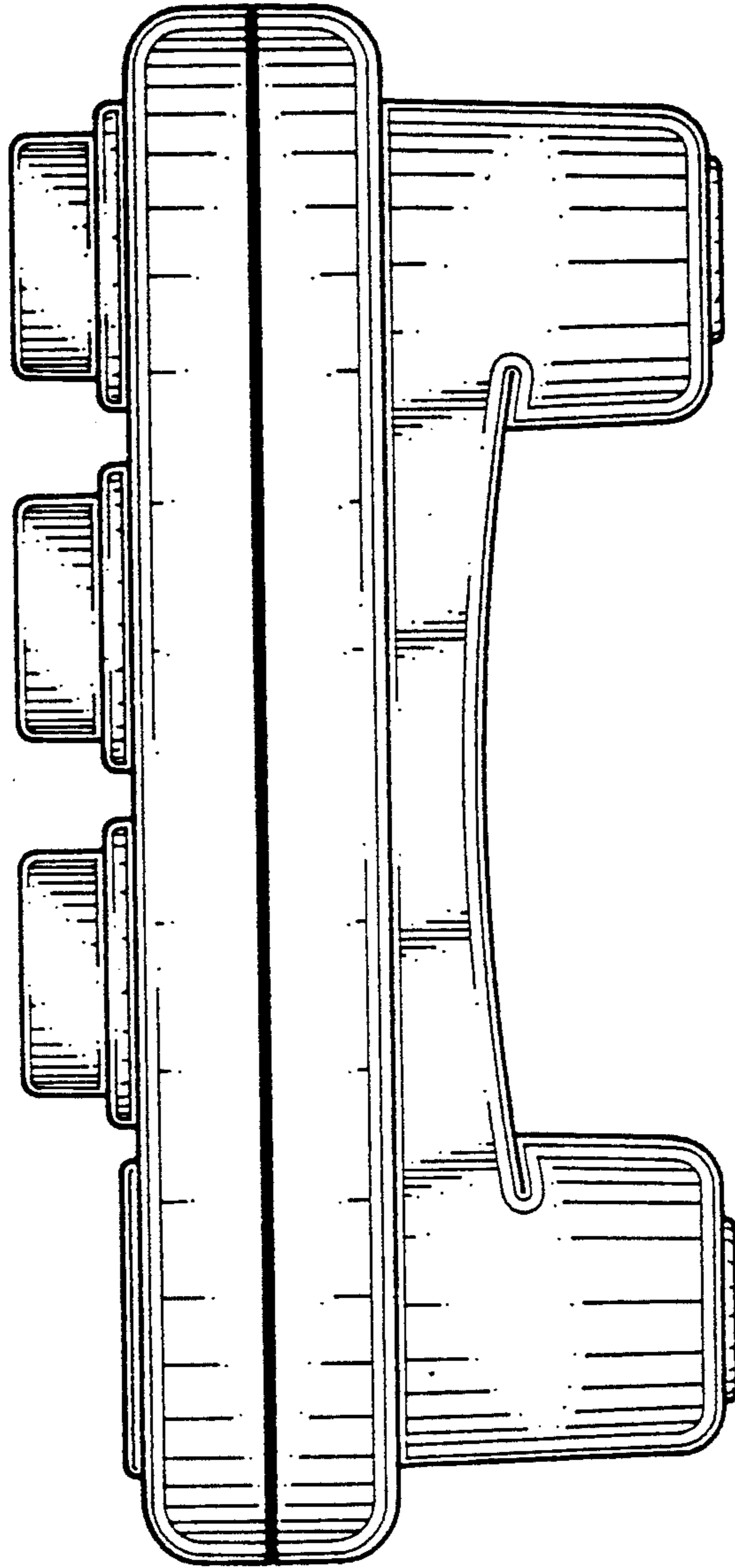


FIG. 7