



US00D349128S

United States Patent [19]

[11] Patent Number: **Des. 349,128**

Akioka et al.

[45] Date of Patent: **** Jul. 26, 1994**

[54] **SHEET COUNTER**

[75] Inventors: **Takao Akioka, Sanda; Akio Funato,**
Kyoto, both of Japan

[73] Assignee: **Laurel Bank Machines Co., Ltd.,**
Tokyo, Japan

[**] Term: **14 Years**

[21] Appl. No.: **866,523**

[22] Filed: **Apr. 9, 1992**

[30] **Foreign Application Priority Data**

Oct. 21, 1991 [JP]	Japan	3-31820
[52] U.S. Cl.	D18/46	
[58] Field of Search	194/215-218;	
		235/89 R; 271/278; D10/97; D14/110-114;	
		D18/3, 36-44, 49	

[56] **References Cited**

U.S. PATENT DOCUMENTS

D. 252.074	6/1979	Hams	D10/97
D. 266.004	8/1982	Onda et al.	D18/3
D. 278.831	5/1985	Bressler et al.	D18/3

OTHER PUBLICATIONS

Vending Times, Sep. 1987, p. 34.

Primary Examiner—Alan P. Douglas
Assistant Examiner—Robert M. Spear
Attorney, Agent, or Firm—Keck, Mahin & Cate

[57] **CLAIM**

The ornamental design for a sheet counter, as shown and described.

DESCRIPTION

FIG. 1 is a front side perspective view of a sheet counter showing our design;
 FIG. 2 is a front view thereof;
 FIG. 3 is a rear view thereof;
 FIG. 4 is a right side view thereof;
 FIG. 5 is a left side view thereof;
 FIG. 6 is a top plan view thereof;
 FIG. 7 is a bottom plan view thereof;
 FIG. 8 is a front perspective view thereof showing lids being opened for counting sheets;
 FIG. 9 is a front view thereof showing lids being opened for counting sheets;
 FIG. 10 is a rear view thereof showing lids being opened for counting sheets;
 FIG. 11 is a right side view thereof showing lids being opened for counting sheets;
 FIG. 12 is a left side view thereof showing lids being opened for counting sheets; and,
 FIG. 13 is a top plan view thereof showing lids being opened for counting sheets.

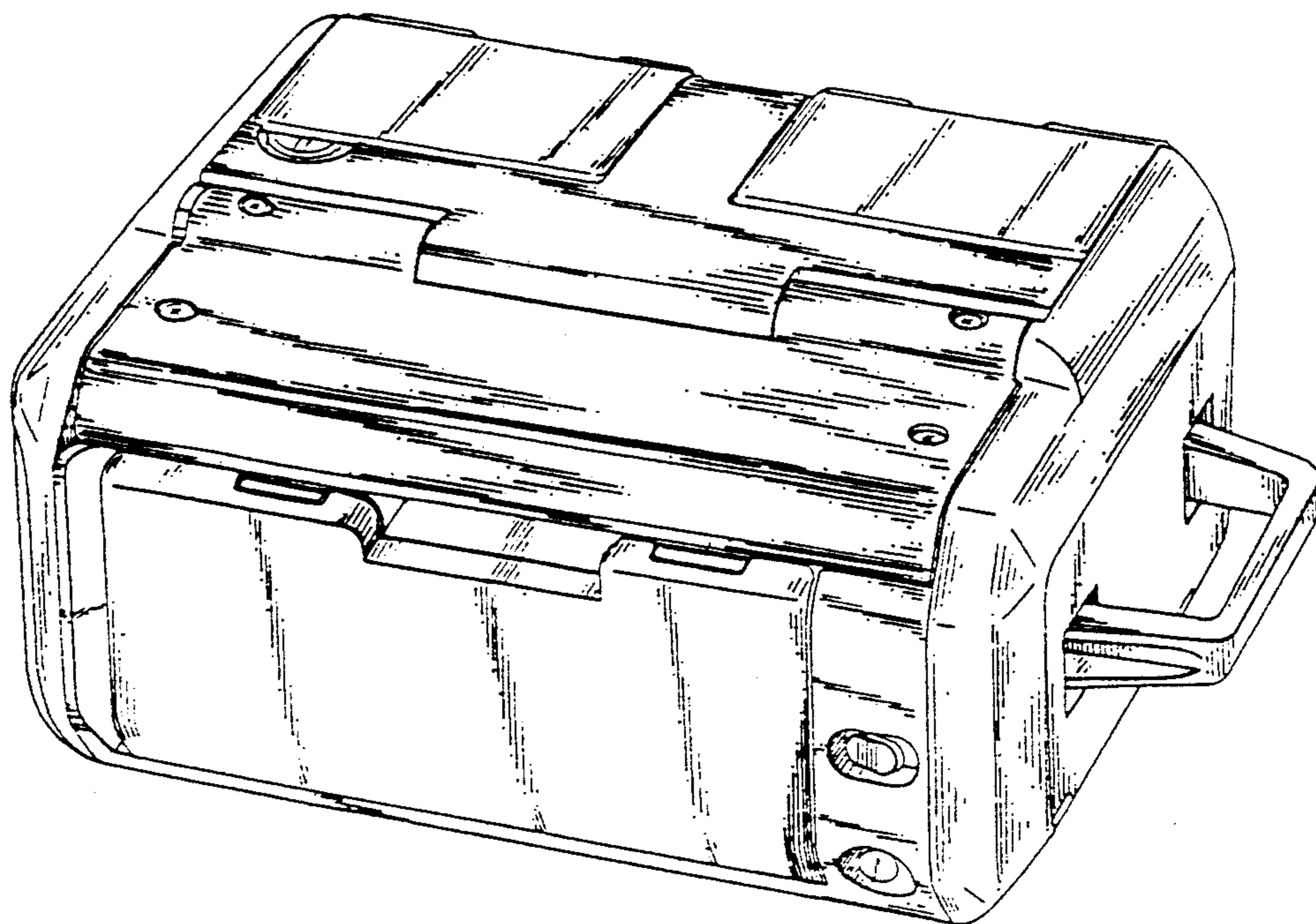


FIG.1

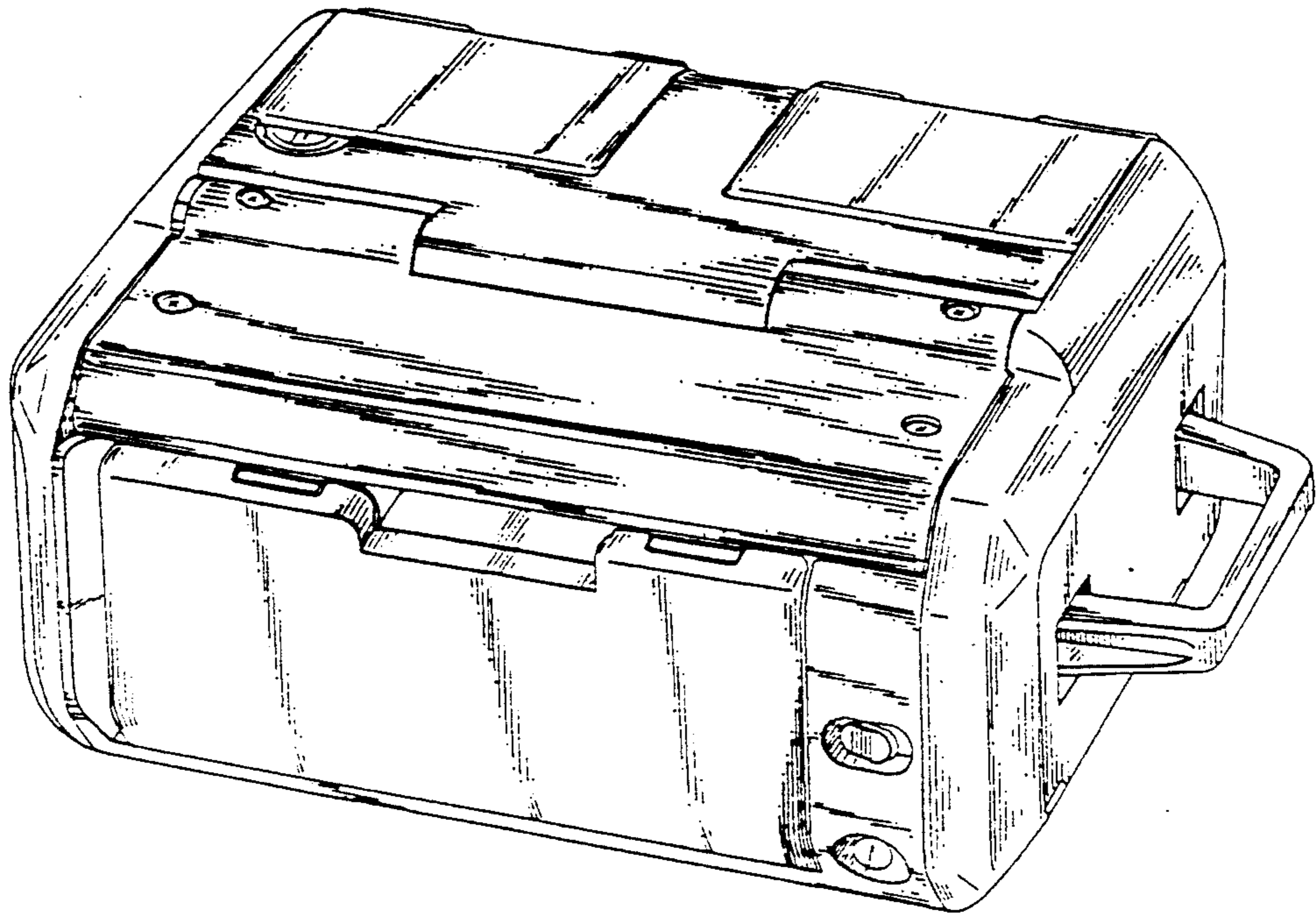


FIG.2

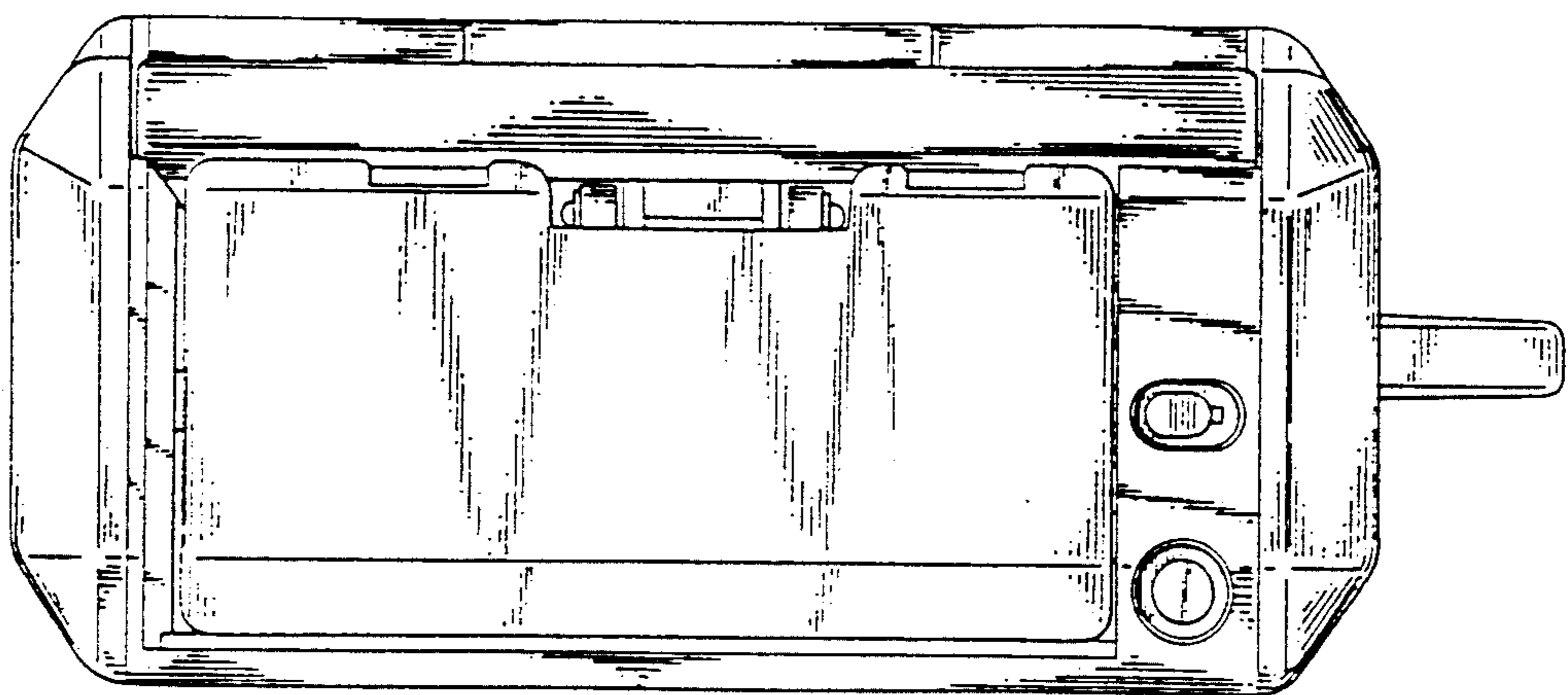


FIG.3

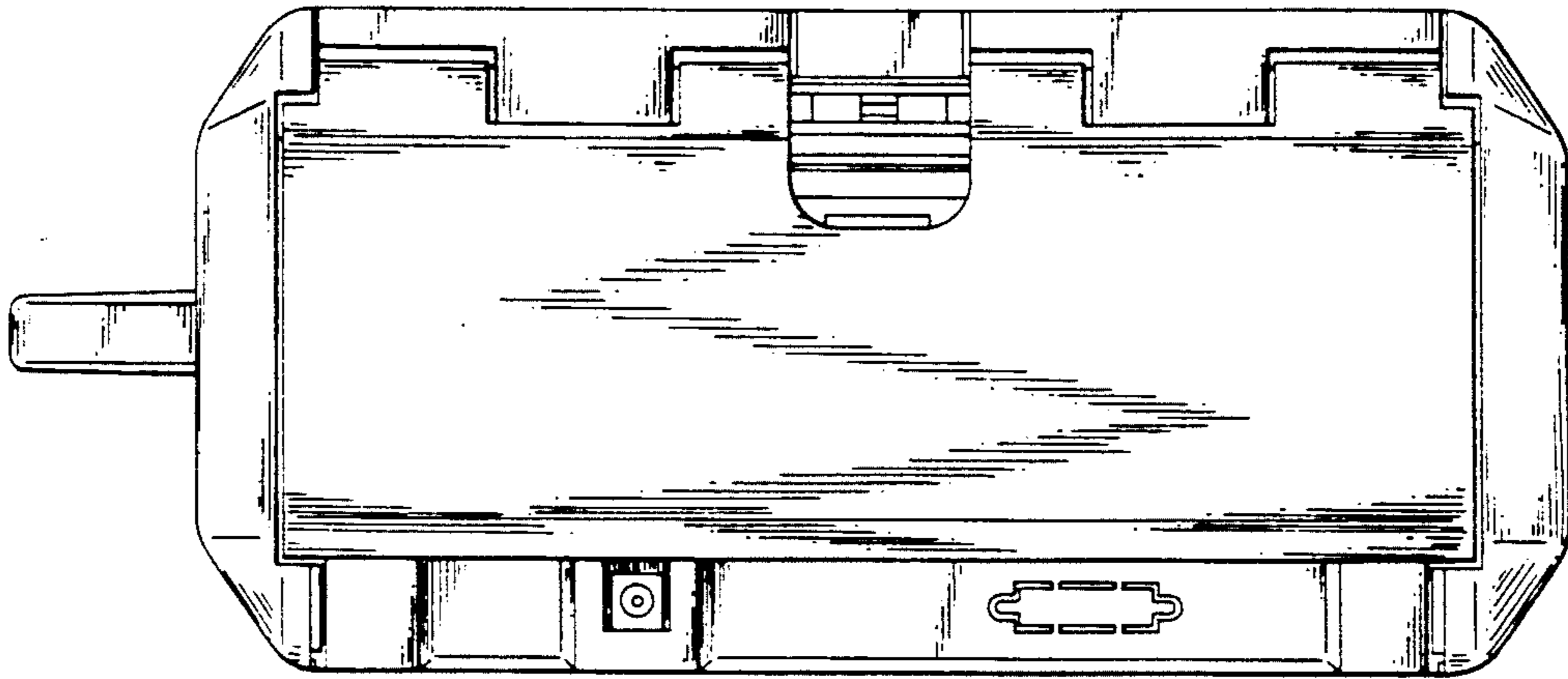


FIG.4

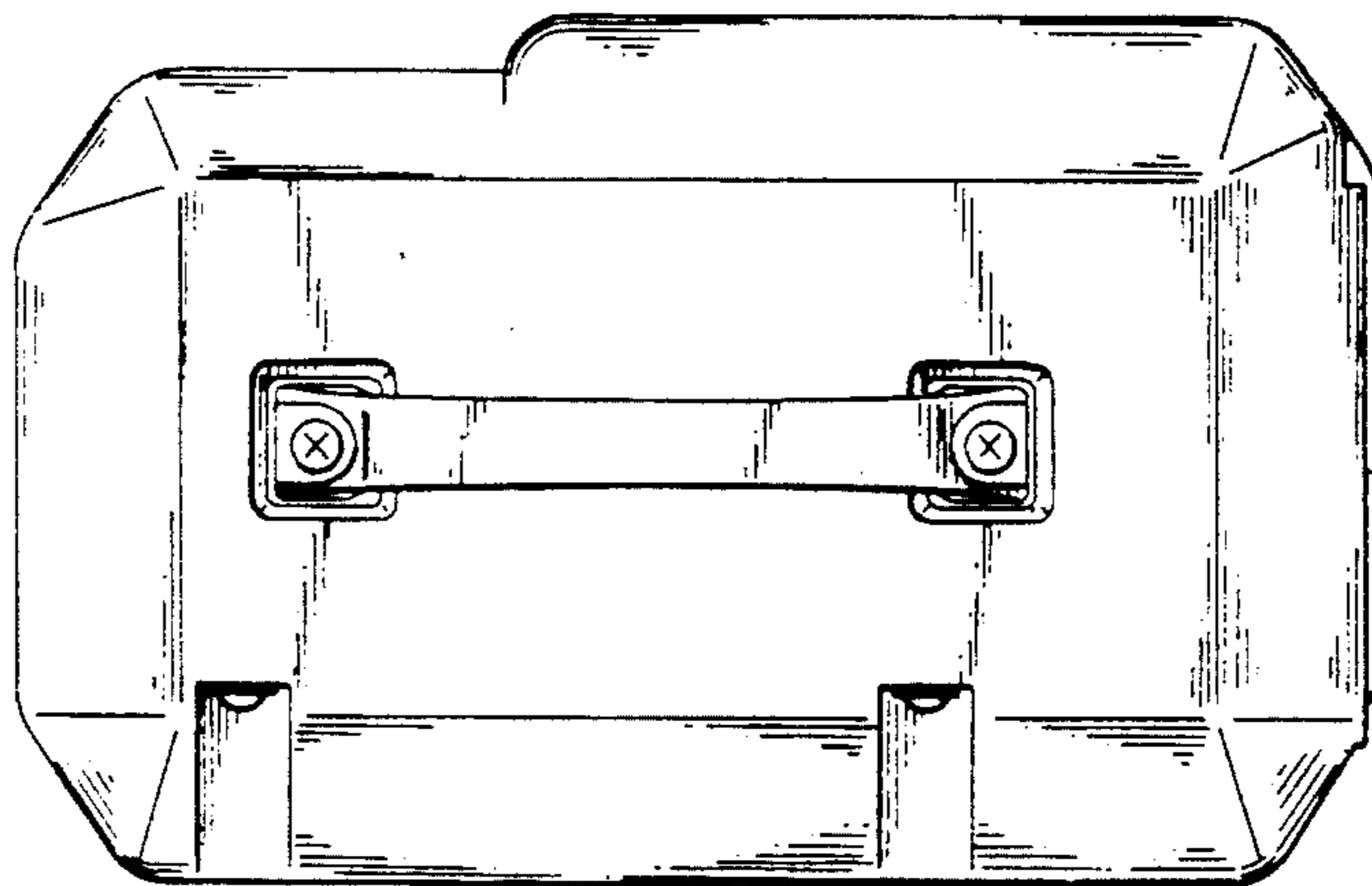


FIG.5

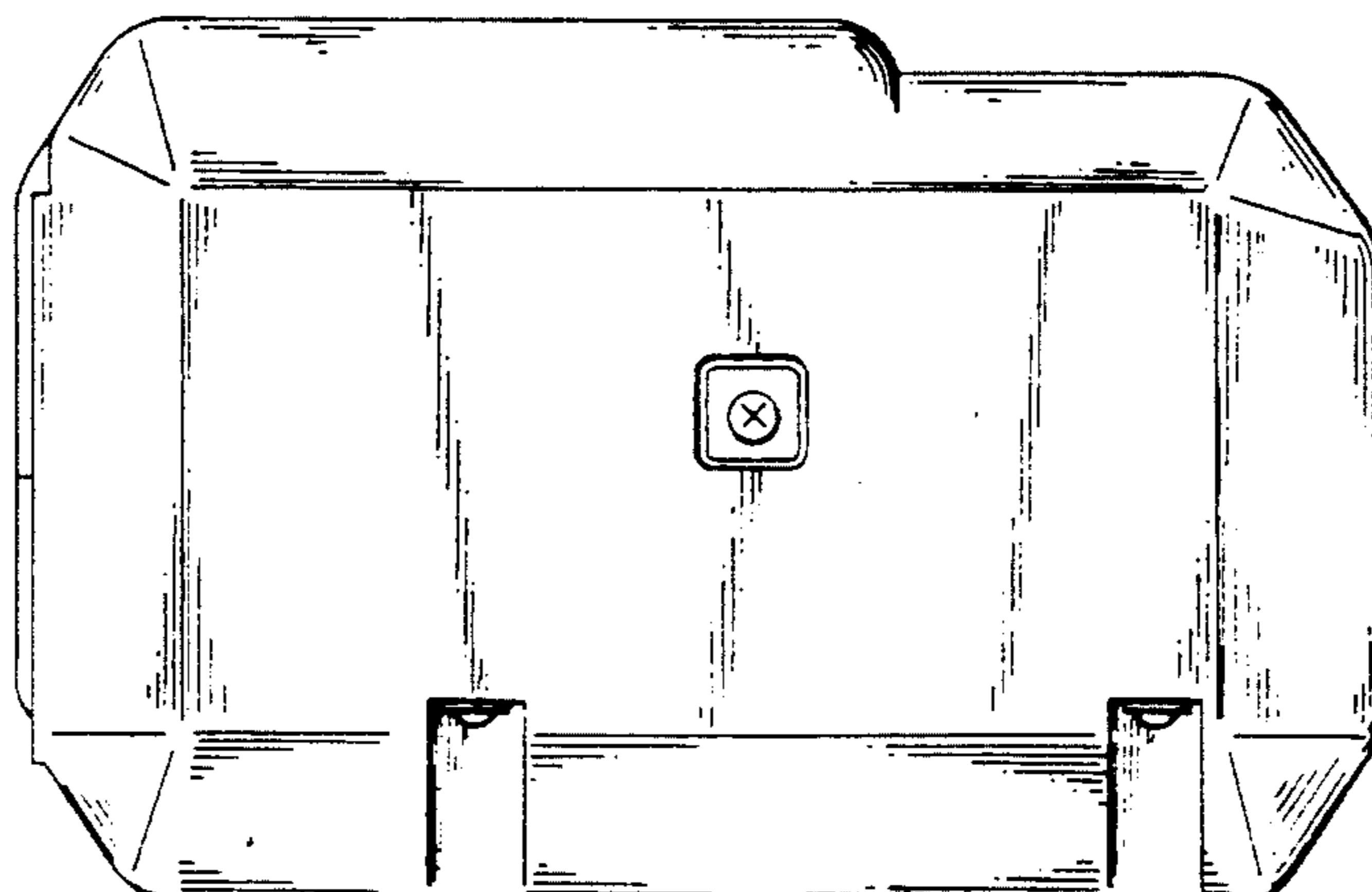


FIG.6

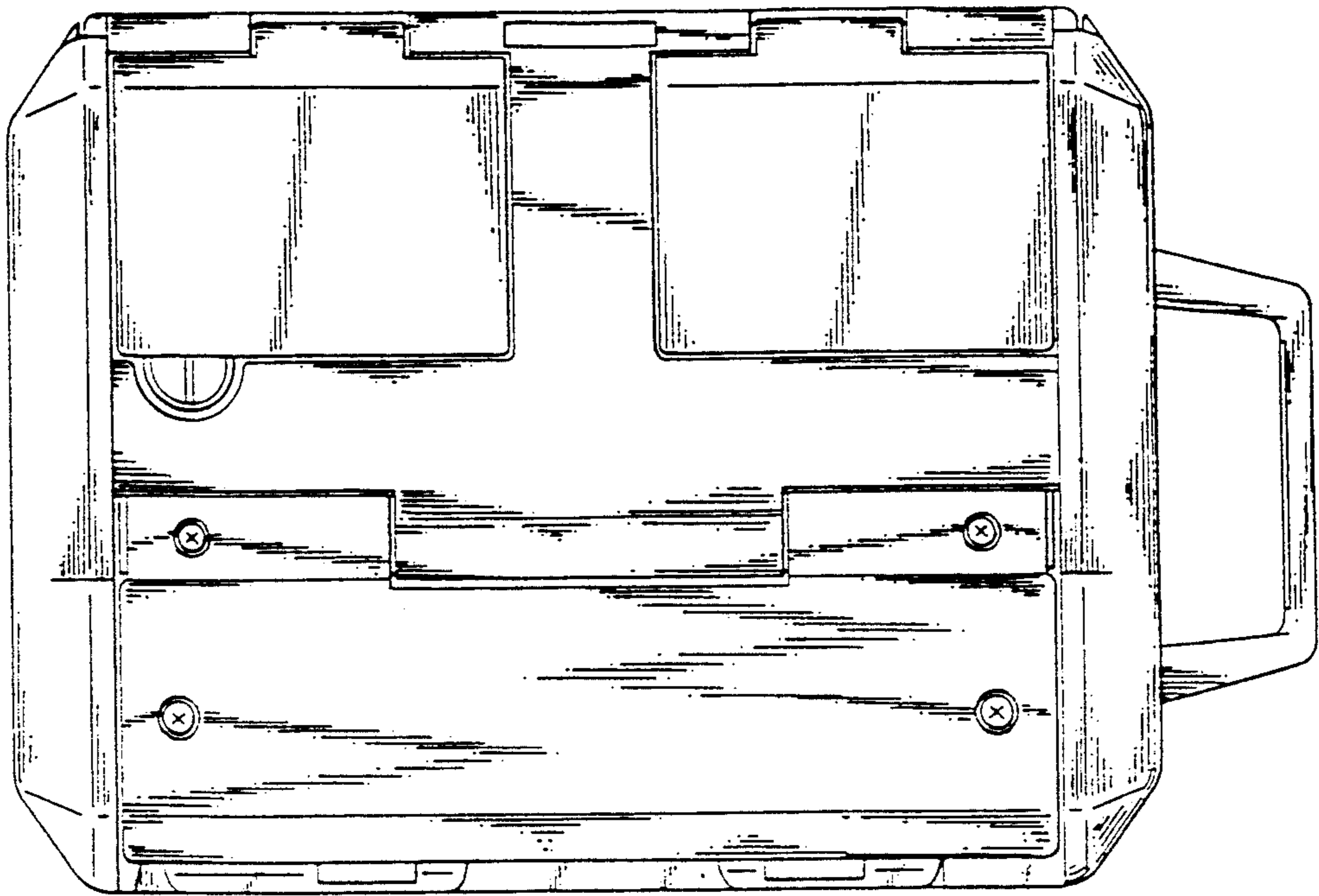


FIG.7

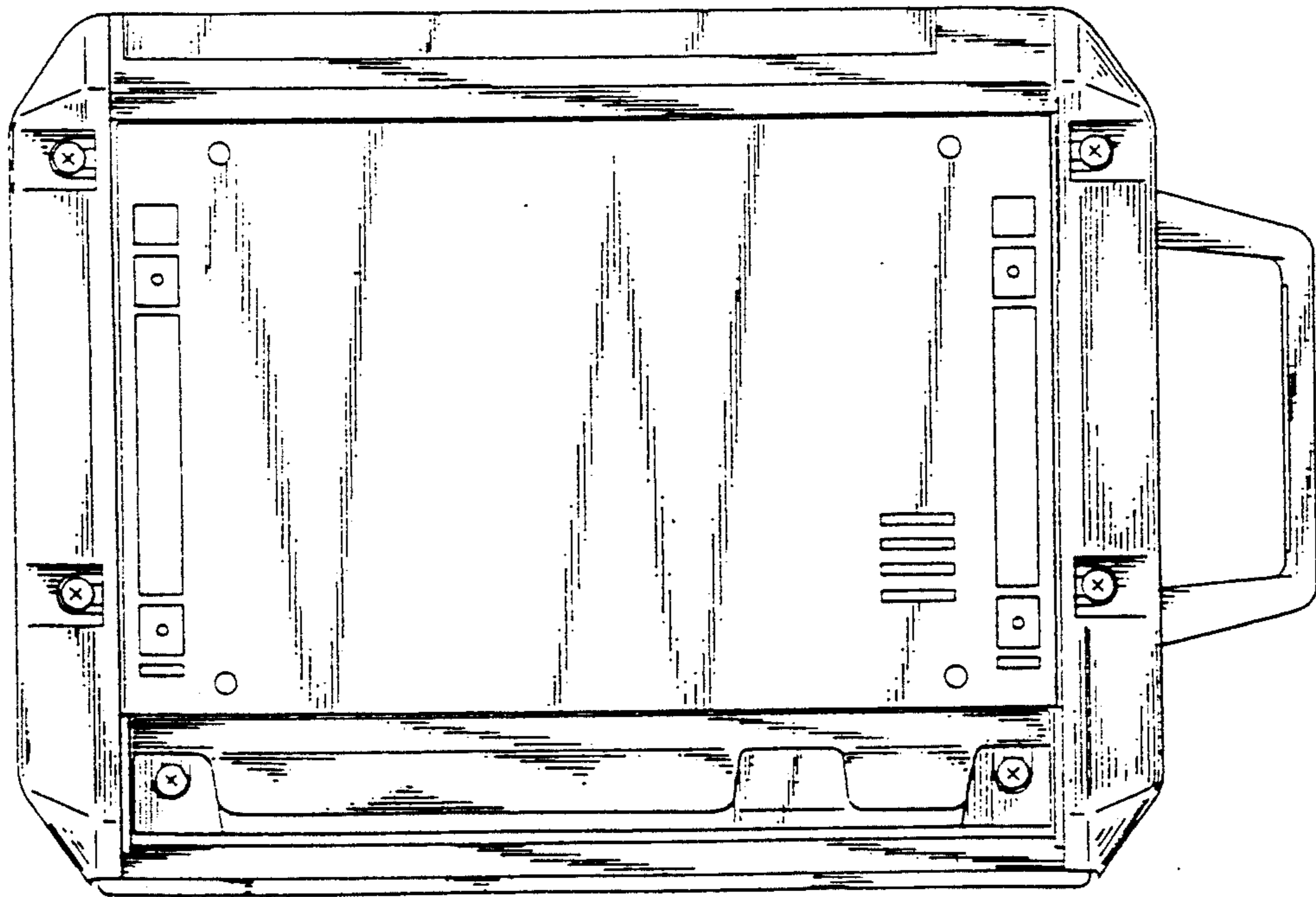


FIG.8

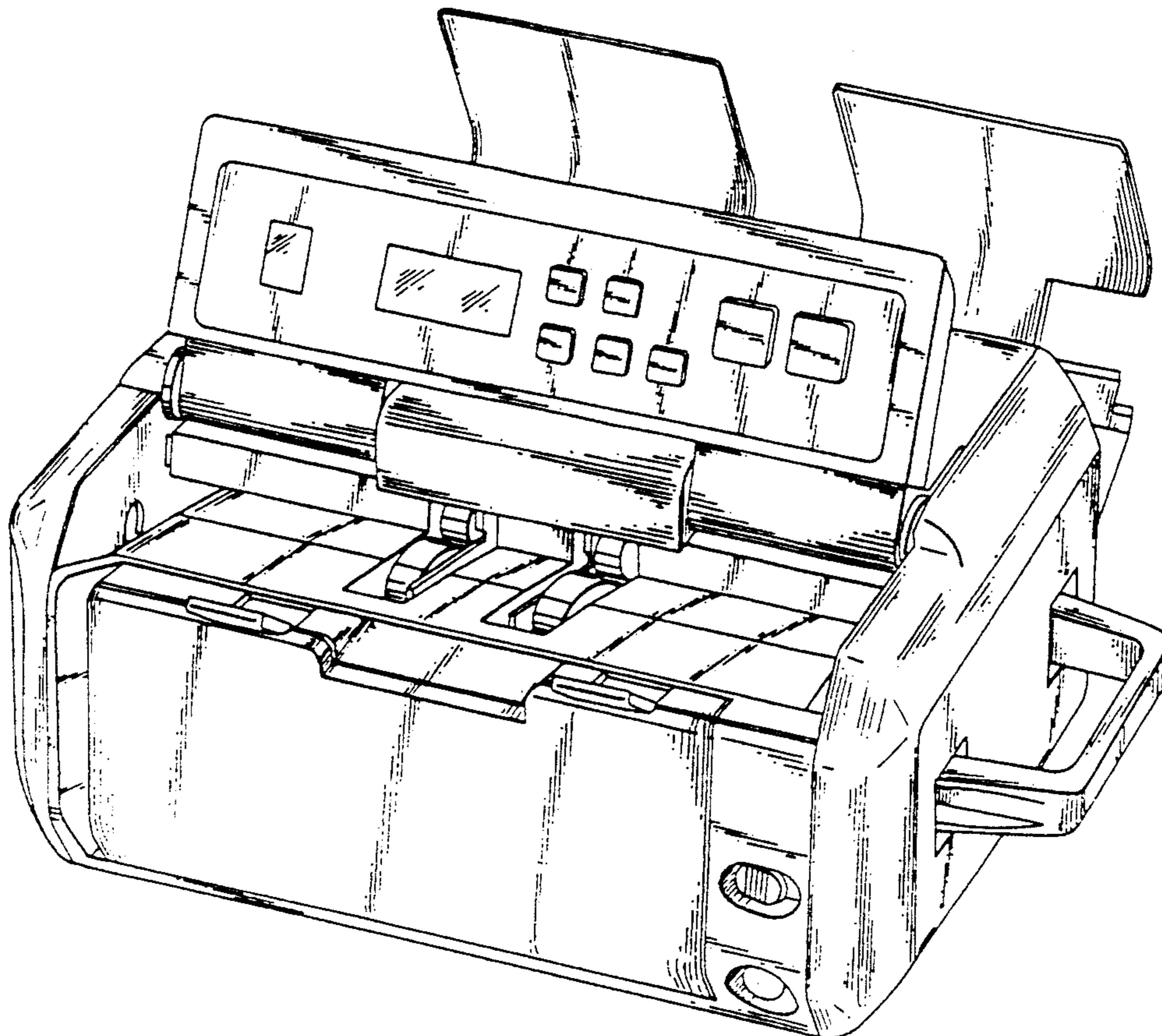


FIG.9

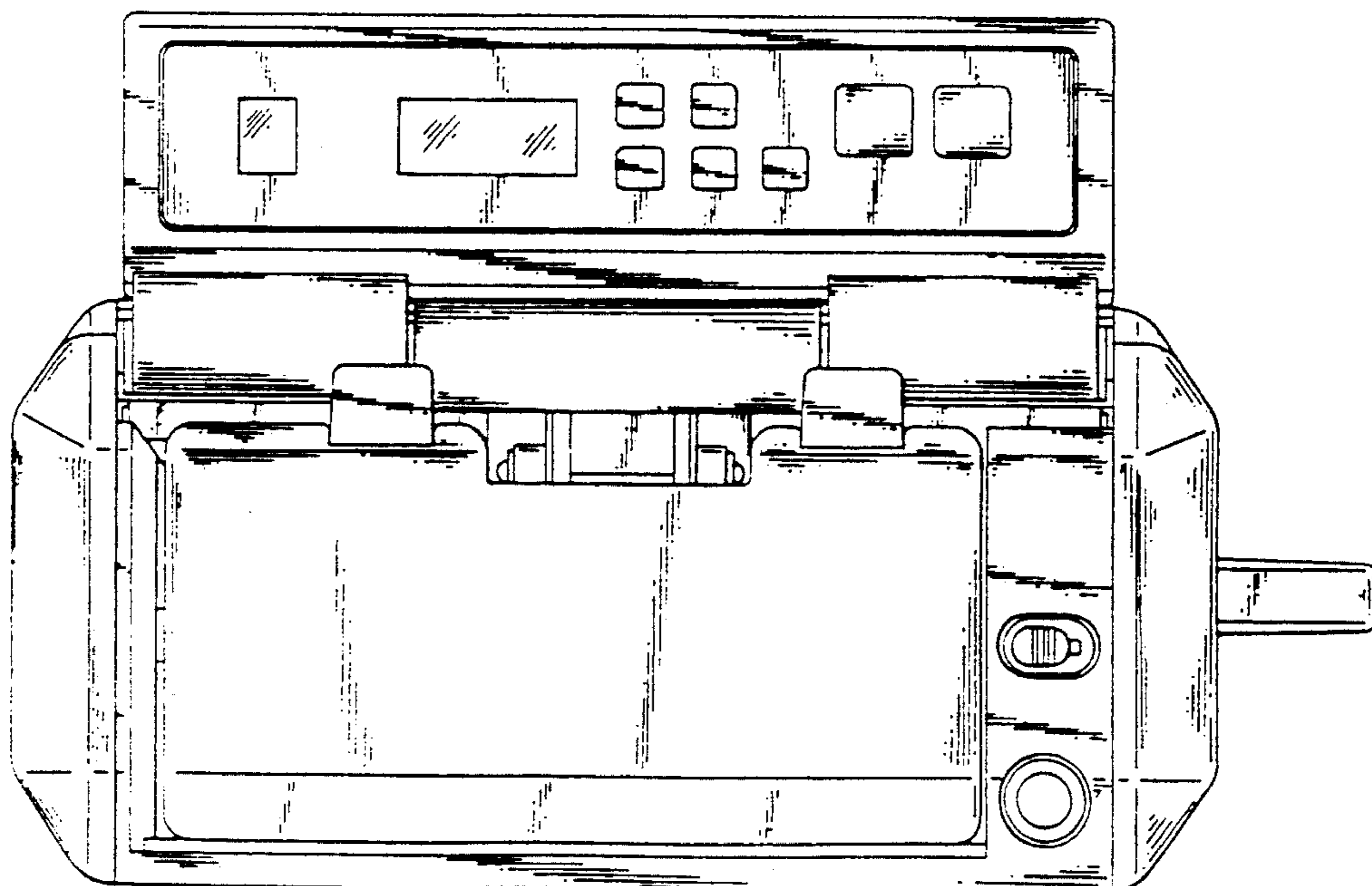


FIG.10

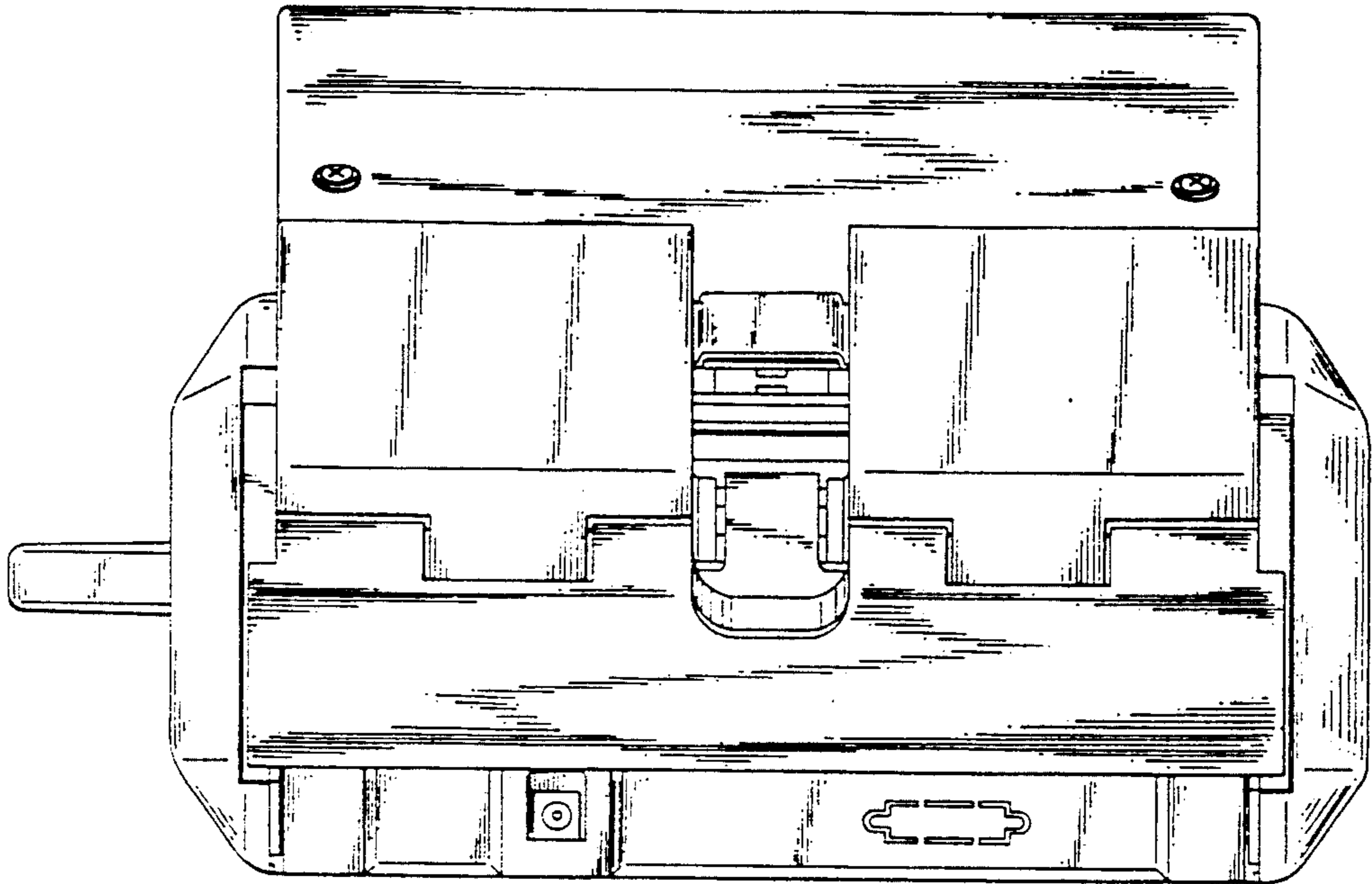


FIG.11

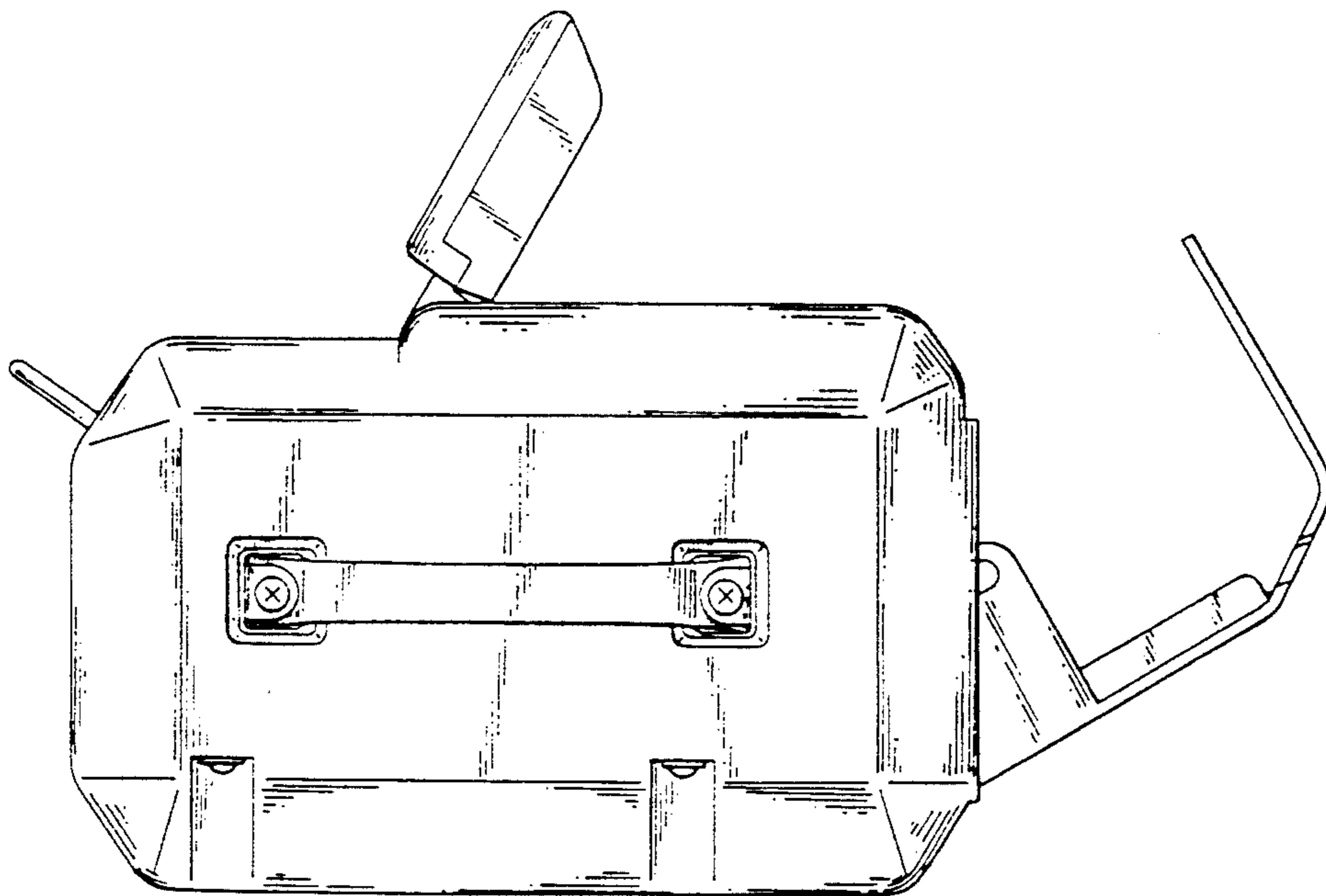


FIG.12

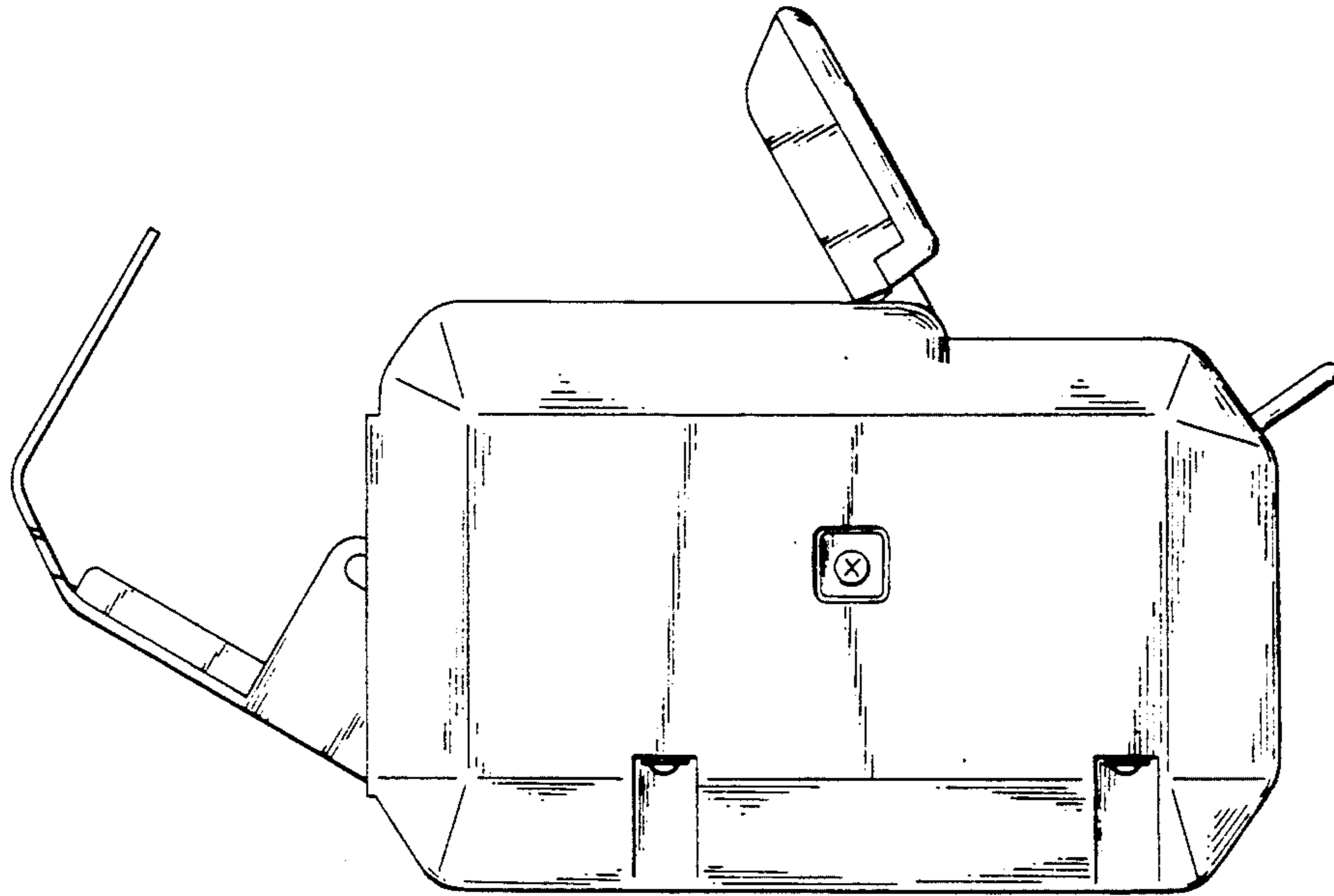


FIG.13

