



US00D349126S

United States Patent [19]

[11] Patent Number: **Des. 349,126**

Lee

[45] Date of Patent: **** Jul. 26, 1994**

[54] **IMAGE TRANSFER UNIT FOR A VIDEO CAMERA**

[76] Inventor: **Young K. Lee**, 103-505, Injung Prince APT, Keumgon-Dong, Mikeom-shi, Kyounggi-Do, Rep. of Korea

[**] Term: **14 Years**

[21] Appl. No.: **790,694**

[22] Filed: **Nov. 12, 1991**

[30] **Foreign Application Priority Data**

May 16, 1991 [KR] Rep. of Korea 6882

[52] U.S. Cl. **D16/242**

[58] Field of Search 354/295; 358/213.26, 358/213.29, 214, 225; D16/202, 205-207, 221, 230, 231, 237, 242

[56] **References Cited**

U.S. PATENT DOCUMENTS

D. 107,028 11/1937 Mihalyi D16/205
D. 141,955 8/1945 Vry D16/231

D. 191,240 8/1961 Kezickl D16/205
4,458,270 7/1984 Kuno et al. 358/225
4,698,683 10/1987 Schwartz et al. 358/214
4,868,661 9/1989 Takahashi .
4,896,211 1/1990 Hunt et al. 358/213.26 X

Primary Examiner—Bernard Ansher
Assistant Examiner—M. Siegel
Attorney, Agent, or Firm—Nikaido, Marmelstein, Murray & Oram

[57] **CLAIM**

The ornamental design for an image transfer unit for a video camera, as shown.

DESCRIPTION

FIG. 1 is a top righthand perspective view showing my new design;
FIG. 2 is a top view thereof;
FIG. 3 is a front view thereof;
FIG. 4 is a back side view thereof;
FIG. 5 is a bottom view thereof;
FIG. 6 is a left side view thereof; and,
FIG. 7 is a right side view thereof.

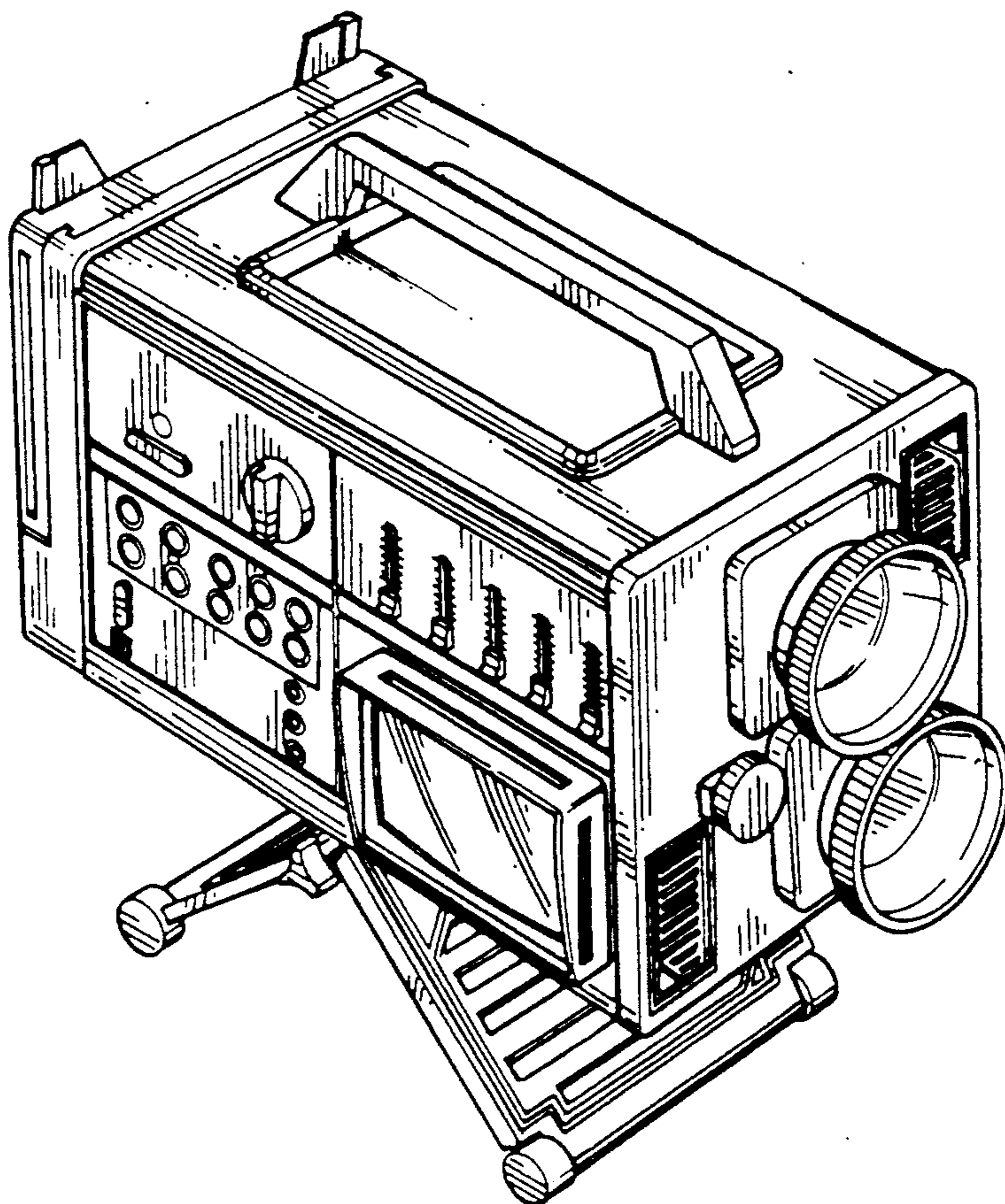


FIG 1

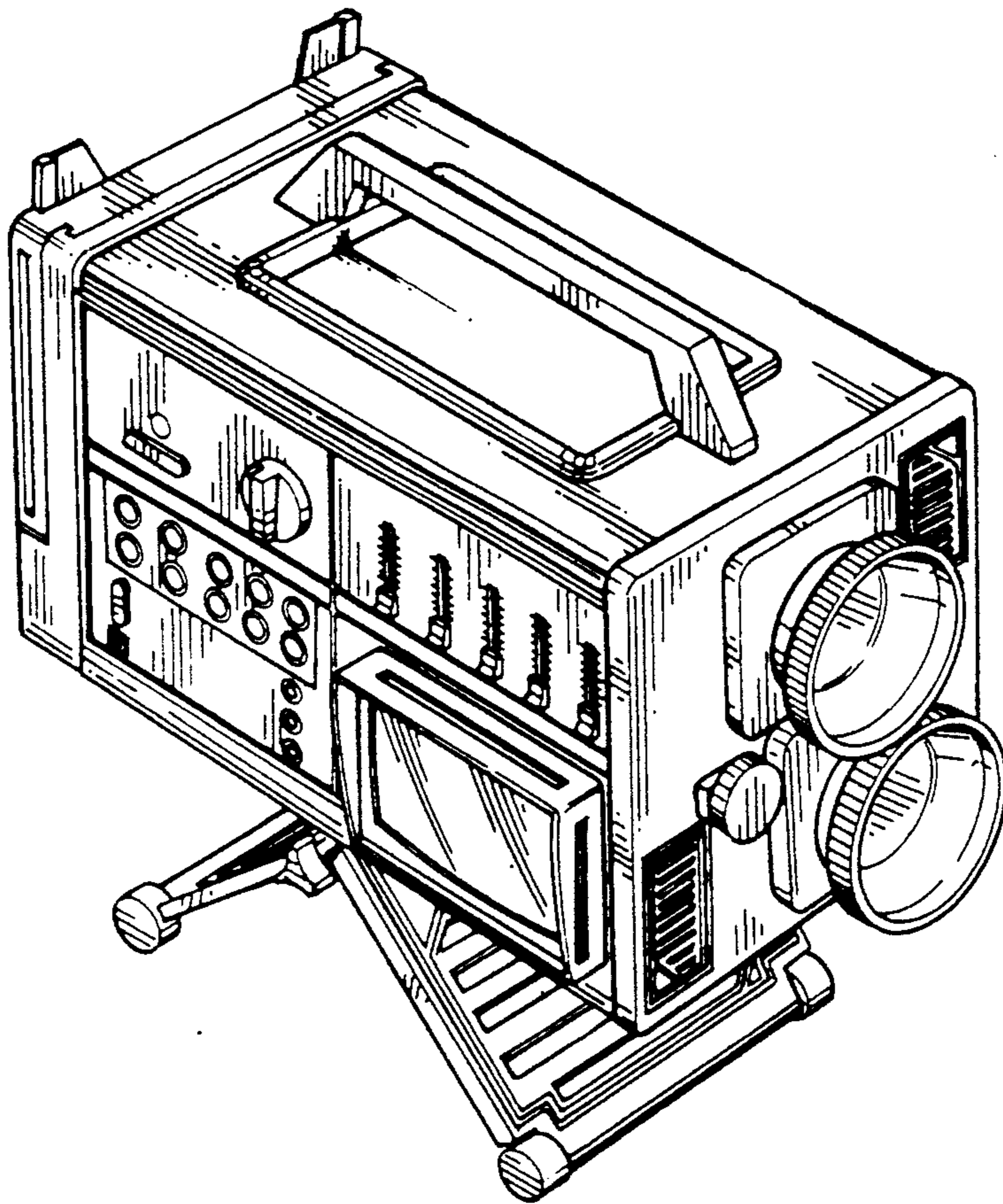


FIG 2

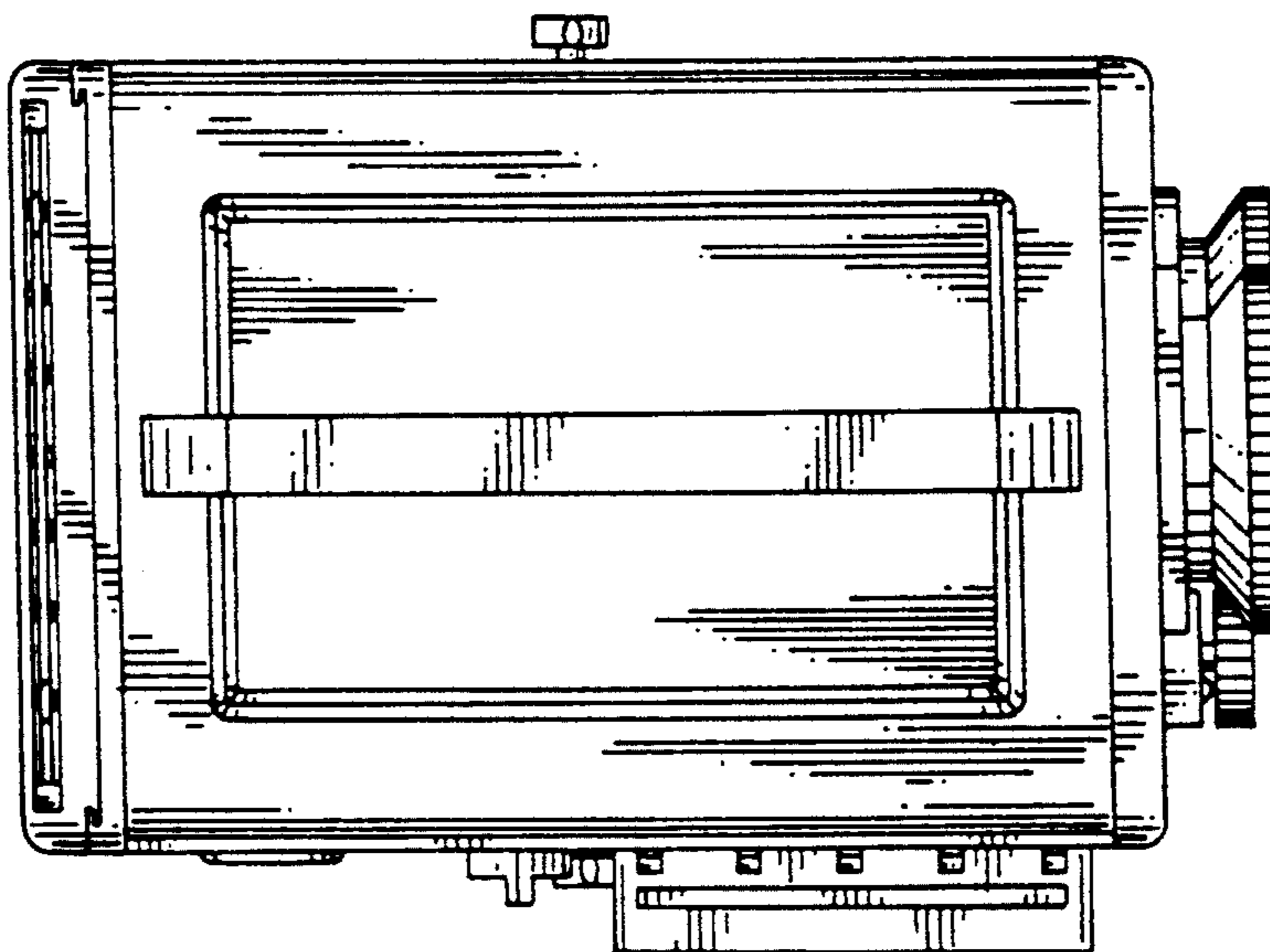


FIG 3

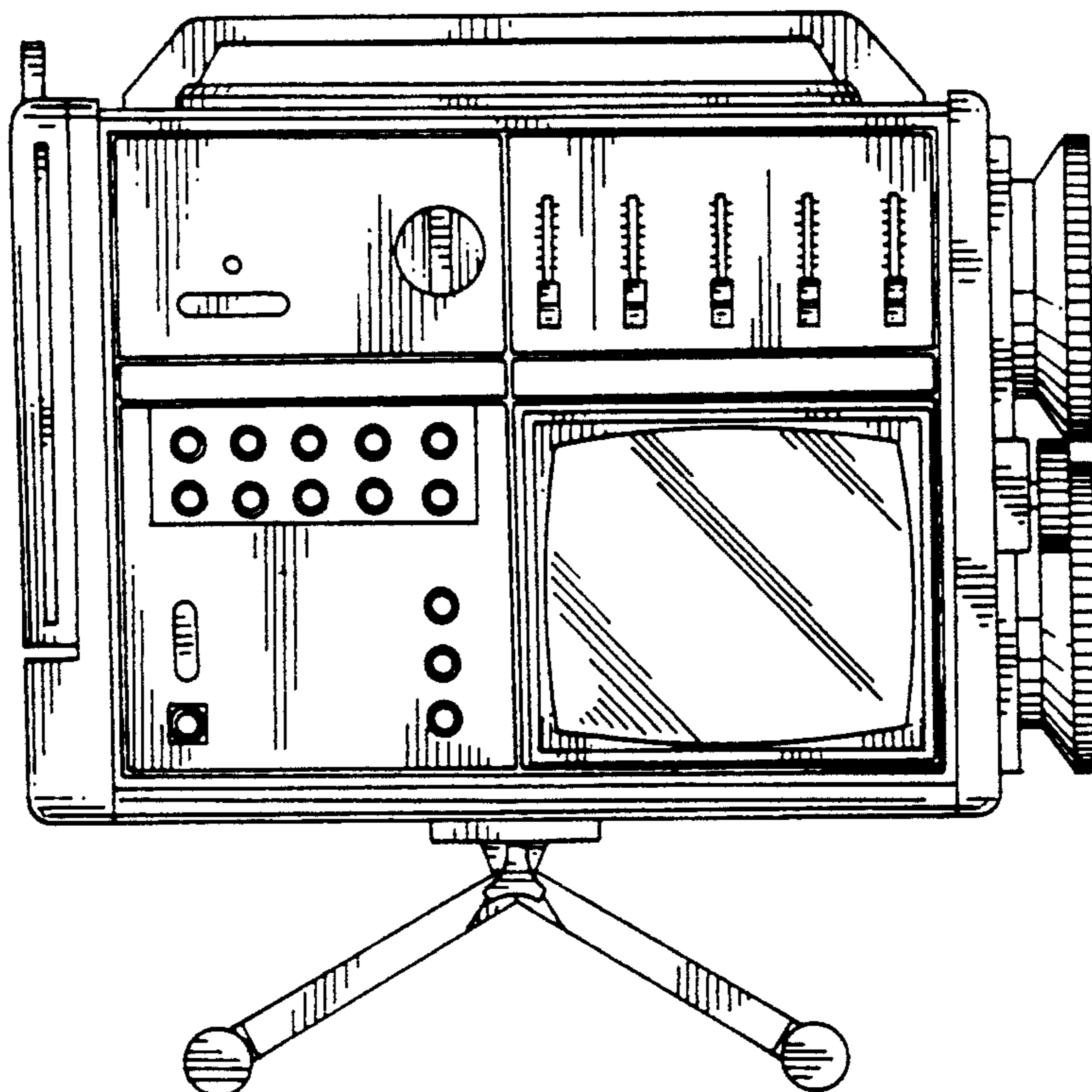


FIG 4

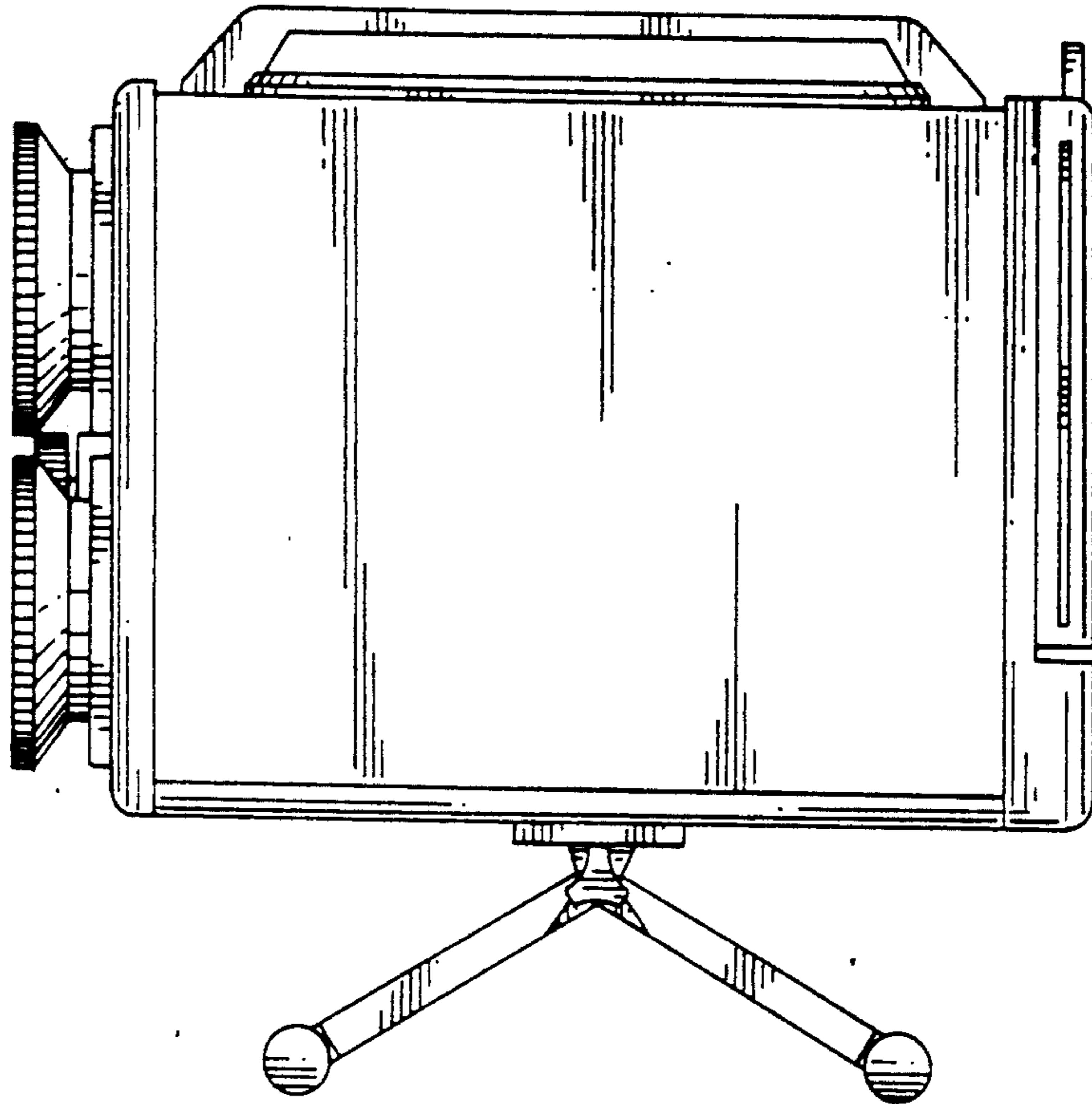


FIG 5

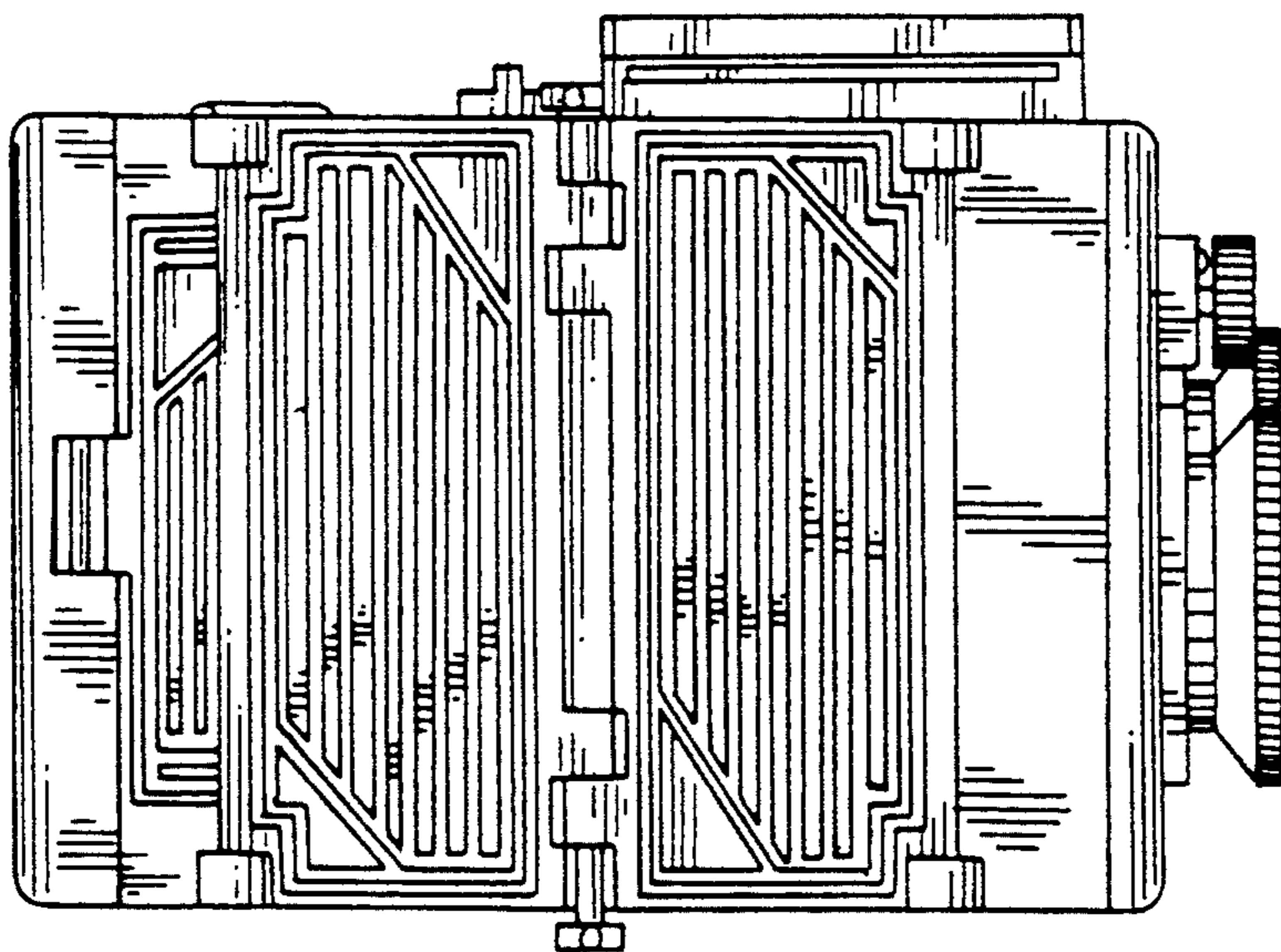


FIG 6

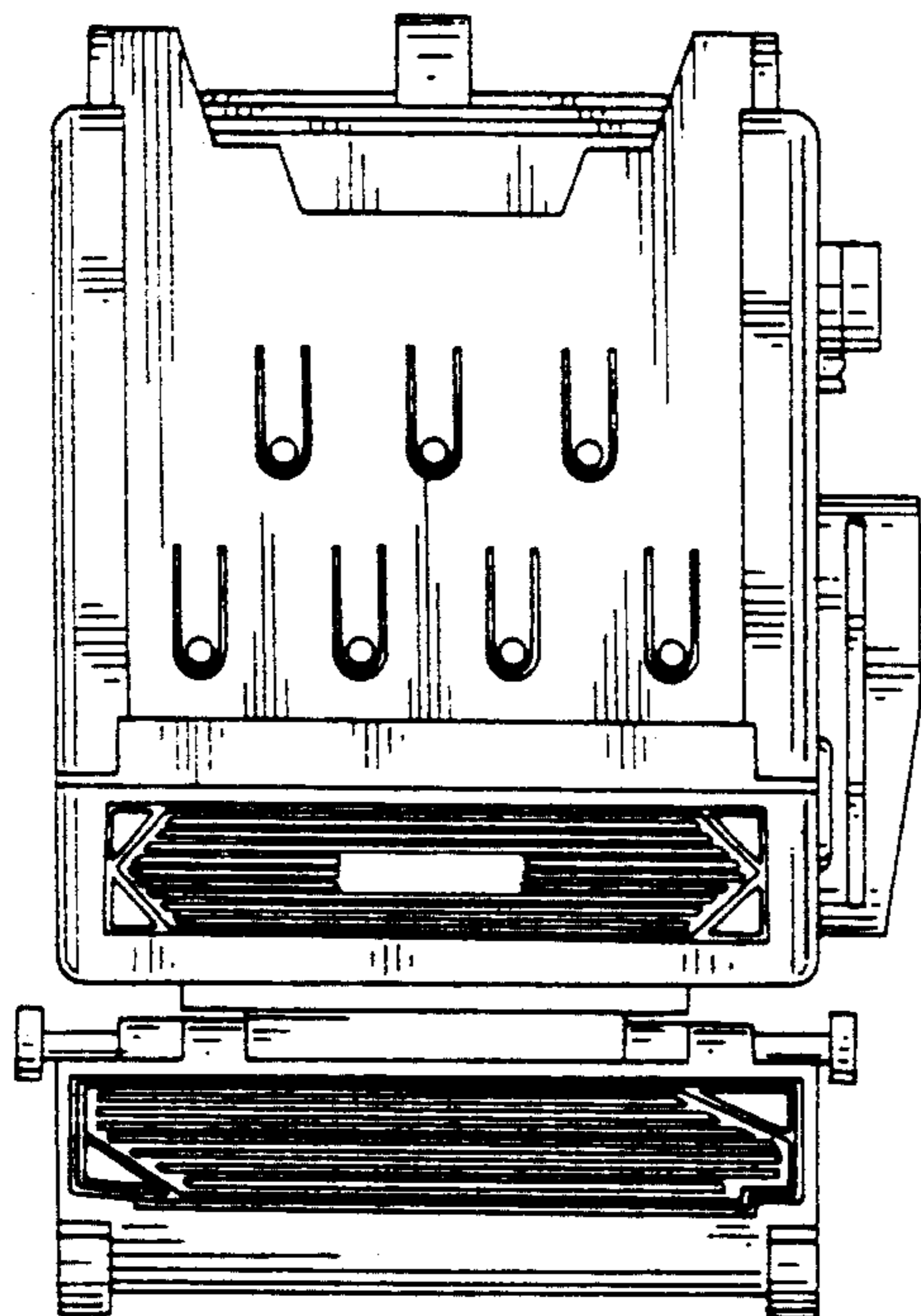


FIG 7

