



US00D349122S

United States Patent [19]

[11] Patent Number: Des. 349,122

Arehart et al.

[45] Date of Patent: ** Jul. 26, 1994

[54] BAND SAW

[75] Inventors: Robert W. Arehart, Chicago; Bernard T. Schroeder, Urbana, both of Ill.

[73] Assignee: Emerson Electric Co., St. Louis, Mo.

[**] Term: 14 Years

[21] Appl. No.: 854,452

[22] Filed: Mar. 16, 1992

[52] U.S. Cl. D15/134

[58] Field of Search 83/814, 815, 816, 817, 83/818, 819; D15/134

3,888,148	6/1975	Weissman	83/814 X
4,356,750	11/1982	Legler et al.	83/818 X
4,491,047	1/1985	Butkiewicz et al.	83/817
4,882,962	11/1989	Terpstra et al.	83/812
4,960,026	10/1990	Terpstra	83/818

OTHER PUBLICATIONS

Brookstone Catalogue, Fall 1980, p. 63, upper left hand corner.

Sears Owner's Manual 10-Inch Motorized Band Saw, Sep. 1981.

Primary Examiner—Alan P. Douglas

Assistant Examiner—Antoine D. Davis

Attorney, Agent, or Firm—Polster, Lieder, Woodruff & Lucchesi

[56] References Cited

U.S. PATENT DOCUMENTS

D. 163,575	6/1951	Crane	D15/134
D. 261,519	10/1981	Irelan	D15/134
D. 295,629	5/1988	Emslie	D15/134
D. 300,934	5/1989	Arehart	D15/134
679,056	7/1901	Lewis	83/816 X
814,652	3/1906	Harrold et al. .	
936,596	10/1909	Anderson .	
1,636,484	7/1927	Obermoser .	
1,879,145	9/1932	Erickson .	
2,579,955	12/1951	Orescan	83/816 X
2,644,491	7/1953	Abraham .	
2,644,492	7/1953	Crane	83/817 X
2,711,196	6/1953	Daniel .	
3,669,163	6/1972	Crane	143/157 A
3,801,089	4/1974	Fukugami et al.	83/74

[57] CLAIM

The ornamental design for a band saw, as shown and described.

DESCRIPTION

FIG. 1 is a front perspective view of a band saw showing our new design;

FIG. 2 is a right side elevational view thereof;

FIG. 3 is a left side elevational view thereof;

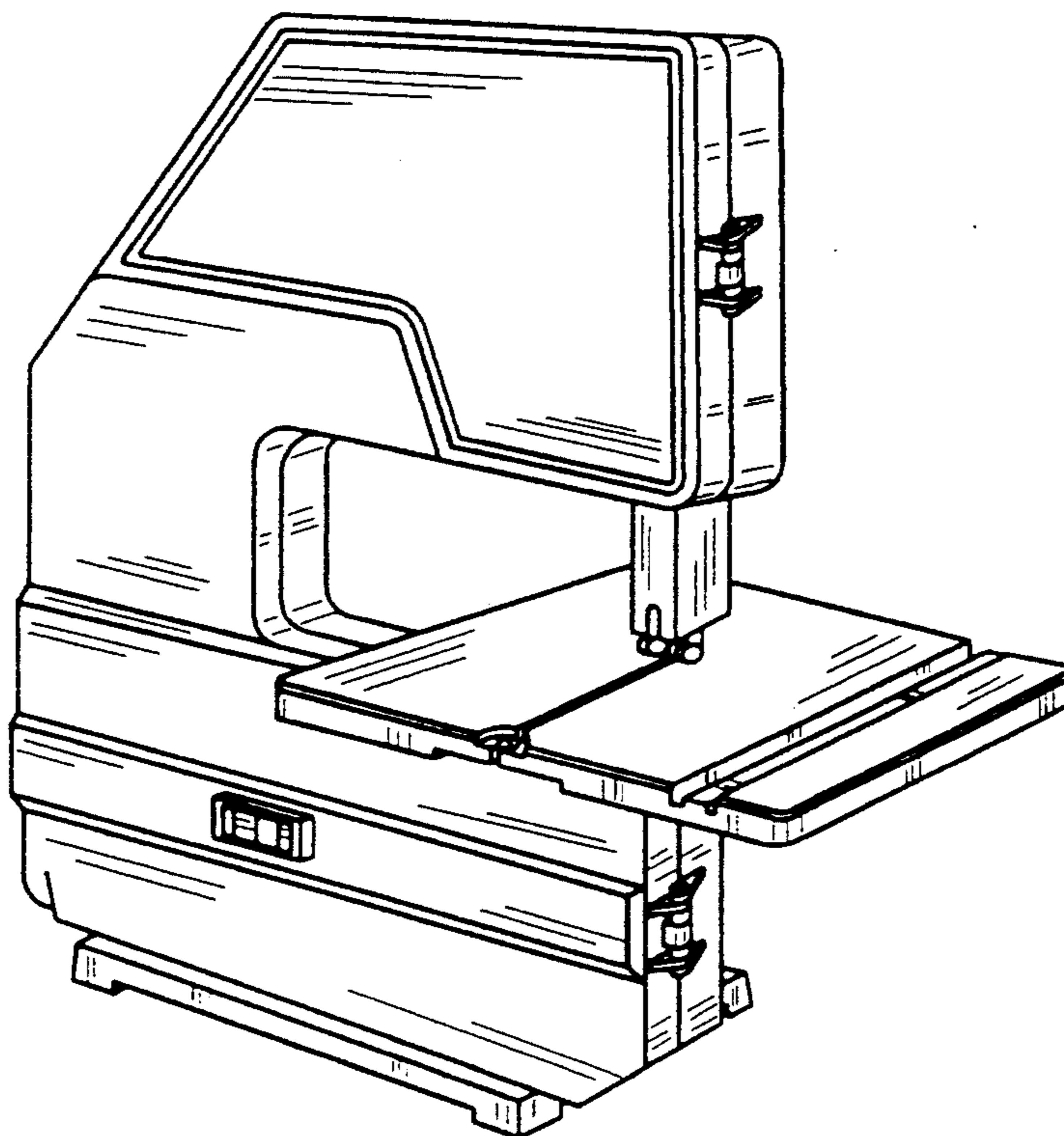
FIG. 4 is a top plan view thereof;

FIG. 5 is a bottom plan view thereof;

FIG. 6 is a front elevational view there; and,

FIG. 7 is a rear elevational view there.

The broken line showing of a cable is for illustrative purposes only and forms no part of the claimed design.



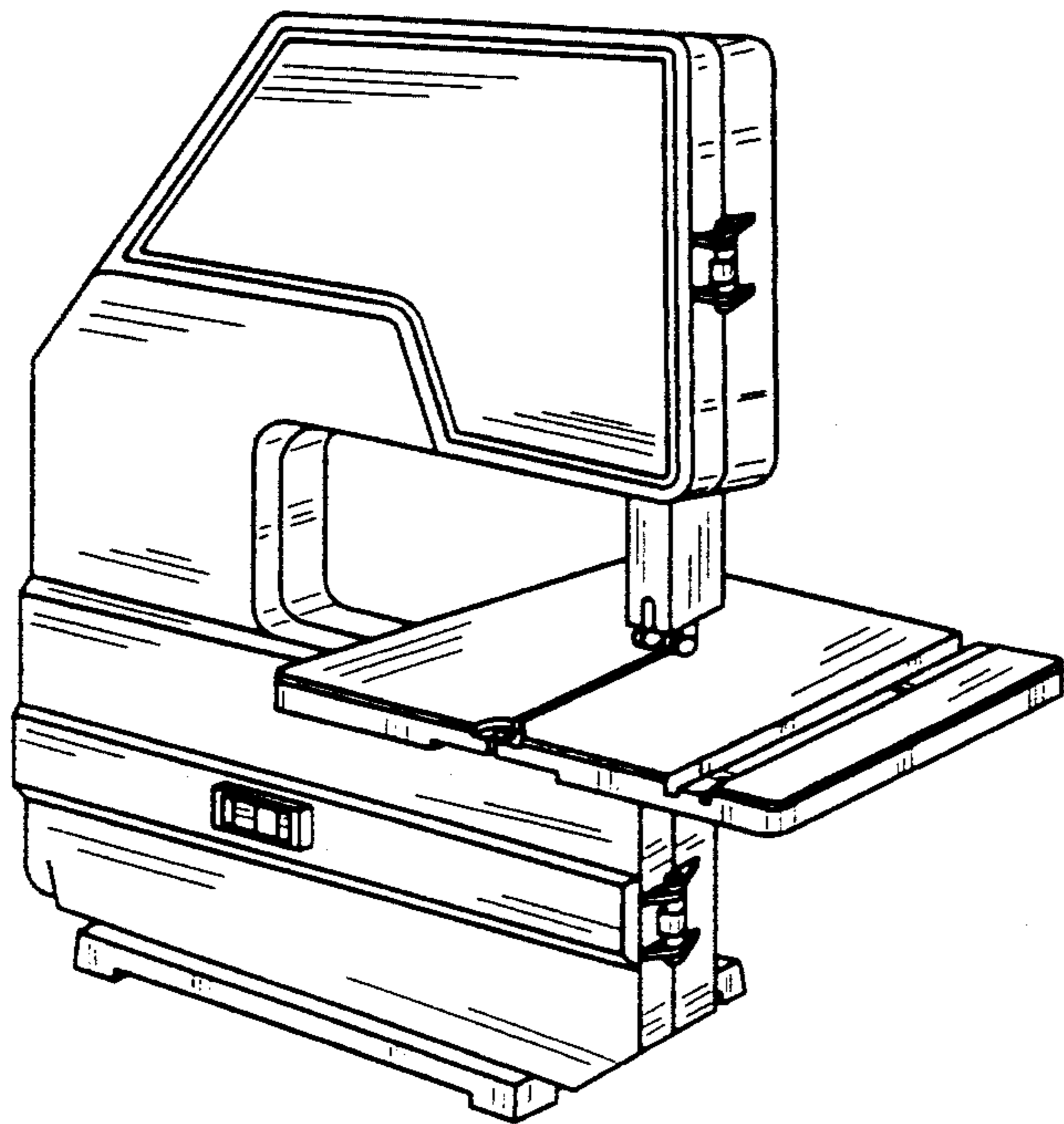


FIG. 1

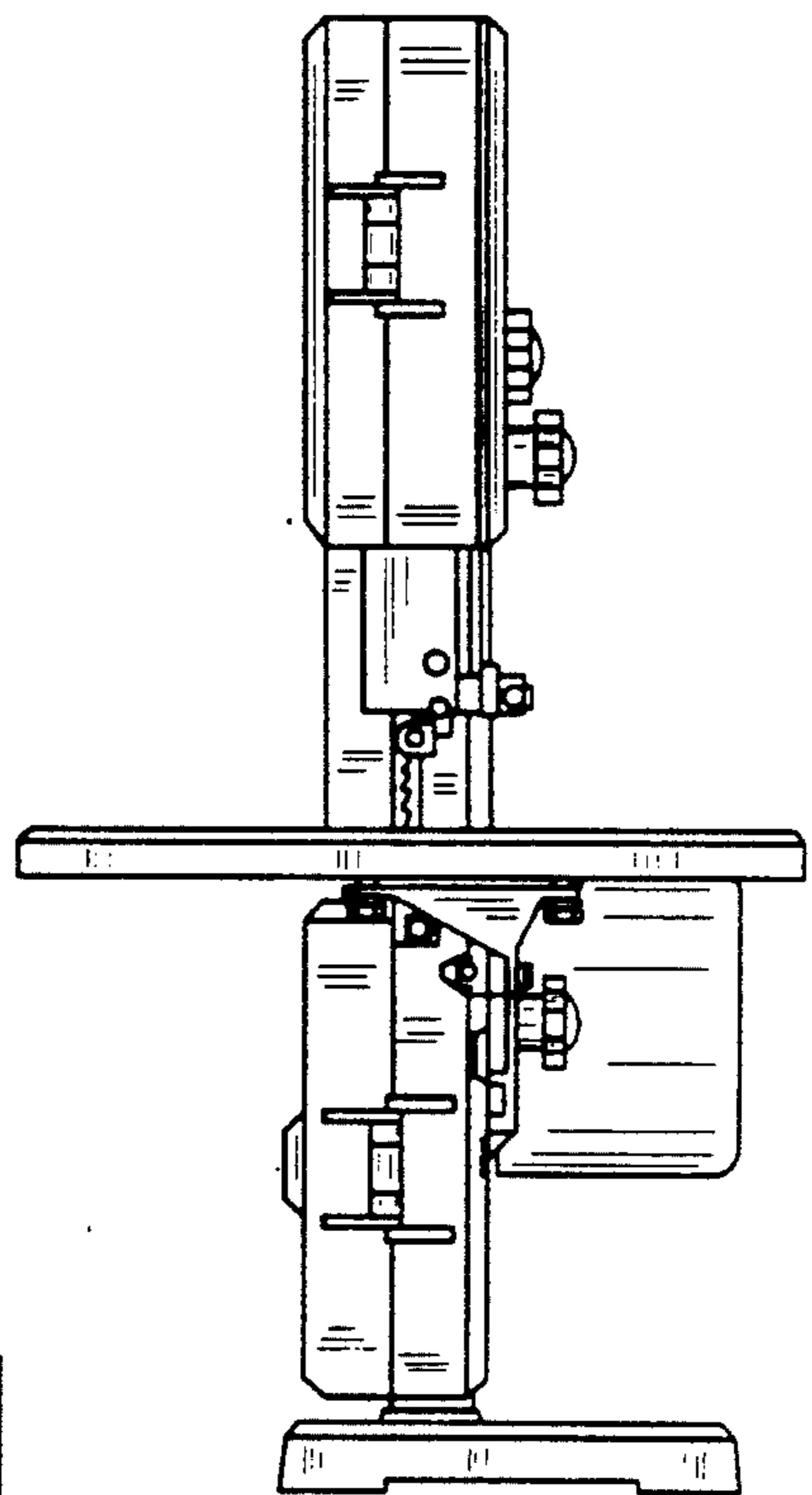


FIG. 6

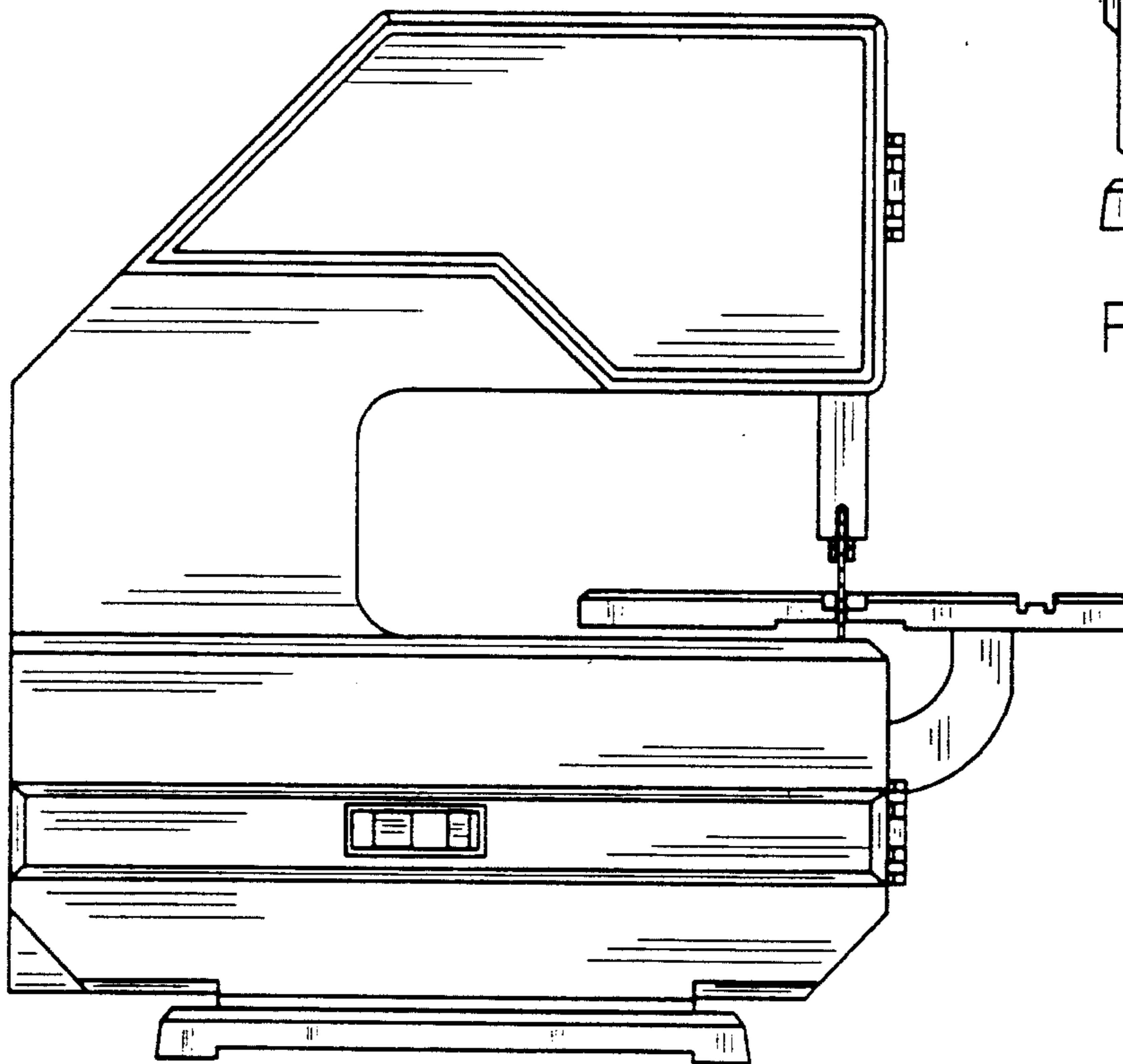


FIG. 2

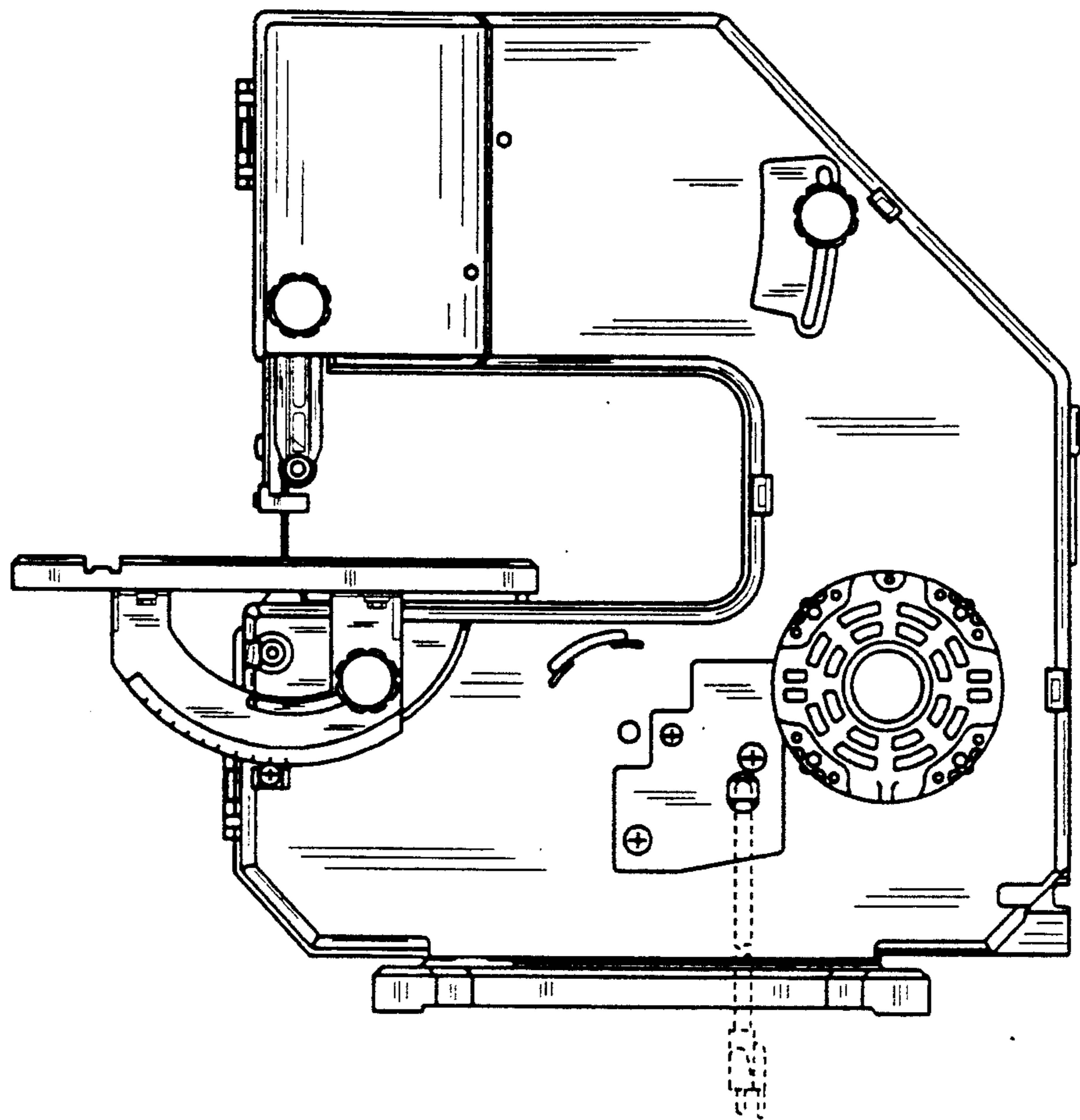


FIG. 3

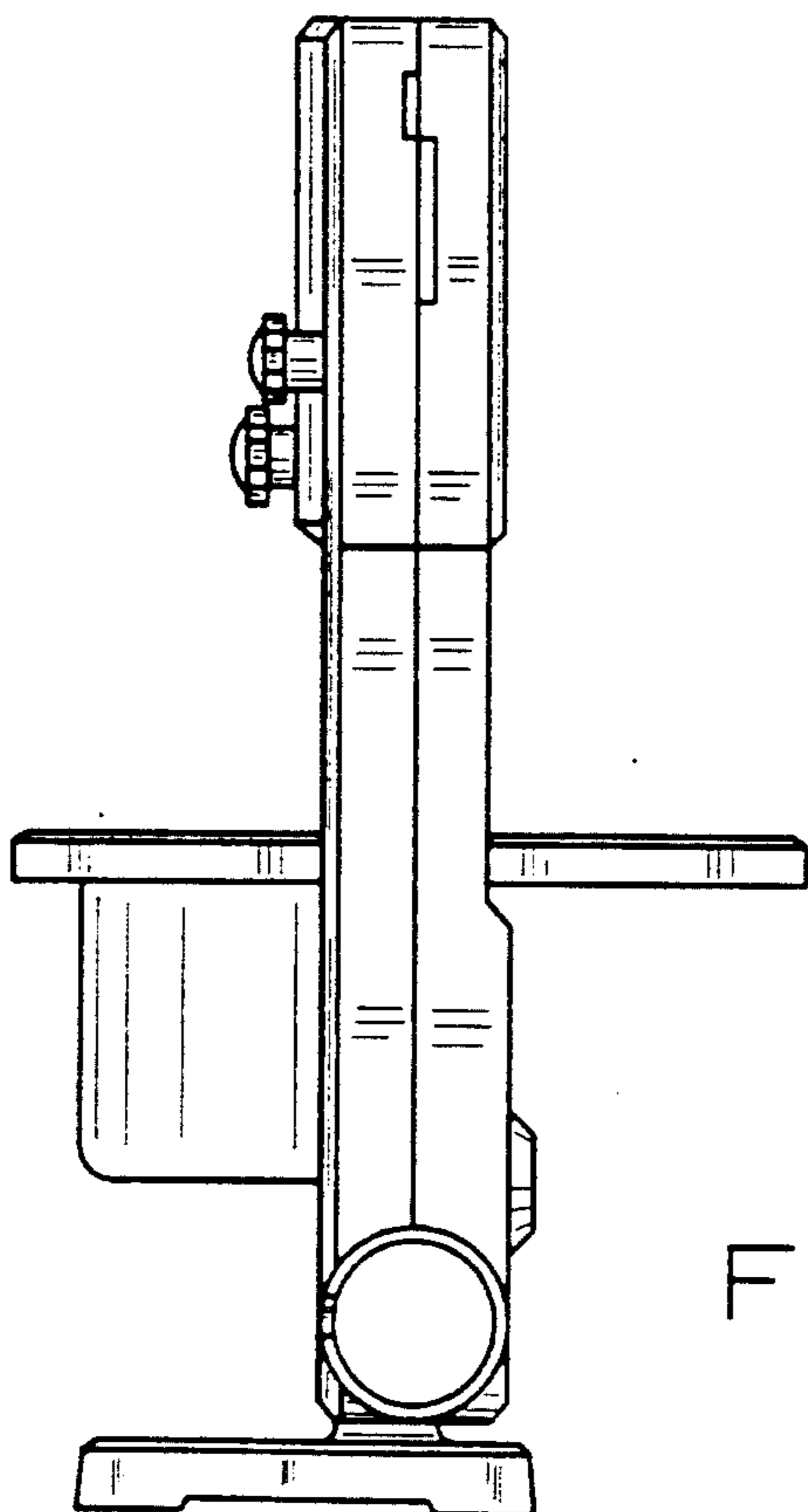


FIG. 7

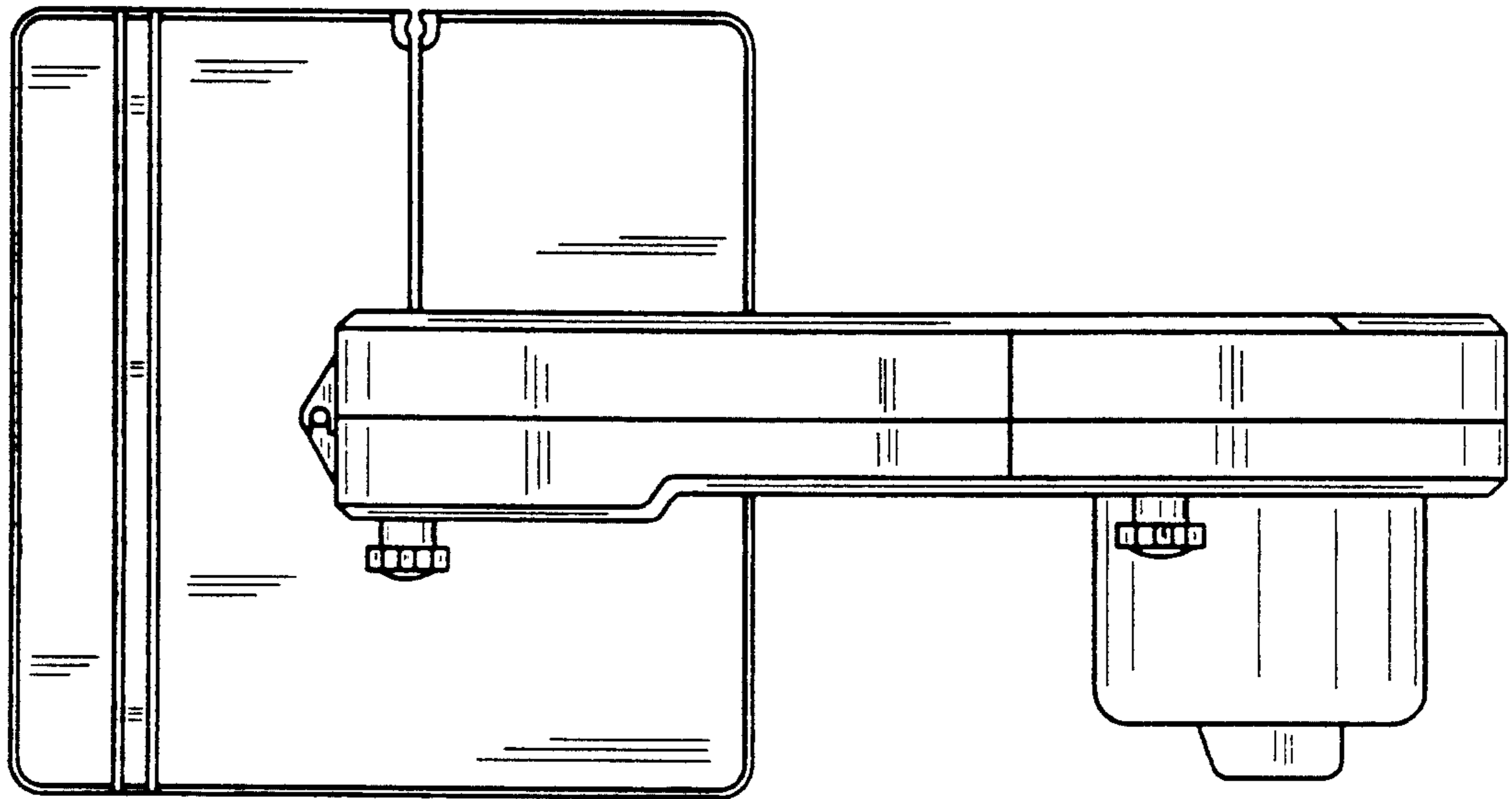


FIG. 4

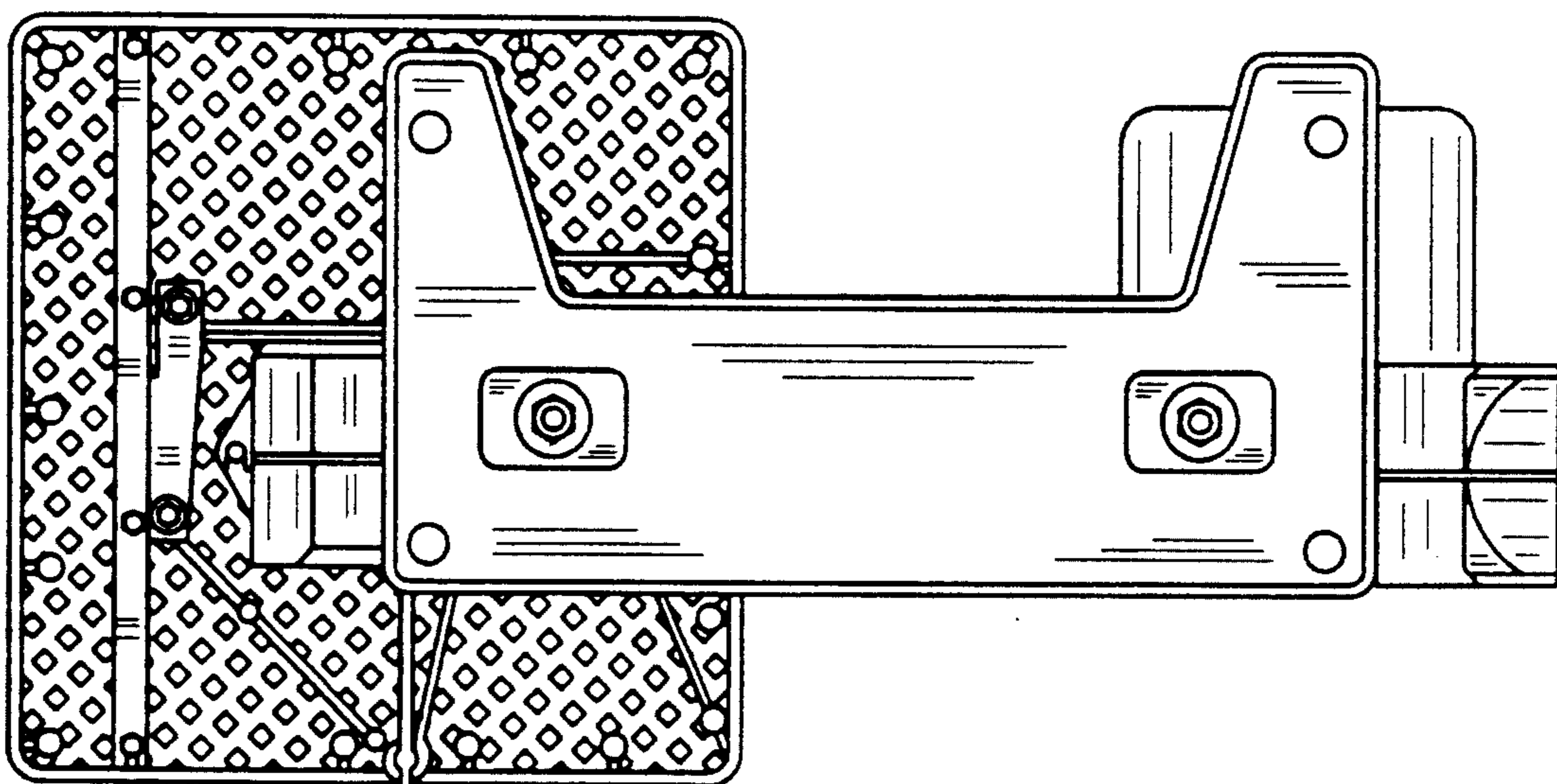


FIG. 5