



US00D349119S

United States Patent [19]

[11] Patent Number: Des. 349,119

Eberle et al.

[45] Date of Patent: ** Jul. 26, 1994

- [54] STEREO AMPLIFIER HOUSING
- [75] Inventors: Henry G. Eberle; Douglas Kim, both of Orinda, Calif.
- [73] Assignee: Alphasonik, Inc., Berkeley, Calif.
- [**] Term: 14 Years
- [21] Appl. No.: 882,490
- [22] Filed: May 13, 1992
- [52] U.S. Cl. D14/265; D14/188
- [58] Field of Search 381/24, 188, 205; 330/207 R; D14/188, 124, 184, 265, 299, 217; D13/184, 199

- D. 327,072 6/1992 Christie D14/188
- D. 335,670 5/1993 Kerr et al. D14/188

Primary Examiner—B. J. Bullock
Assistant Examiner—Richelle Shelton
Attorney, Agent, or Firm—Majestic, Parsons, Siebert & Hsue

[57] CLAIM

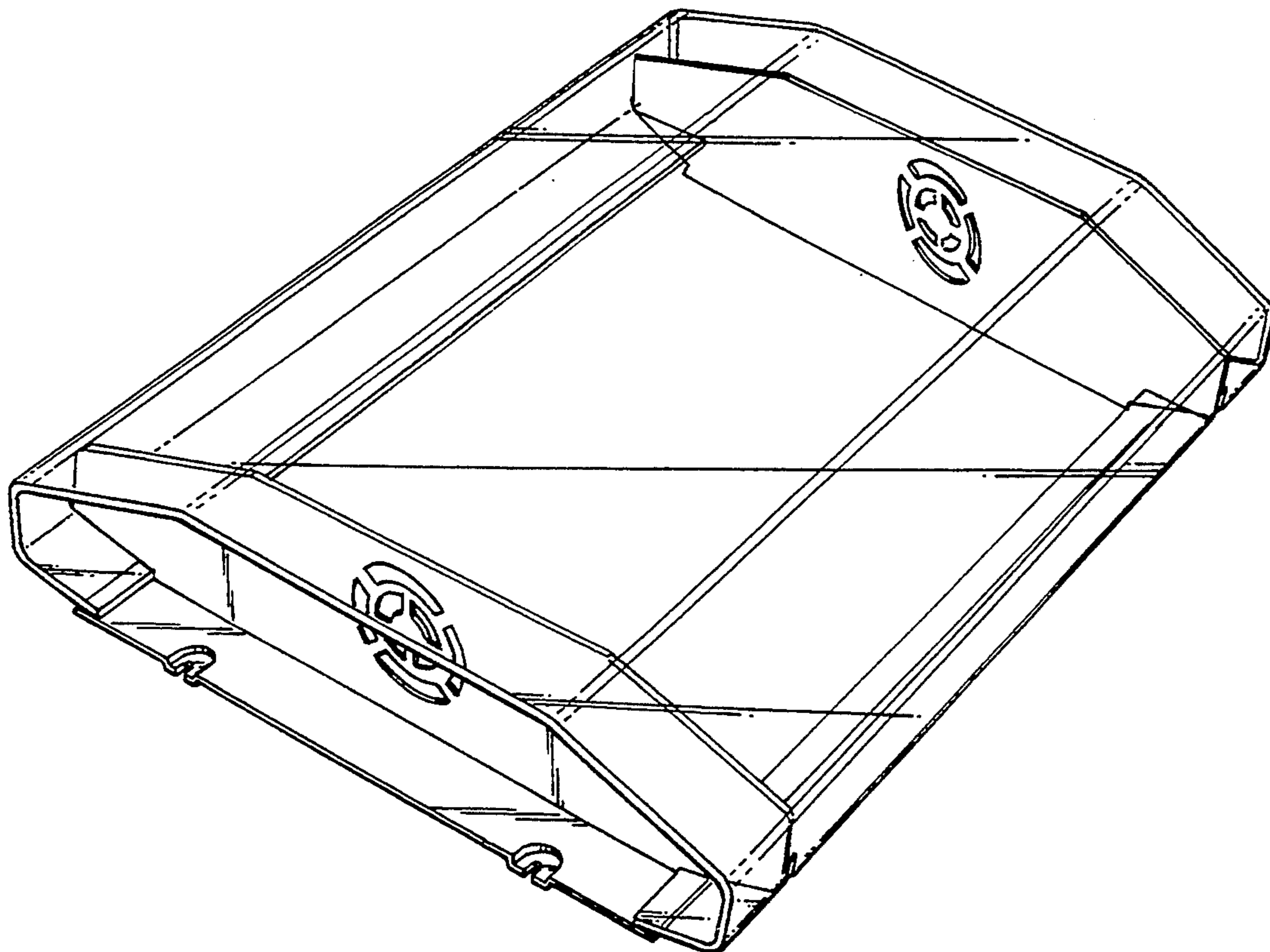
The ornamental design for a stereo amplifier housing, as shown and described.

DESCRIPTION

FIG. 1 is a perspective view of the stereo amplifier housing showing our new design;
 FIG. 2 is a top plan view thereof;
 FIG. 3 is a front elevational view thereof, the rear elevational view being a mirror image thereof;
 FIG. 4 is a right side elevational view thereof, the left side elevational view being a mirror image thereof; and,
 FIG. 5 is a bottom plan view thereof.

[56] **References Cited**
 U.S. PATENT DOCUMENTS

- D. 223,368 4/1972 Horak D14/188
- D. 237,755 11/1975 Ray D14/114
- D. 238,789 2/1976 Ross D14/188



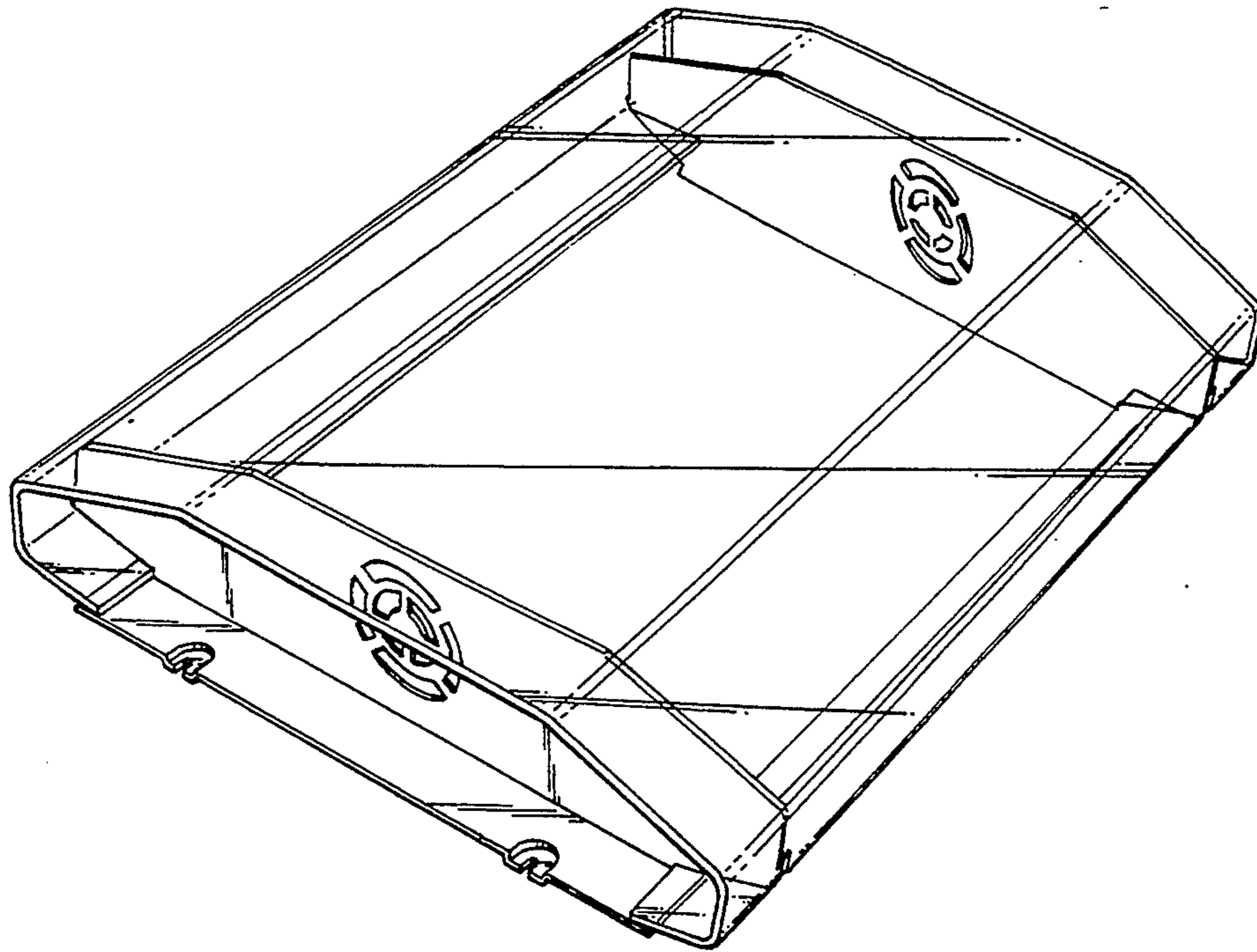


FIG. 1.

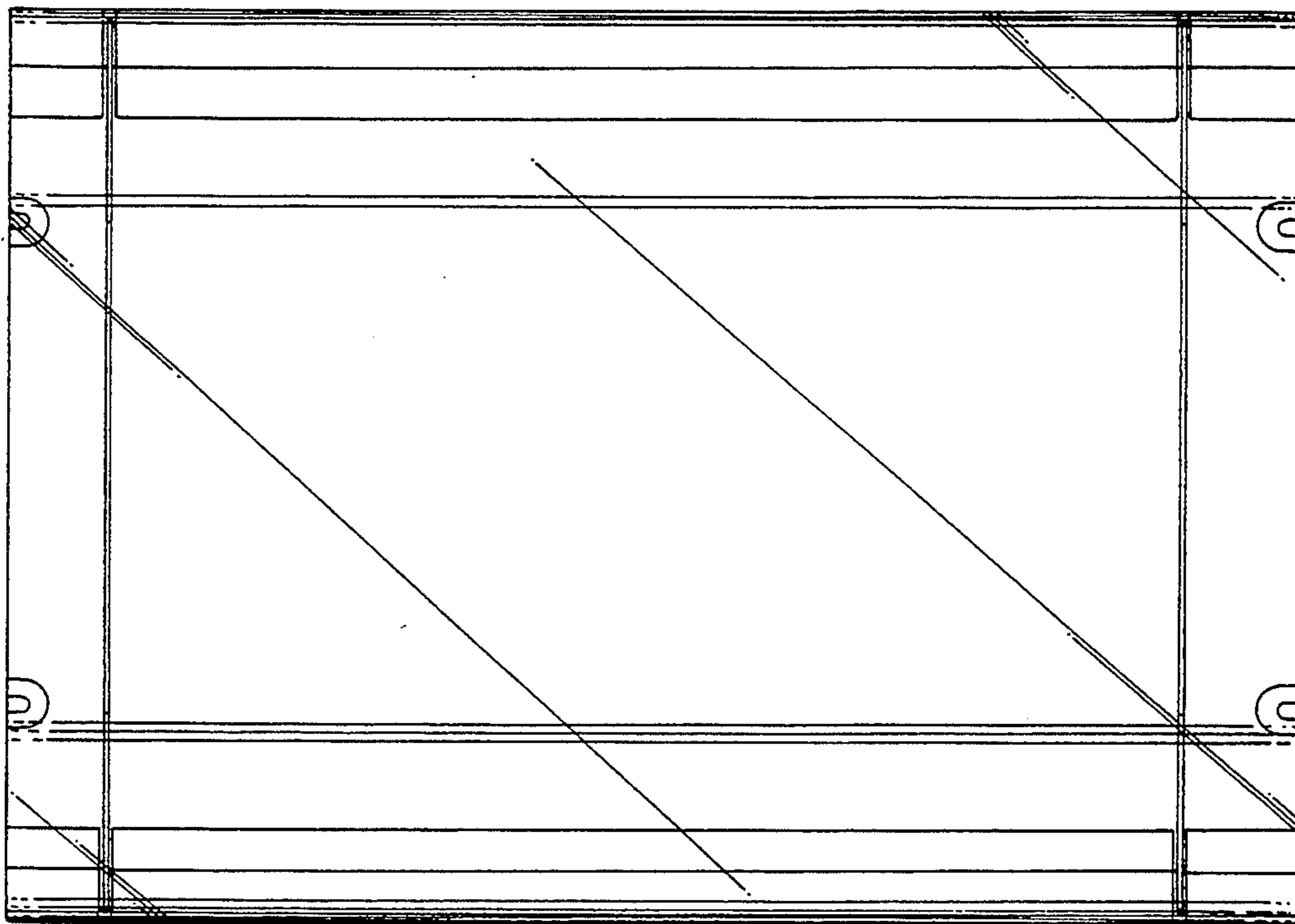


FIG. 2.

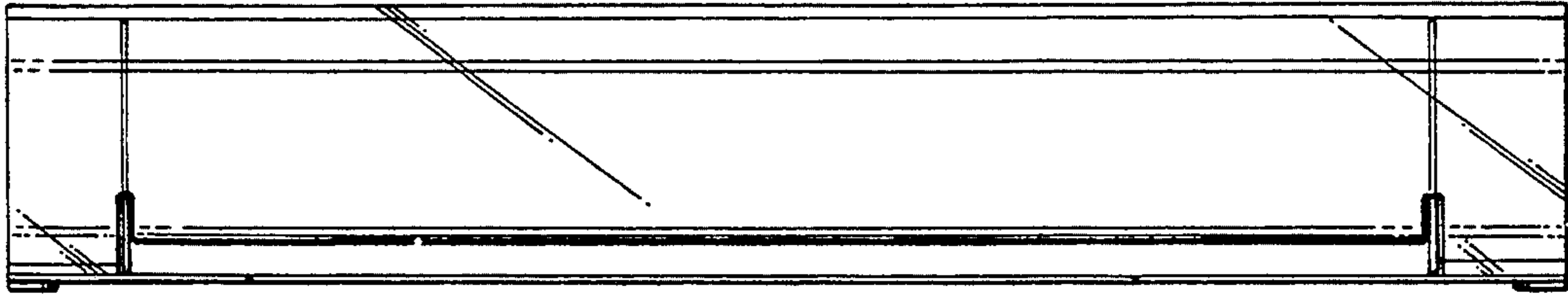


FIG. 3.

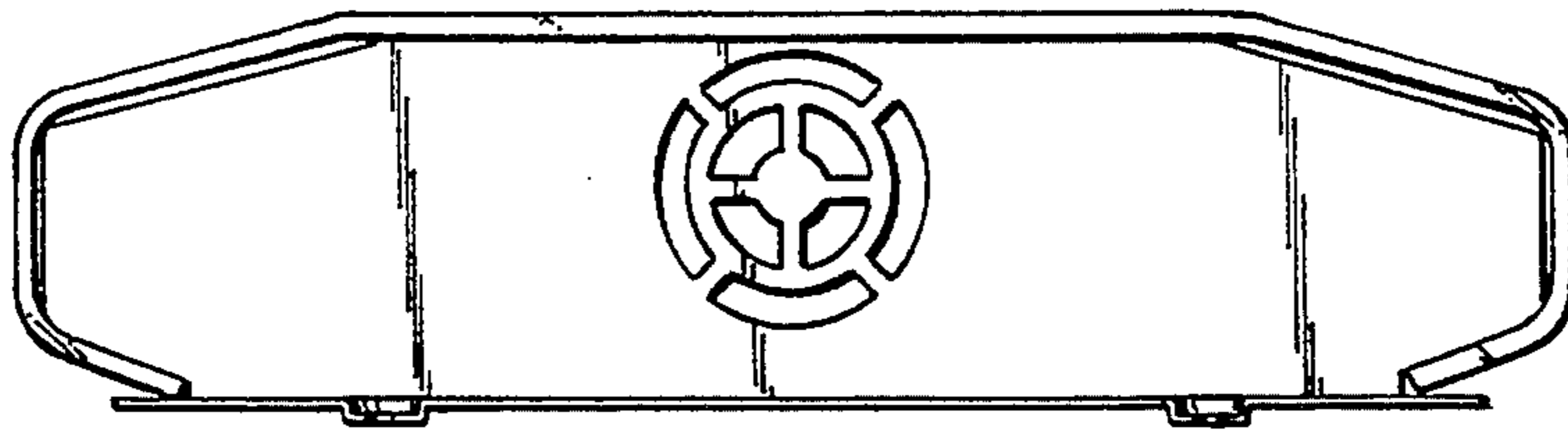


FIG. 4.

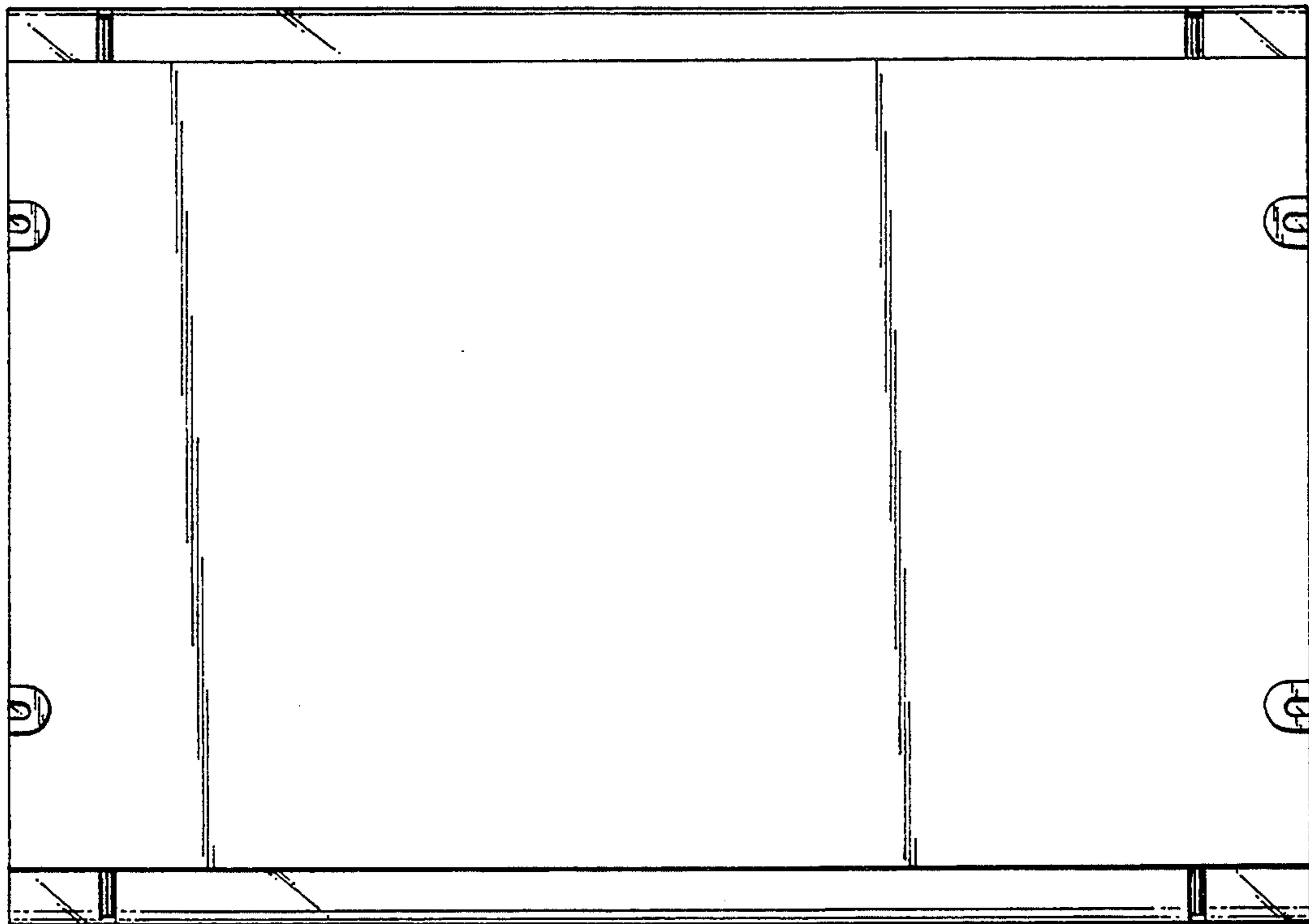


FIG. 5.