



US00D349109S

# United States Patent [19]

[11] Patent Number: **Des. 349,109**

**Karlin**

[45] Date of Patent: **\*\* Jul. 26, 1994**

[54] **HAND HELD BAR CODE SCANNER**

D. 307,138 4/1990 Knowles ..... D14/116  
D. 315,901 4/1991 Knowles ..... D14/116  
D. 330,708 11/1992 LaManna et al. .... D14/116

[75] Inventor: **James H. Karlin**, Fairport, N.Y.

[73] Assignee: **PSC, Inc.**, Webster, N.Y.

[\*\*] Term: **14 Years**

*Primary Examiner*—Wallace R. Burke  
*Assistant Examiner*—M. H. Tung  
*Attorney, Agent, or Firm*—M. Lukacher

[21] Appl. No.: **74**

[57] **CLAIM**

[22] Filed: **Oct. 2, 1992**

The ornamental design for a hand held bar code scanner, as shown and described.

[52] U.S. Cl. .... **D14/116**

[58] Field of Search ..... 235/375, 378, 385, 454,  
235/462, 472, 486; 354/80-82; 382/58-69;  
250/203.1, 216, 566, 568; D19/41-51; D26/37,  
45, 50; D14/114, 116-117

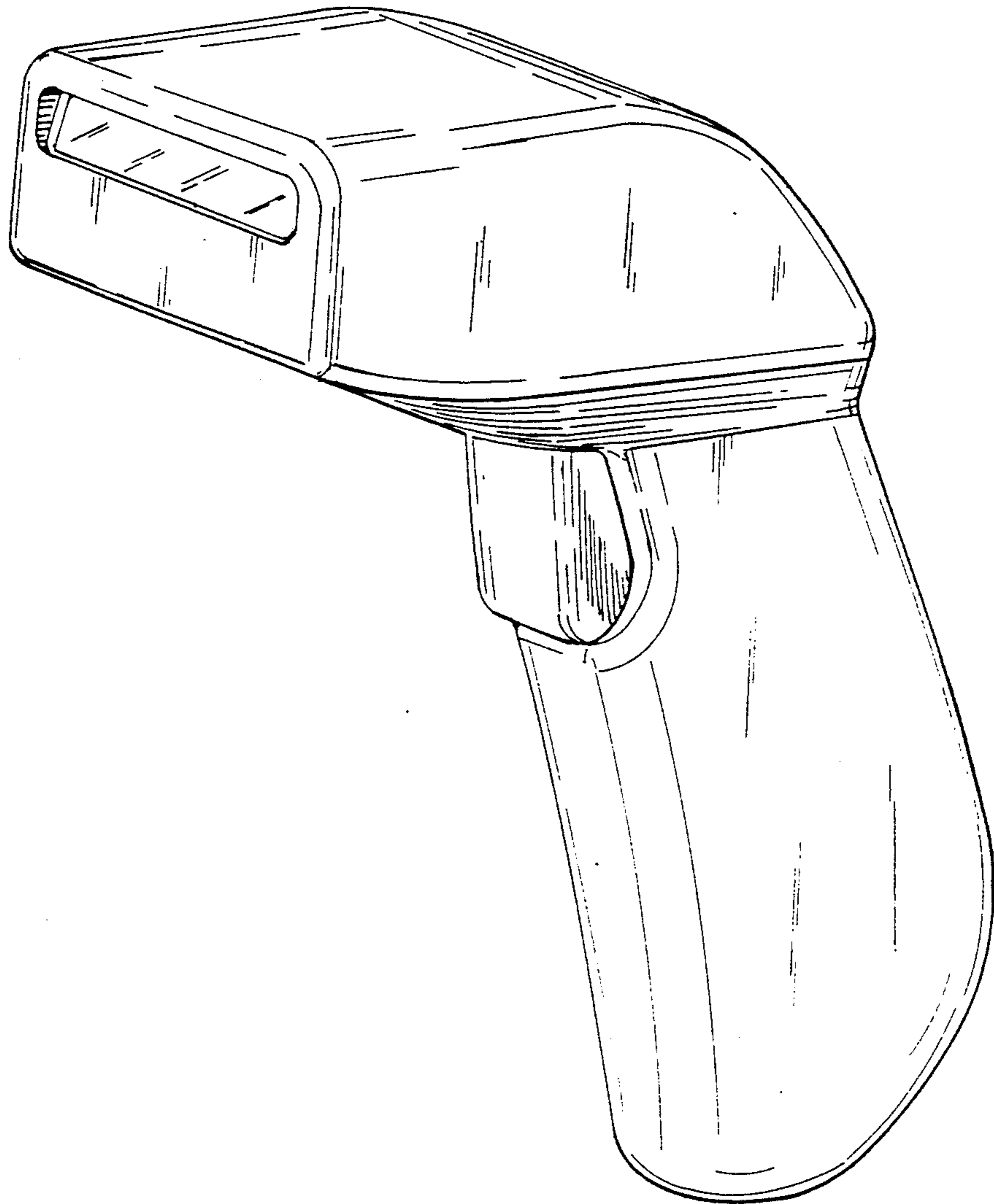
**DESCRIPTION**

FIG. 1 is a front perspective view of a hand held bar code scanner showing my new design;  
FIG. 2 is a front elevational view thereof;  
FIG. 3 is a rear elevational view thereof;  
FIG. 4 is a right side view thereof;  
FIG. 5 is a left side view thereof;  
FIG. 6 is a bottom plan view thereof; and,  
FIG. 7 is a top plan view thereof.

[56] **References Cited**

**U.S. PATENT DOCUMENTS**

D. 298,630 11/1988 Sellars, Jr. et al. .... D14/116  
D. 305,885 2/1990 Barkan et al. .... D14/116



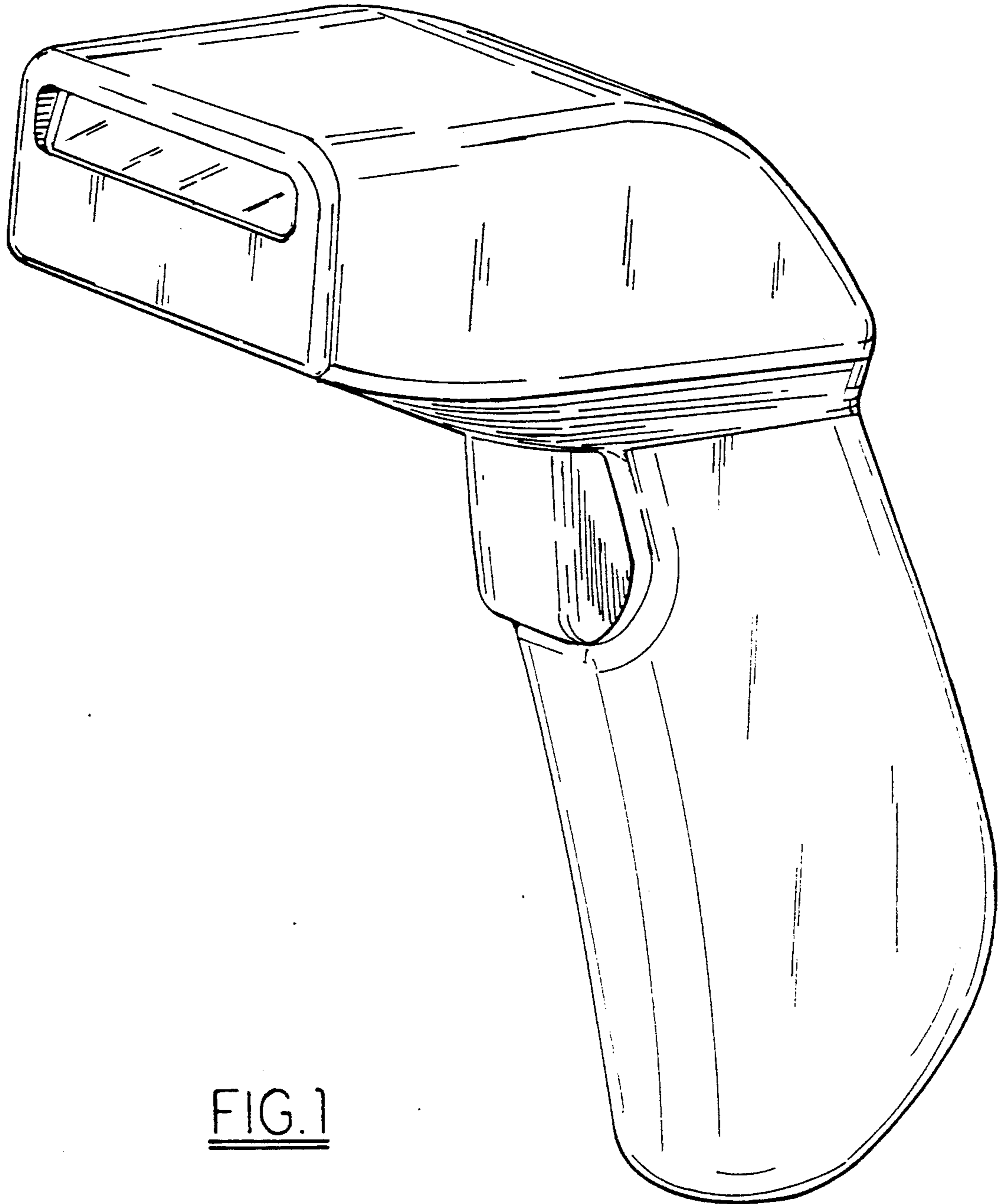


FIG. 1

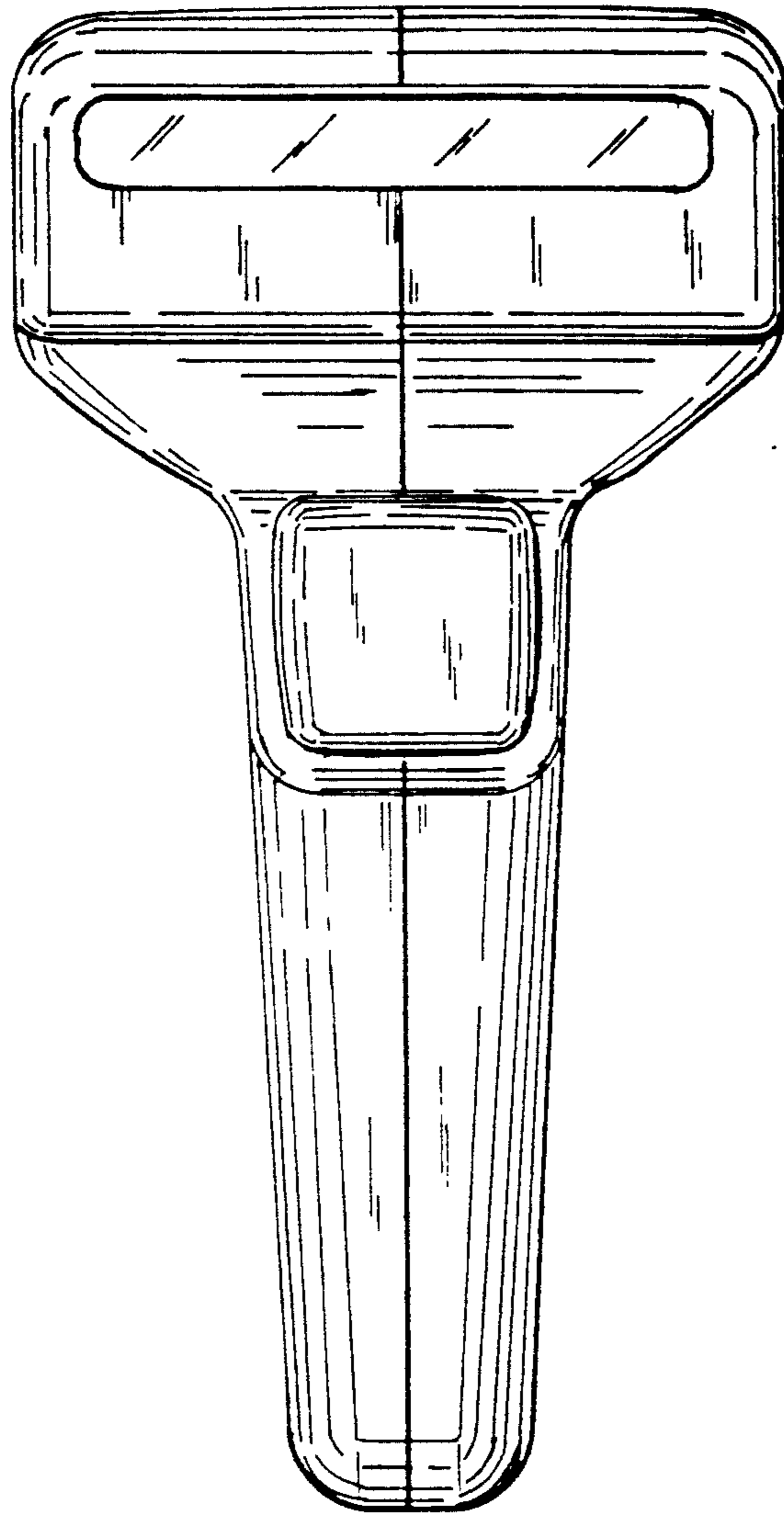


FIG. 2

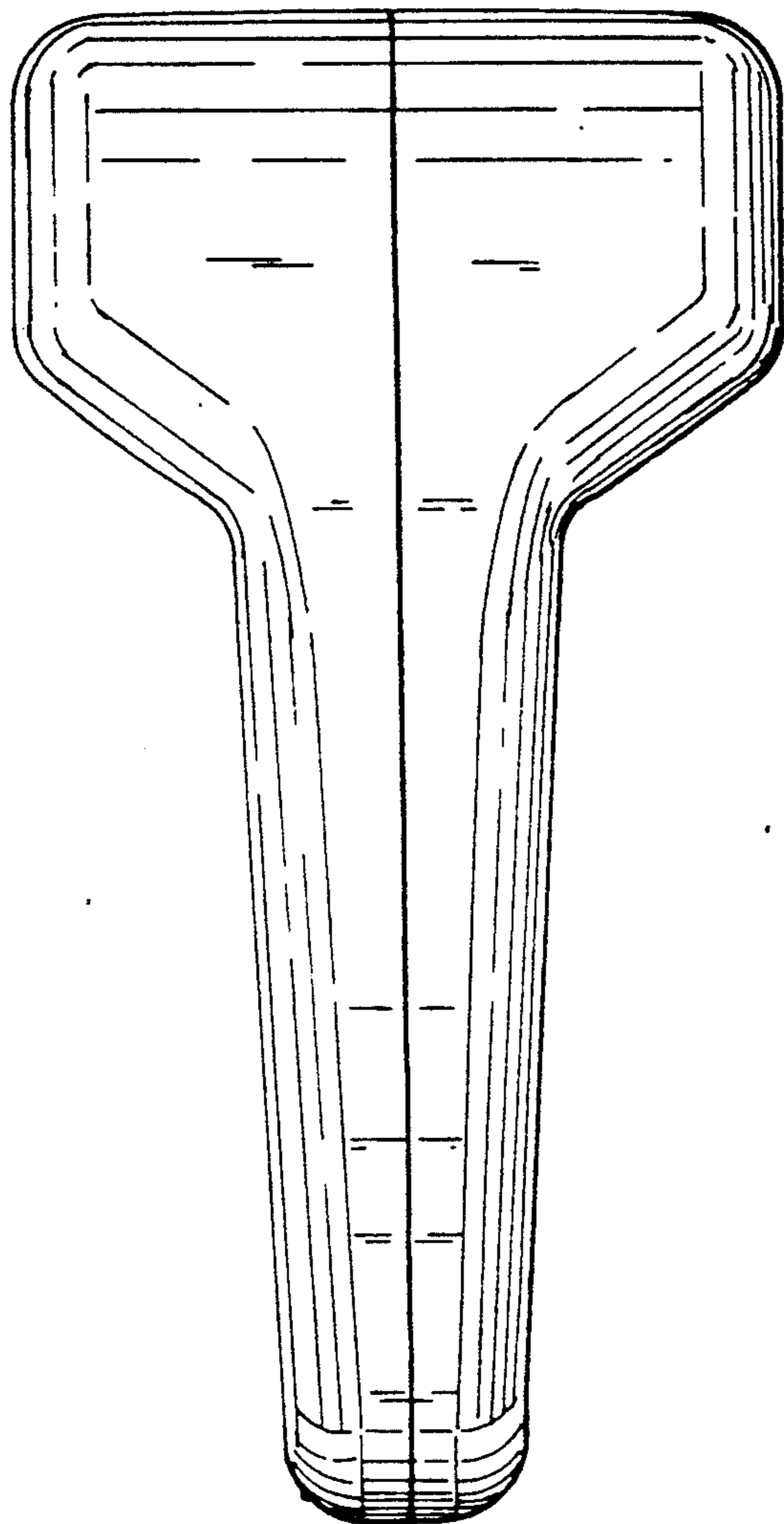


FIG. 3

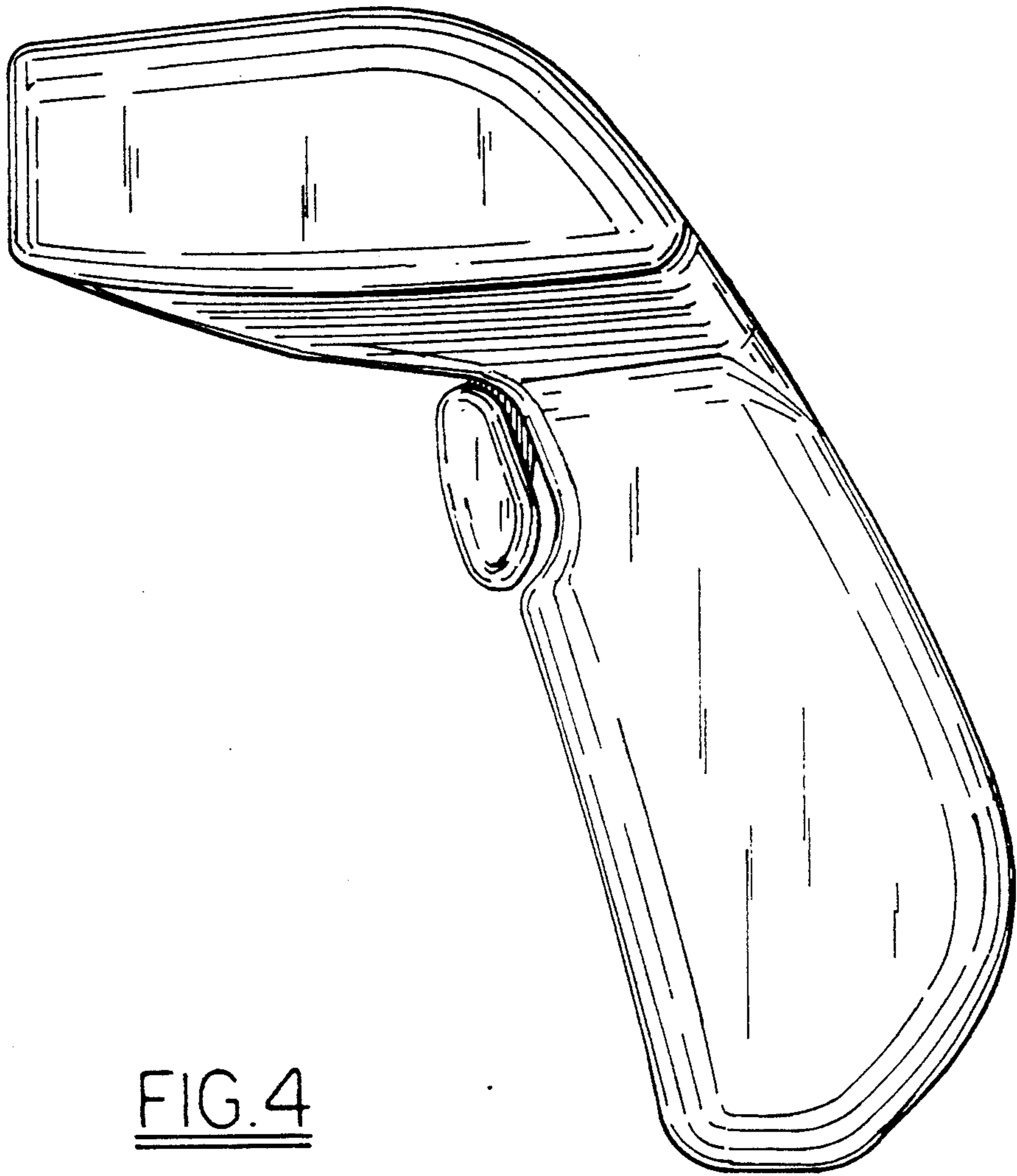


FIG. 4

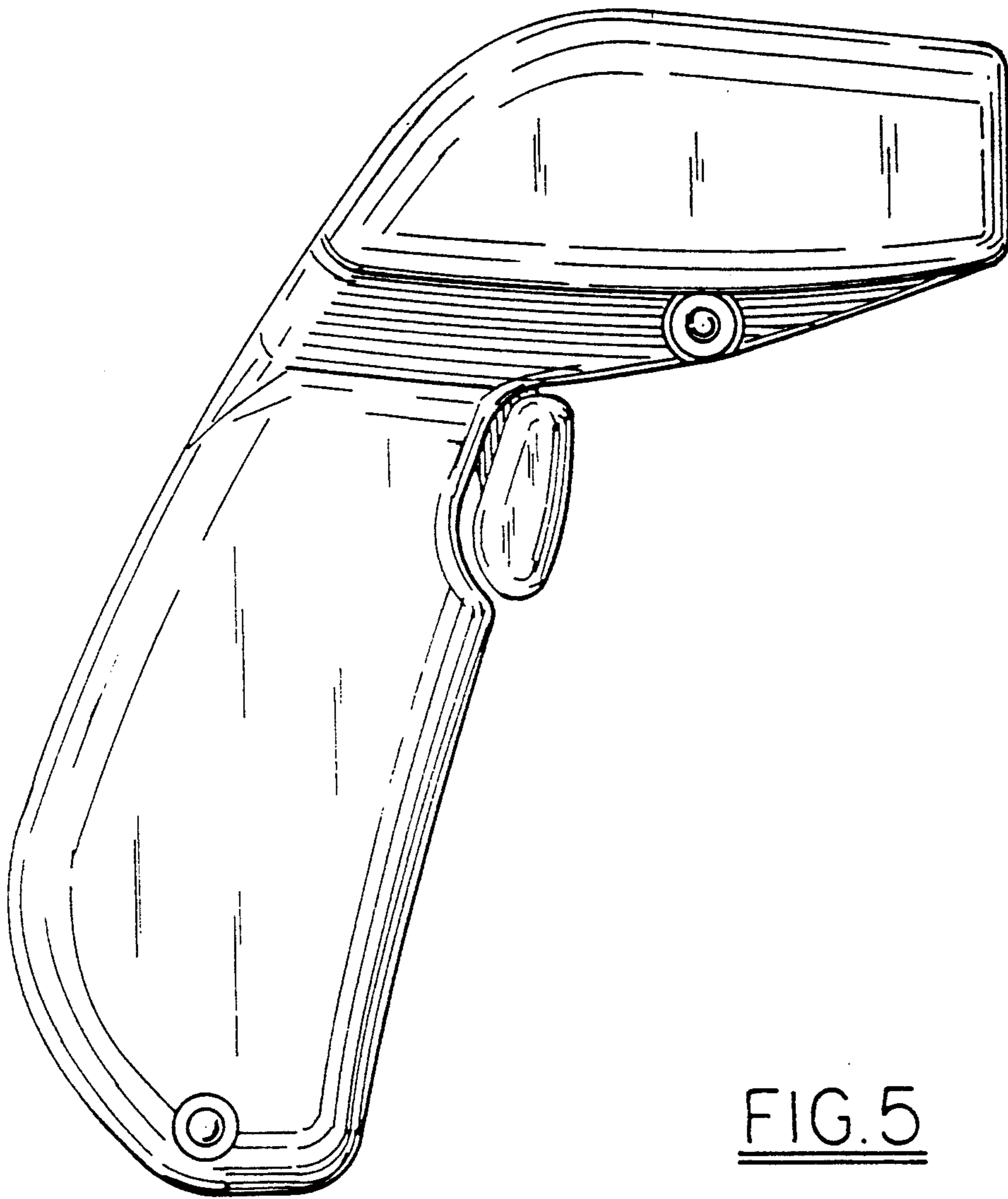


FIG. 5

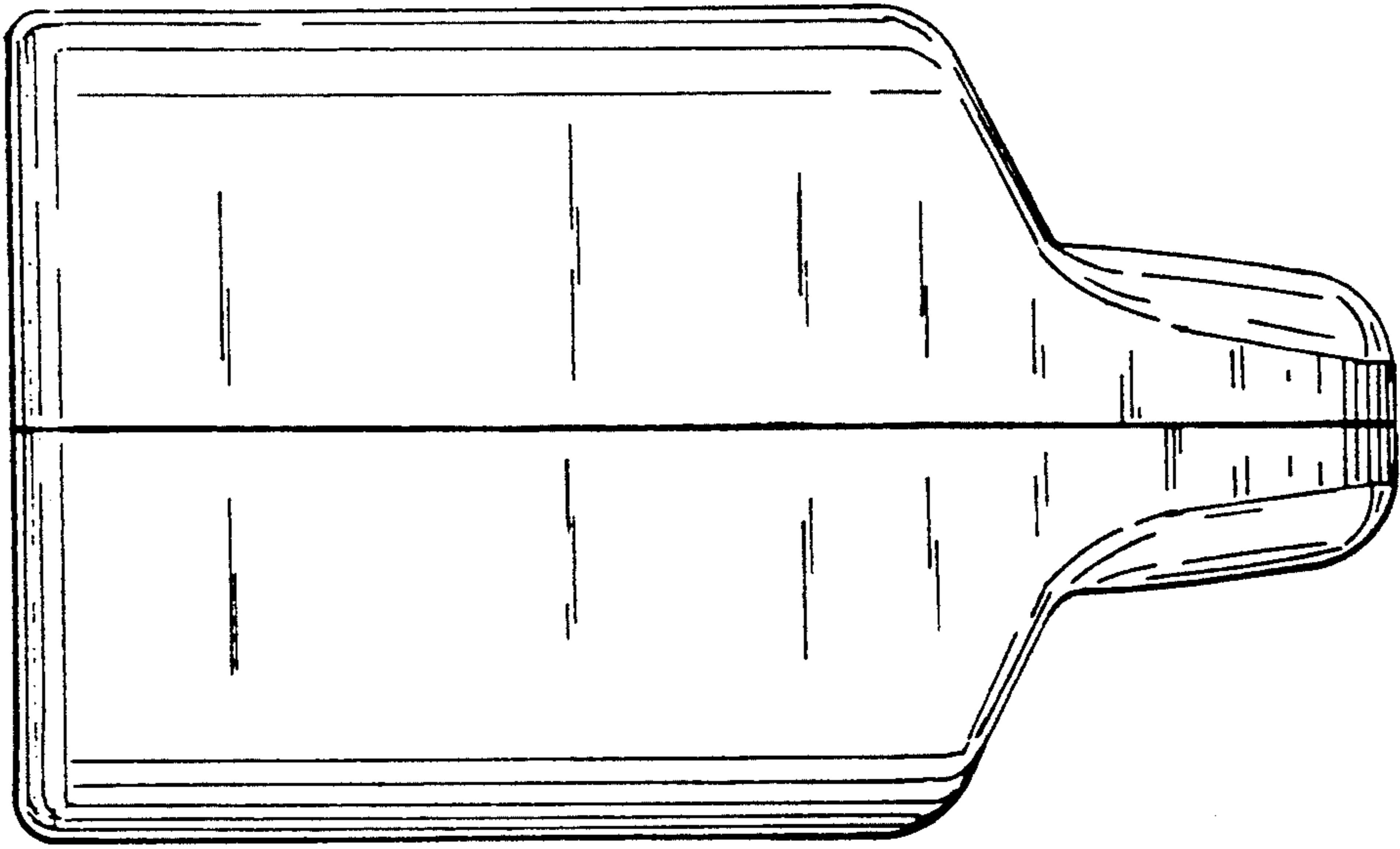


FIG. 7

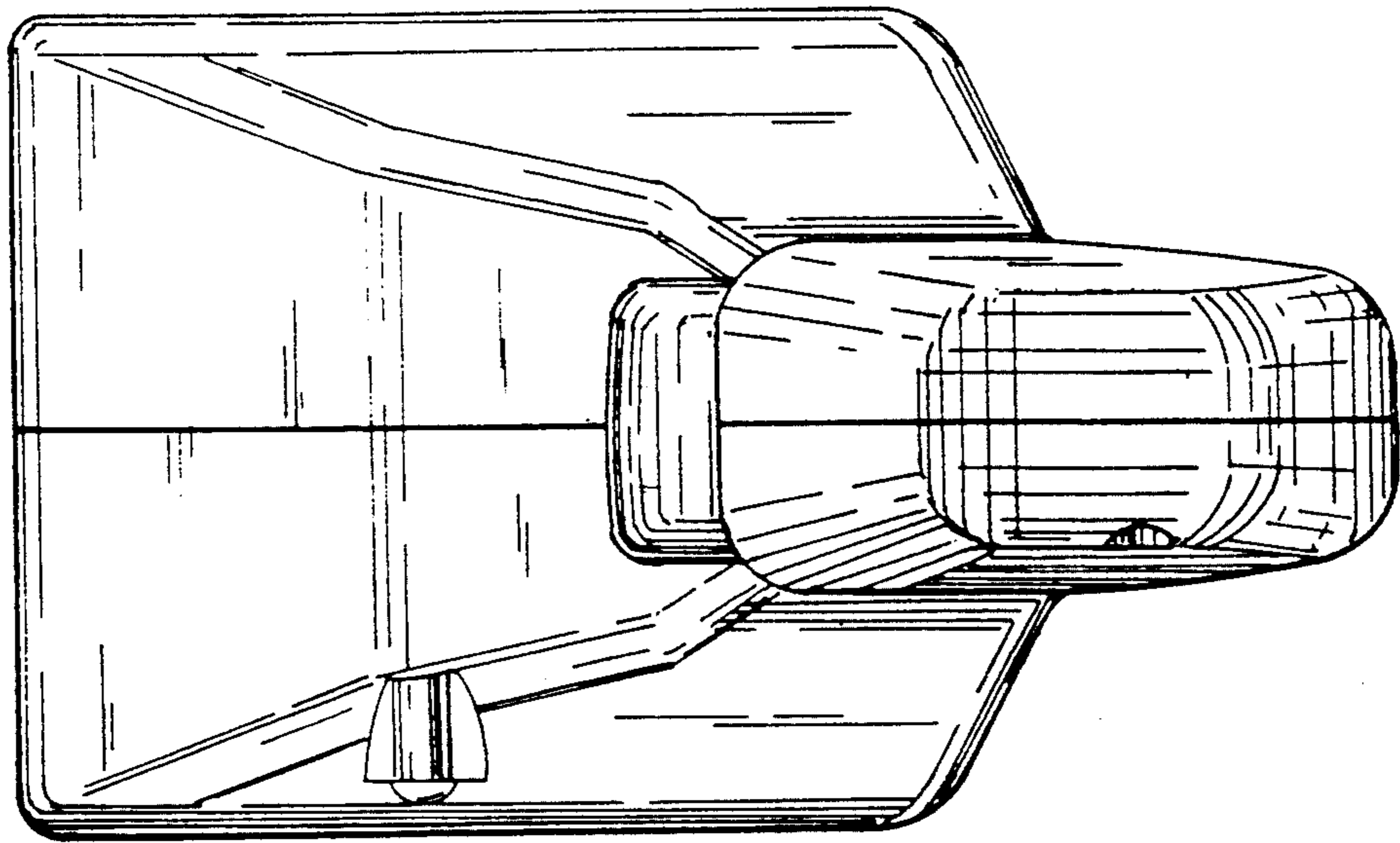


FIG. 6