



US00D349107S

# United States Patent [19]

Rude et al.

[11] Patent Number: **Des. 349,107**

[45] Date of Patent: **\*\* Jul. 26, 1994**

[54] **COMPUTER KEYBOARD HOLDER**

[75] Inventors: **Adam B. Rude**, 165 W. 66th St., New York, N.Y. 10023; **George Schmidt**, 11 Melrose La., Douglaston, N.Y. 11363

[73] Assignee: **Adam B. Rude**, New York, N.Y.

[\*\*] Term: **14 Years**

[21] Appl. No.: **850,786**

[22] Filed: **Mar. 13, 1992**

[52] U.S. Cl. .... **D14/114**

[58] Field of Search ..... D6/406, 420, 509, 511, D6/436, 430, 510; 211/90, 153, 126; 248/917-924, 678, 442.2, 452, 676, 175, 172, 201, 146; D14/100, 114; D19/86, 92, 95

[56] **References Cited**

**U.S. PATENT DOCUMENTS**

D. 331.045	11/1992	Moerke	.....	D14/114
3,595,513	7/1971	Rehlaender	.....	248/346
4,471,409	9/1984	Dittrich	.....	D14/114 X
4,570,804	2/1986	Meenan	.....	211/126
4,911,389	3/1990	Self	.....	248/146
4,913,390	4/1990	Berke	.....	248/918 X

4,946,121	8/1990	Troke	.....	248/201
4,966,342	10/1990	Noguera	.....	248/172
5,040,760	8/1991	Singer	.....	248/172 X
5,042,761	8/1991	McBride et al.	.....	248/175
5,213,302	5/1993	Rowe, Jr.	.....	248/918

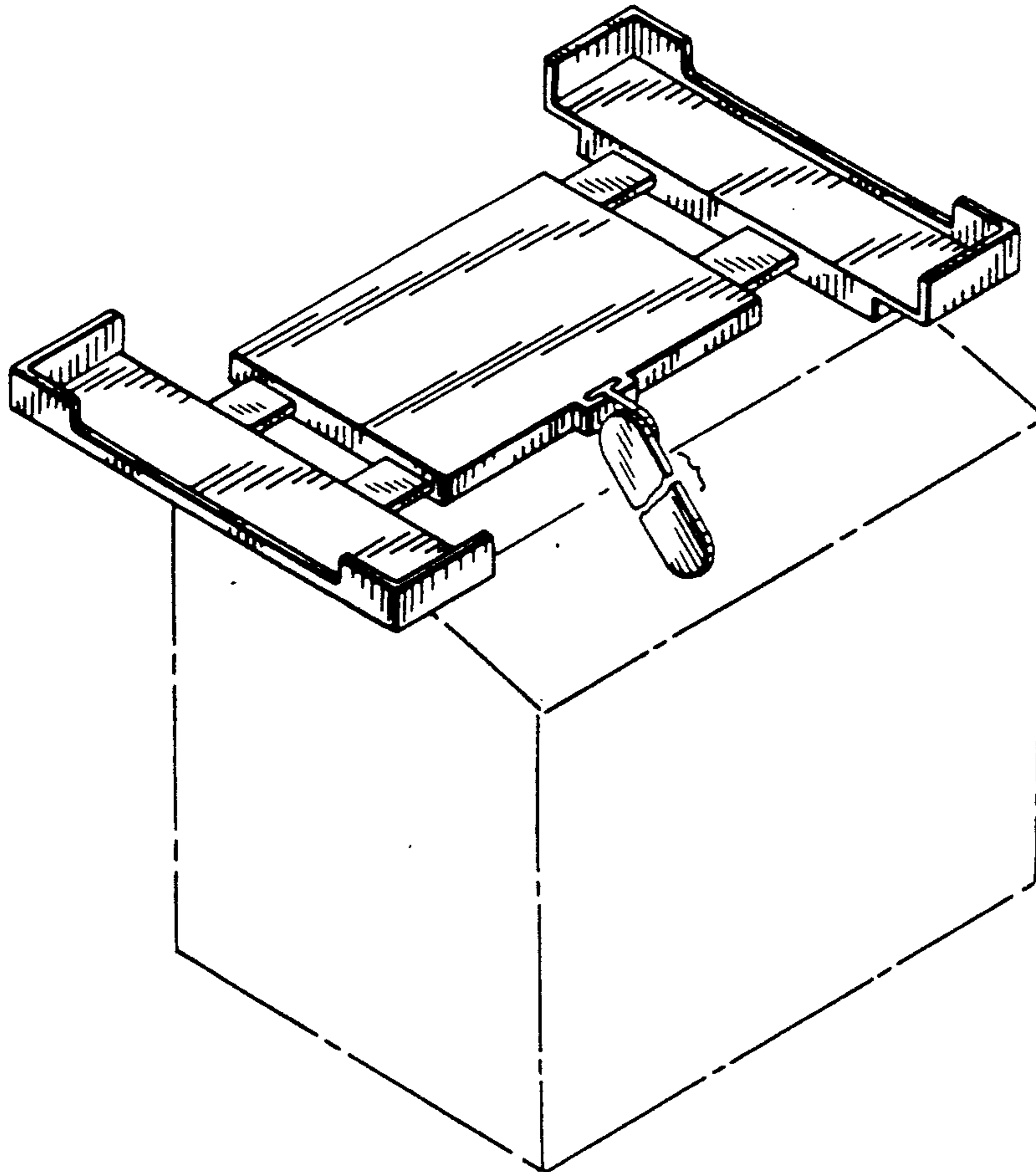
*Primary Examiner*—Wallace R. Burke  
*Assistant Examiner*—M. H. Tung  
*Attorney, Agent, or Firm*—Ostrager, Chong & Flaherty

[57] **CLAIM**

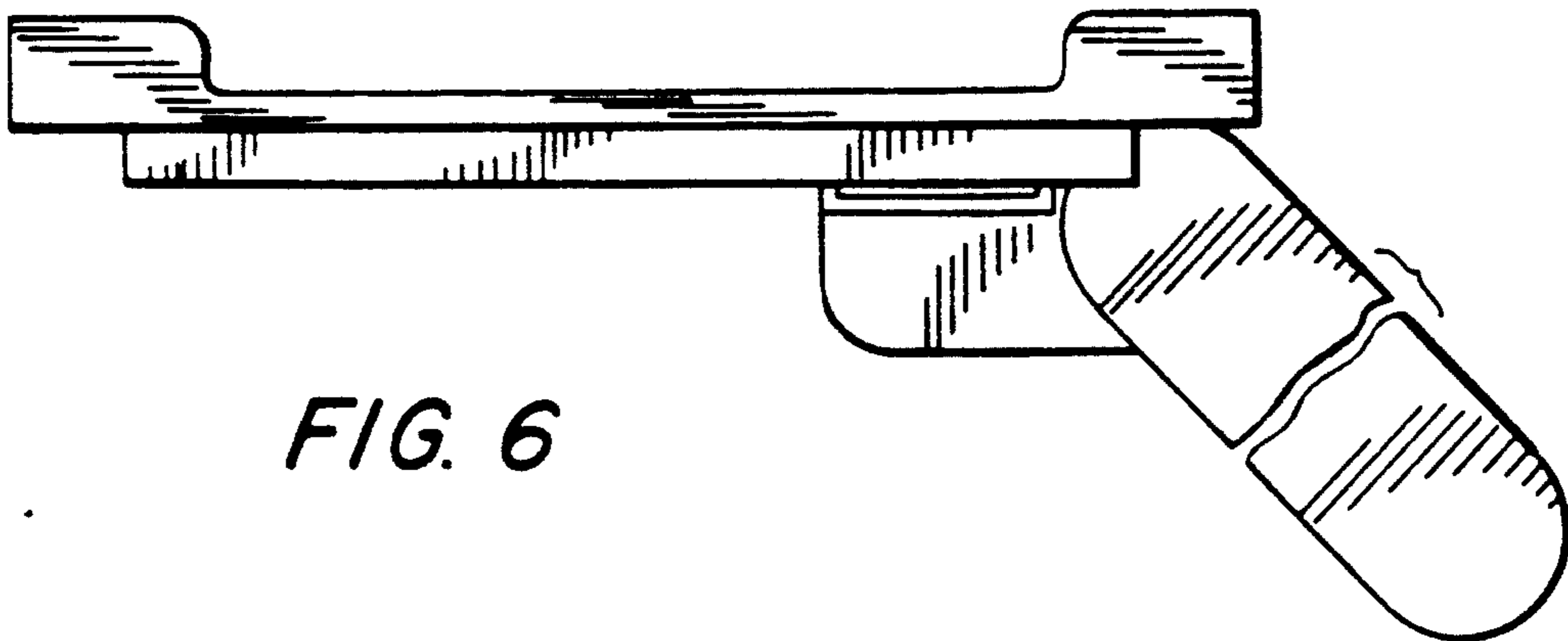
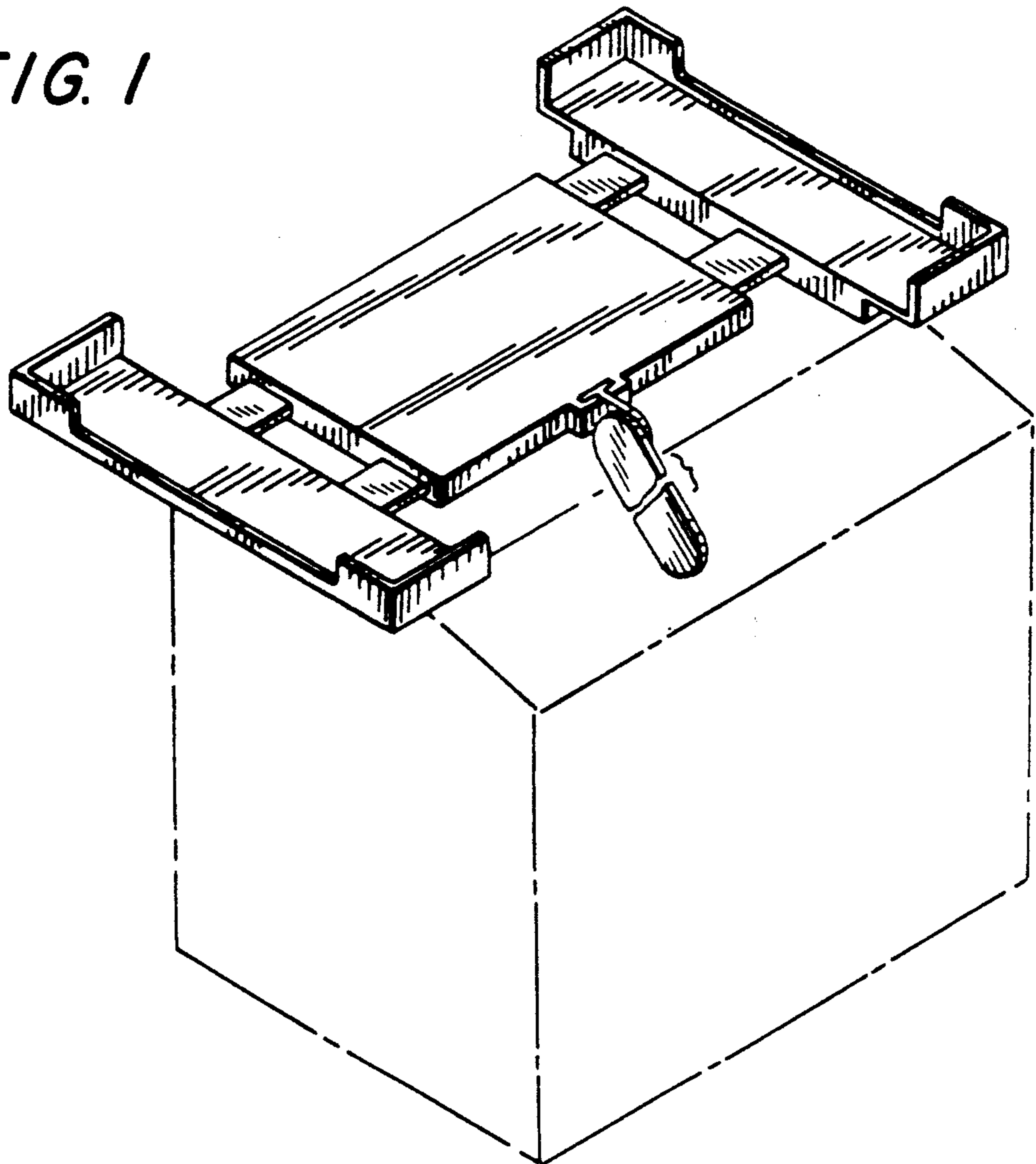
The ornamental design for a computer keyboard holder, as shown and described.

**DESCRIPTION**

FIG. 1 is a top perspective view of a computer keyboard holder showing our new design, on a reduced scale, the broken line drawing of a computer video monitor is for illustrative purposes only and forms no part of the claimed design;  
FIG. 2 is a top plan view thereof;  
FIG. 3 is a bottom plan view thereof;  
FIG. 4 is a front elevational view thereof;  
FIG. 5 is a rear elevational view thereof;  
FIG. 6 is a side elevational view thereof; and,  
FIG. 7 is an opposite side elevational view thereof.  
The elliptical element in FIGS. 1-7 is shown broken away to indicate an indeterminate length.



*FIG. 1*



*FIG. 6*

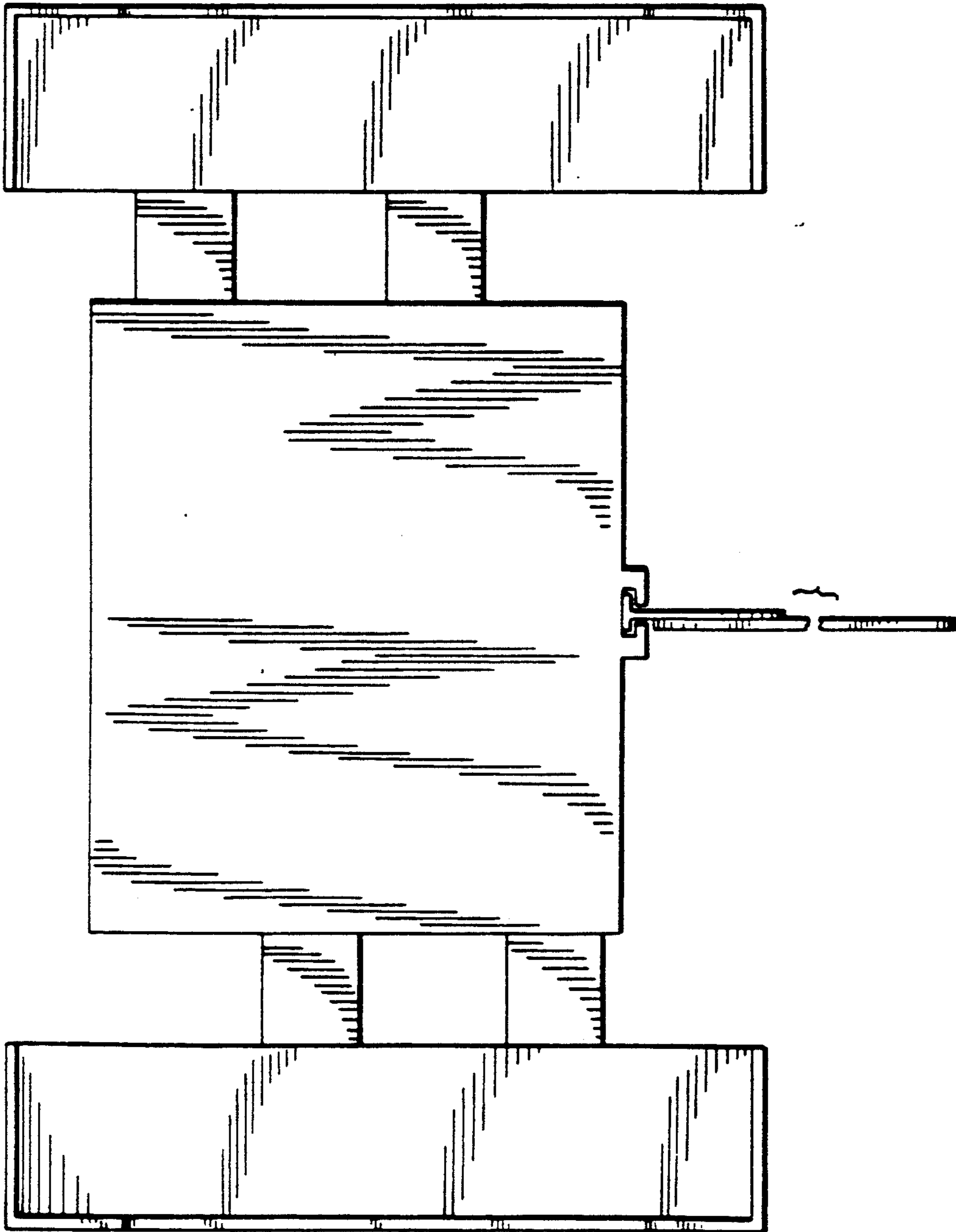


FIG. 2

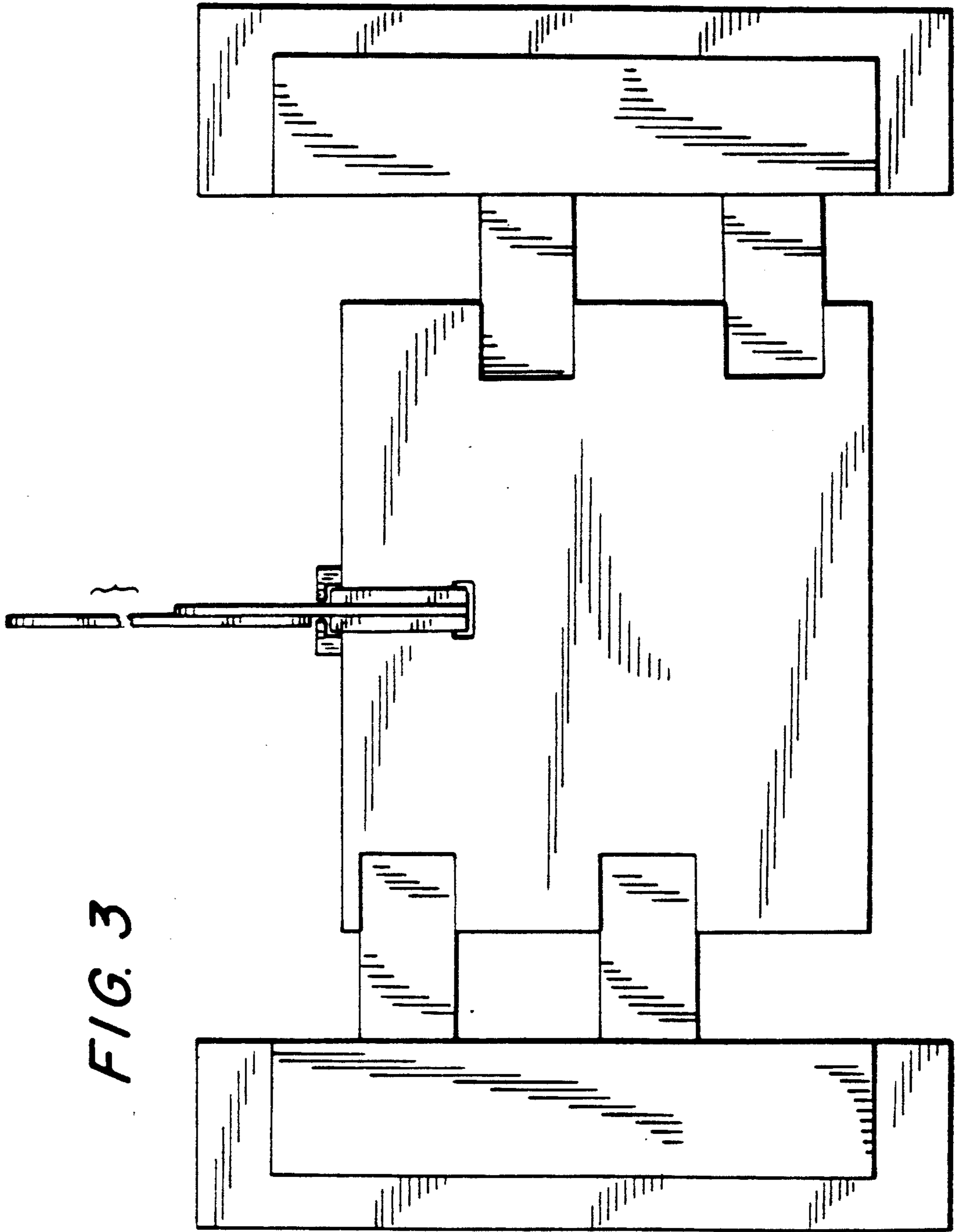
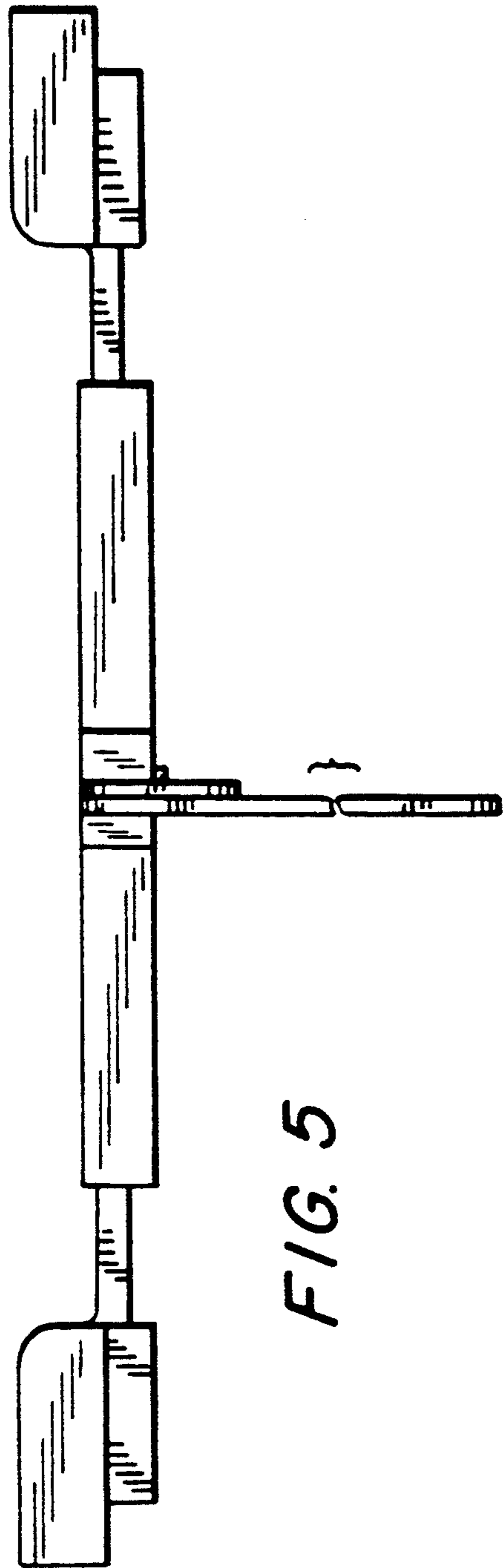
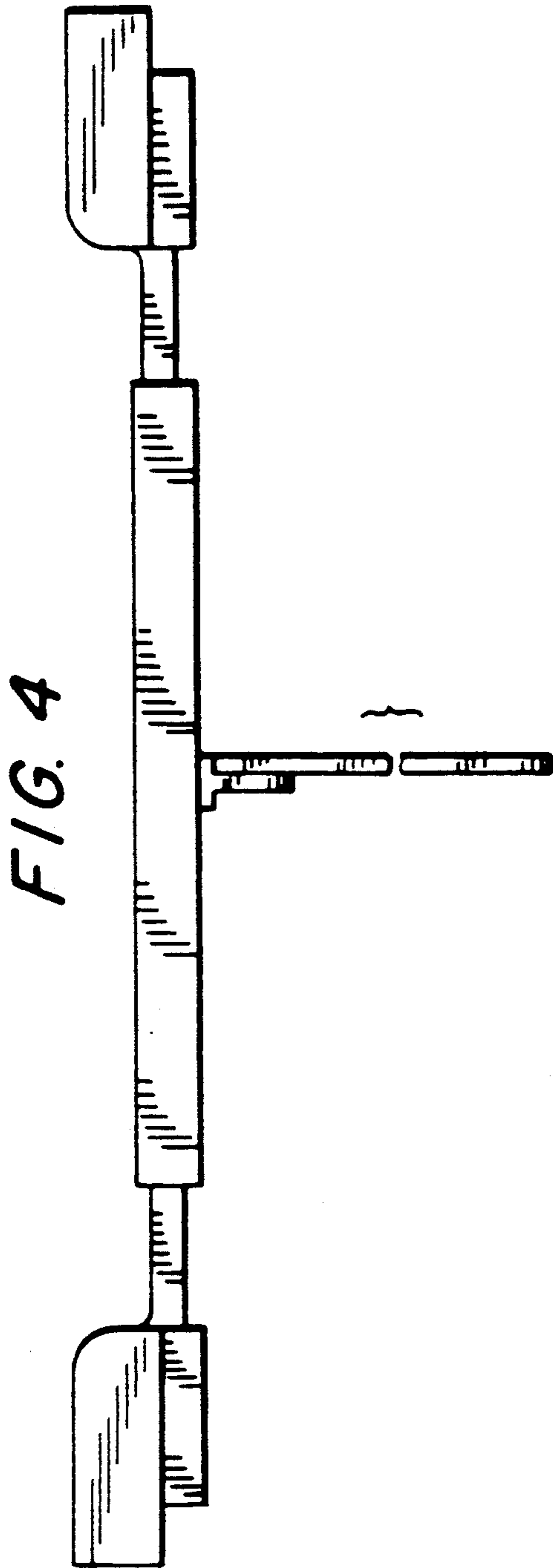


FIG. 3



*FIG. 7*

