



US00D349105S

United States Patent [19]

Okada et al.

[11] Patent Number: **Des. 349,105**

[45] Date of Patent: **** Jul. 26, 1994**

[54] **COMPUTER**

[75] Inventors: **Shimon Okada; Masaharu Sawatani; Nobuaki Iwabuchi; Yuka Fukagawa; Katsuo Fukuyama**, all of Kamakura, Japan

[73] Assignee: **Mitsubishi Denki Kabushiki Kaisha**, Tokyo, Japan

[*] Notice: The portion of the term of this patent subsequent to Oct. 19, 2007 has been disclaimed.

[**] Term: **14 Years**

[21] Appl. No.: **819,930**

[22] Filed: **Jan. 13, 1992**

[30] **Foreign Application Priority Data**

Jul. 19, 1991 [JP] Japan 3-21599

[52] U.S. Cl. **D14/106**

[58] Field of Search 235/145 A, 145 R; 340/700, 706; 341/22, 23; 361/390, 394; 364/708, 709.04; D14/100, 106, 115; D18/1, 7, 11, 12

[56] **References Cited**

U.S. PATENT DOCUMENTS

D. 293,677	1/1988	Hara et al.	D14/106
D. 293,678	1/1988	Sawatani et al.	D14/106
D. 294,831	3/1988	Hara et al.	D14/106
D. 307,581	5/1990	Ooshima	D14/106
D. 313,979	1/1991	Miyakuni	D14/106

D. 321,177	10/1991	Imamura et al.	D14/106
D. 323,157	1/1992	Mia Jie	D14/106
D. 329,045	9/1992	Kobayashi	D14/106
D. 331,393	12/1992	Iino	D14/106
D. 331,919	12/1992	Sekino et al.	D14/106

OTHER PUBLICATIONS

Taiwan Computer, Jun. 1991.

Primary Examiner—Wallace R. Burke

Assistant Examiner—Freda S. Nunn

Attorney, Agent, or Firm—Wolf, Greenfield & Sacks

[57] **CLAIM**

The ornamental design for a computer, as shown and described.

DESCRIPTION

FIG. 1 is a perspective view of a computer showing our new design;

FIG. 2 is a front view thereof;

FIG. 3 is a top plan view thereof;

FIG. 4 is a bottom view thereof;

FIG. 5 is a rear view thereof;

FIG. 6 is a left side view thereof;

FIG. 7 is a right side view thereof;

FIG. 8 is a front view thereof showing the computer with its cover closed;

FIG. 9 is a top plan view thereof;

FIG. 10 is a right side view thereof; and,

FIG. 11 is an enlarged cross-sectional view thereof taken along line 11—11 of FIG. 2 showing the inner structure omitted.

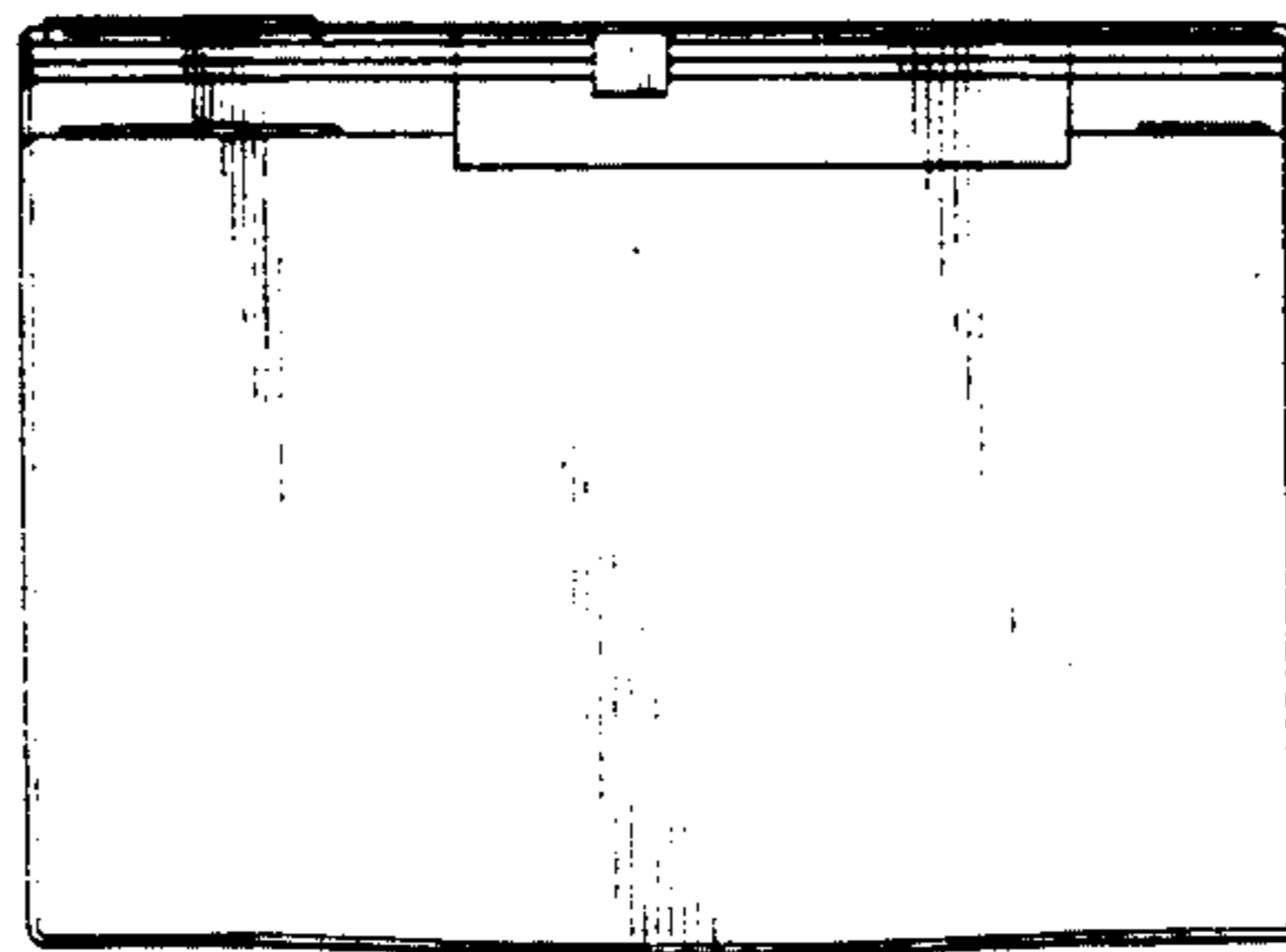
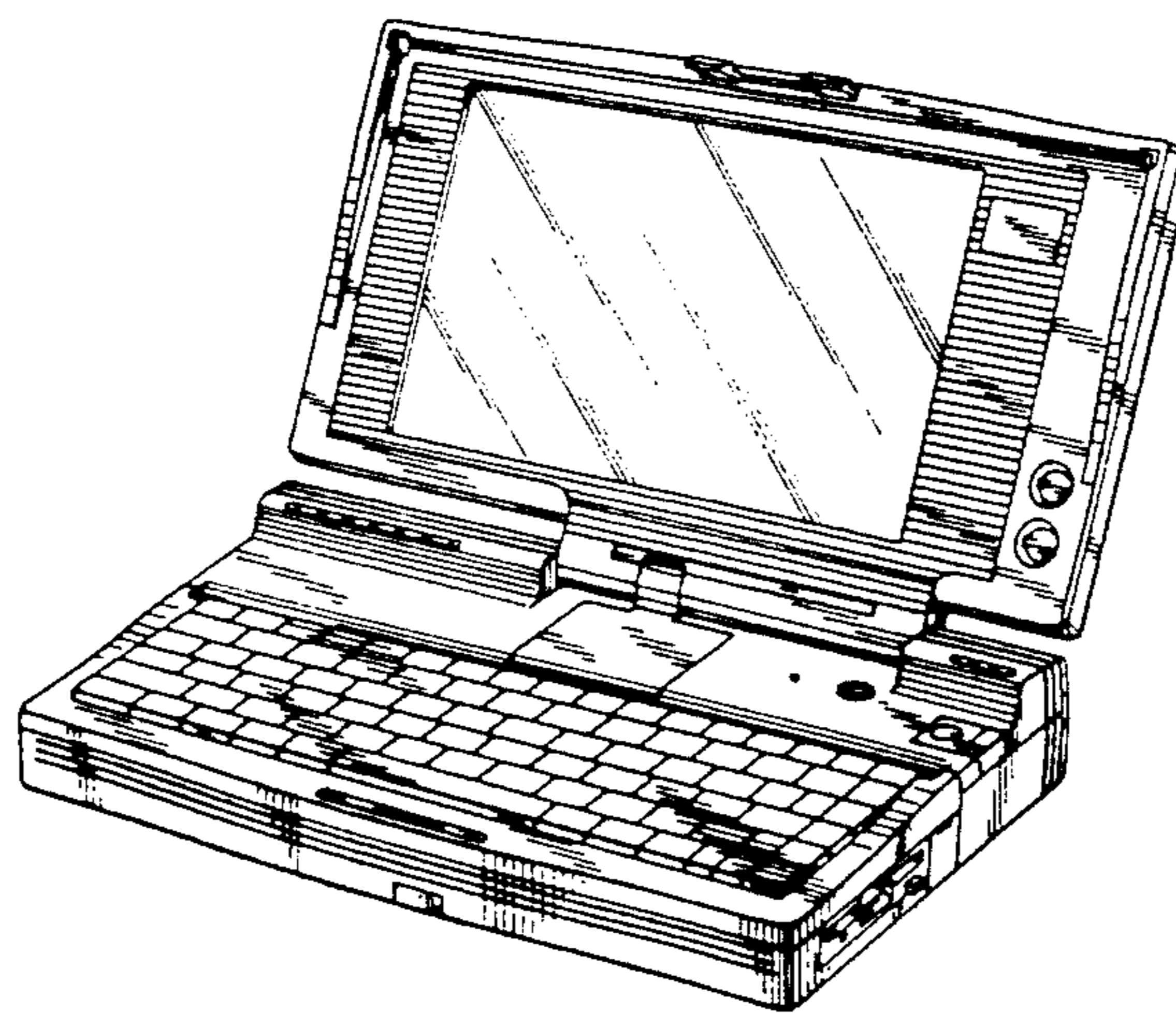


FIG. 1

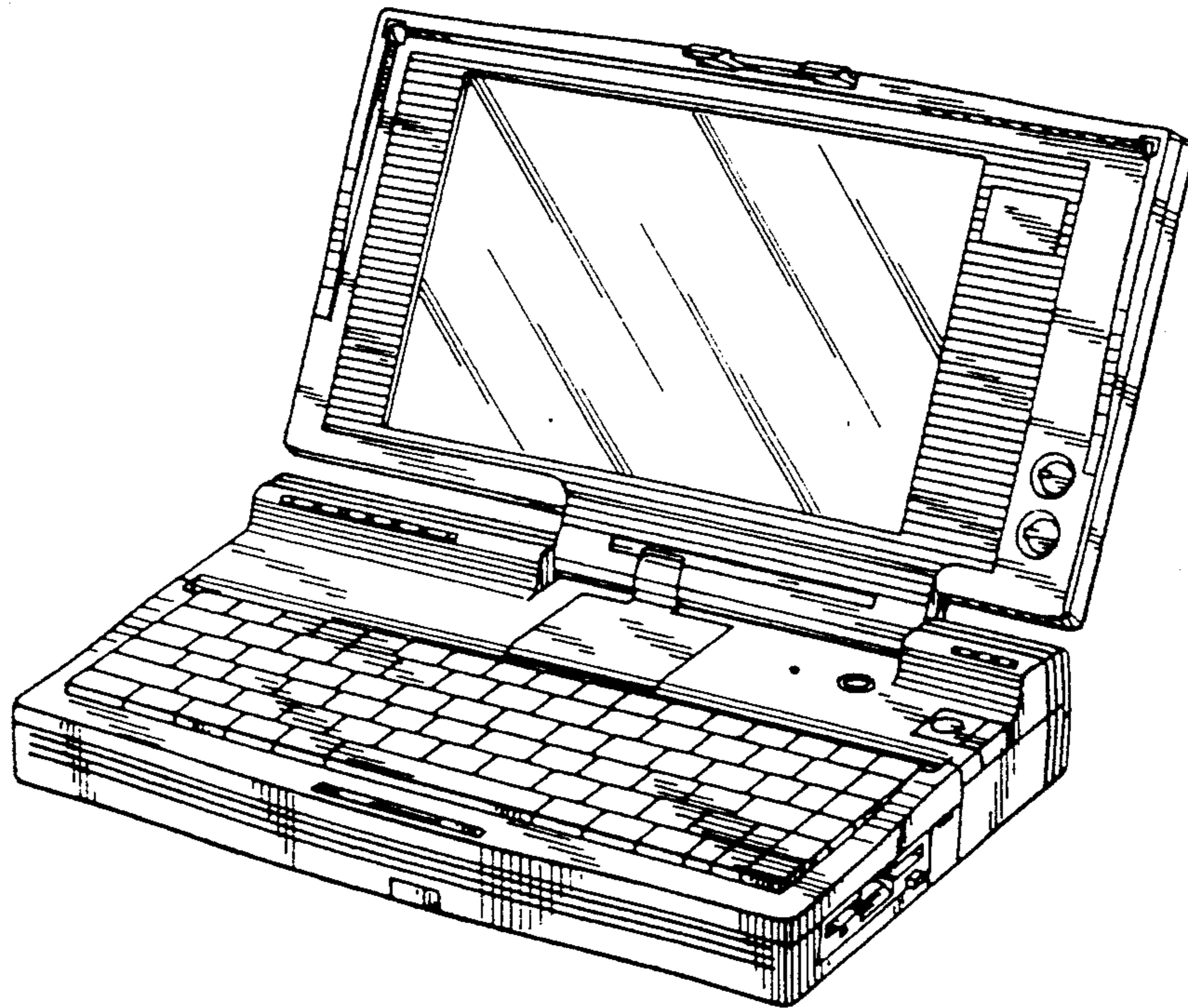


FIG. 2

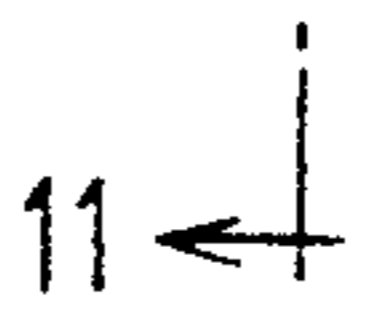
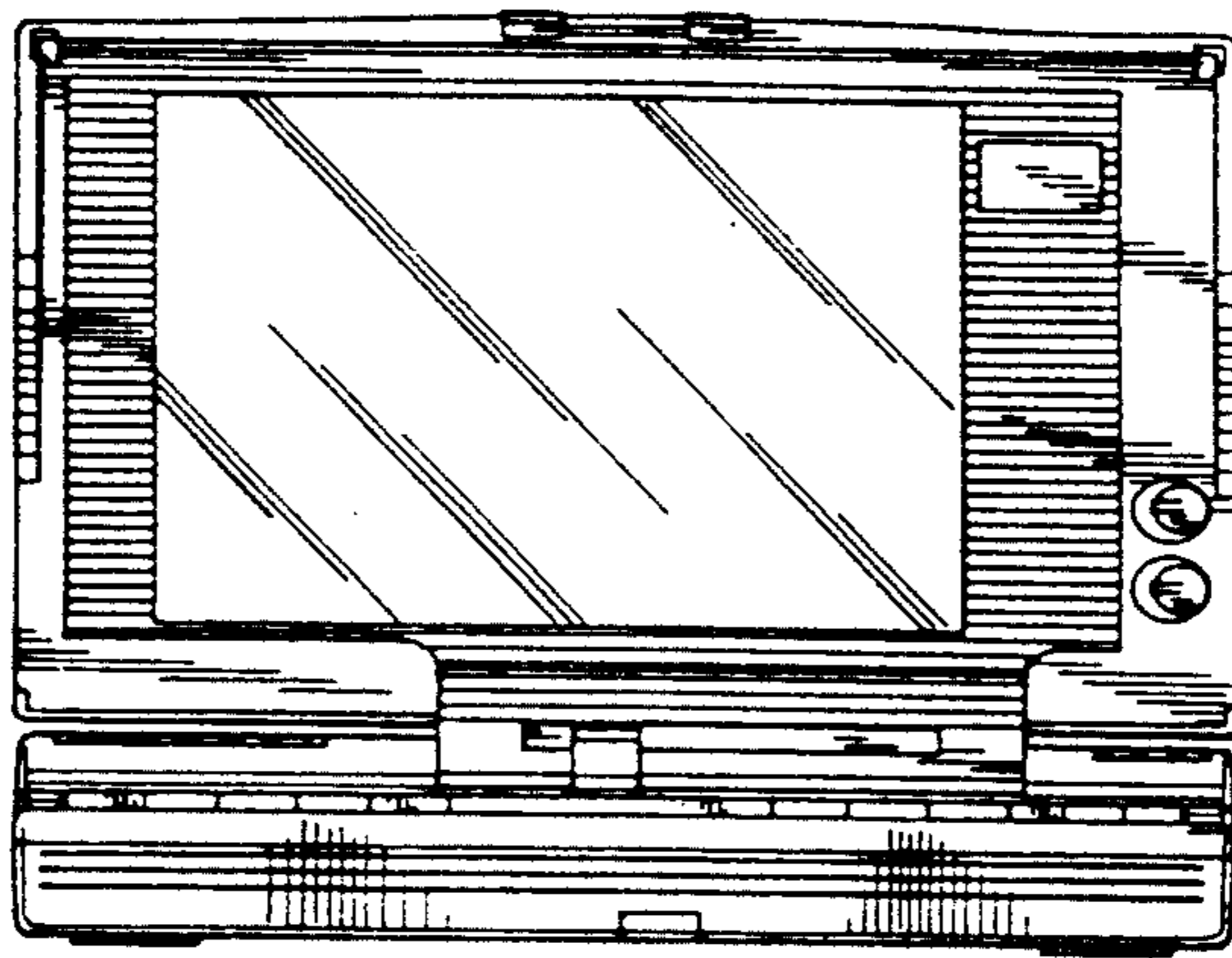
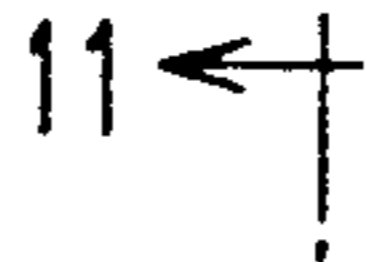


FIG. 3

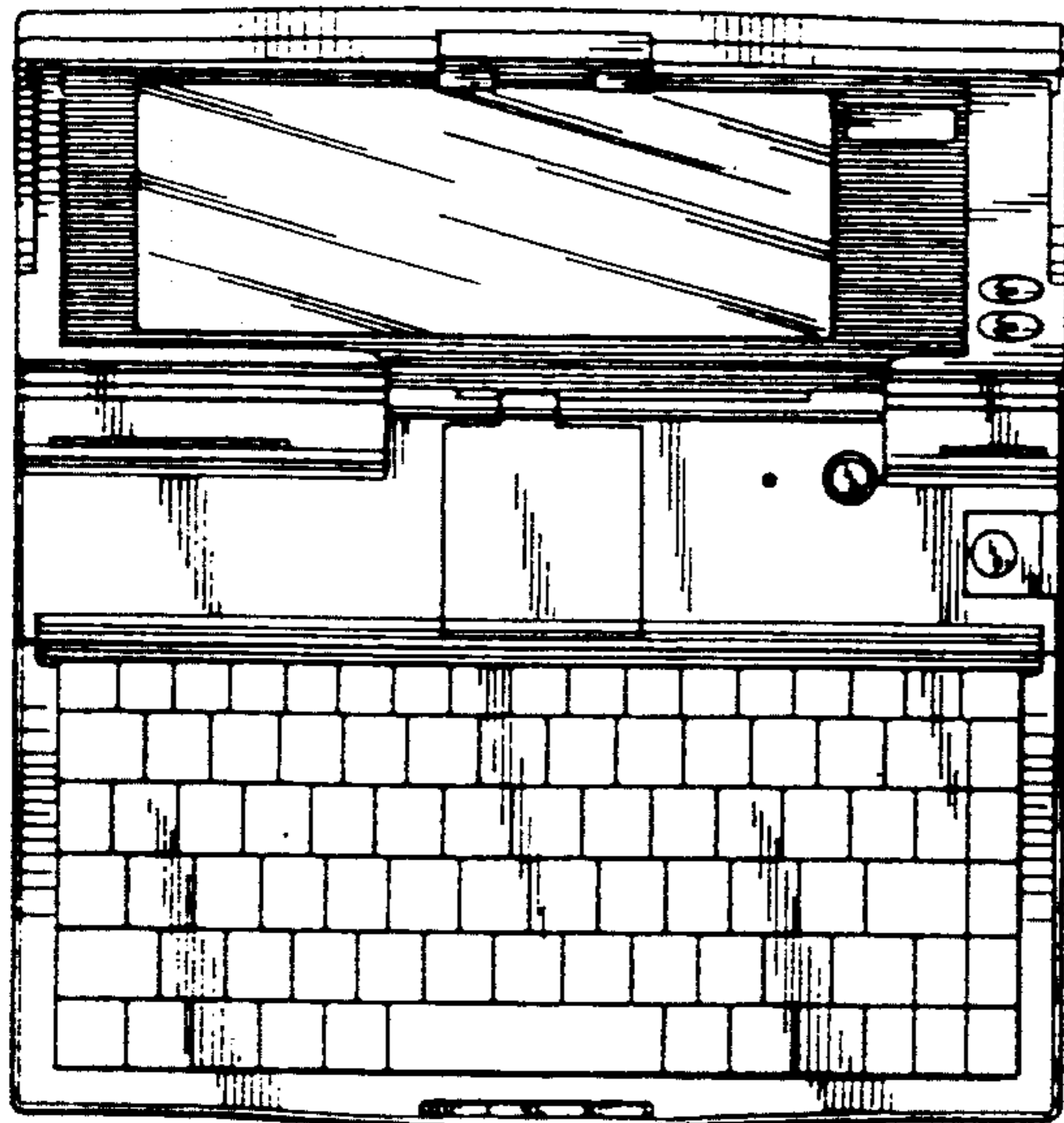


FIG. 4

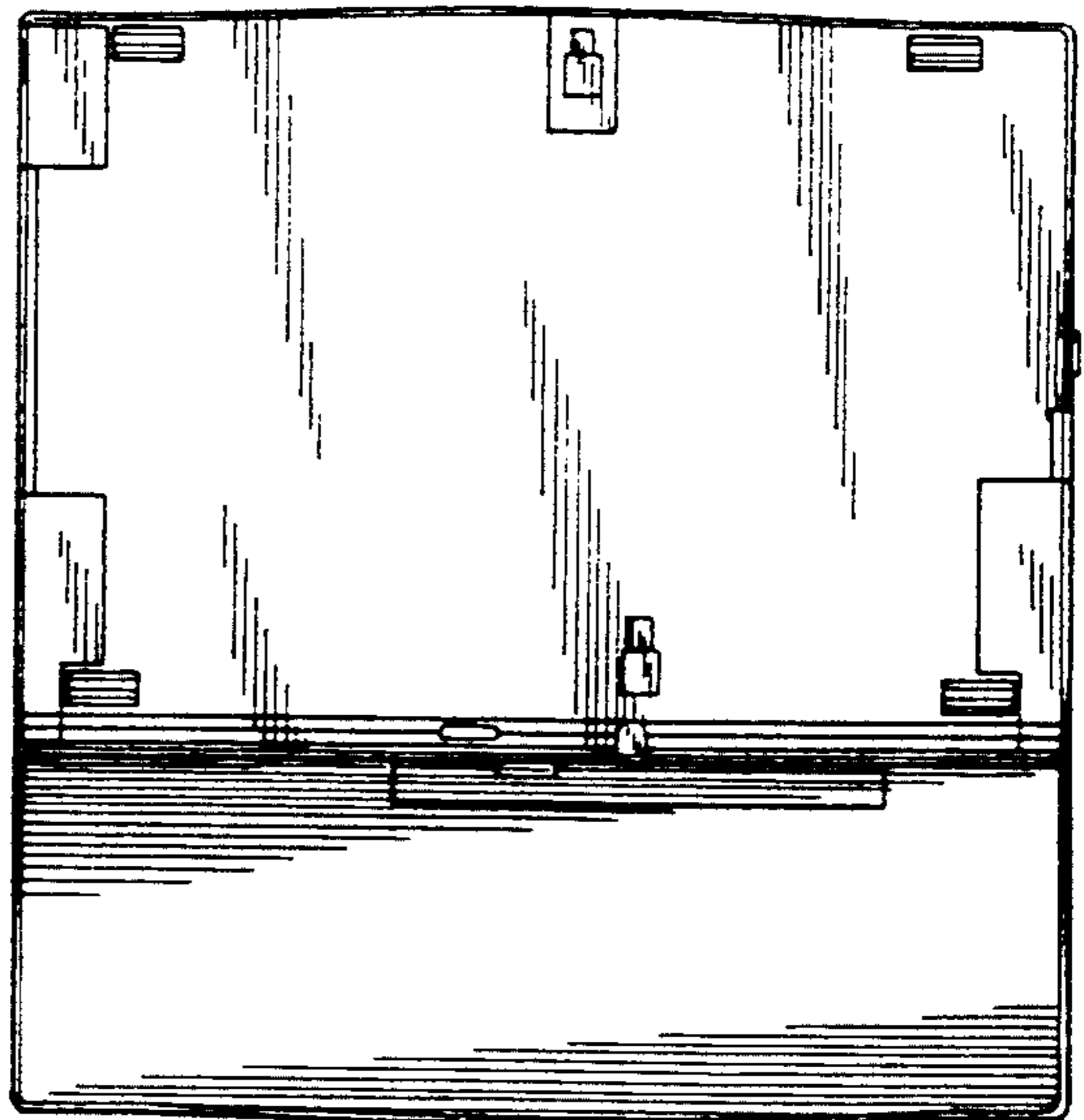


FIG. 5

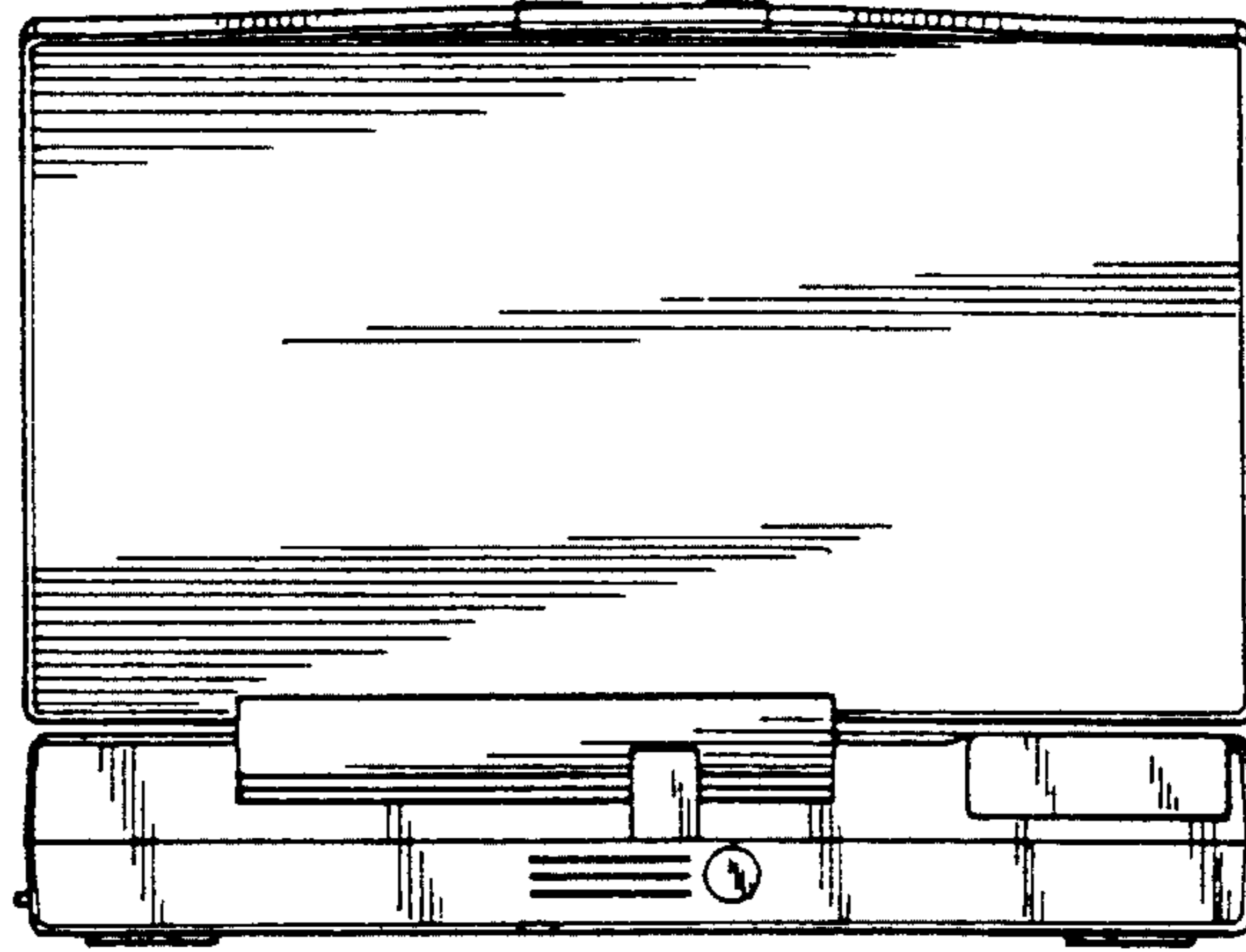


FIG. 6

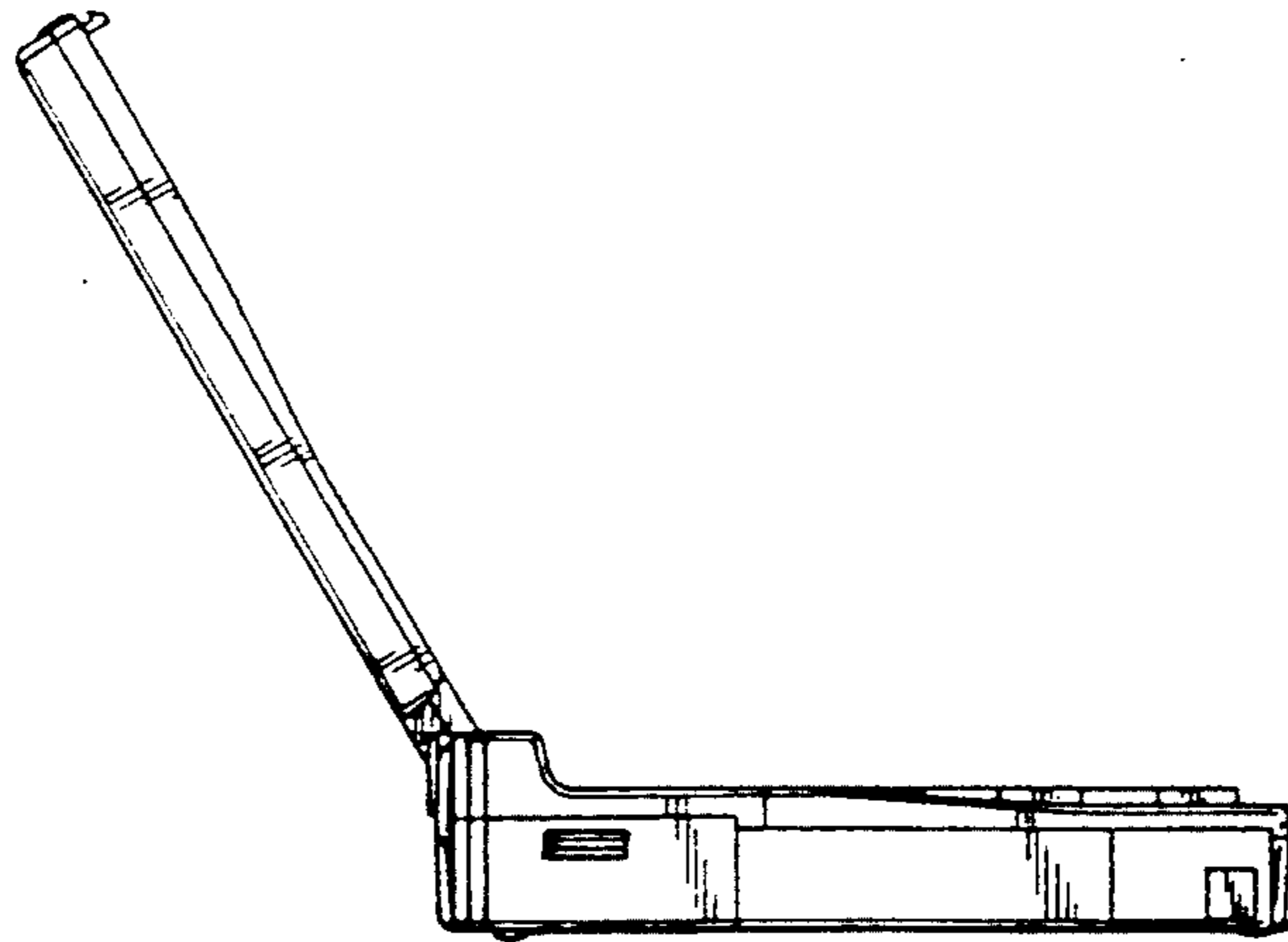


FIG. 7

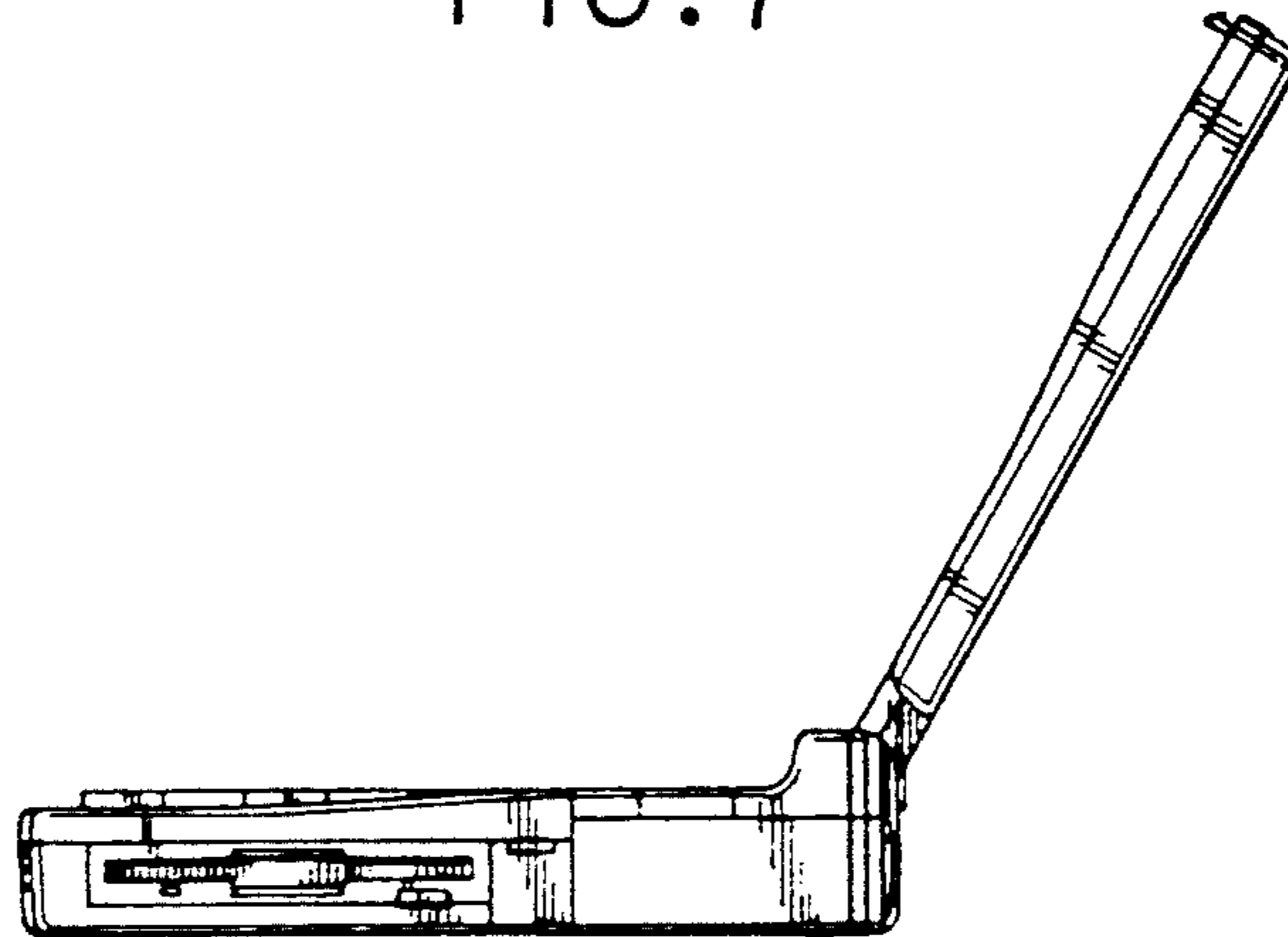


FIG. 8



FIG. 9

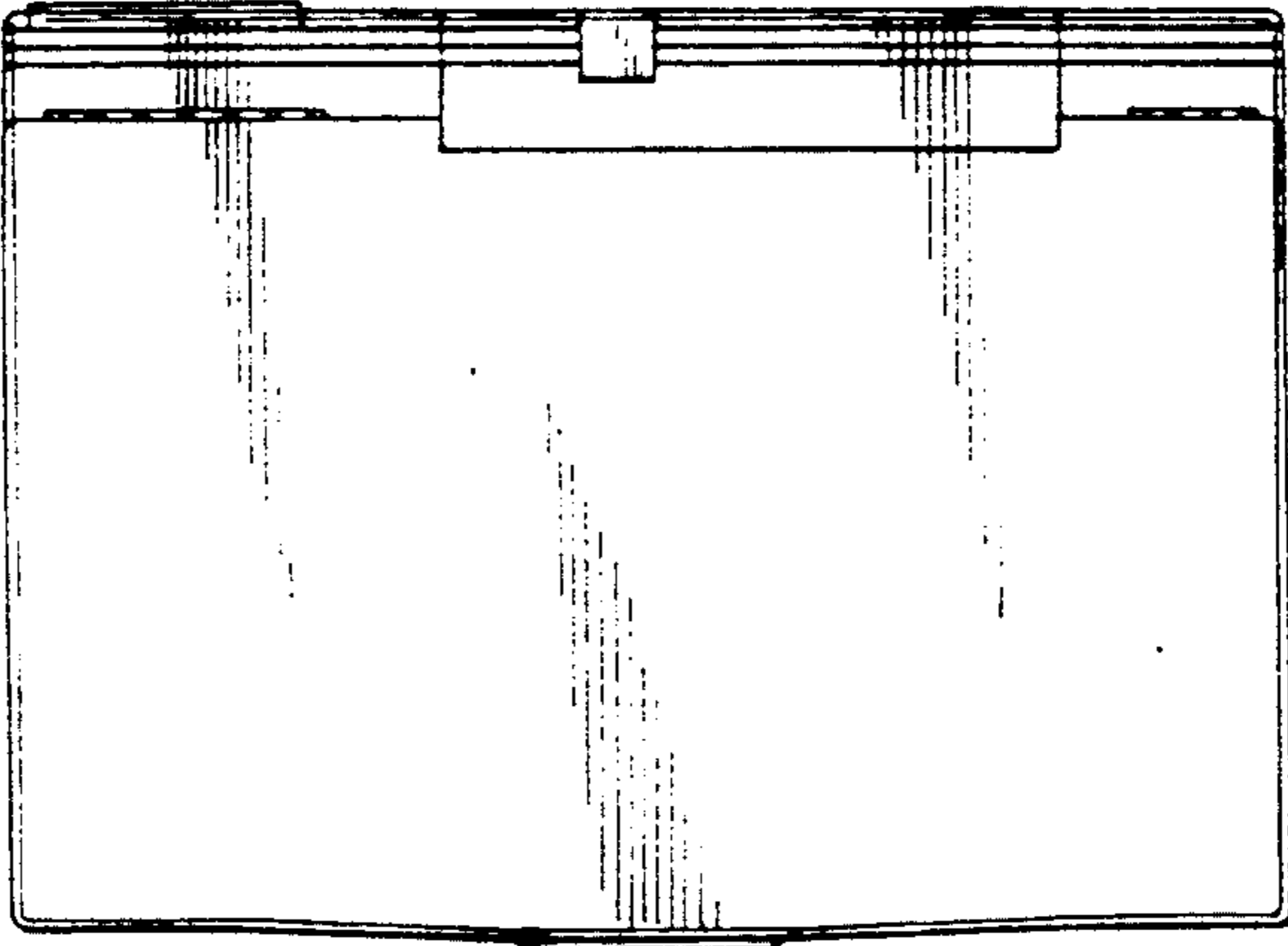


FIG. 10

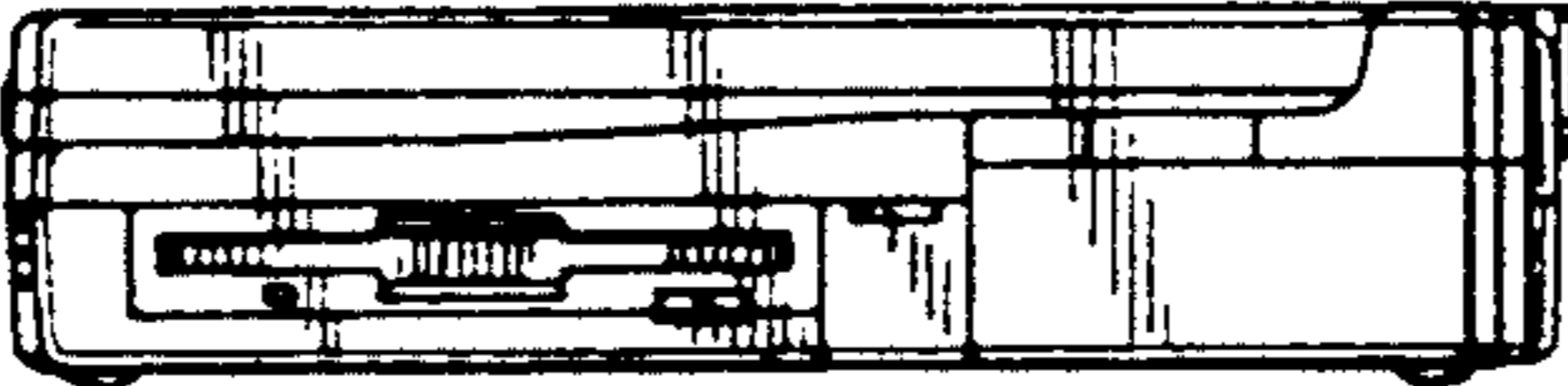


FIG. 11

