



US00D349104S

United States Patent [19]

Wetrin

[11] Patent Number: **Des. 349,104**

[45] Date of Patent: **** Jul. 26, 1994**

[54] **HOUSING FOR A COMPUTER WORKSTATION**

[75] Inventor: **Israel Wetrin, London, England**

[73] Assignee: **Elonex PLC, London, England**

[**] Term: **14 Years**

[21] Appl. No.: **5,144**

[22] Filed: **Feb. 24, 1993**

[30] **Foreign Application Priority Data**

Aug. 27, 1992 [GB] United Kingdom 2025295

[52] U.S. Cl. **D14/100**

[58] Field of Search 312/208.1, 223.2, 223.3, 312/194; 360/99.12; 361/622, 724, 727; D14/100, 107, 108, 109; D13/162, 184, 199

[56] **References Cited**

U.S. PATENT DOCUMENTS

- D. 214,909 8/1969 Brefka D13/184
- D. 305,227 12/1989 Esslinger D14/100
- D. 320,006 9/1991 Ivester D14/100
- D. 331,227 11/1992 Esslinger D14/109 X
- D. 342,943 1/1994 Wetrin D14/100

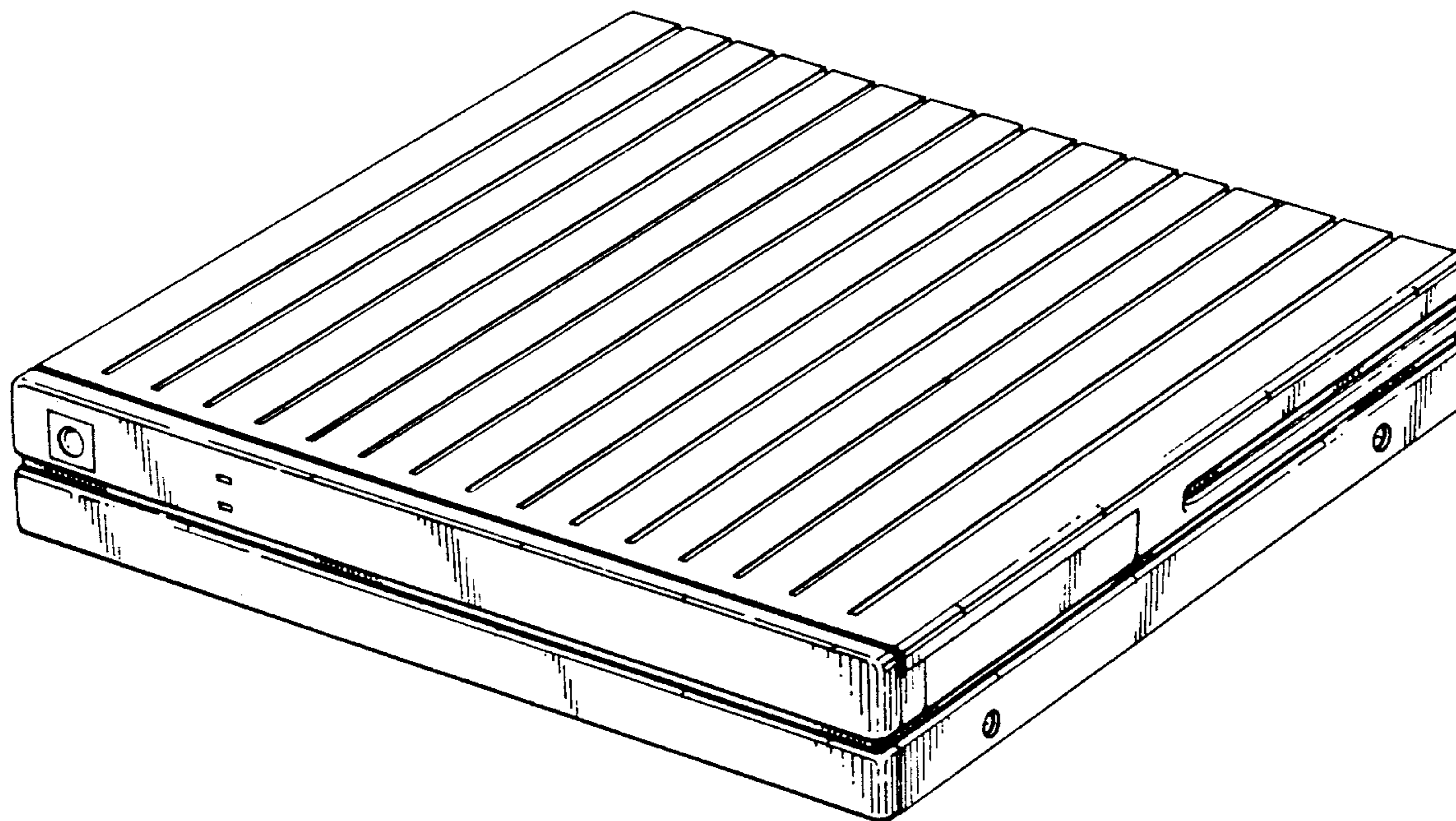
Primary Examiner—Wallace R. Burke
Assistant Examiner—Freda S. Nunn
Attorney, Agent, or Firm—Steven H. Bazerman

[57] **CLAIM**

The ornamental design for a housing for a computer workstation, as shown and described.

DESCRIPTION

FIG. 1 is a top front and left side perspective view showing my new design;
FIG. 2 is a bottom rear and right side perspective view thereof;
FIG. 3 is a front elevational view thereof;
FIG. 4 is a back elevational view thereof; and,
FIG. 5 is a bottom plan view thereof.



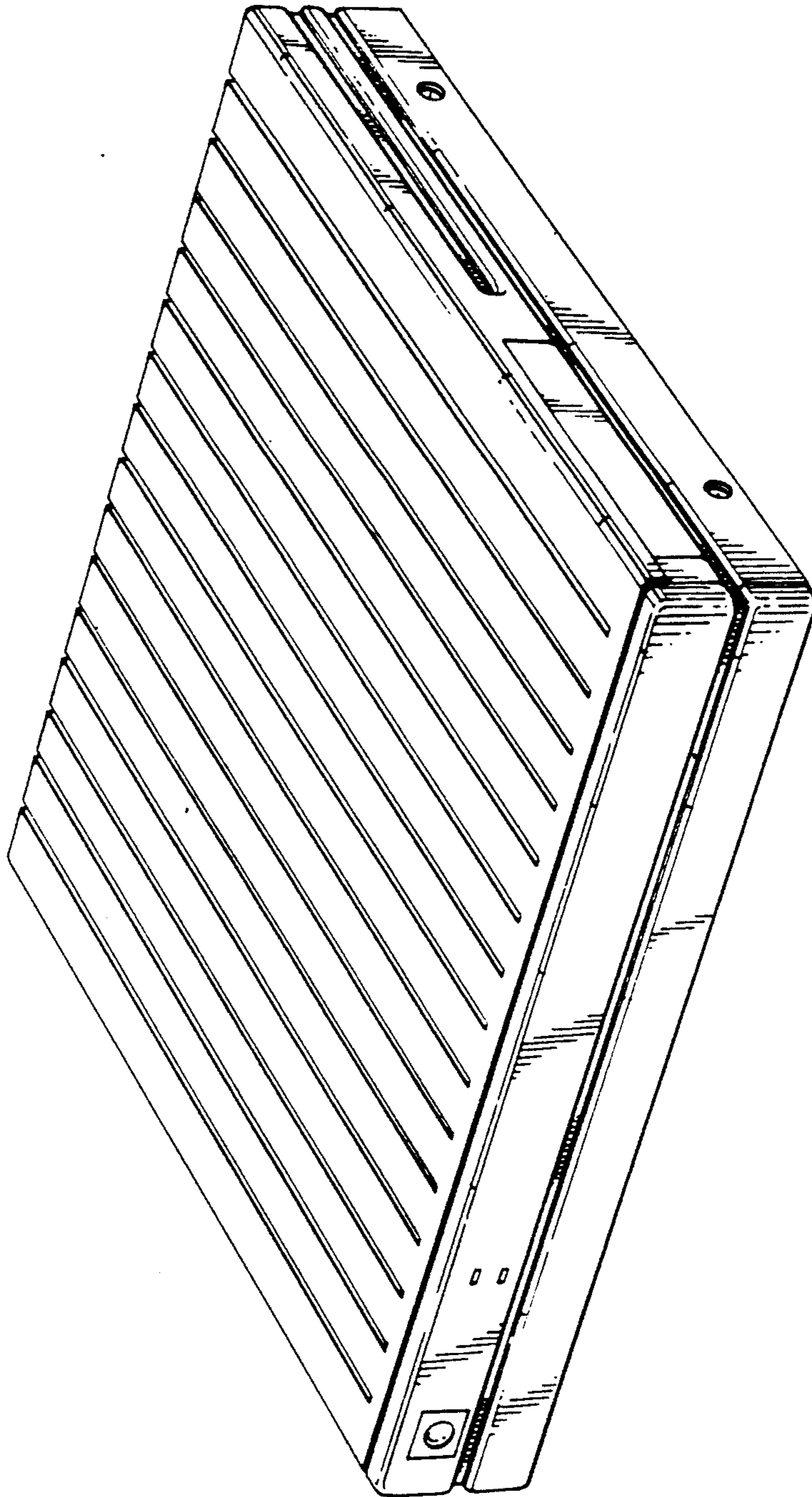


Fig. 1.

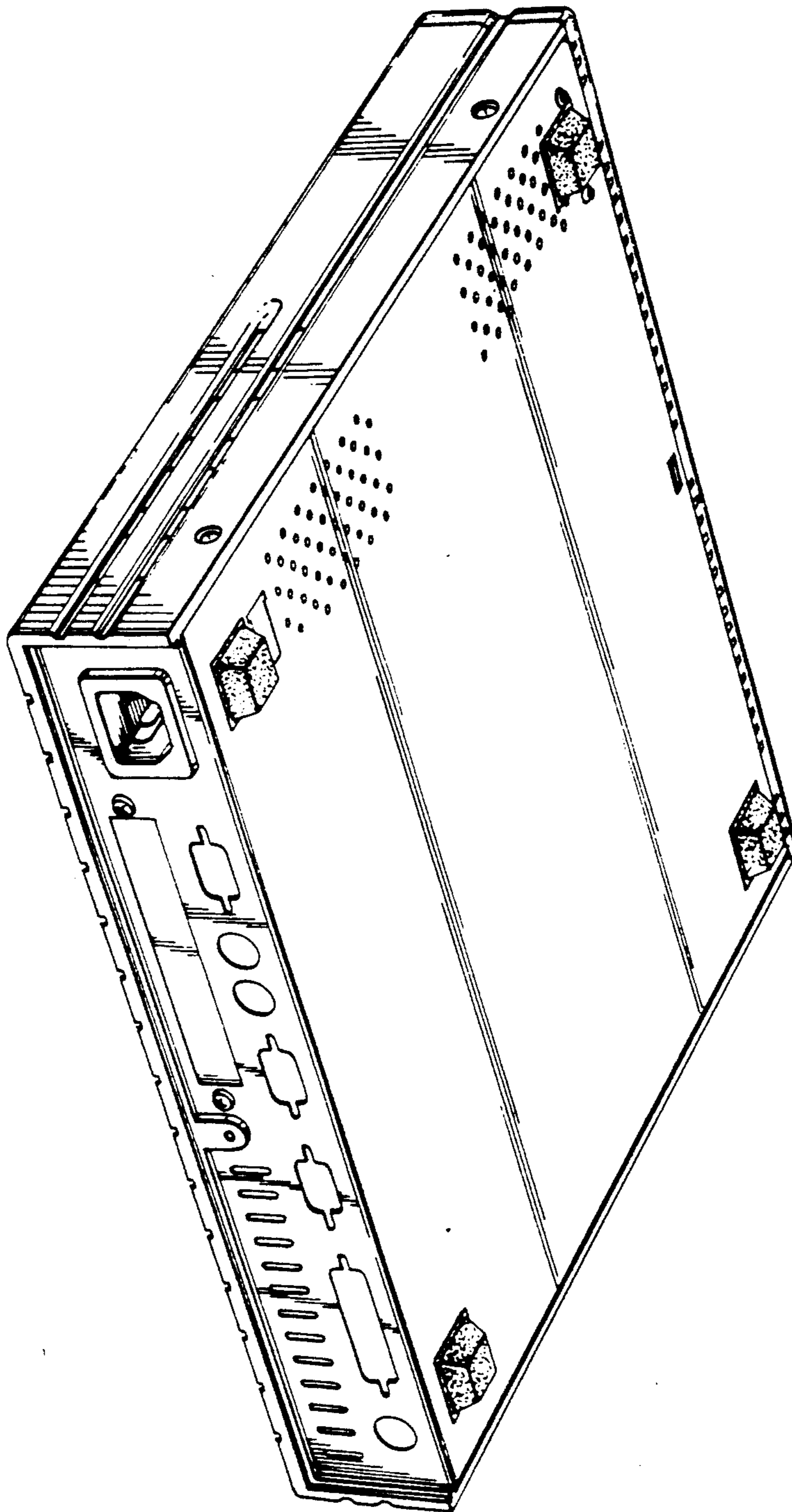


Fig. 2.

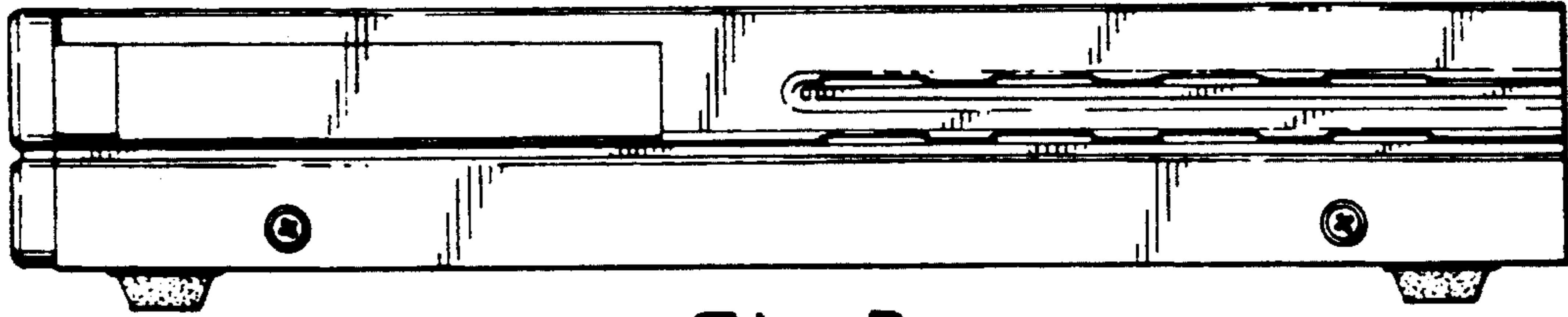


Fig. 3.

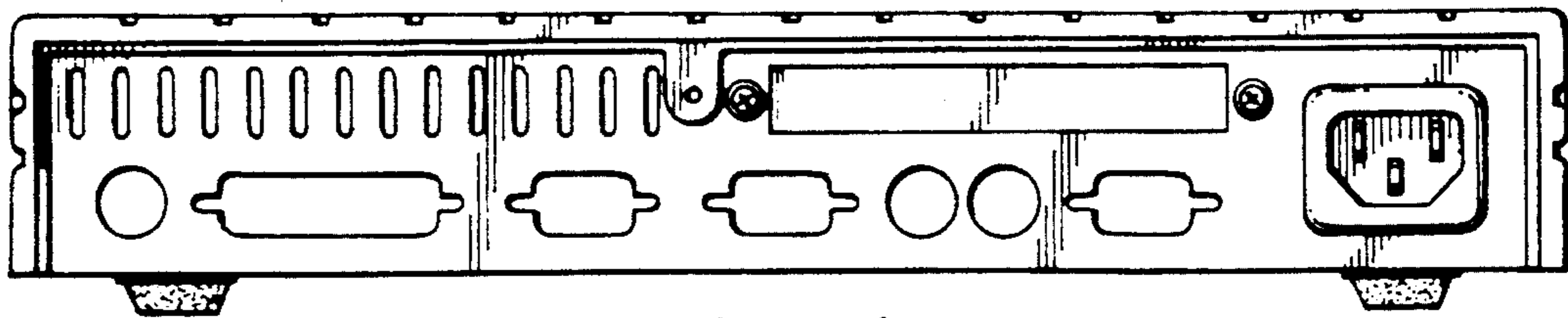


Fig. 4.

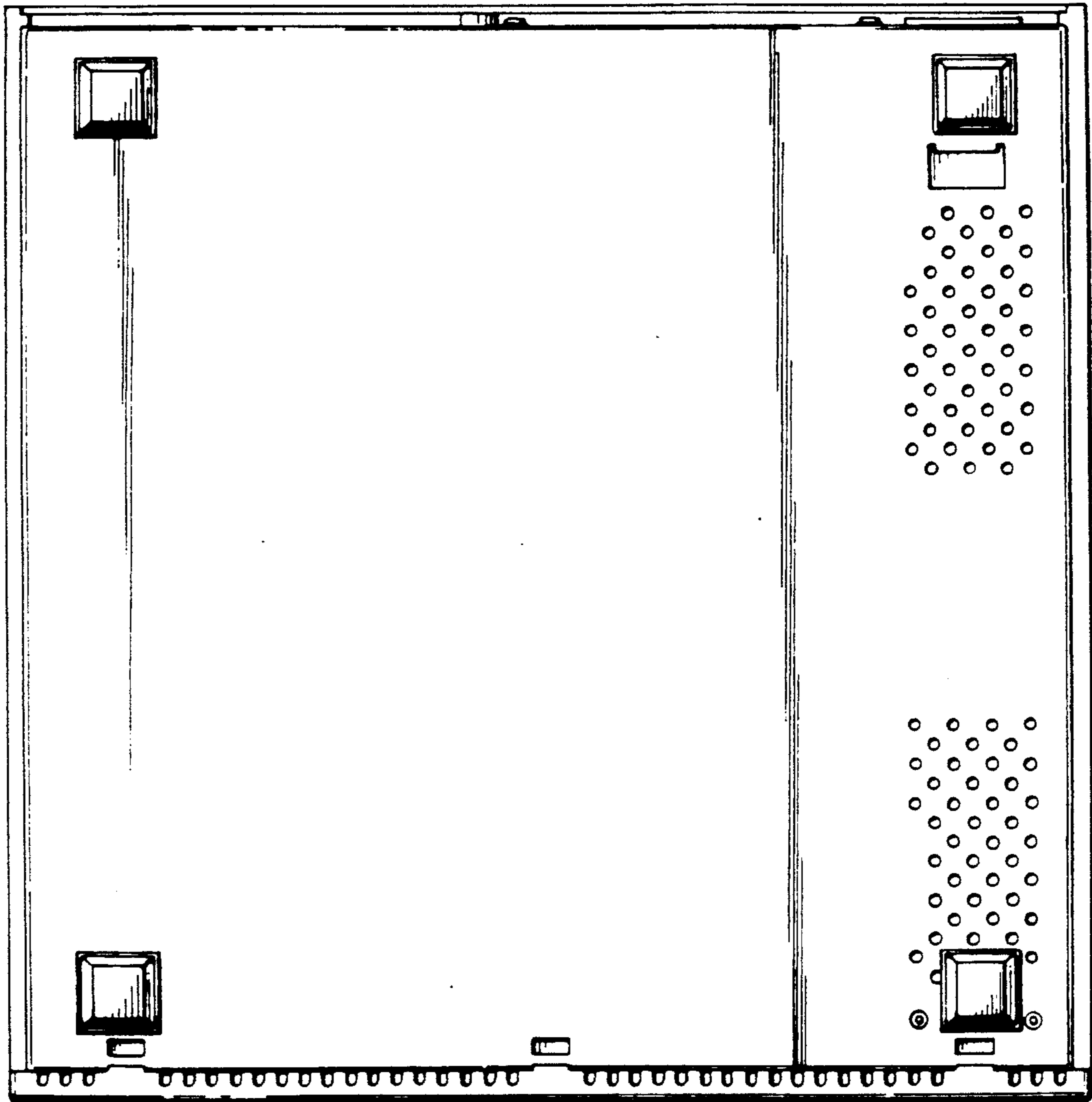


Fig. 5.