



US00D349101S

**United States Patent** [19]  
**Schaeffer**

[11] **Patent Number: Des. 349,101**

[45] **Date of Patent: \*\* Jul. 26, 1994**

[54] **ELECTRICAL SWITCH ACTUATOR**

[75] **Inventor: Maurice Schaeffer, Strasbourg, France**

[73] **Assignee: BACO Constructions Electriques - Anct. Baumgarten S.A., France**

[\*\*] **Term: 14 Years**

[21] **Appl. No.: 819,920**

[22] **Filed: Jan. 13, 1992**

[52] **U.S. Cl. .... D13/174; D13/158; D13/171**

[58] **Field of Search ..... 200/5 R, 43.11, 43.13, 200/308, 310, 313, 316; D13/158, 174**

[56] **References Cited**

**FOREIGN PATENT DOCUMENTS**

0172576	2/1986	European Pat. Off. ....	200/316
2815358	10/1979	Fed. Rep. of Germany .....	200/316
953502	12/1949	France .....	200/316

**OTHER PUBLICATIONS**

Series 6000 selector switch on p. H12 of AUGAT *Alcoswitch* catalog ©1990.

Selector switch B on p. 565 of *Allied Electronics* catalog, ©1990.

Selector switches E and F on p. 599 of *Allied Electronics* catalog, ©1990.

BACO Catalogue for Control and Signalling Gear, including only pages which show various switch designs, including front and back cover, and pp. 1, 3, 6, 7, 9, 10, 11, 12, 15, 16, 18, 20, 22-31, 36-42, 49, 55, and 56 and 64, Apr. 1986.

*Primary Examiner*—Wallace R. Burke

*Assistant Examiner*—Joel Sincavage

*Attorney, Agent, or Firm*—Larson and Taylor

[57] **CLAIM**

The ornamental design for an electrical switch actuator, as shown and described.

**DESCRIPTION**

FIG. 1 is a perspective view of an electrical switch actuator, showing my new design;

FIG. 2 is a front elevational view of FIG. 1;

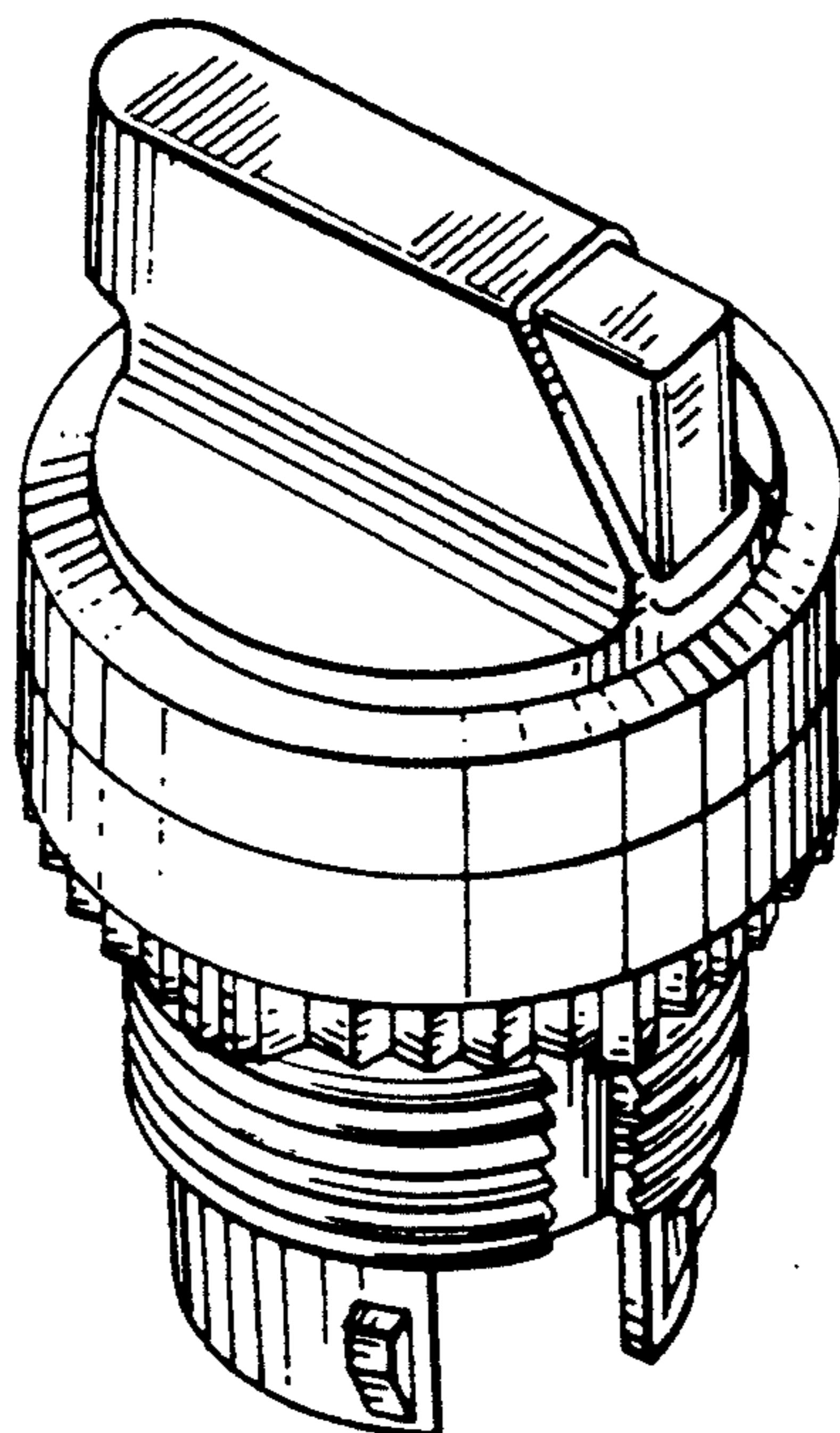
FIG. 3 is a back elevational view of FIG. 1;

FIG. 4 is a right side elevational view of FIG. 2;

FIG. 5 is a top plan view of FIG. 1; and,

FIG. 6 is a bottom plan view of FIG. 1.

The side opposite to FIG. 4 is a mirror image thereof.



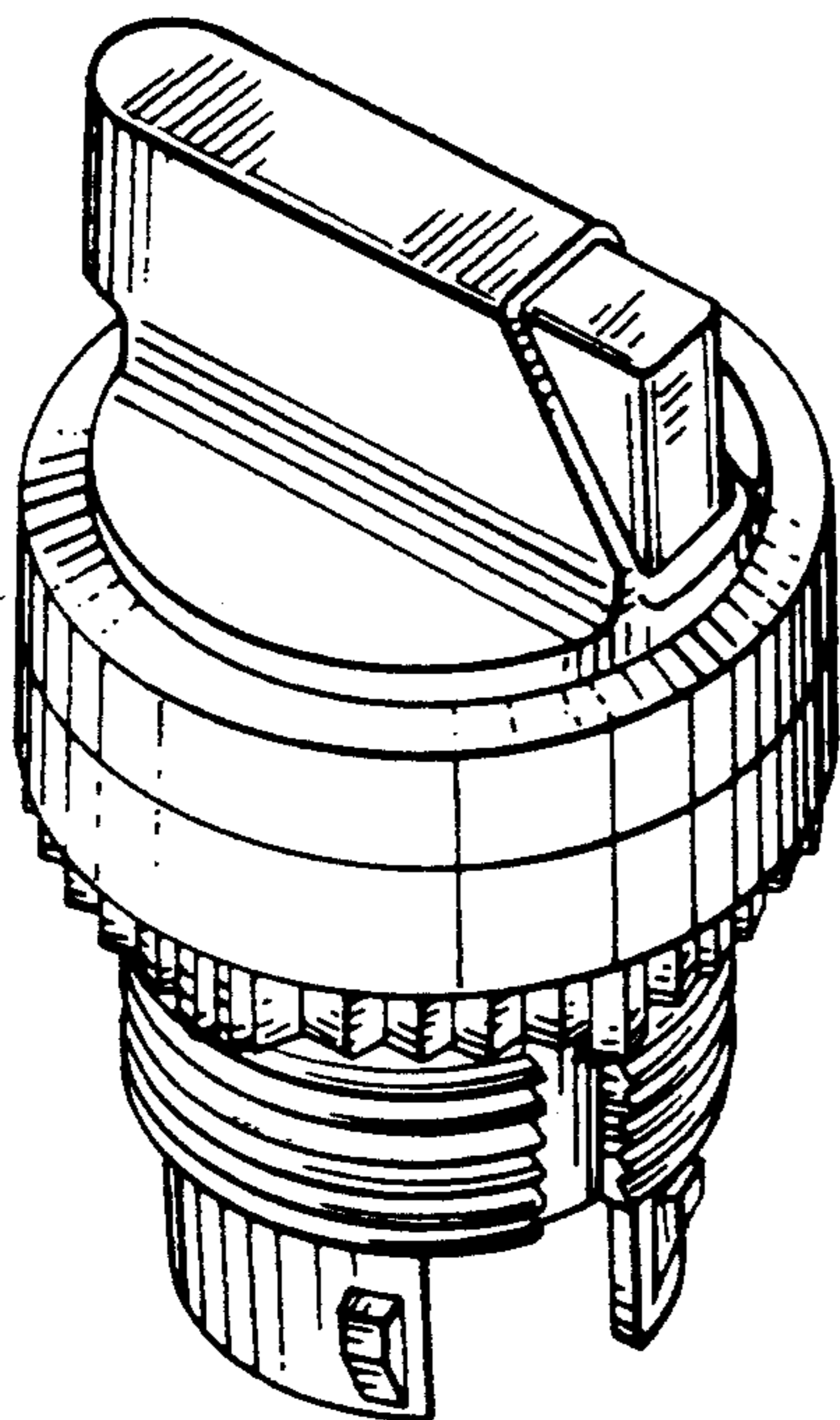


FIG. 1

FIG. 2

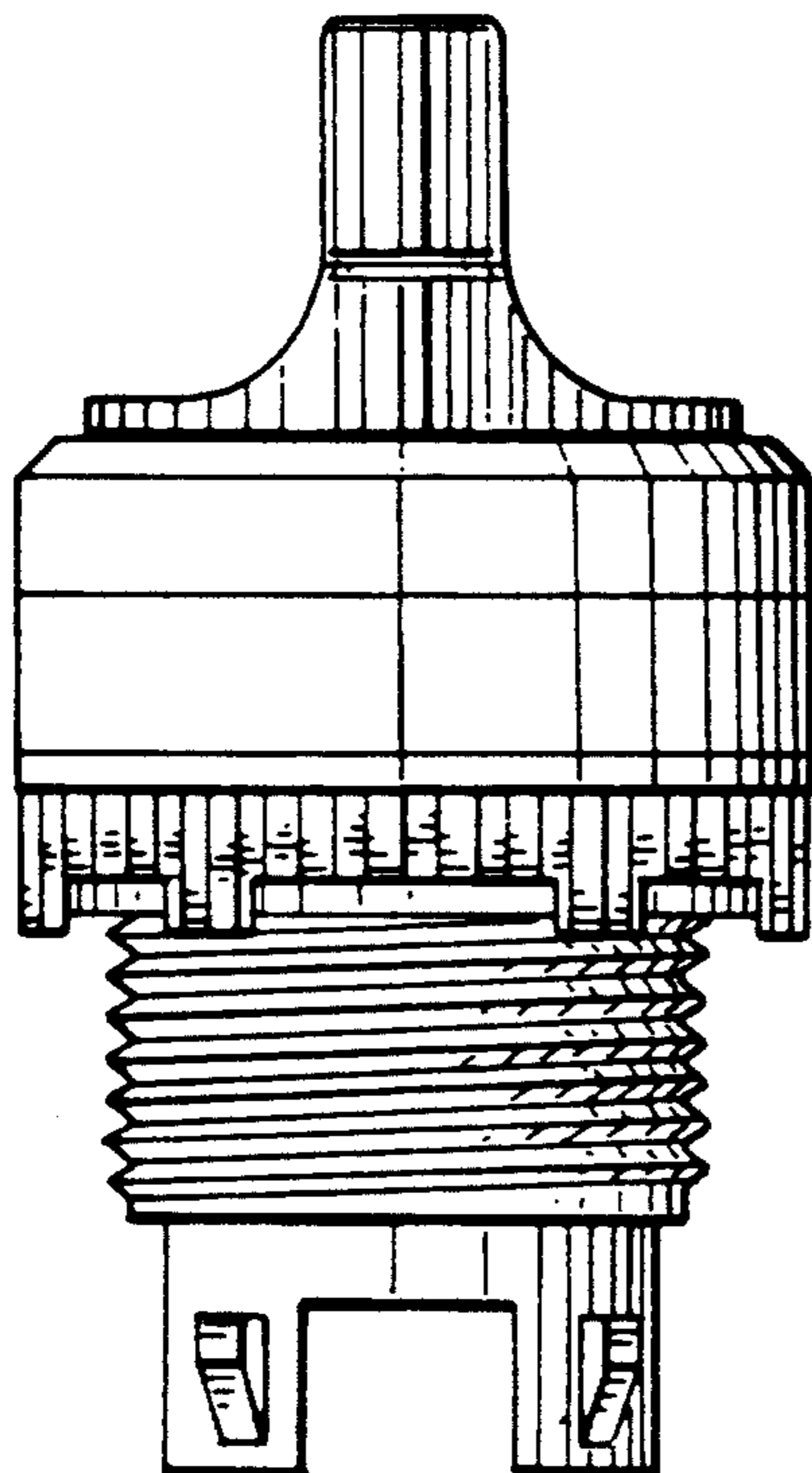
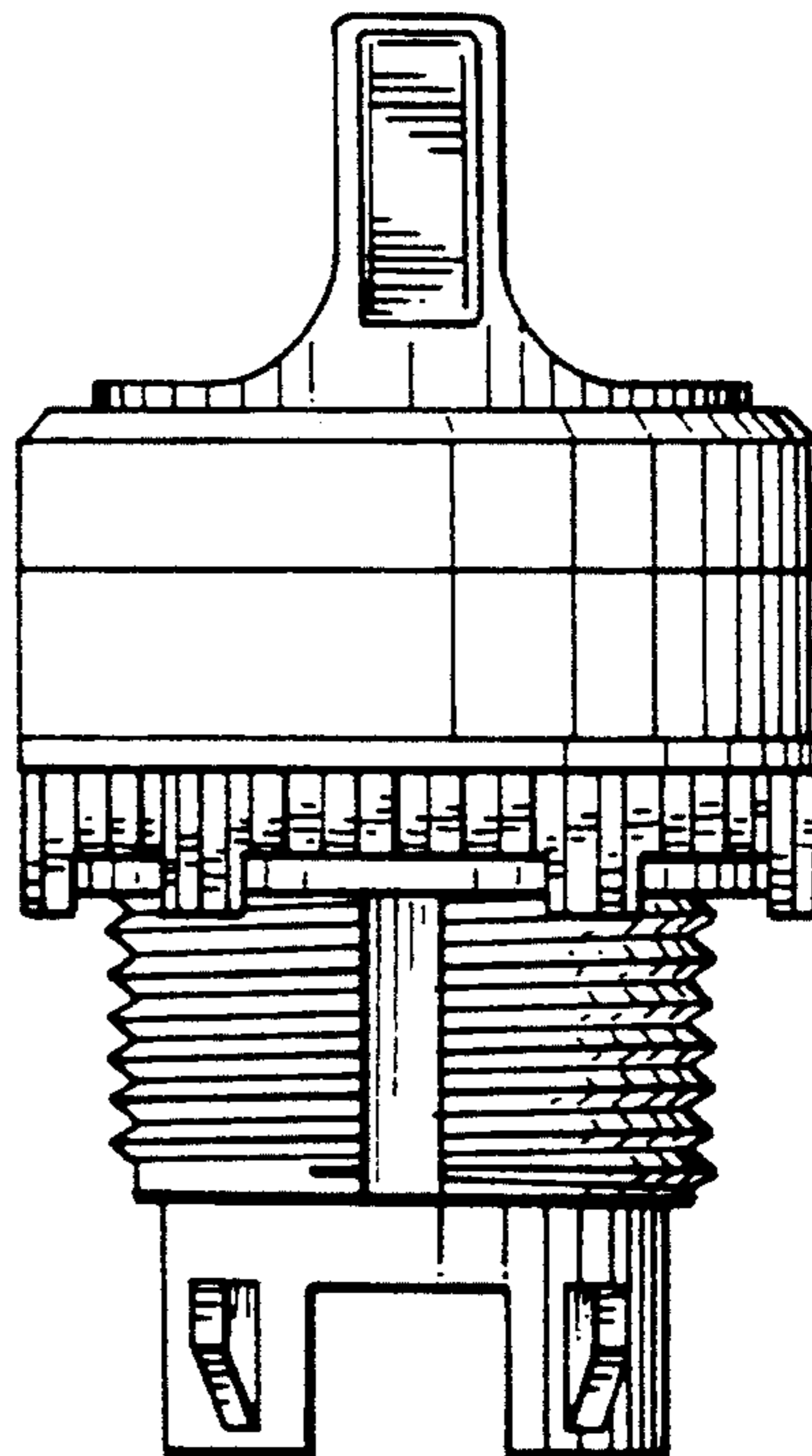


FIG. 3

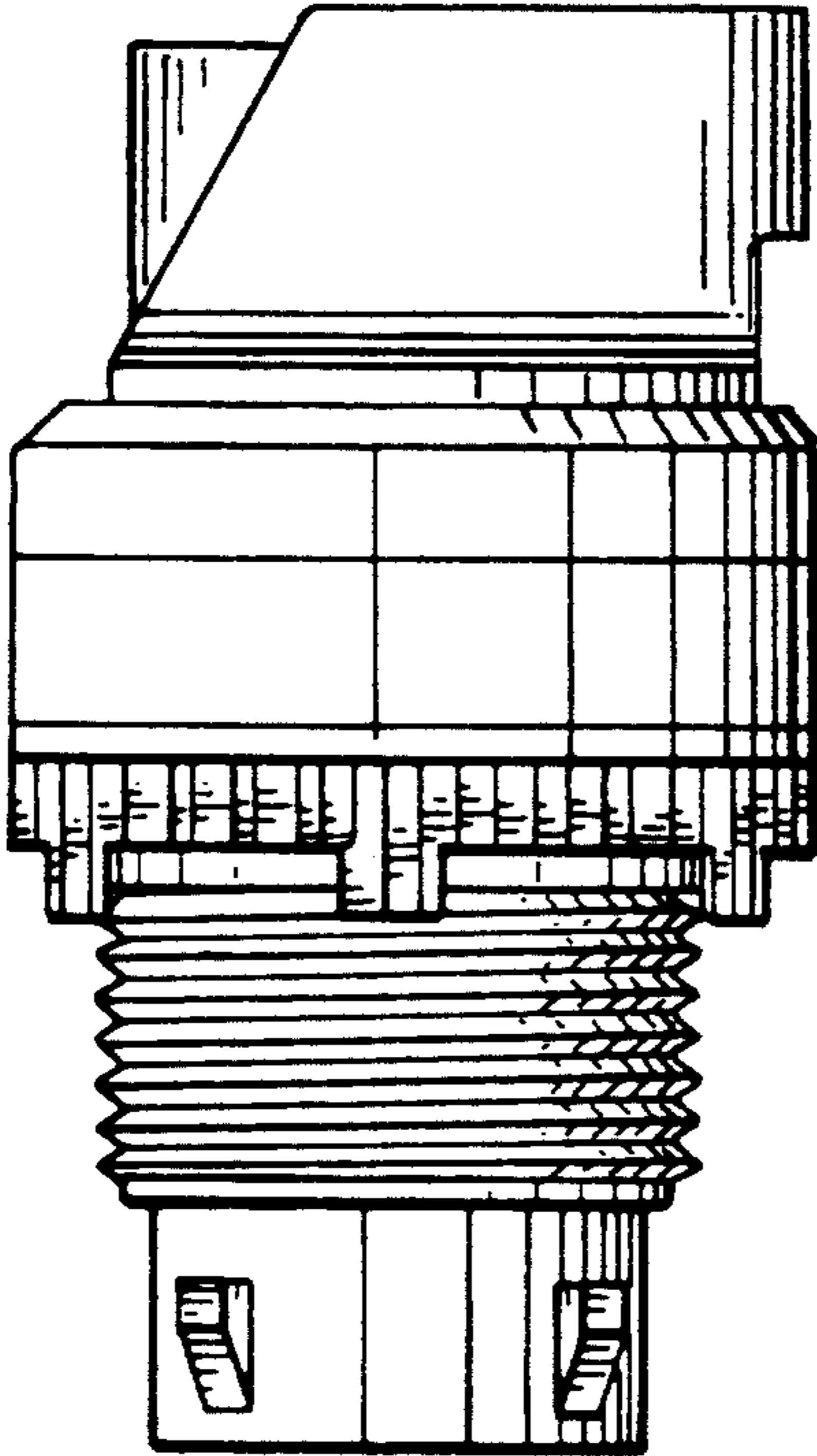


FIG. 4

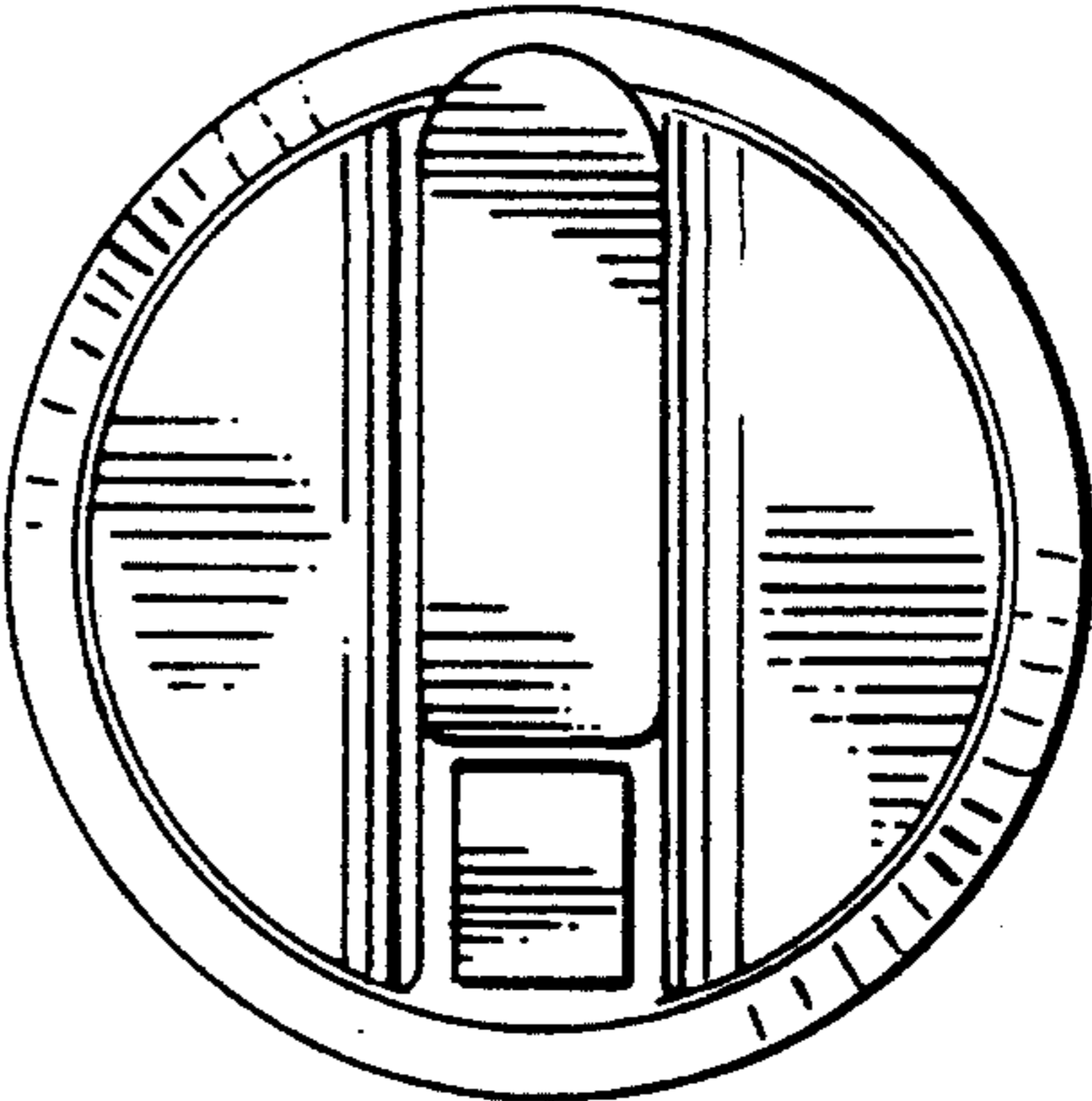


FIG. 5

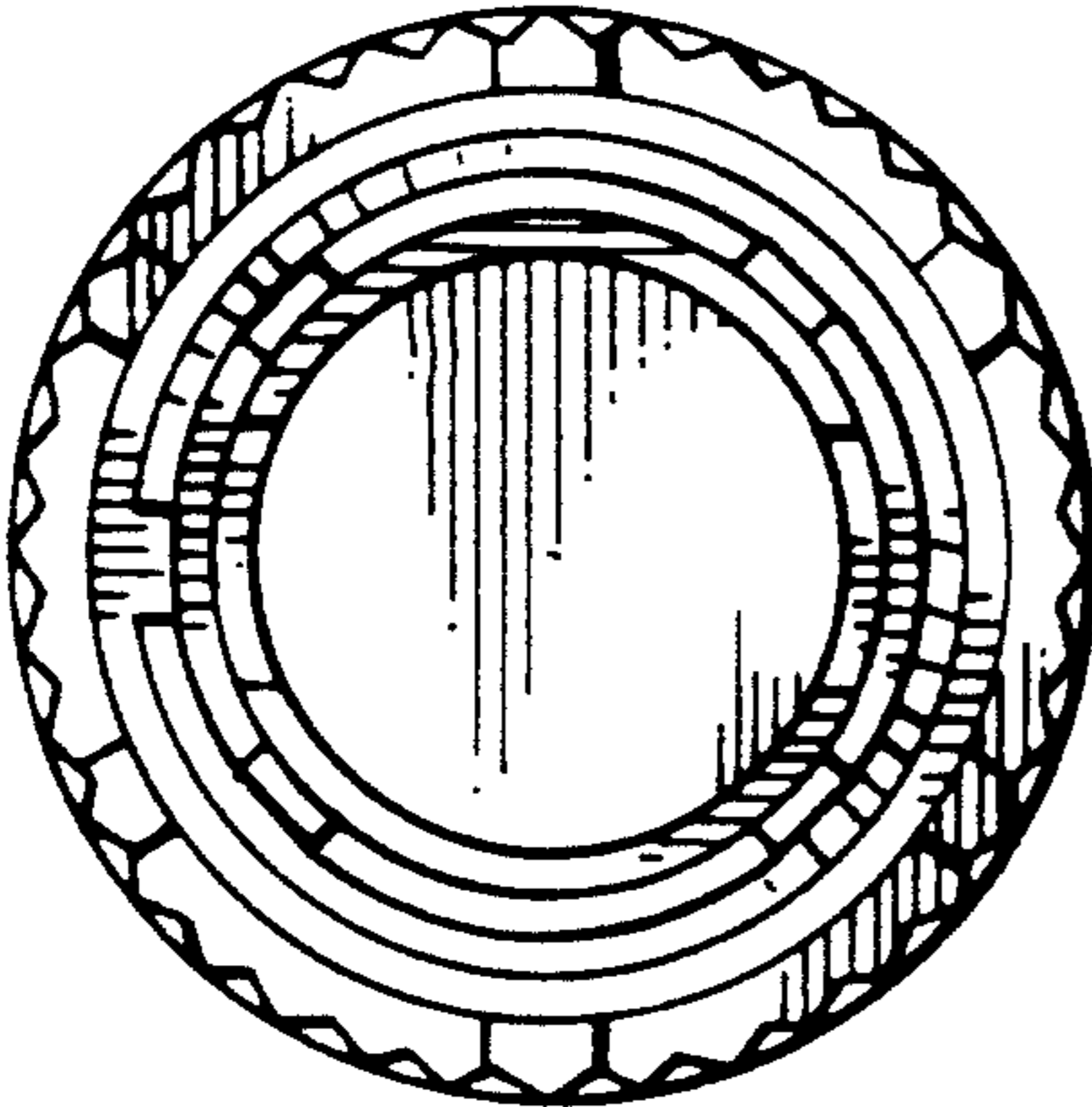


FIG. 6