



US00D349099S

United States Patent [19]

[11] Patent Number: **Des. 349,099**

Robertson, Jr. et al.

[45] Date of Patent: **** Jul. 26, 1994**

[54] REMOTE ELECTRICAL CONNECTOR

[75] Inventors: **William H. Robertson, Jr.,**
Plantation; **Masaru Tokiyama,** Coral
Springs, both of Fla.

[73] Assignee: **Motorola, Inc.,** Schaumburg, Ill.

[**] Term: **14 Years**

[21] Appl. No.: **5,961**

[22] Filed: **Mar. 18, 1993**

[52] U.S. Cl. **D13/147**

[58] Field of Search 439/55, 350, 352, 353,
439/354, 357, 522, 557, 564, 571, 693, 844, 855,
881; D13/133, 146, 147

[56] References Cited

U.S. PATENT DOCUMENTS

D. 332,597	1/1993	Dalgleish	D13/133
3,015,877	1/1962	Francis	439/693 X
4,060,295	11/1977	Tomkiewicz	439/55
4,283,106	8/1981	Bunnell	439/571
4,947,010	8/1990	Heydner et al.	439/557 X
5,074,801	12/1991	Siemon	439/557 X
5,104,333	4/1992	Hatagishi et al.	439/564 X

FOREIGN PATENT DOCUMENTS

39568 11/1981 European Pat. Off. 439/55

OTHER PUBLICATIONS

Safco molded plugs on pp. 11 and 13 of May 8, 1991
SAFCO catalog.

Primary Examiner—Wallace R. Burke
Assistant Examiner—Joel Sincavage
Attorney, Agent, or Firm—Dale W. Dorinski

[57] CLAIM

The ornamental design for a remote electrical connector, as shown and described.

DESCRIPTION

FIG. 1 is a top plan view of a view of a remote electrical connector showing our new design; FIG. 2 is a right side elevational view thereof, the left side elevational view thereof being a mirror image; FIG. 3 is a bottom plan view thereof; FIG. 4 is a front elevational view thereof; FIG. 5 is a rear elevational view thereof; and, FIG. 6 is a rear and right side perspective view thereof. The broken line showing in FIGS. 1, 2, 3, and 6 is included for the purpose of illustrating environmental structure only and forms no part of the claimed design.

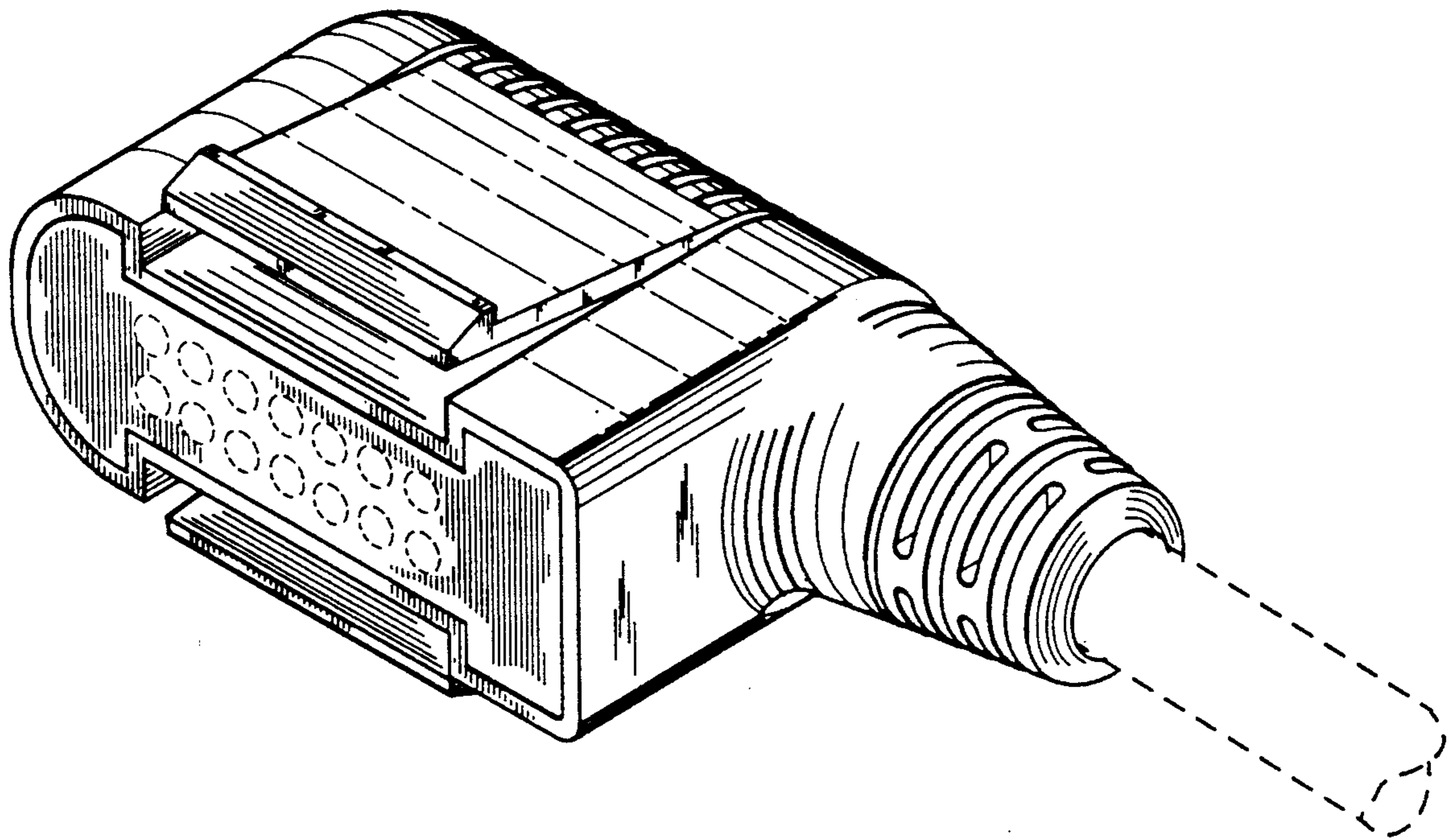


FIG. 1

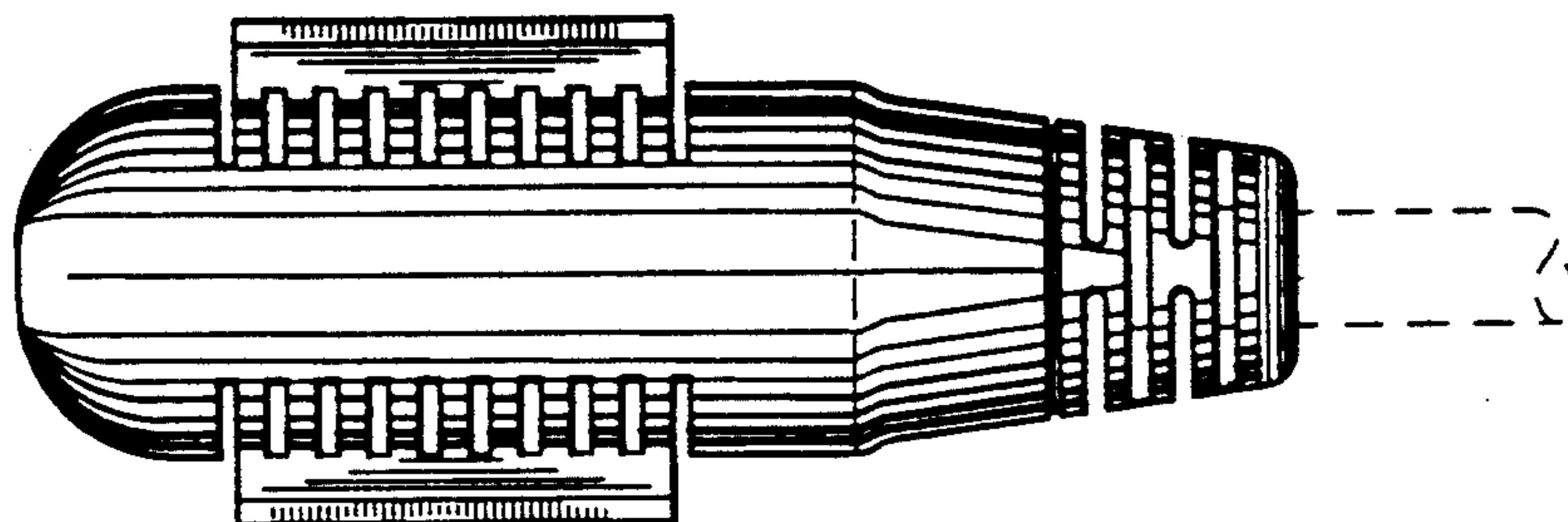


FIG. 2

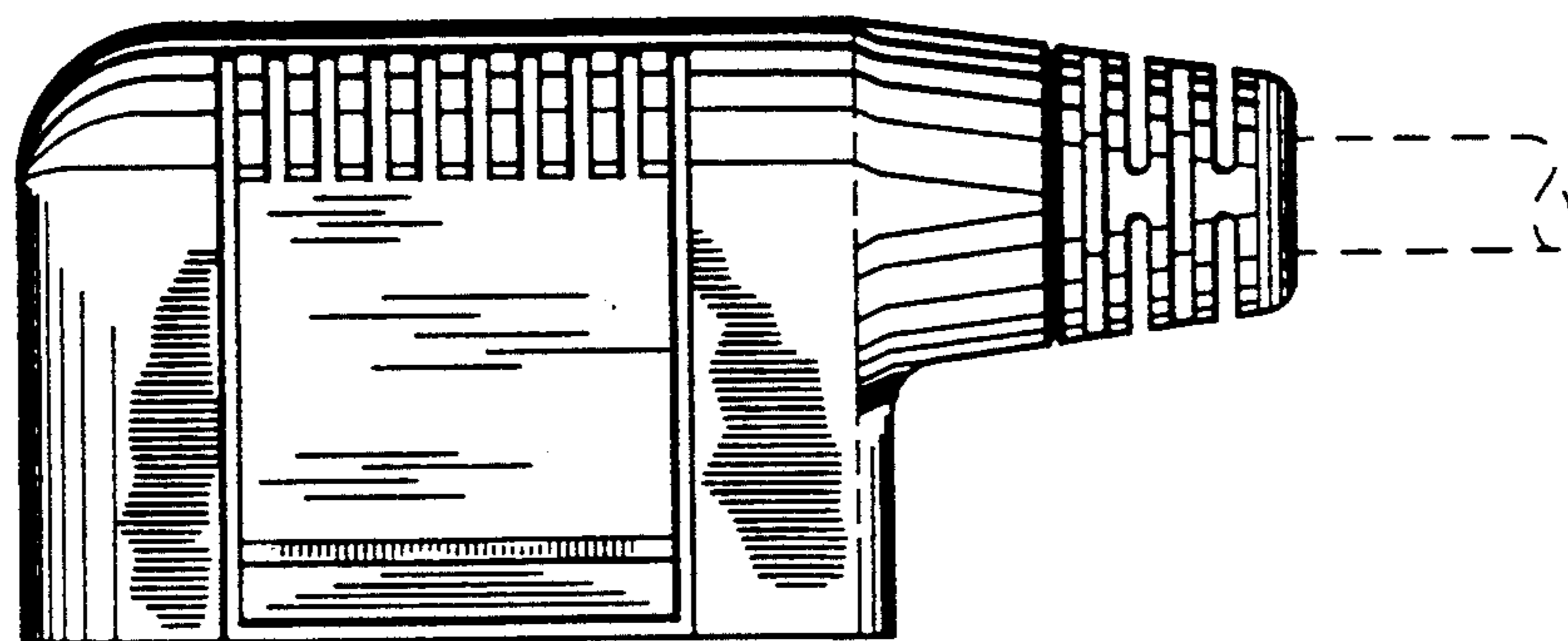


FIG. 3

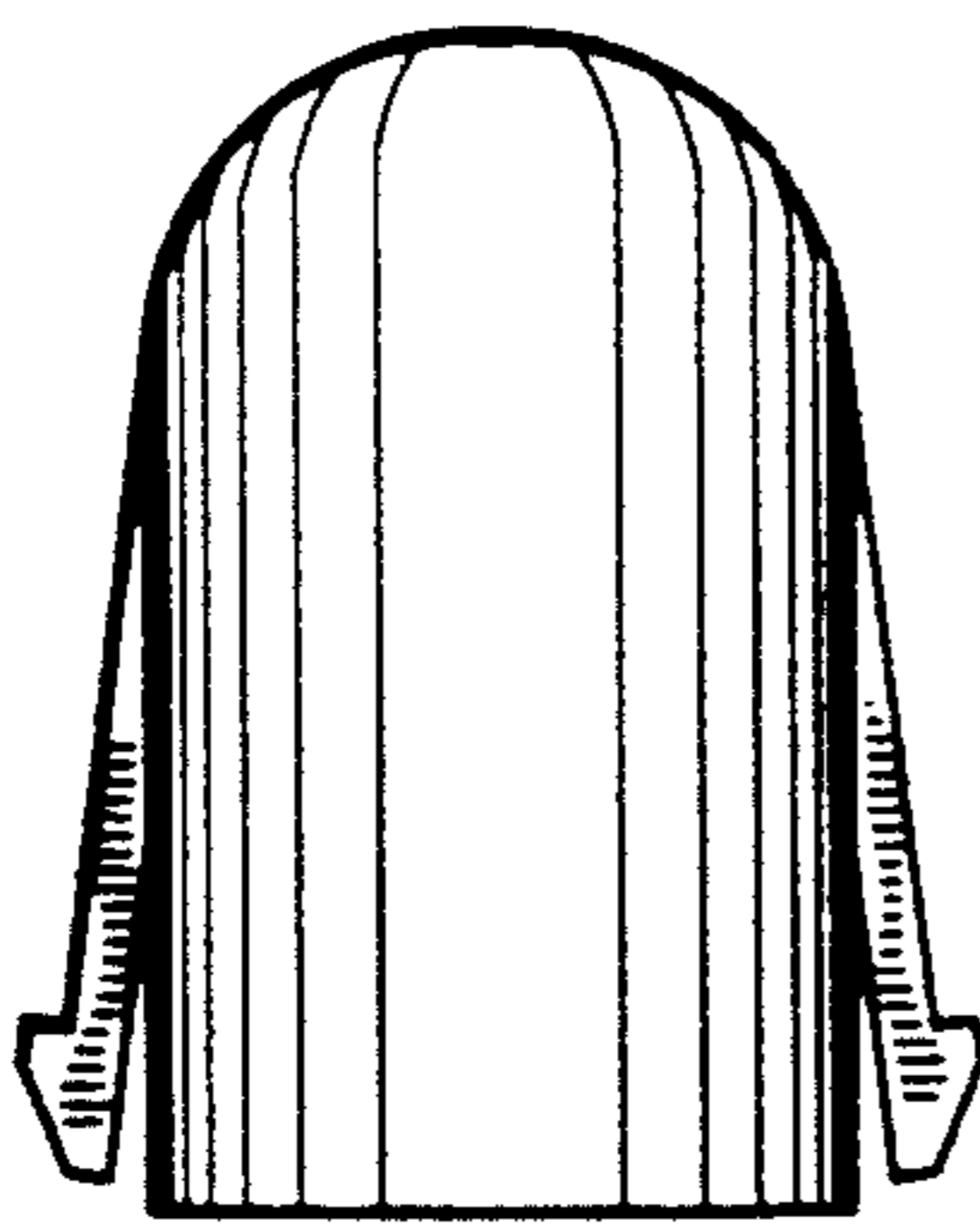
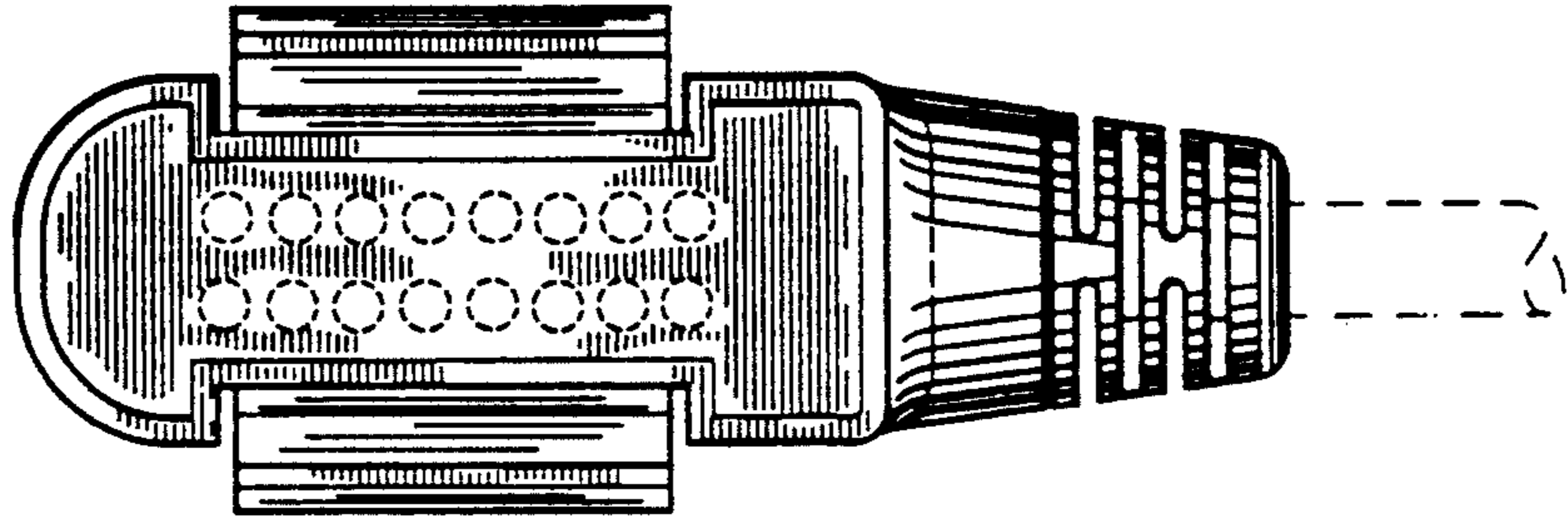


FIG. 4

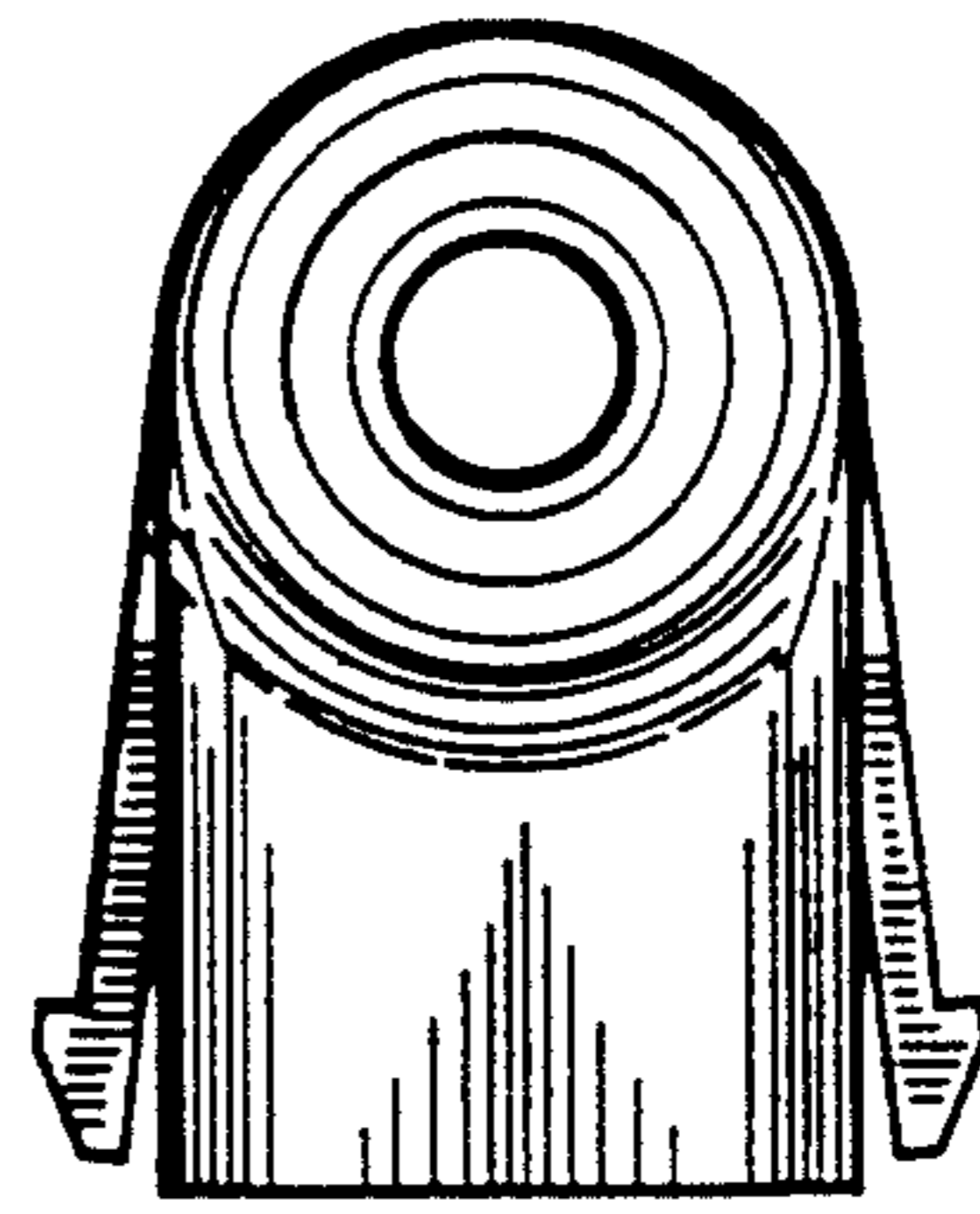


FIG. 5

FIG. 6

