



US00D349098S

United States Patent [19]

[11] Patent Number: **Des. 349,098**

Poon

[45] Date of Patent: **** Jul. 26, 1994**

[54] **ELECTRIC PLUG**

[75] Inventor: **Tit W. Poon, Hong Kong, Hong Kong**

[73] Assignee: **Flying Dragon Development Limited, Chai Wan, Hong Kong**

[**] Term: **14 Years**

[21] Appl. No.: **5,730**

[22] Filed: **Mar. 10, 1993**

[30] **Foreign Application Priority Data**

Dec. 1, 1992 [GB] United Kingdom 2027492

[52] U.S. Cl. **D13/144**

[58] Field of Search 439/638, 668, 669, 675; D13/144

[56] **References Cited**

U.S. PATENT DOCUMENTS

D. 314,178 1/1991 Reber D13/144

D. 315,543 3/1991 Soren et al. D13/133 X

D. 330,887	11/1992	Wharton	D13/144
D. 333,937	3/1993	Prosser	D6/581
2,605,318	7/1952	Morgenstern	439/668
4,988,315	1/1991	Wharton	D13/144 X
5,044,985	9/1991	Sheen	439/544
5,131,869	7/1992	Wharton	D13/144 X
5,131,870	7/1992	El-Haj	439/668

Primary Examiner—Wallace R. Burke
Assistant Examiner—Joel Sincavage
Attorney, Agent, or Firm—Oliff & Berridge

[57] **CLAIM**

The ornamental design for an electric plug, as shown.

DESCRIPTION

FIG. 1 is a side elevation of the article the subject of the application;

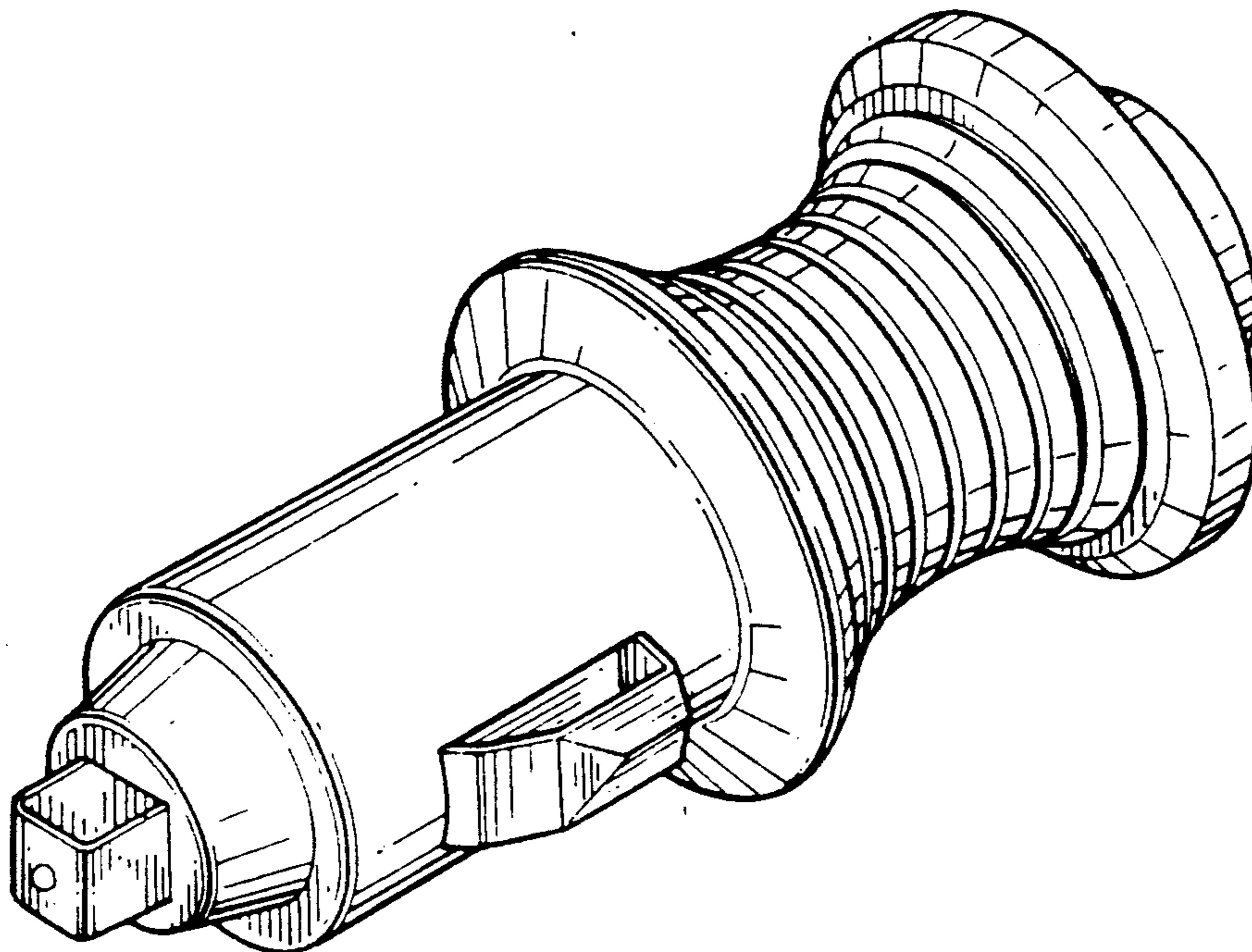
FIG. 2 is a view from Arrow A of FIG. 1;

FIG. 3 is a top plan view of the article;

FIG. 4 is a bottom plan view of the article;

FIG. 5 is perspective view of the article; and,

FIG. 6 is a side elevation viewed from the opposite side to FIG. 1.



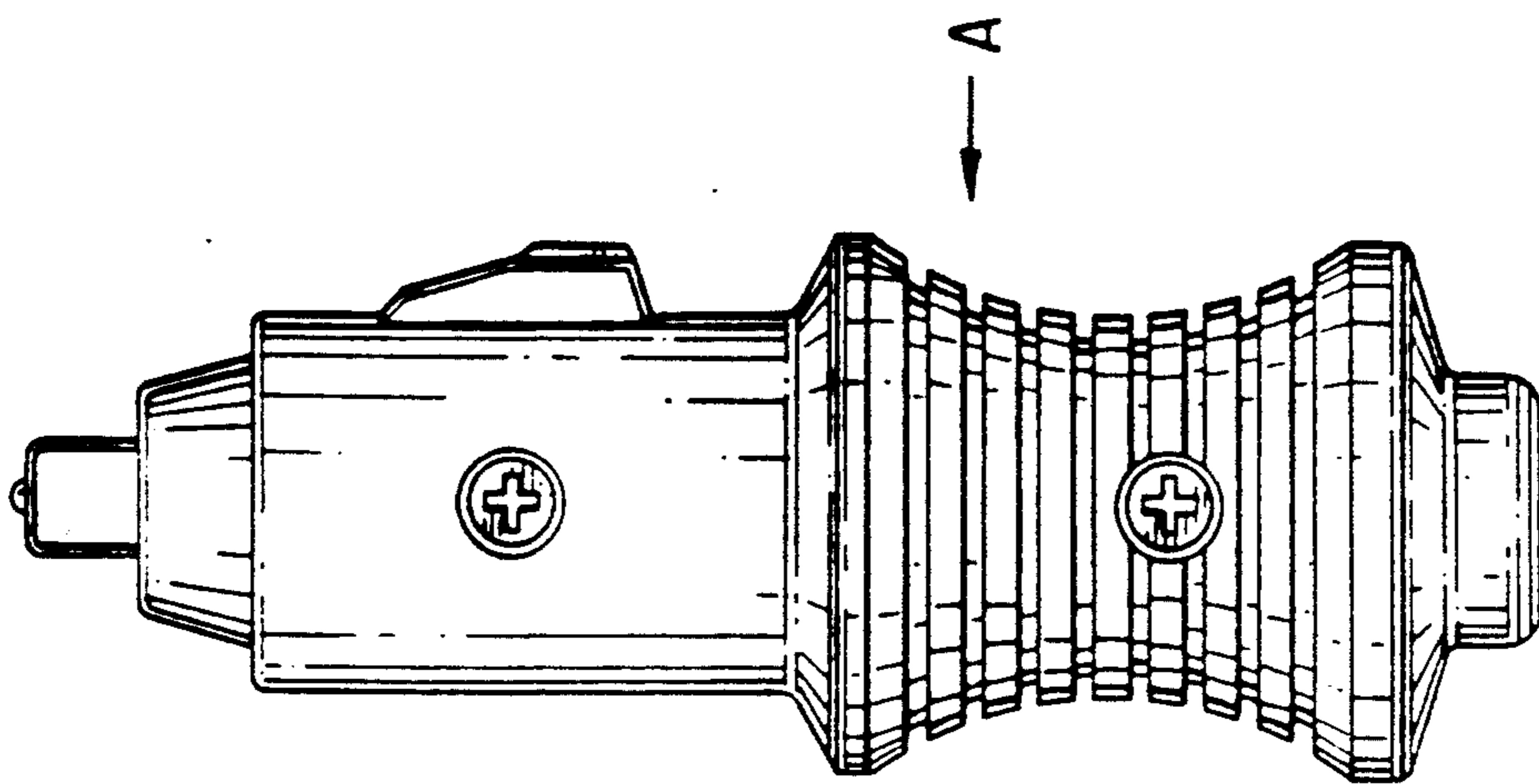


FIG. 1

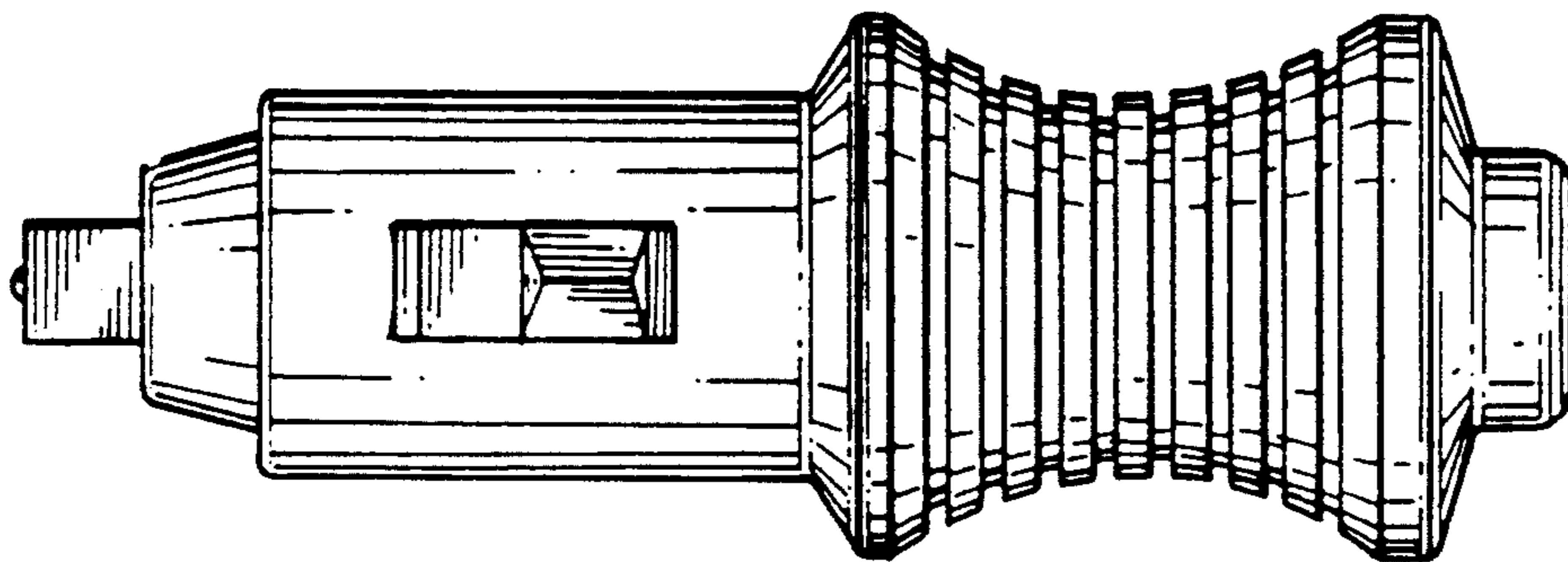


FIG. 2

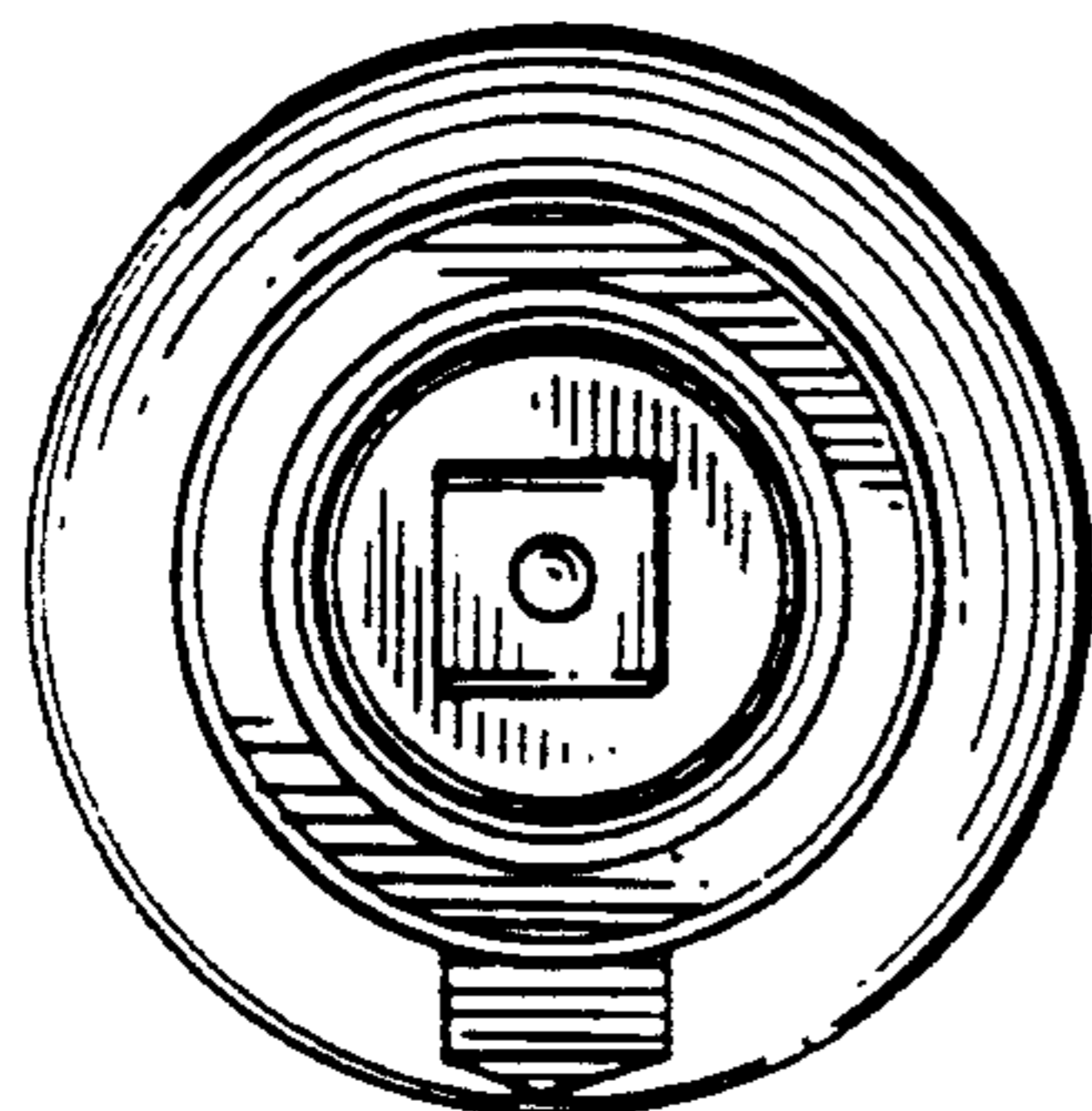


FIG. 3

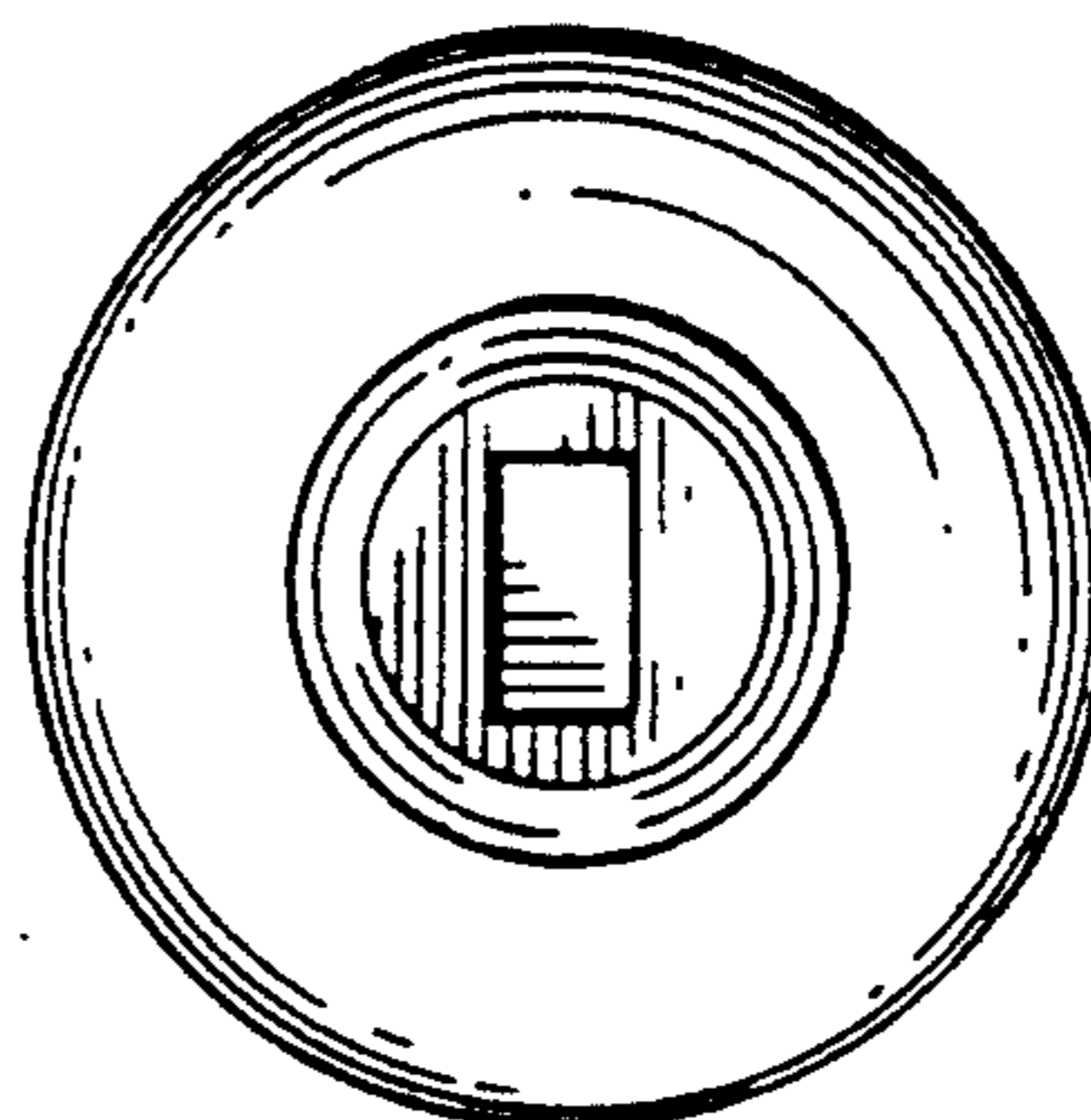


FIG. 4

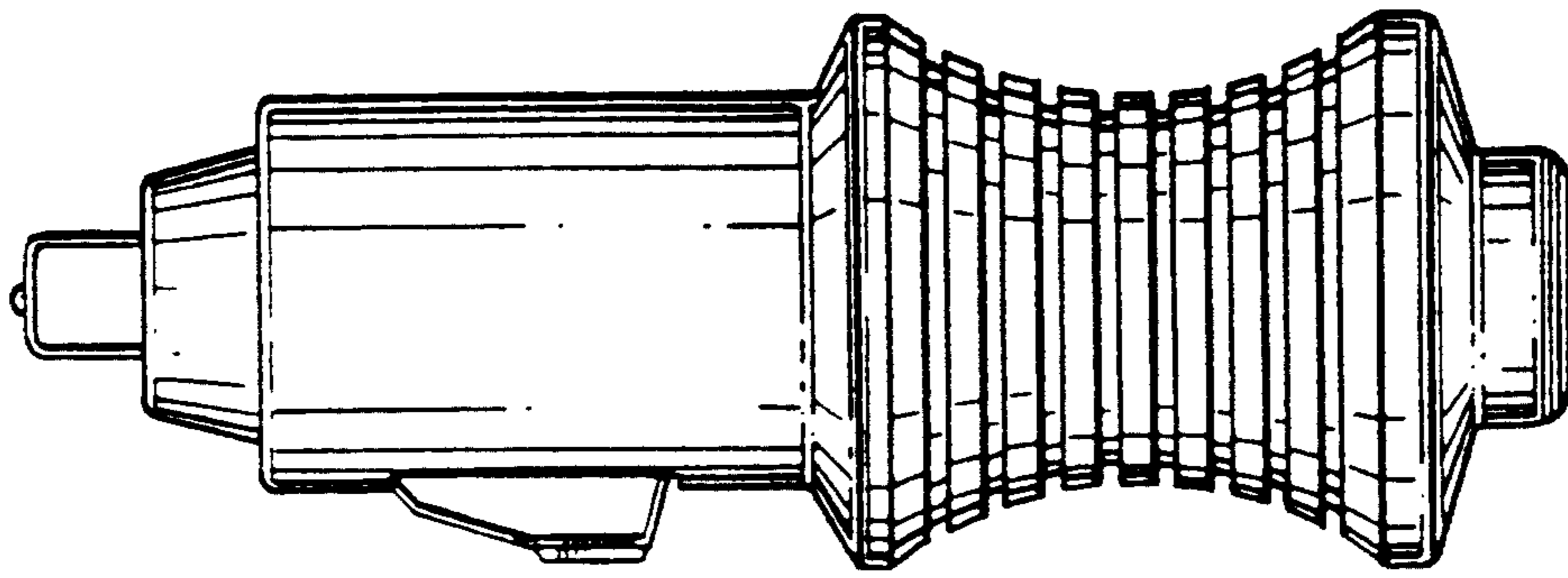


FIG. 6

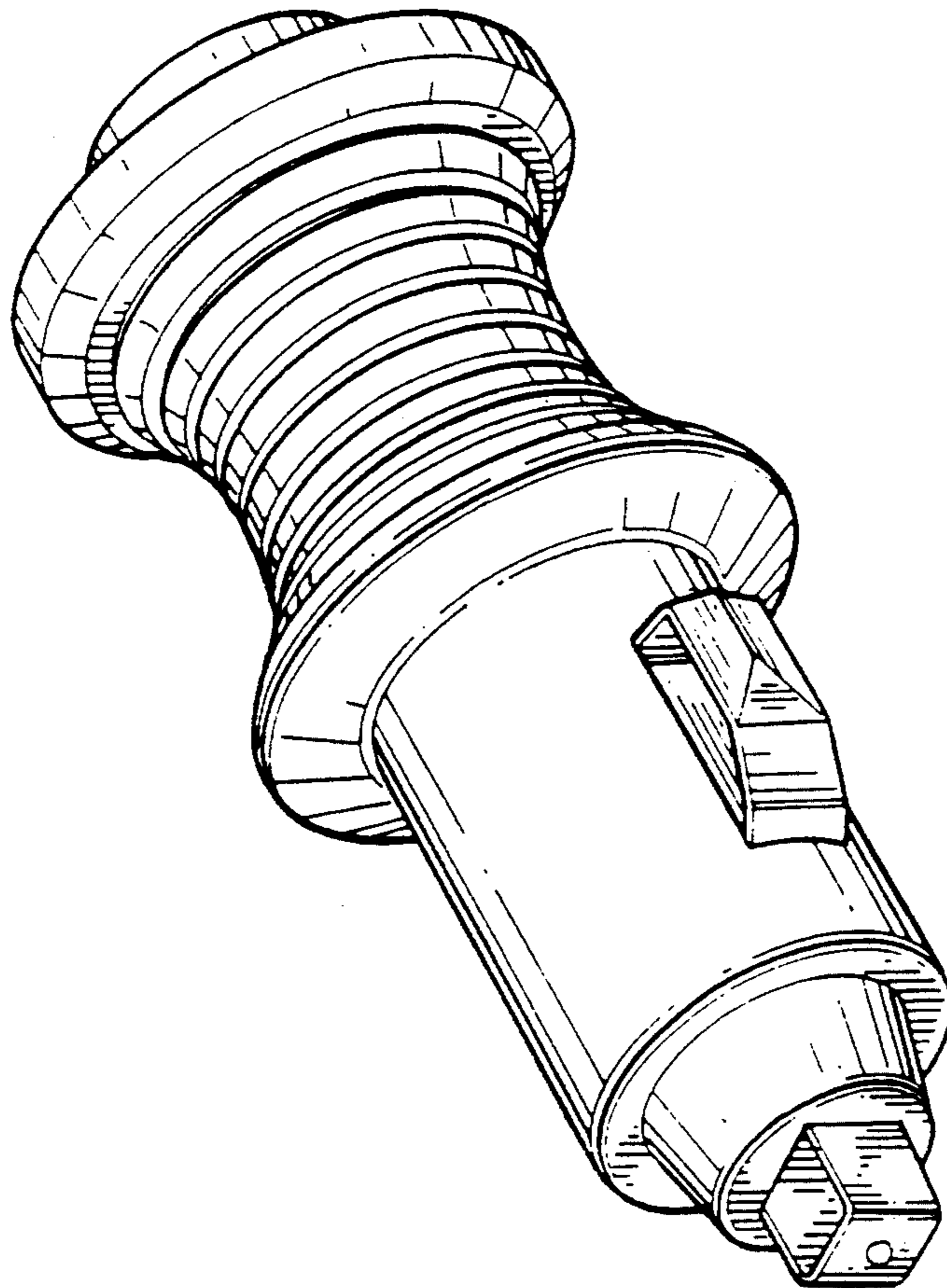


FIG. 5