



US00D349097S

United States Patent [19]

[11] Patent Number: **Des. 349,097**

Watanabe

[45] Date of Patent: **** Jul. 26, 1994**

[54] **BATTERY CHARGER FOR A CELLULAR PHONE**

OTHER PUBLICATIONS

[75] Inventor: **Hirotoishi Watanabe**, Tokyo, Japan

GE portable phone battery charger in brochure ECR-3246B.

[73] Assignee: **Funai Electric Engineering Co., Ltd.**, Tokyo, Japan

Primary Examiner—Wallace R. Burke
Assistant Examiner—Joel Sincavage
Attorney, Agent, or Firm—Lackebach Siegel Marzullo, Aronson & Greenspan

[**] Term: **14 Years**

[57] **CLAIM**

[21] Appl. No.: **900,342**

The ornamental design for a battery charger for a cellular phone, as shown and described.

[22] Filed: **Jun. 17, 1992**

DESCRIPTION

[30] **Foreign Application Priority Data**

Dec. 20, 1991 [JP] Japan 3-38261

FIG. 1 is a bottom plan view of my battery charger for a cellular phone;

[52] U.S. Cl. **D13/108**

FIG. 2 is a top plan view thereof. The broken line showing of the prong holes is included for the purpose of illustrating environmental structure only and forms no part of the claimed design;

[58] Field of Search 320/2, 3, 4; D13/107, D13/108, 144; D14/114, 217, 218, 240

FIG. 3 is a rear elevational view thereof;

[56] **References Cited**

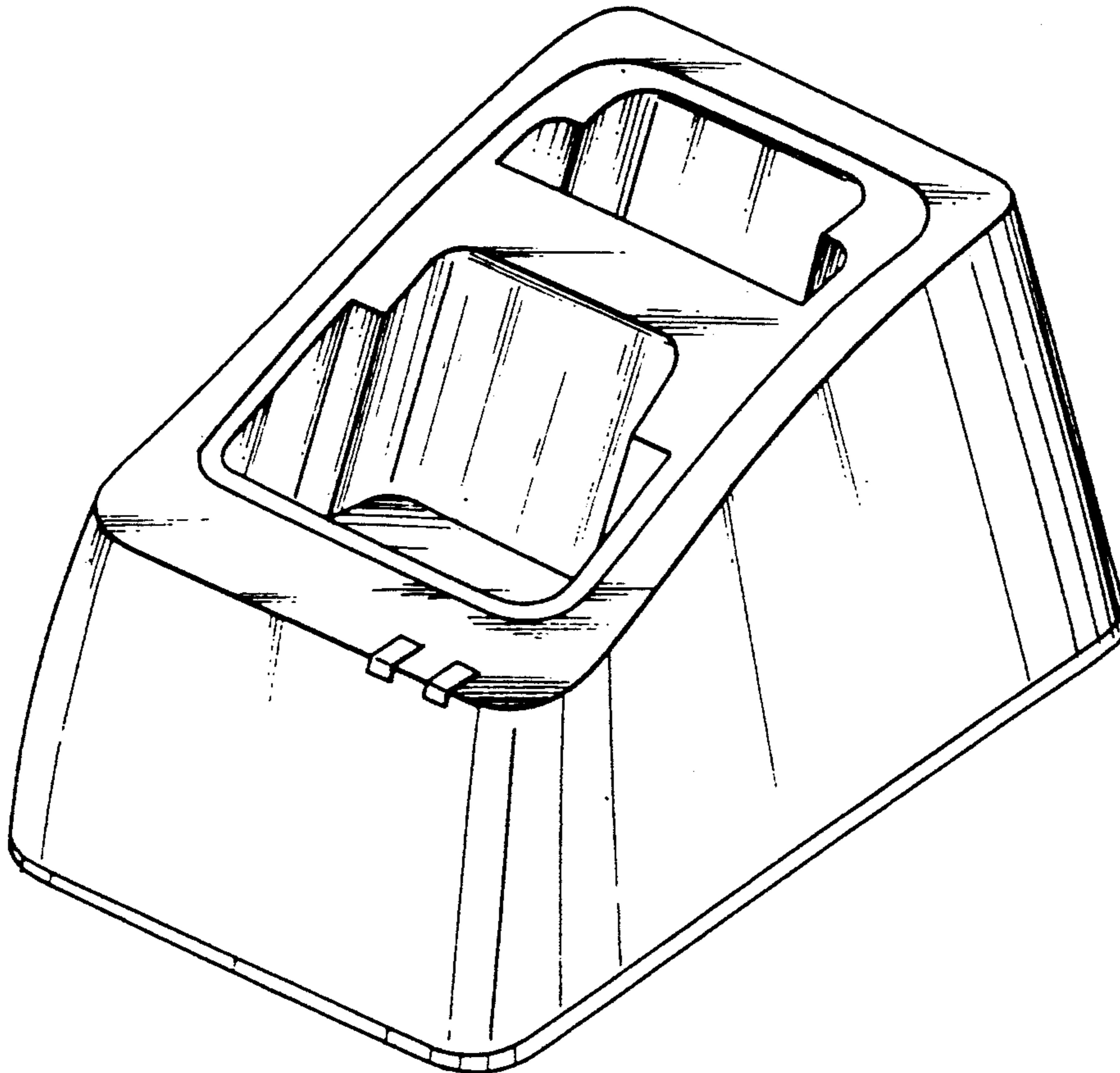
U.S. PATENT DOCUMENTS

D. 327,248 6/1992 Hotsumi et al. D13/108

FIG. 4 is a front elevational view thereof;

FIG. 5 is a right side elevational view thereof, the left side elevational view thereof being a mirror image; and,

FIG. 6 is a perspective view thereof.



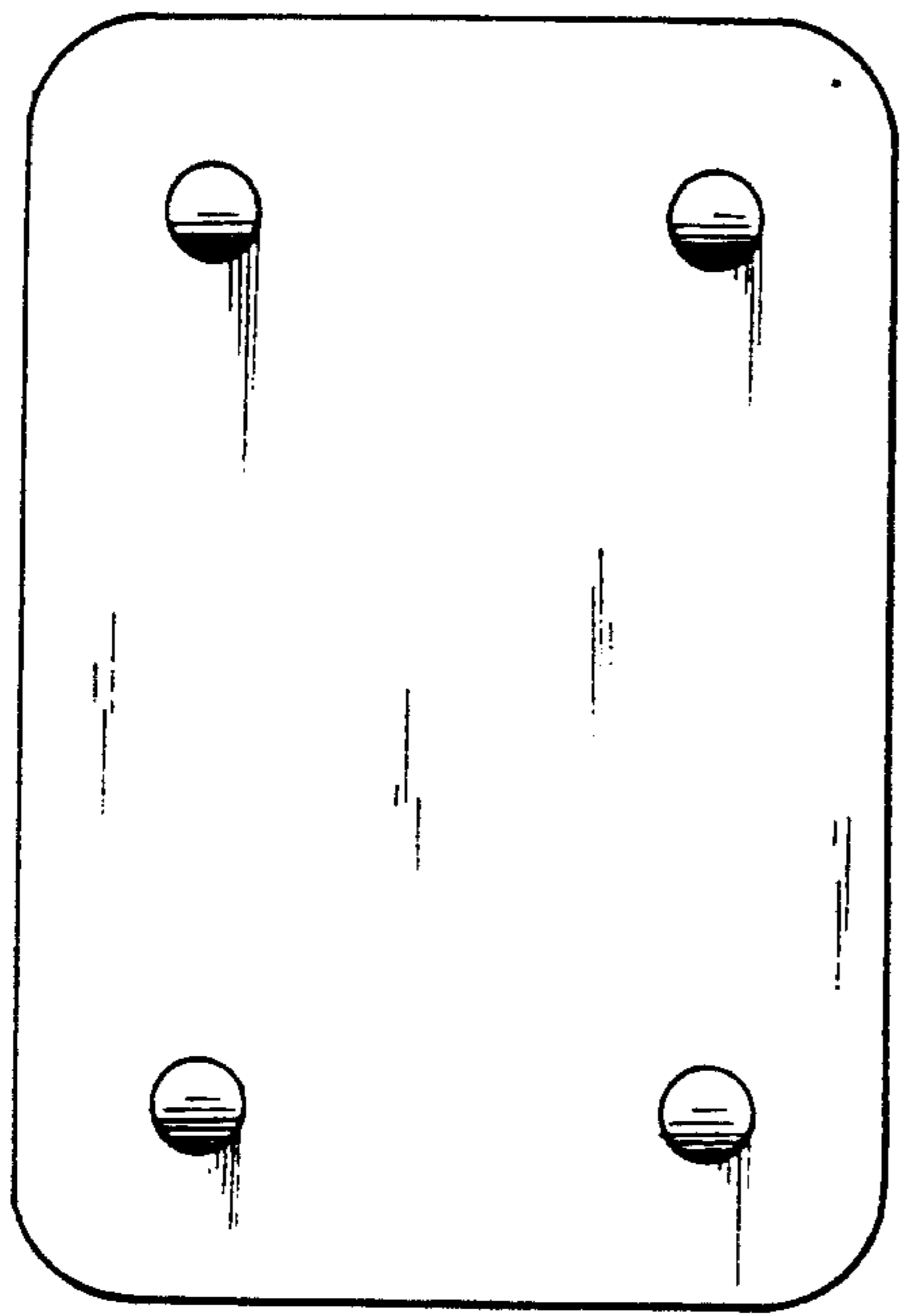


FIG. 1

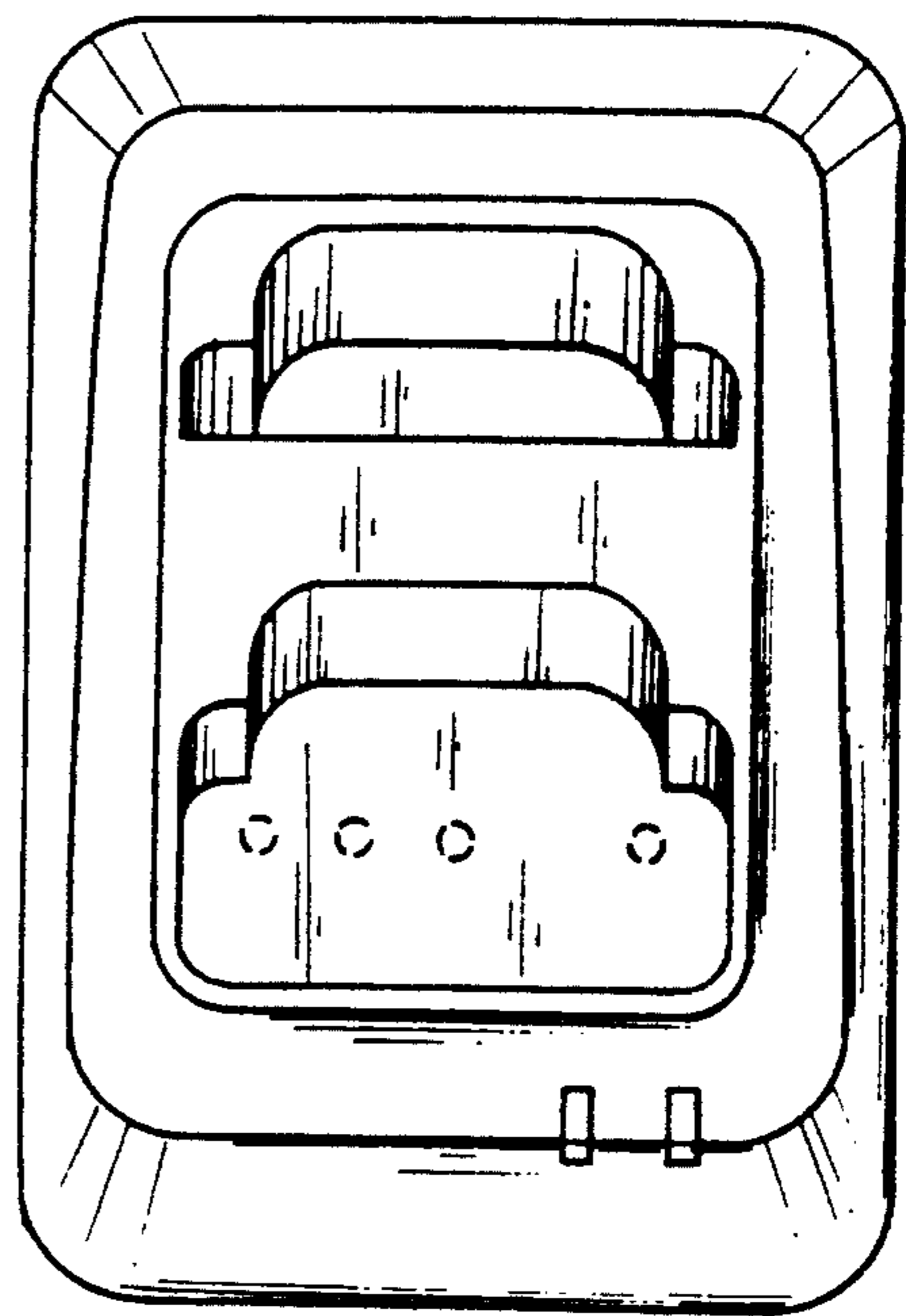


FIG. 2

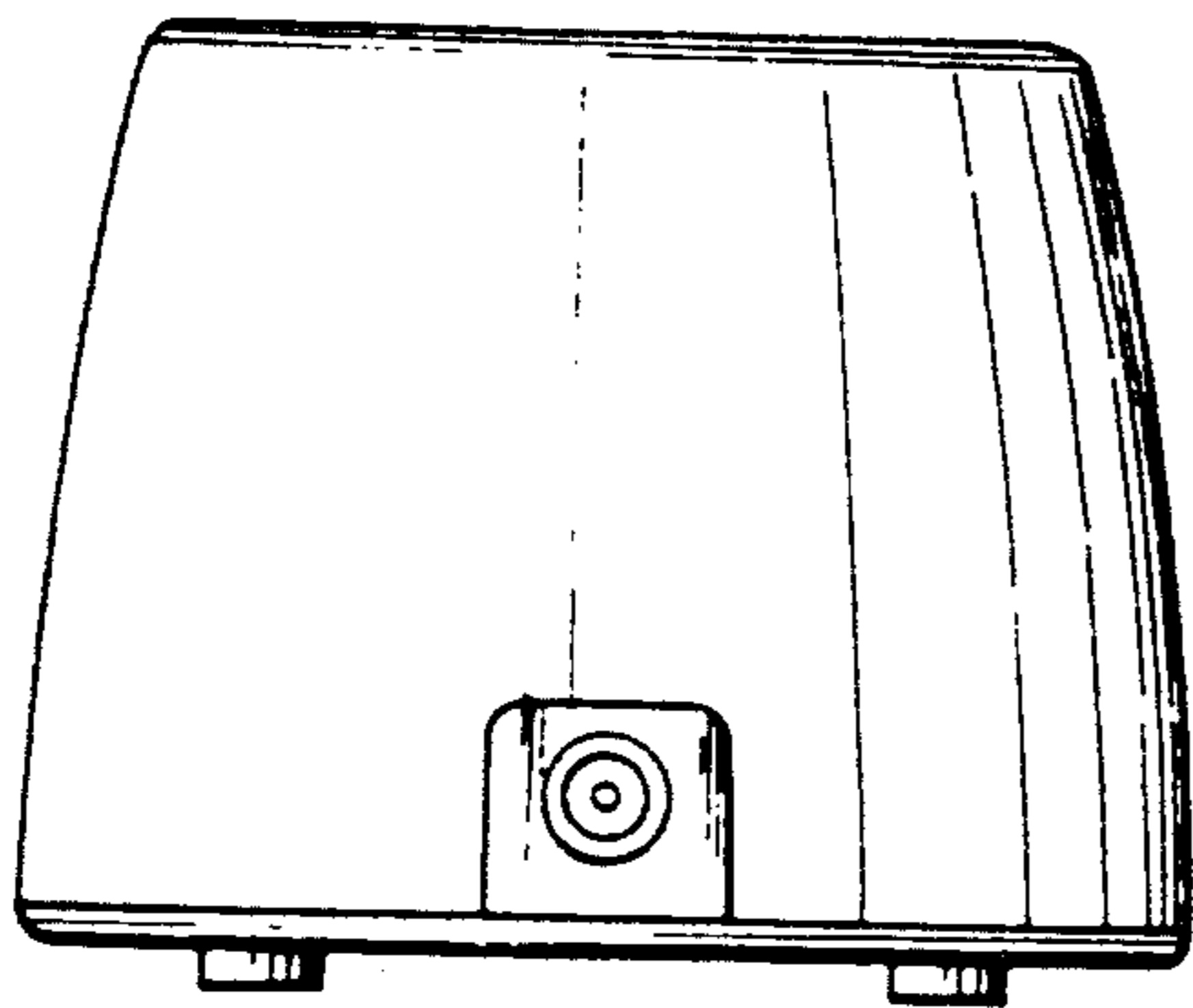


FIG. 3

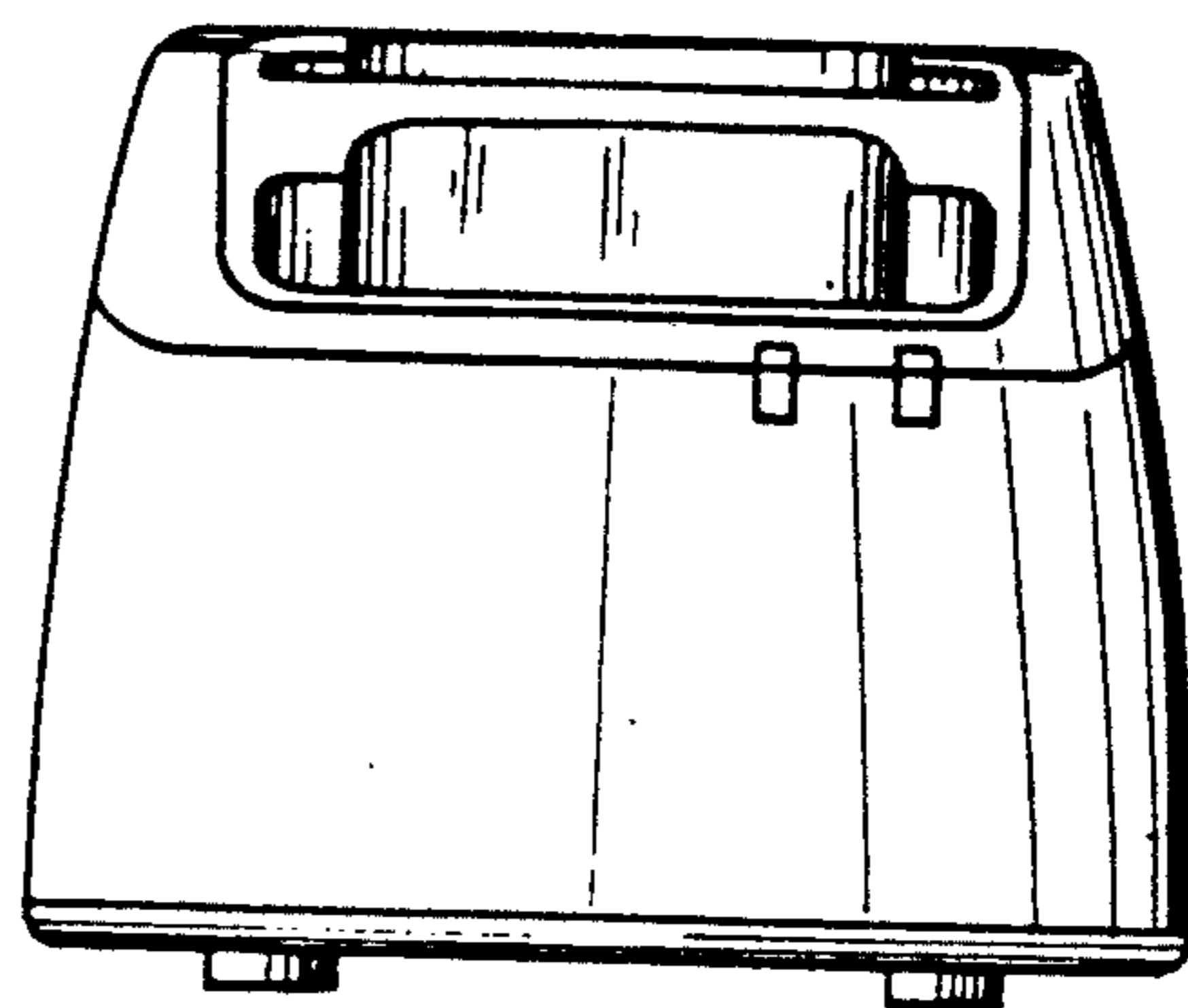


FIG. 4

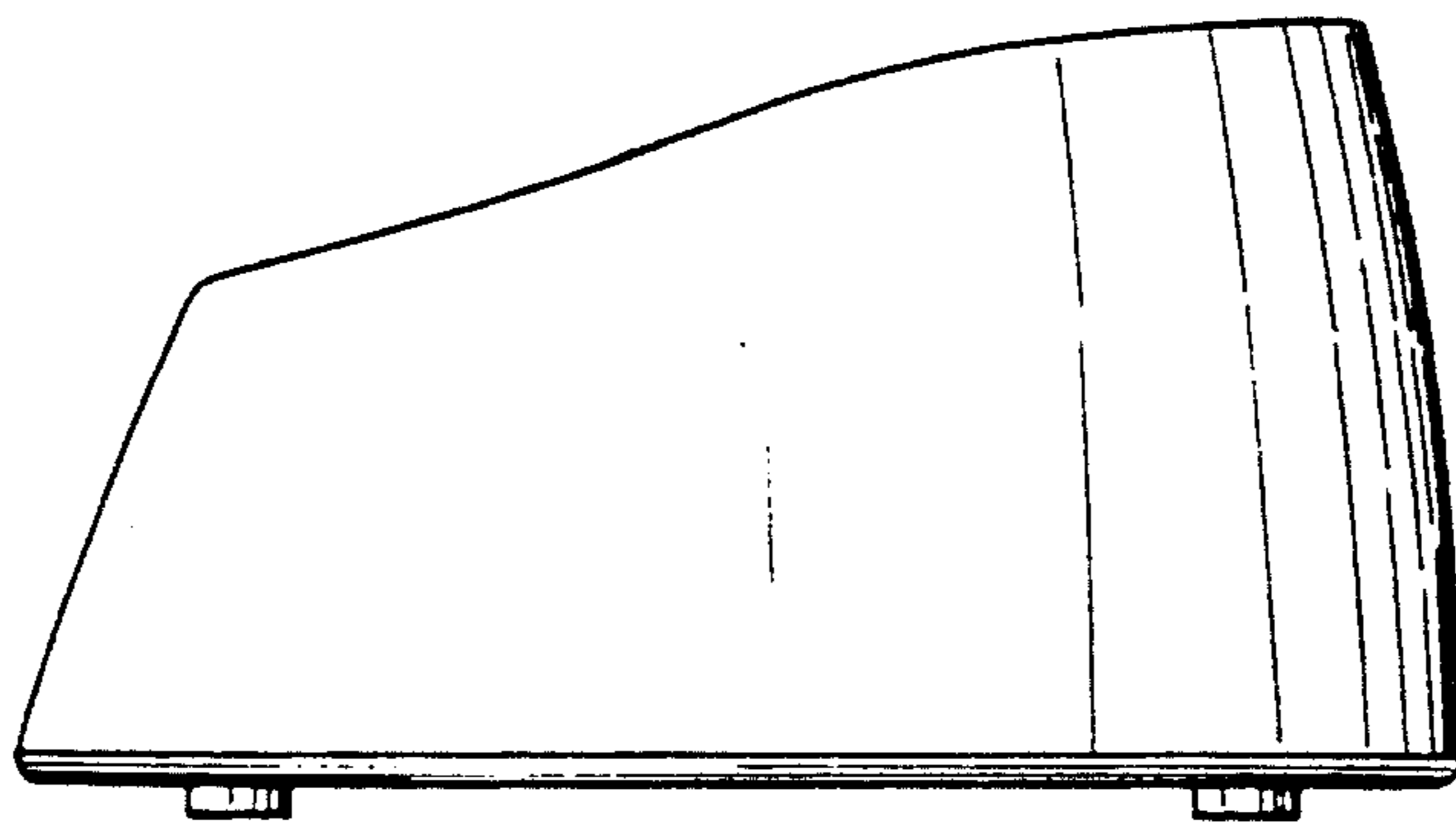


FIG. 5

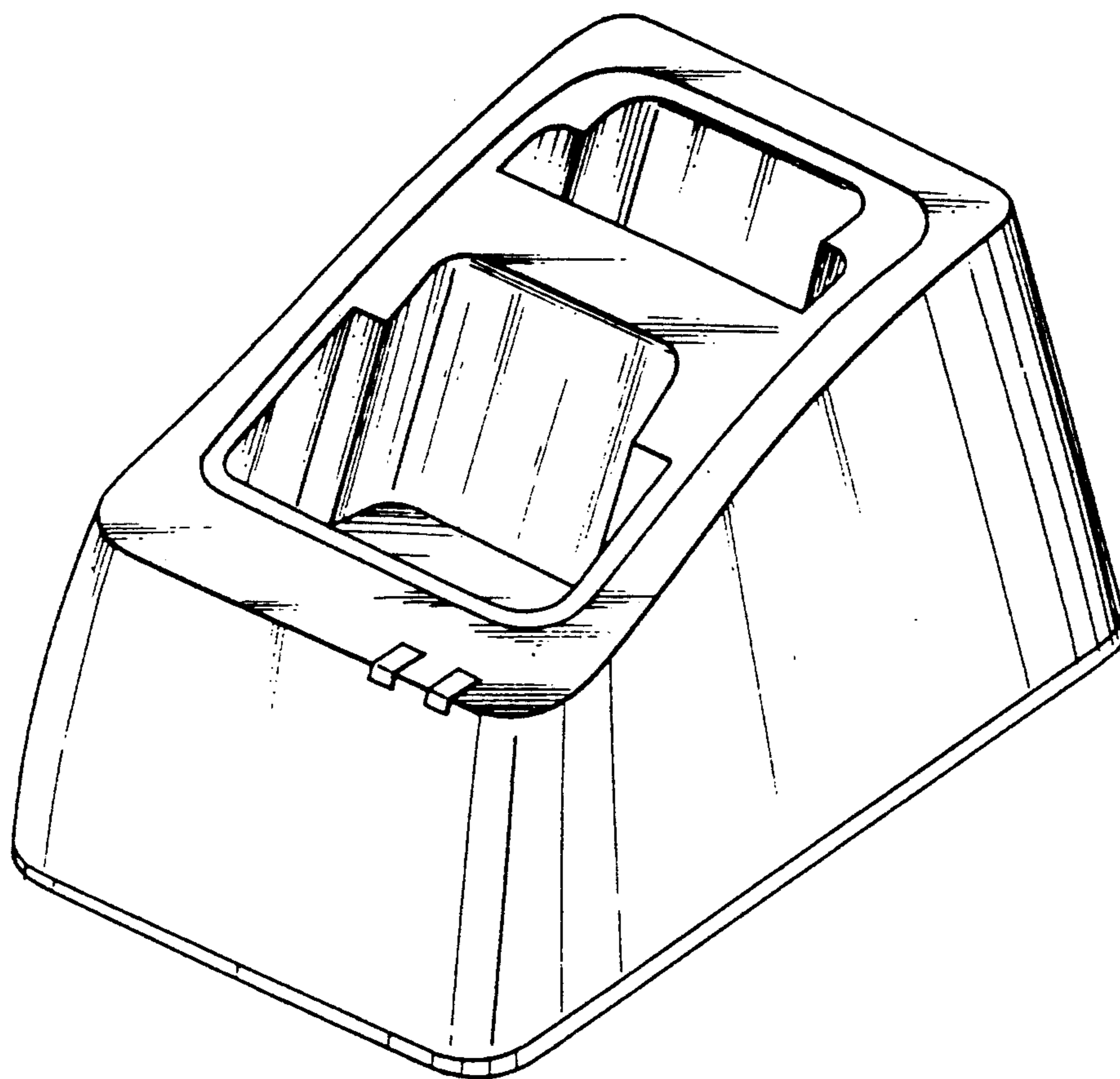


FIG. 6