



US00D349095S

# United States Patent [19]

[11] Patent Number: **Des. 349,095**

Gorenz, Jr. et al.

[45] Date of Patent: **\*\* Jul. 26, 1994**

[54] **BATTERY PACK FOR PORTABLE COMMUNICATOR/COMPUTER**

[75] Inventors: **Harold J. Gorenz, Jr.; Roger W. Ady**, both of Lisle; **William R. Groves**, Naperville; **C. Patrick Richardson**, Barrington, all of Ill.; **Mark B. Friesen**, Palo Alto, Calif.; **Hartmut Esslinger**, Los Gatos, Calif.; **Daniel K. Harden**, Palo Alto, Calif.

[73] Assignee: **Motorola, Inc.**, Schaumburg, Ill.

[\*\*] Term: **14 Years**

[21] Appl. No.: **10,381**

[22] Filed: **Jul. 2, 1993**

[52] U.S. Cl. .... **D13/103**

[58] Field of Search ..... 429/7, 96, 97, 99, 100, 429/123, 163; 320/2; D13/103

[56] **References Cited**

### U.S. PATENT DOCUMENTS

D. 295,739	5/1988	Lanci et al. ....	D13/103
D. 329,634	9/1992	Mizusugi et al. ....	D13/103
D. 343,381	10/1994	Inukai et al. ....	D13/103 X
5,058,045	10/1991	Ma .....	D13/103 X
5,210,681	5/1993	Hosoi et al. ....	429/99 X

*Primary Examiner*—Wallace R. Burke  
*Assistant Examiner*—Joel Sincavage  
*Attorney, Agent, or Firm*—Donna Rogers Maddox

[57] **CLAIM**

The ornamental design for a battery pack for a portable communicator/computer, as shown and described.

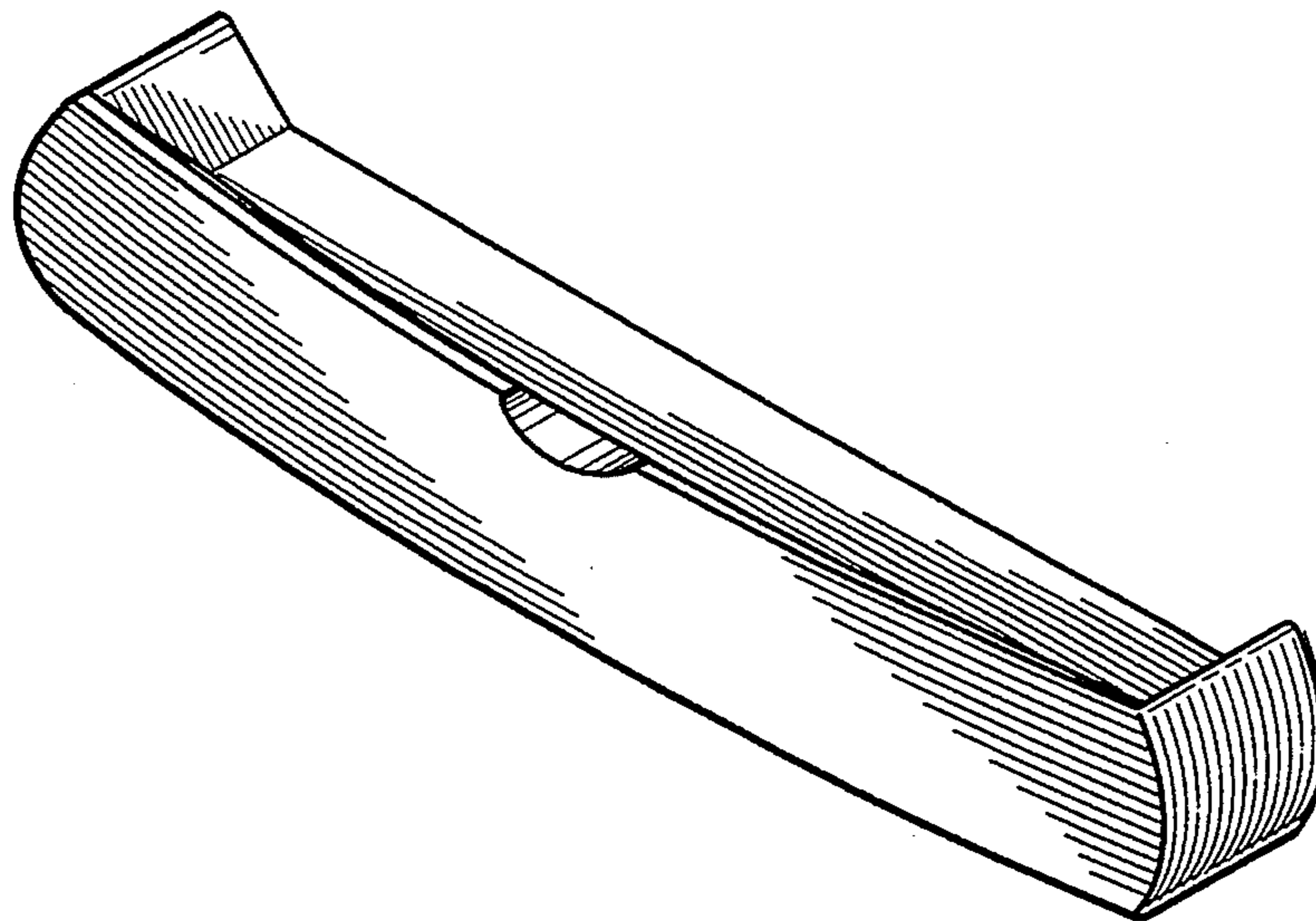
### DESCRIPTION

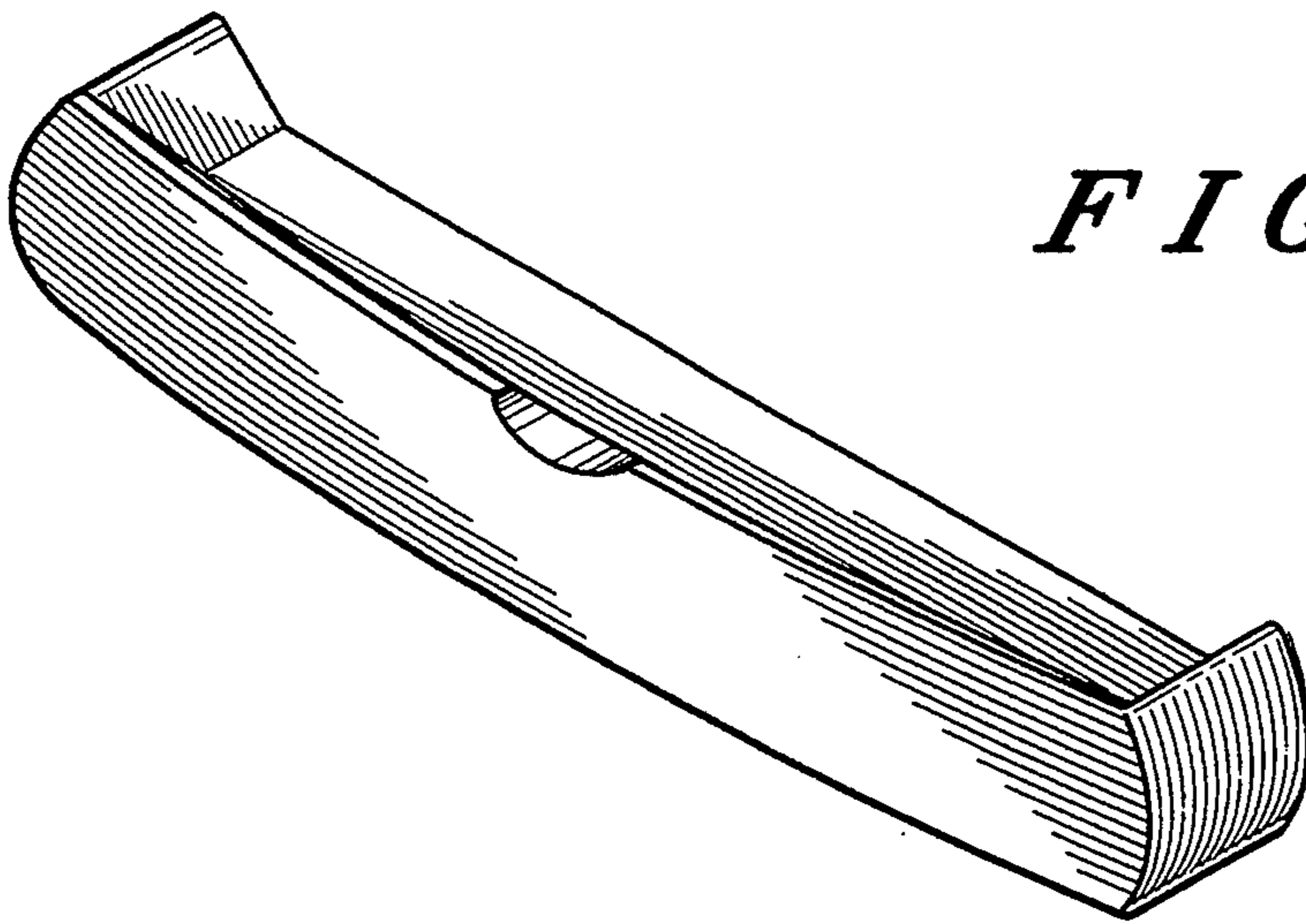
FIG. 1 is a top, right and front perspective view a "battery pack for a portable communicator/computer" showing our new design in full line.

FIG. 2 is a left elevational view thereof;

FIG. 3 is a rear elevational view thereof; and,

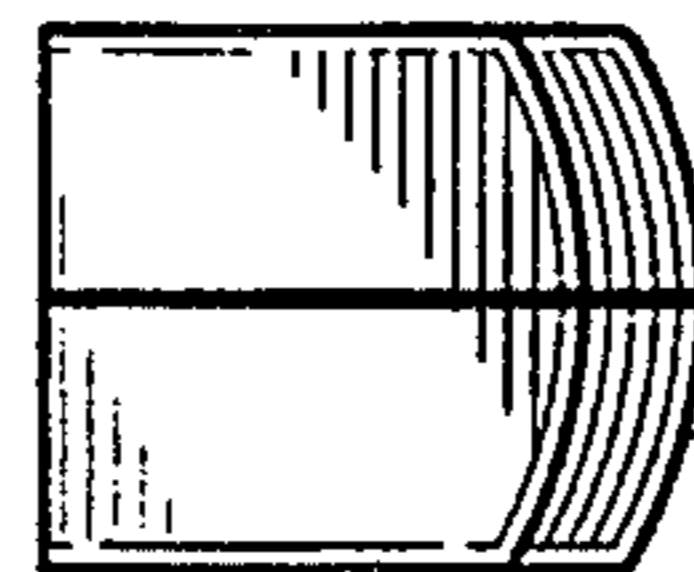
FIG. 4 is a bottom plan view.



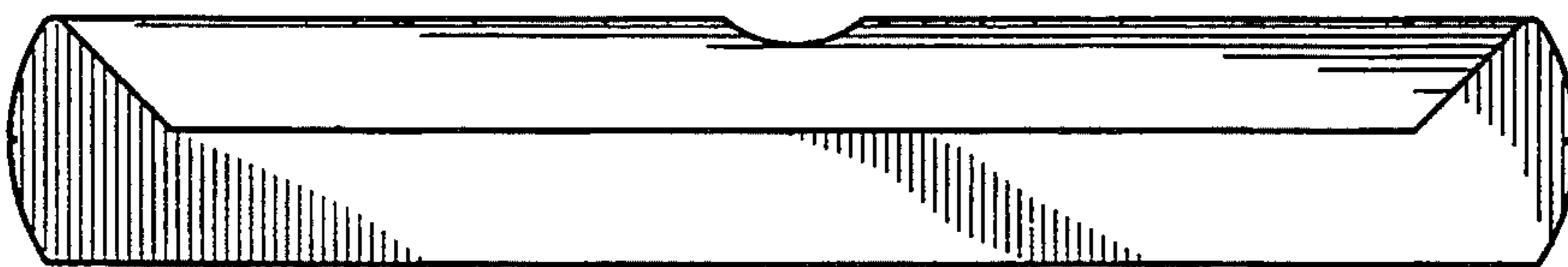


*FIG. 1*

*FIG. 2*



*FIG. 3*



*FIG. 4*

