



US00D349094S

United States Patent [19]

Alexandres et al.

[11] Patent Number: **Des. 349,094**

[45] Date of Patent: **** Jul. 26, 1994**

[54] **BATTERY HOUSING FOR A COMMUNICATION TRANSCEIVER**

[75] Inventors: **Jon K. Alexandres; Gary J. Downs; William R. Peterson**, all of Mason City, Iowa

[73] Assignee: **Alexander Manufacturing Company**, Mason City, Iowa

[**] Term: **14 Years**

[21] Appl. No.: **895,394**

[22] Filed: **Jun. 9, 1992**

[52] U.S. Cl. **D13/103**

[58] Field of Search 320/2, 3, 4; 429/96, 429/97, 98, 99, 100, 121, 122, 123; D13/103; D14/114, 138, 217

[56] **References Cited**

U.S. PATENT DOCUMENTS

- D. 265,985 8/1982 House, II D13/103
- D. 280,322 8/1985 Velinsky D14/114
- D. 280,717 9/1985 Schied et al. D13/103

- D. 283,888 5/1986 Claxton et al. D13/103
- D. 289,044 3/1987 Watanabe D14/138
- D. 295,511 5/1988 Scheid et al. D14/138 X
- D. 299,226 1/1989 Toth et al. D13/103
- D. 329,649 9/1992 Stamps, Jr. et al. D13/103 X
- 4,714,439 12/1987 Marabotto et al. 429/121 X
- 5,189,400 2/1993 Schultz 429/97 X

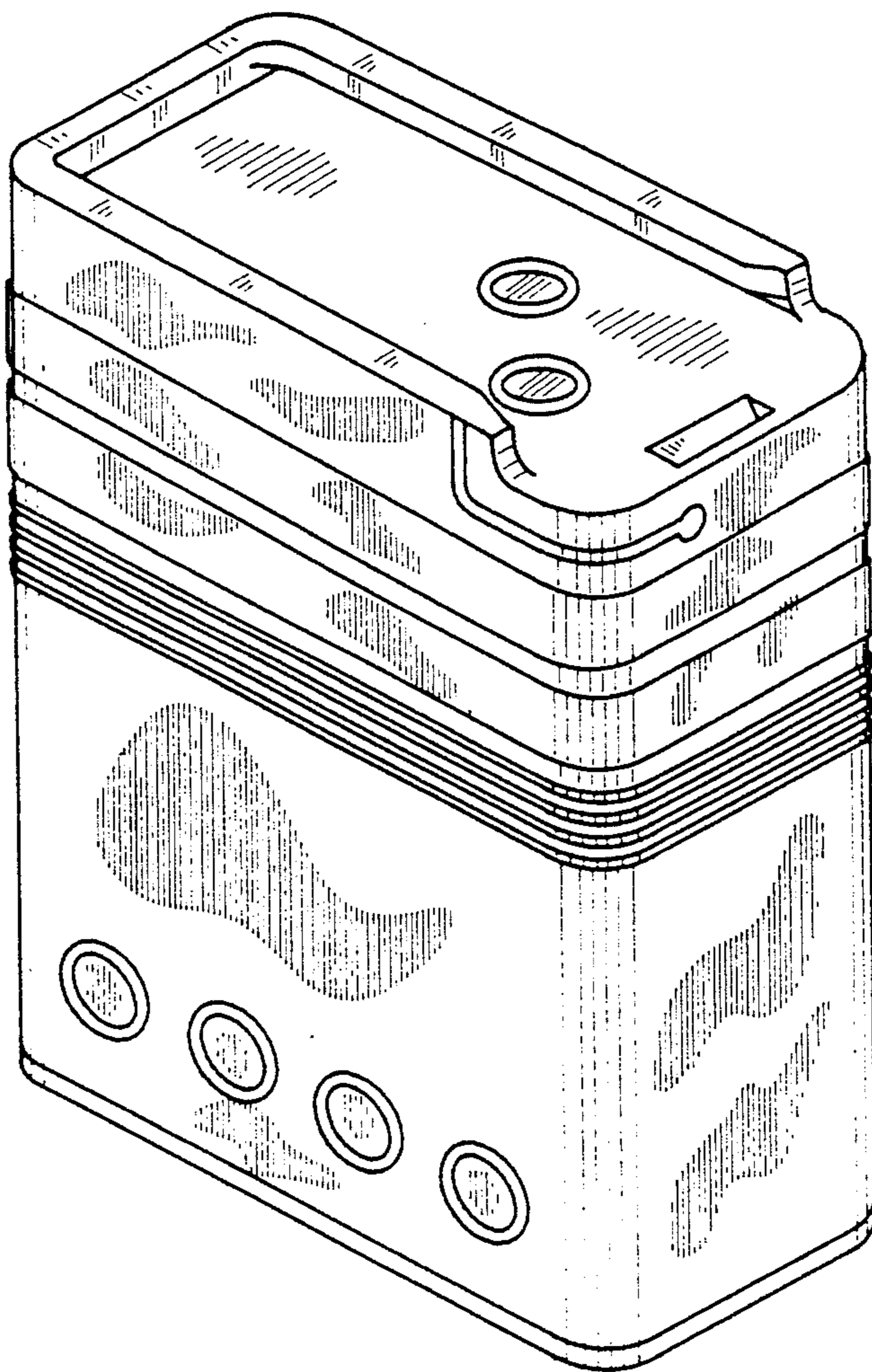
Primary Examiner—James M. Gandy
Assistant Examiner—Joel Sincavage
Attorney, Agent, or Firm—Hugh D. Jaeger

[57] **CLAIM**

The ornamental design for a battery housing for a communication transceiver, as shown.

DESCRIPTION

FIG. 1 illustrates a front view of battery housing for a communications transceiver showing our new design; FIG. 2 illustrates a right side view thereof; FIG. 3 illustrates a left side view thereof; FIG. 4 illustrates a top view thereof; FIG. 5 illustrates a bottom view thereof; FIG. 6 illustrates a back view thereof; and, FIG. 7 illustrates a perspective view thereof.



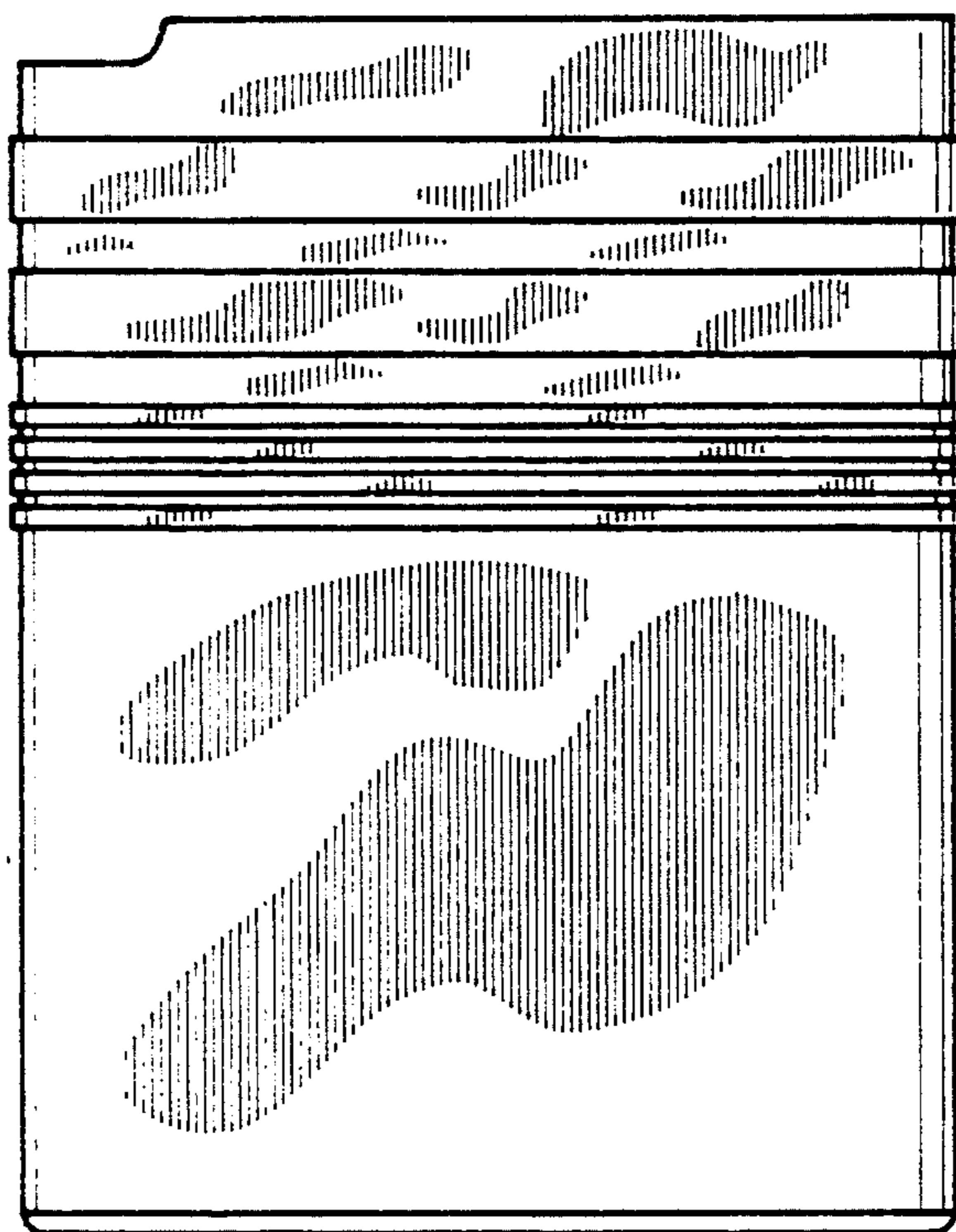


FIG. 1

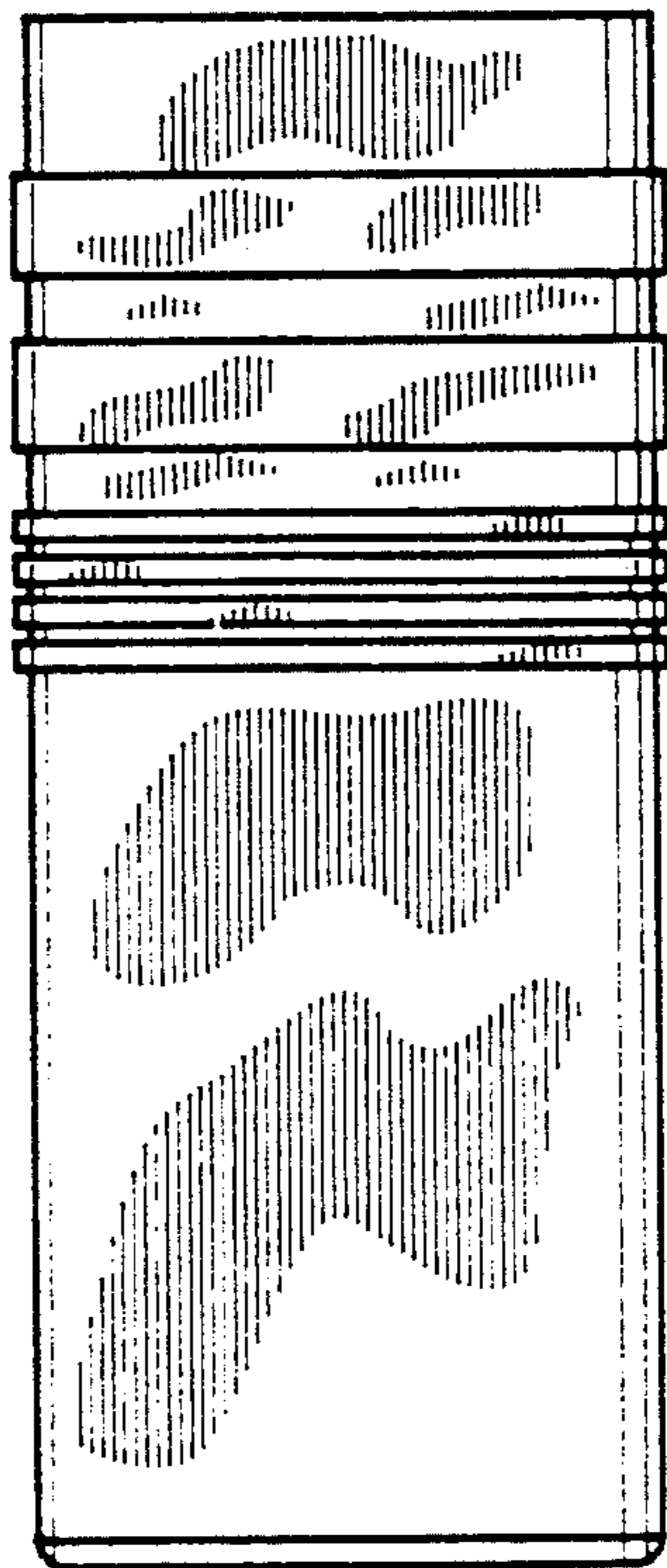


FIG. 2

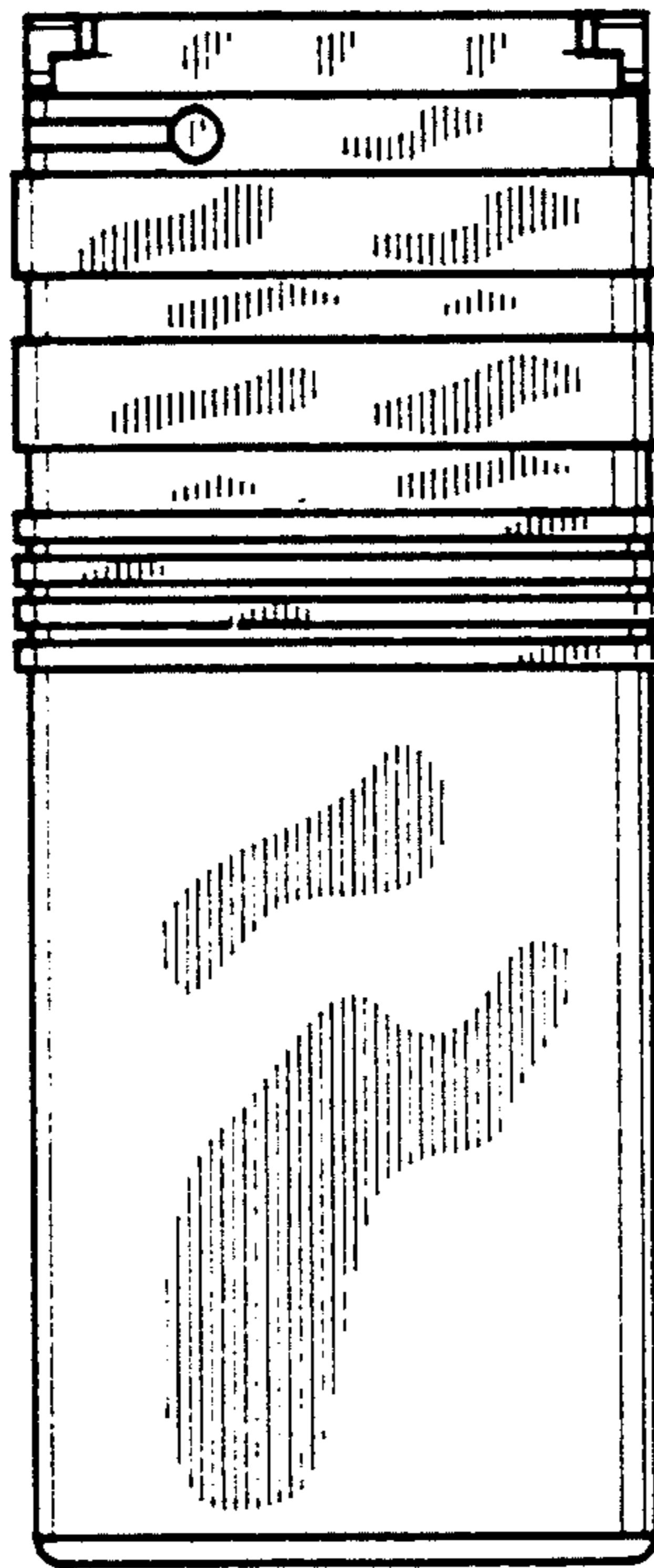


FIG. 3

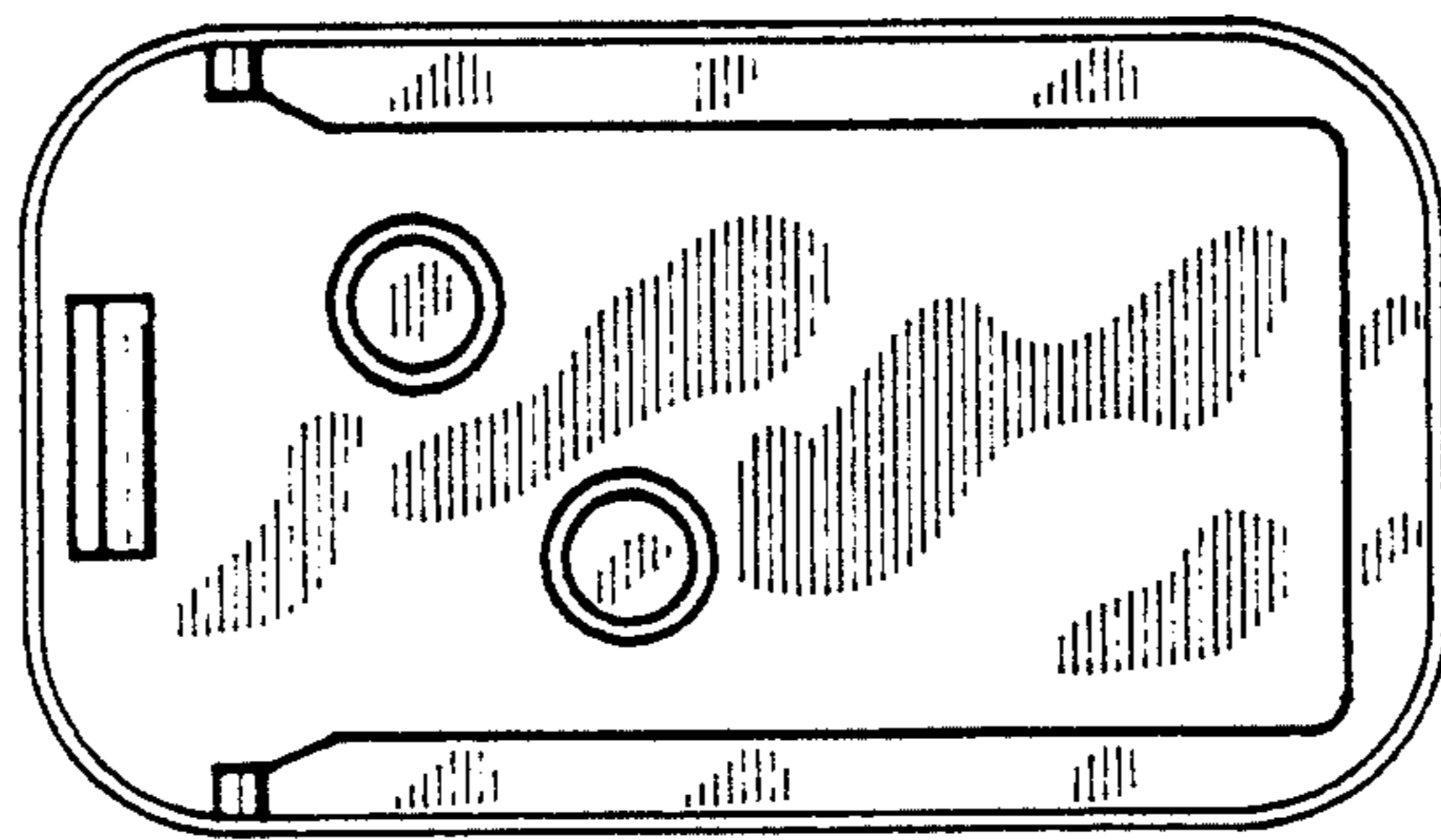


FIG. 4

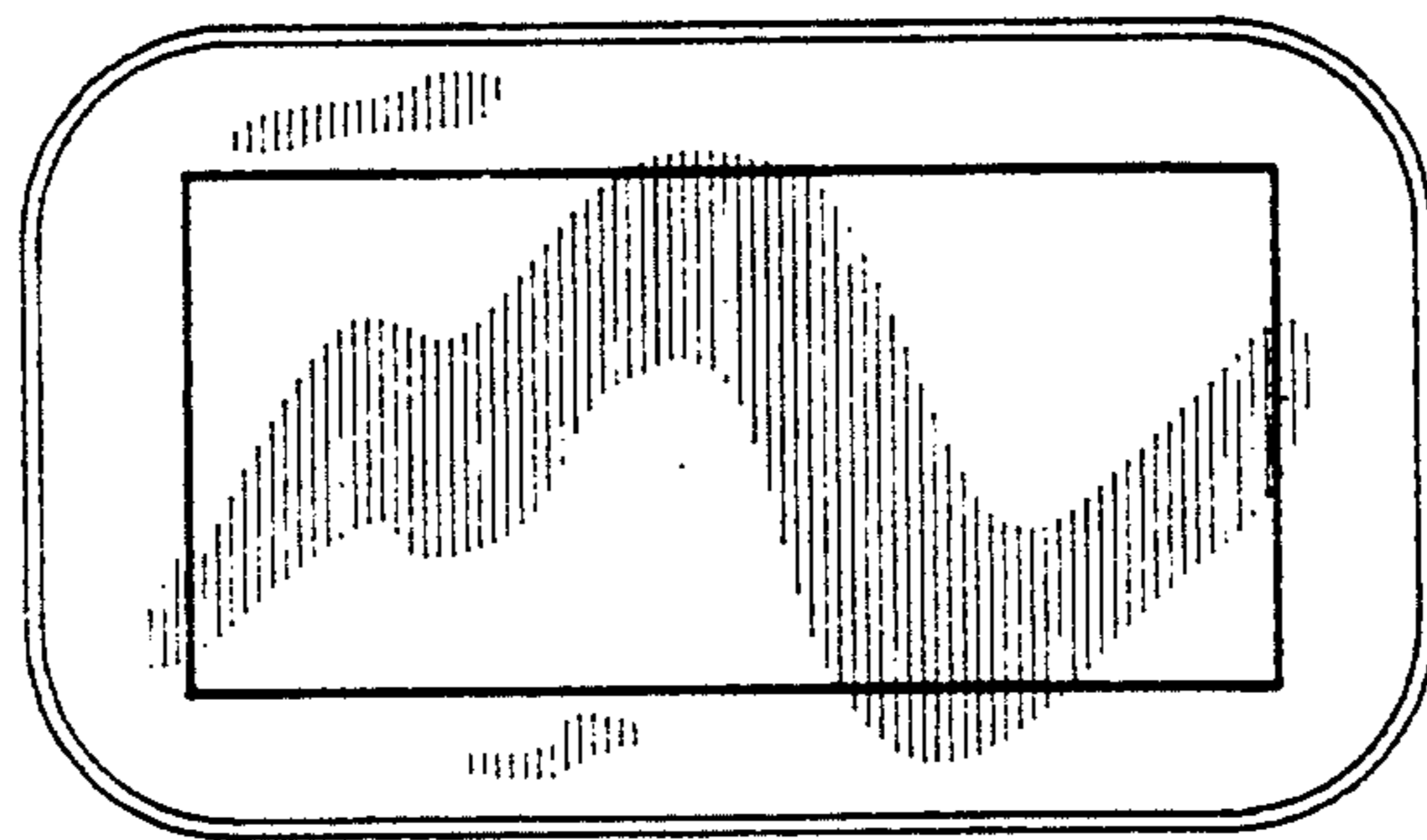


FIG. 5

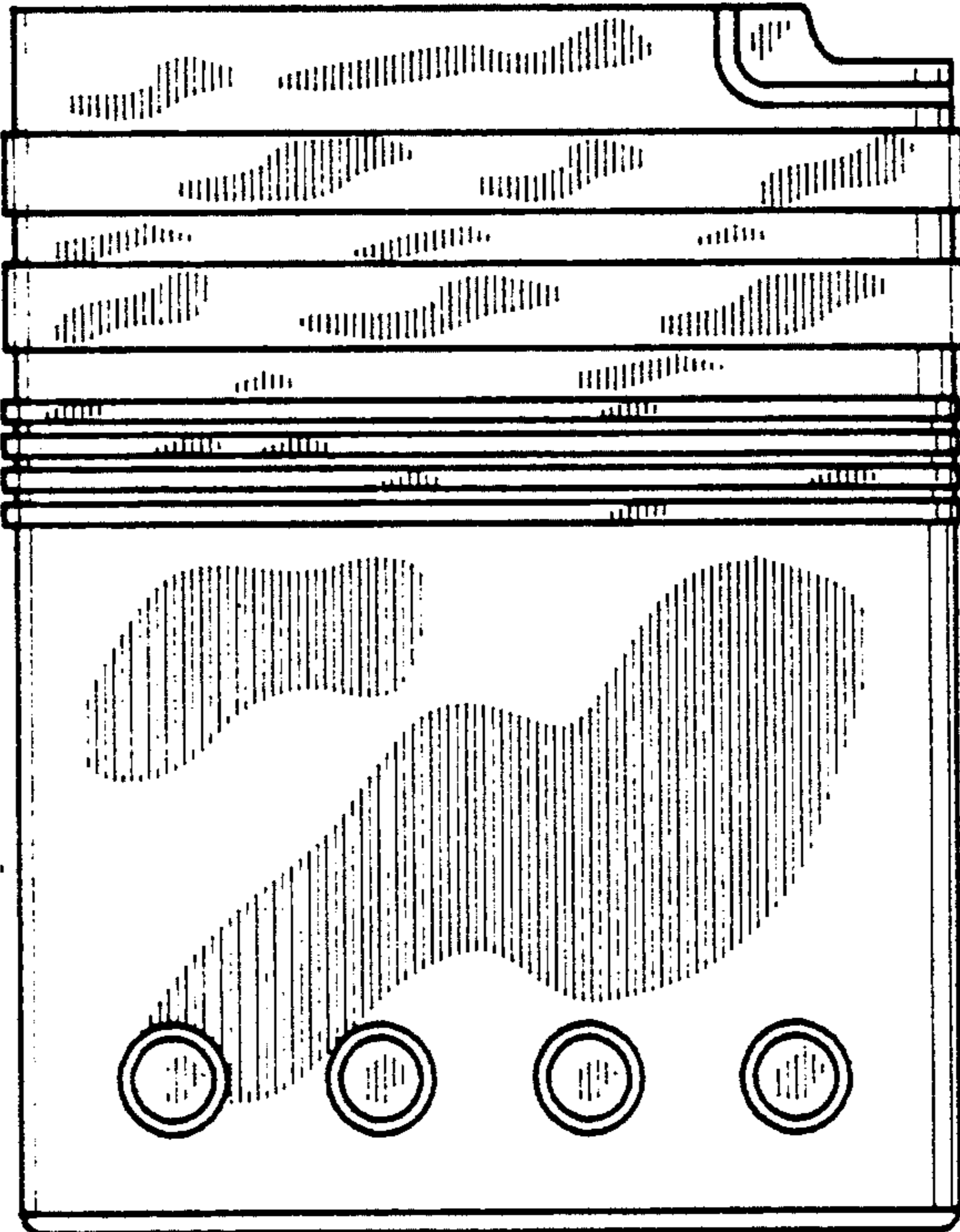


FIG. 6

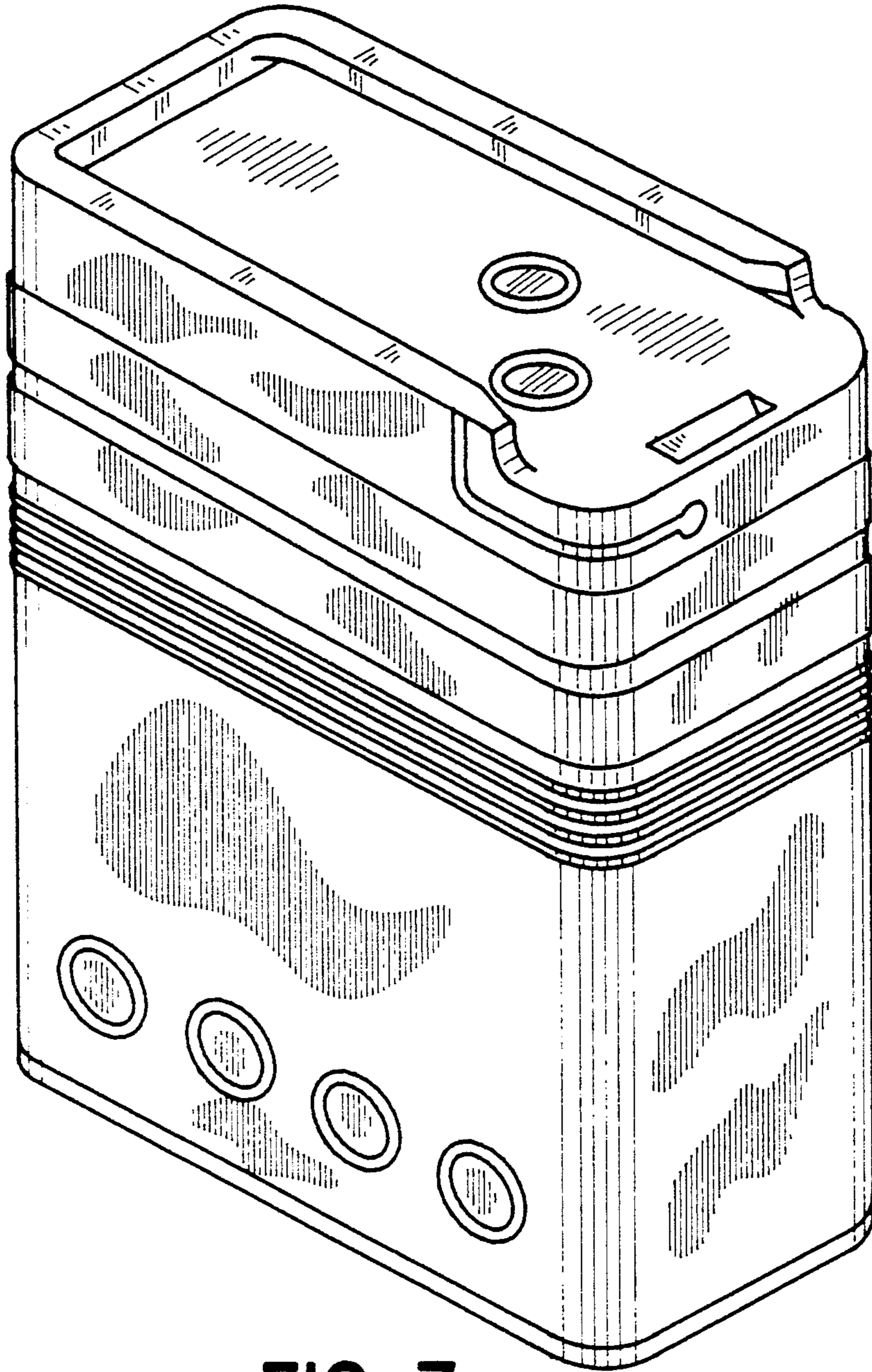


FIG. 7