



US00D349084S

United States Patent [19]

[11] Patent Number: **Des. 349,084**

Huffman et al.

[45] Date of Patent: **** Jul. 26, 1994**

[54] **AUTO HITCH GUIDE**

| | | | |
|-----------|---------|---------|-----------|
| 4,781,394 | 11/1988 | Schwarz | 280/477 |
| 4,840,392 | 6/1989 | Baskett | 280/477 |
| 4,856,200 | 8/1989 | Riggs | 33/264 |
| 5,085,452 | 2/1992 | Juniero | 280/416.1 |

[76] Inventors: **David Huffman; Keith Vanderpool**,
both of 1502 Patterson St.,
Flatwoods, Ky. 41139

Primary Examiner—Wallace R. Burke
Assistant Examiner—M. Brown
Attorney, Agent, or Firm—Terry M. Gernstein

[**] Term: **14 Years**

[21] Appl. No.: **6,871**

[57] **CLAIM**

[22] Filed: **Apr. 9, 1993**

The ornamental design for an auto hitch guide, as shown.

[52] U.S. Cl. **D12/162**

[58] Field of Search 280/477, 416.1;
116/28 R; 33/264; D12/162

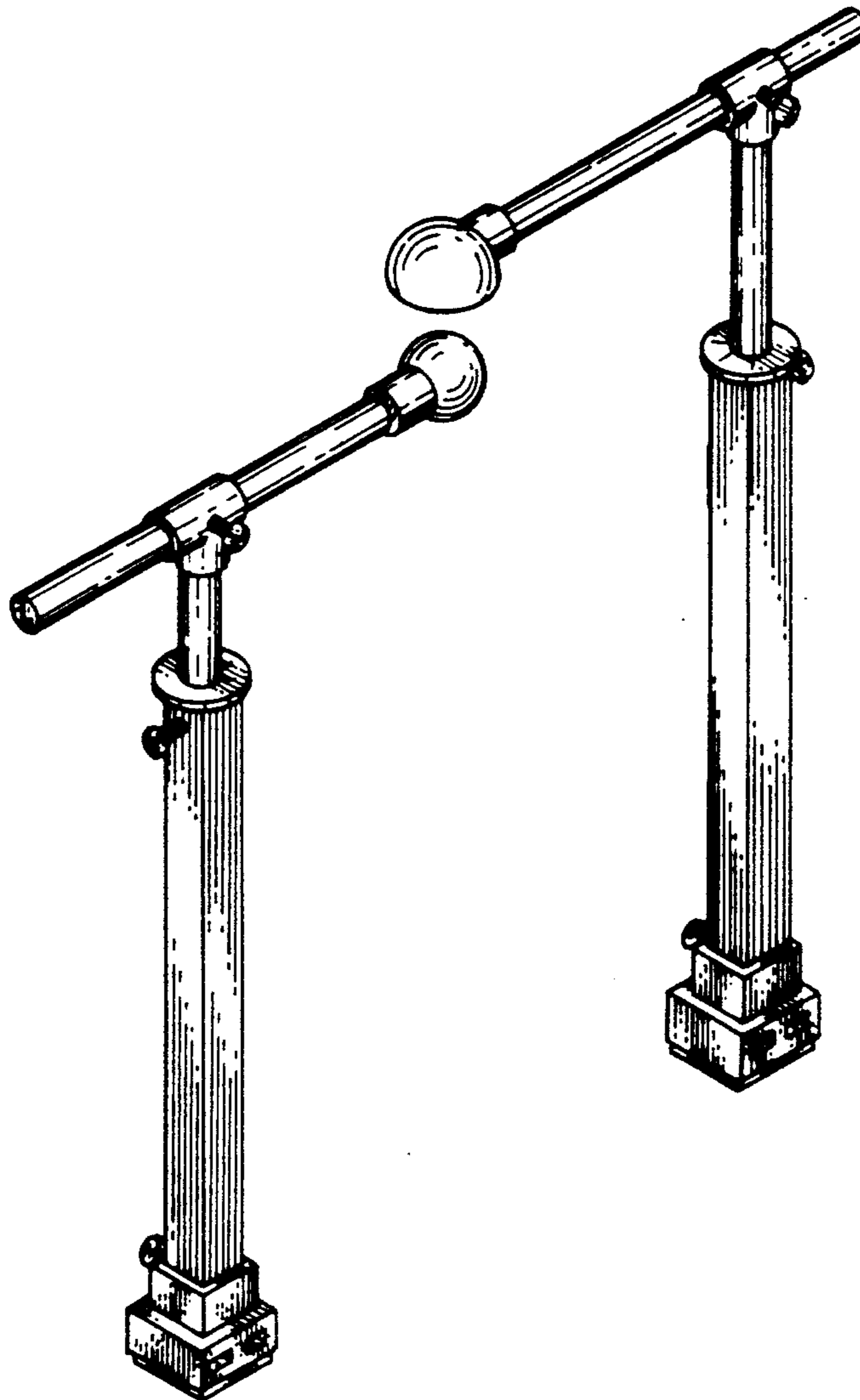
DESCRIPTION

[56] **References Cited**

U.S. PATENT DOCUMENTS

| | | | |
|------------|---------|----------|----------|
| D. 307,564 | 5/1990 | Mabry | D12/162 |
| D. 332,595 | 1/1993 | Randolph | D12/162 |
| D. 342,226 | 12/1993 | Rahn | D12/162 |
| 4,583,481 | 4/1986 | Garrison | 116/28 R |
| 4,723,788 | 2/1988 | Suter | 280/477 |

FIG. 1 is an exploded perspective view of the auto hitch guide showing our new design;
FIG. 2 is a front elevational view thereof;
FIG. 3 is a rear elevational view thereof;
FIG. 4 is a side elevational view thereof;
FIG. 5 is an opposite side elevational view thereof;
FIG. 6 is a top plan view thereof; and,
FIG. 7 is a bottom plan view thereof.



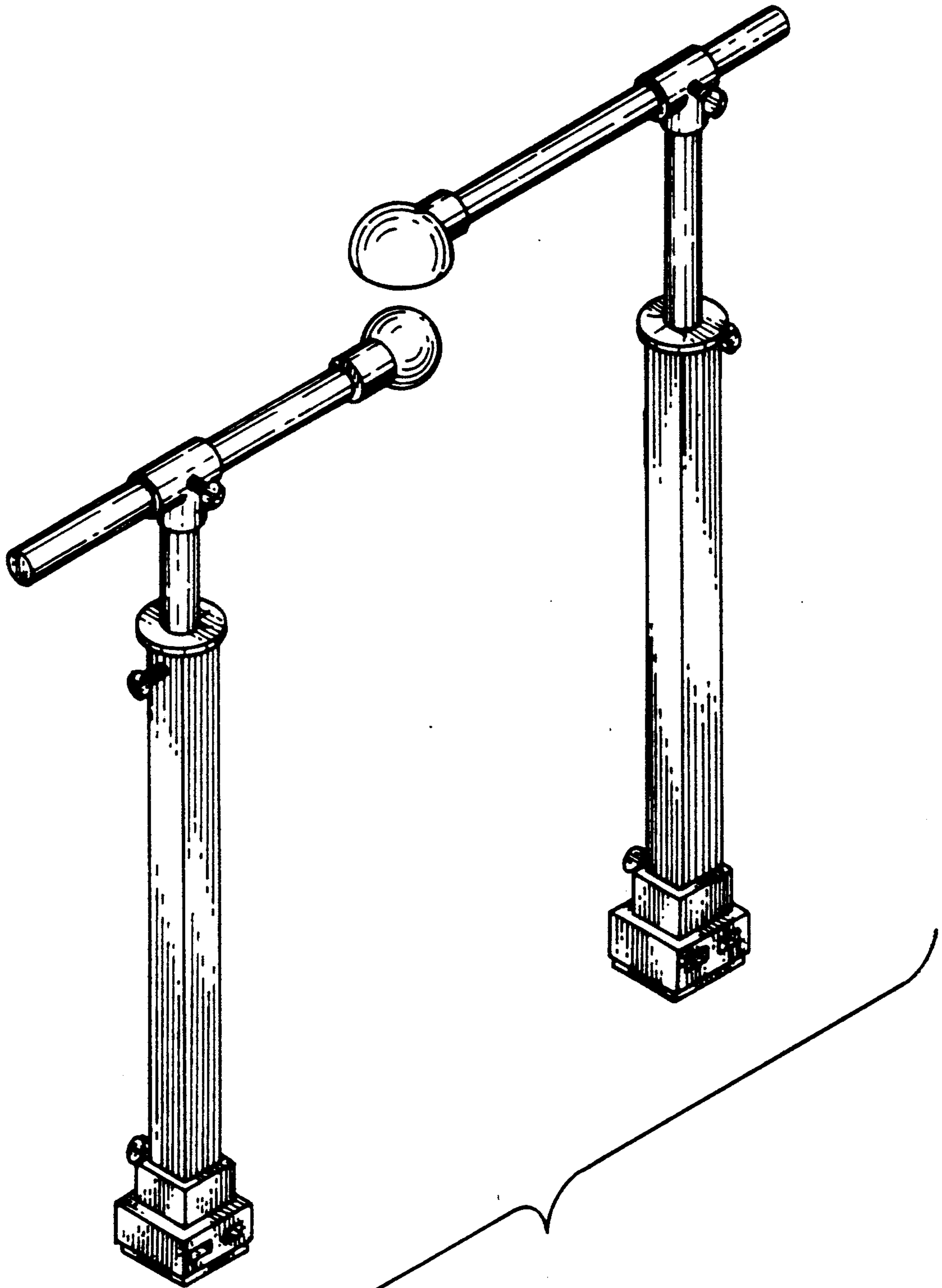


FIG. 1

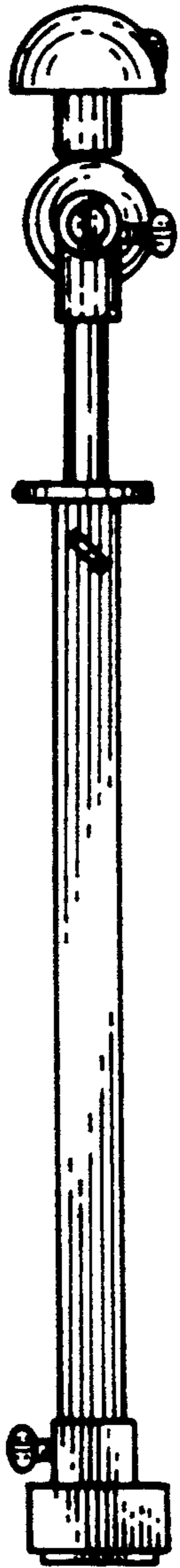


FIG. 2



FIG. 3

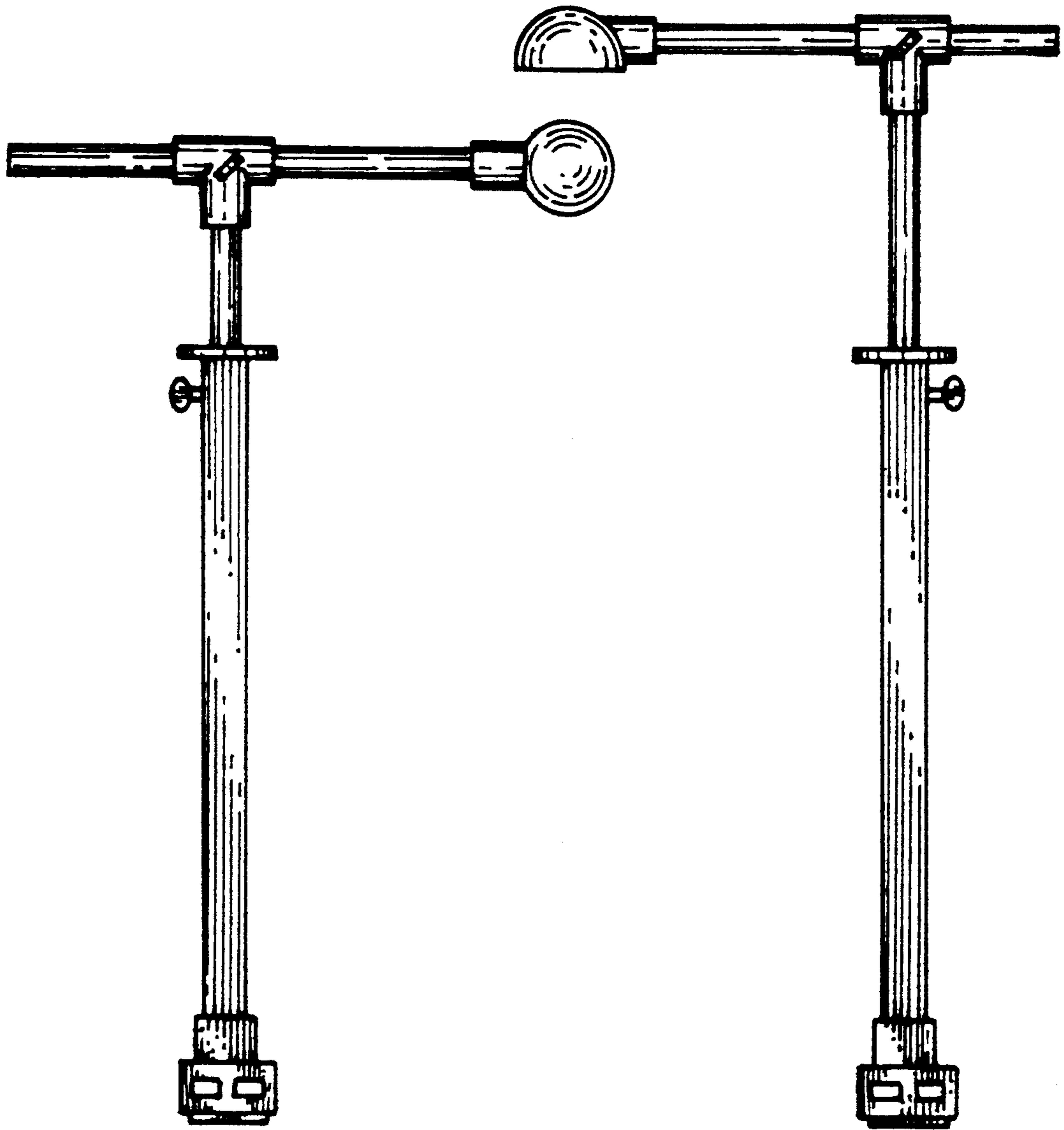


FIG. 4

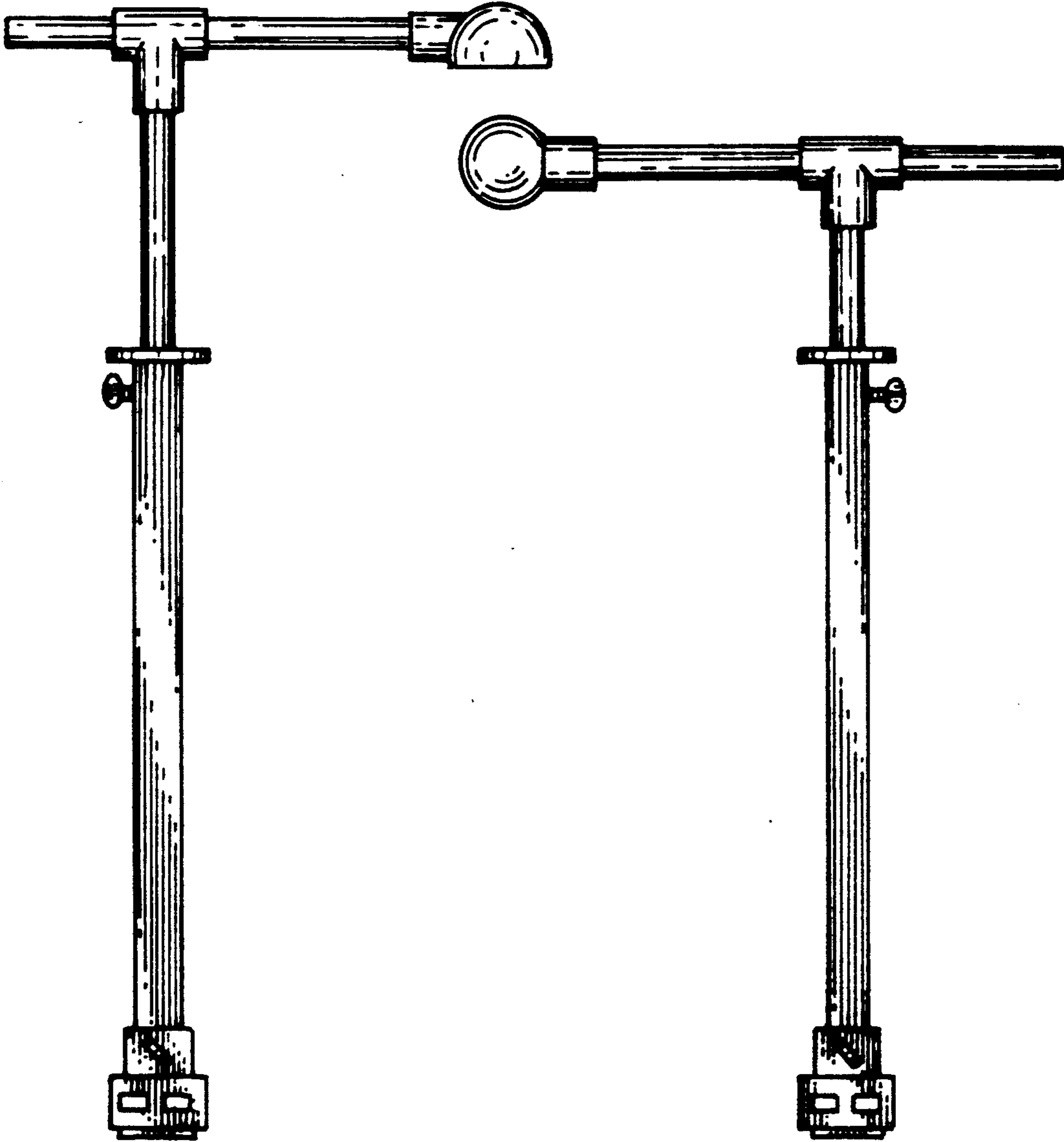


FIG. 5

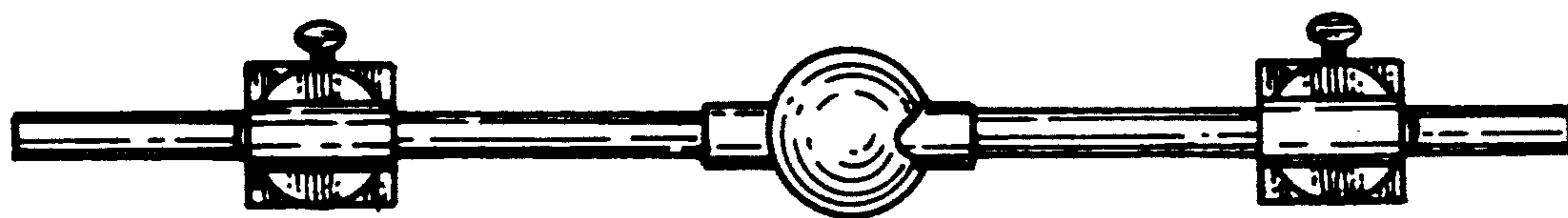


FIG. 6

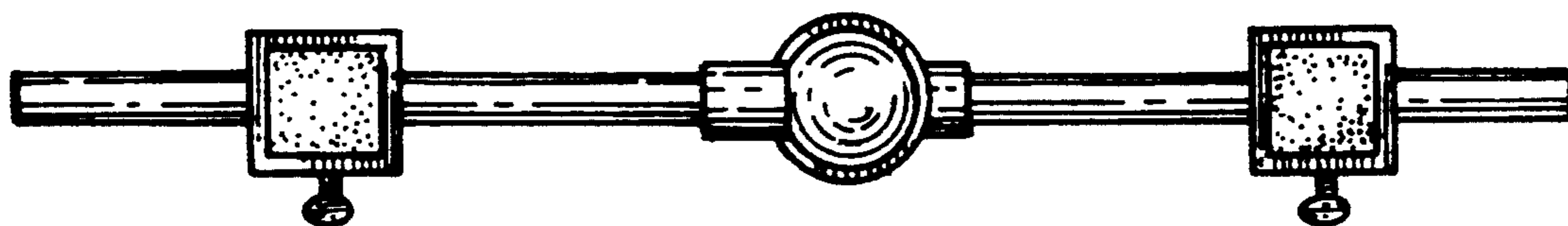


FIG. 7