



US00D349083S

**United States Patent** [19]  
**Hall**

[11] **Patent Number: Des. 349,083**  
[45] **Date of Patent: \*\* Jul. 26, 1994**

[54] **TRAILER HITCH COVER**

5,288,094 2/1994 Putnam ..... D8/354

[76] **Inventor: David E. Hall, 2085 S. Sylvan, West Linn, Oreg. 97068**

*Primary Examiner*—Wallace R. Burke  
*Assistant Examiner*—M. Brown  
*Attorney, Agent, or Firm*—Klarquist, Sparkman, Campbell, Leigh & Winston

[\*\*] **Term: 14 Years**

[21] **Appl. No.: 4,628**

[57] **CLAIM**

[22] **Filed: May 27, 1993**

The ornamental design for a trailer hitch cover, as shown and described.

[52] **U.S. Cl. .... D12/162**

[58] **Field of Search ..... D8/354, 380; 250/511, 250/507, 477, 491.2; 248/300, 316.8; D12/162**

**DESCRIPTION**

[56] **References Cited**

**U.S. PATENT DOCUMENTS**

D. 309,706	8/1990	Propp .....	D8/354
D. 311,859	11/1990	Bohringer .....	D8/380
2,877,025	3/1959	Jay .....	D12/162
4,738,464	4/1988	Putnam .....	280/500
5,094,469	3/1992	Yamamoto et al. ....	280/511
5,246,244	9/1993	Colibert .....	280/511

FIG. 1 is a perspective view of a trailer hitch cover showing my new design, it being understood that the broken lines are for illustrative purposes only and forms no part of the claimed design;

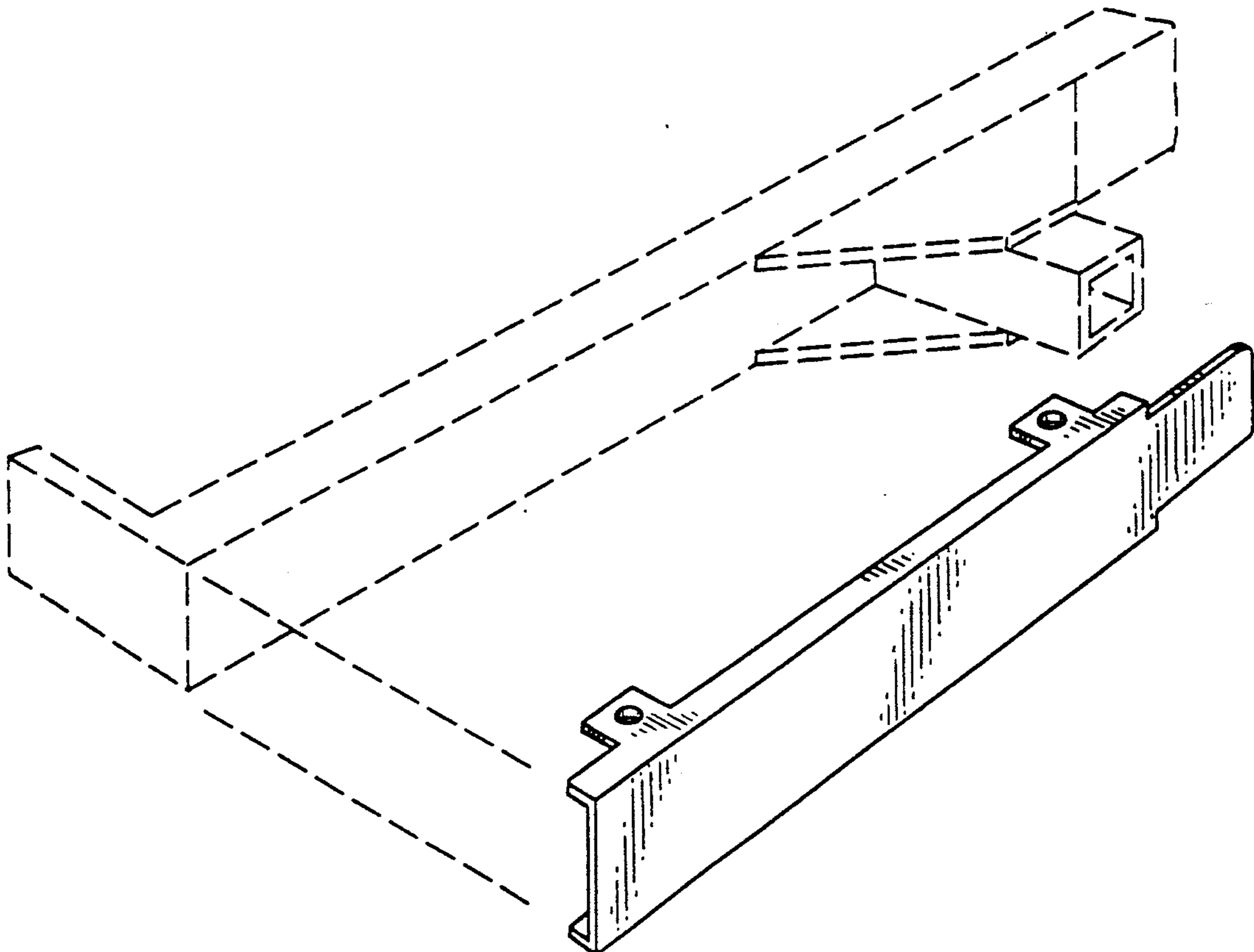
FIG. 2 is a left end view of the cover;

FIG. 3 is a right end view of the cover;

FIG. 4 is a rear elevation view of the cover;

FIG. 5 is a top plan view of the cover, the bottom plan view being a mirror image thereof; and,

FIG. 6 is a front elevation view of the cover.



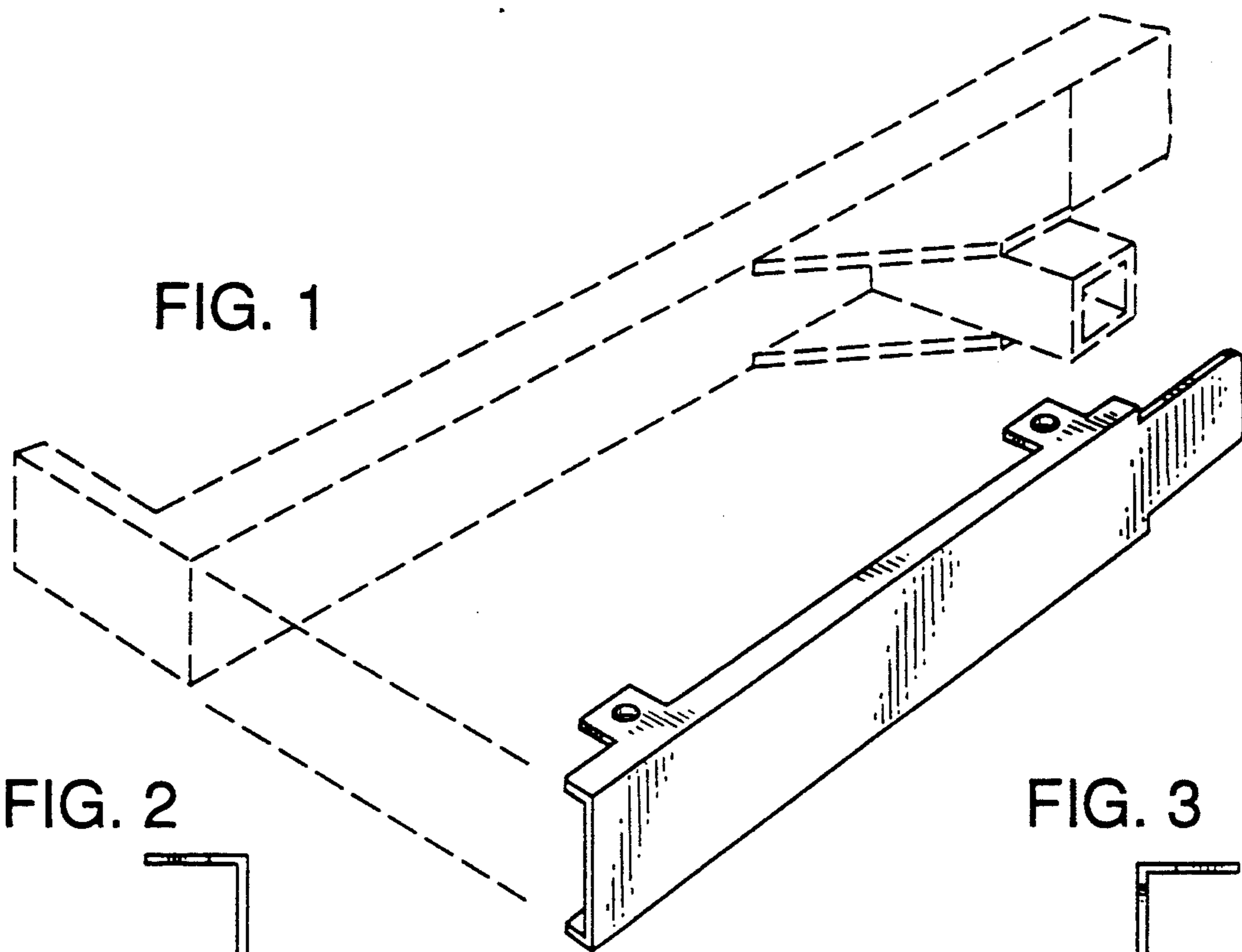


FIG. 2



FIG. 3



FIG. 4

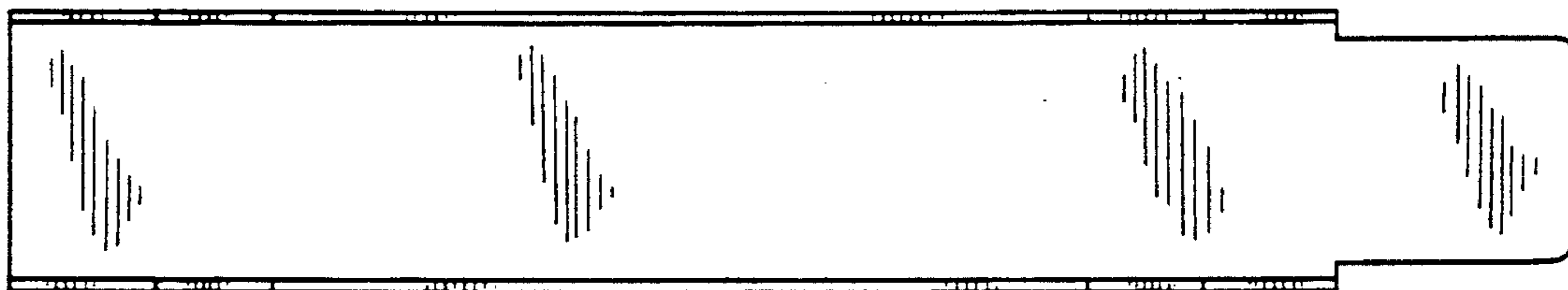


FIG. 5



FIG. 6

