



US00D349082S

United States Patent [19]

[11] Patent Number: Des. 349,082

Brabender

[45] Date of Patent: ** Jul. 26, 1994

[54] COMBINED WINDSHIELD WIPER AND WASHER

4,754,517 7/1988 Aldous 15/250.04

[76] Inventor: Earl E. Brabender, OEC NAS
Fallon, Fallon, Nev. 89496

FOREIGN PATENT DOCUMENTS

1271508 8/1961 France 15/250.36

[**] Term: 14 Years

Primary Examiner—James M. Gandy
Attorney, Agent, or Firm—Terry M. Gernstein

[21] Appl. No.: 12,283

[57] CLAIM

[22] Filed: Aug. 30, 1993

The ornamental design for a combined windshield wiper and washer, as shown and described.

[52] U.S. Cl. D12/219

[58] Field of Search 15/250.03, 250.04, 250.06,
15/250.36, 250.4, 250.41, 250.42; D12/155

DESCRIPTION

[56] References Cited

U.S. PATENT DOCUMENTS

1,816,370	7/1931	Hachenberg	15/250.41
4,567,621	2/1986	Alley, Jr.	15/250.41
4,649,593	3/1987	Gilliam, III et al.	15/250.03
4,723,336	2/1988	Nakayama	15/250.41
4,745,653	5/1988	Bliznak	15/250.04

FIG. 1 is a front, top and side perspective view of the combined windshield wiper and washer embodying the design of the present invention;

FIG. 2 is a front elevational view thereof;

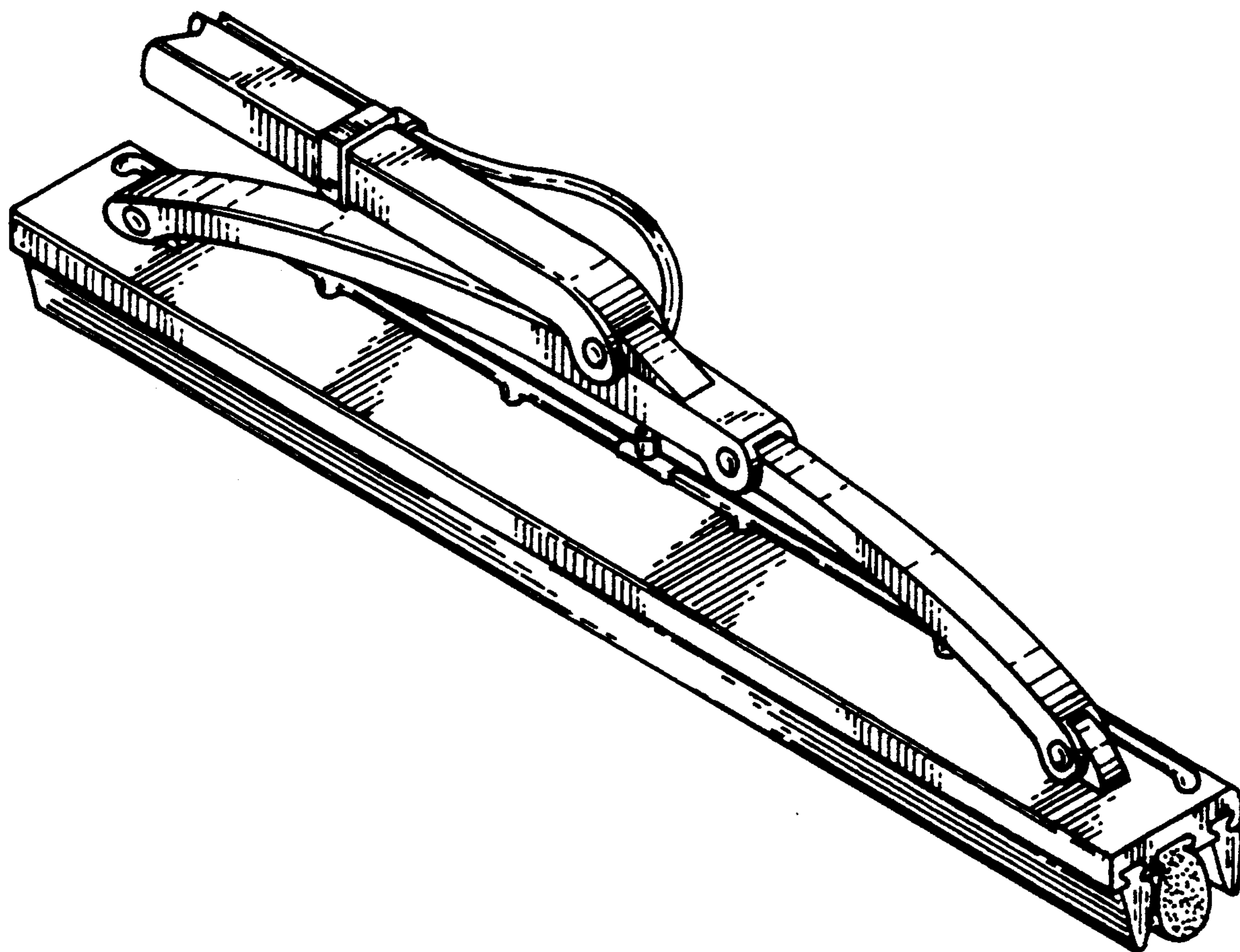
FIG. 3 is a rear elevational view thereof;

FIG. 4 is a side elevational view thereof;

FIG. 5 is a side elevational view thereof;

FIG. 6 is a top plan view thereof; and,

FIG. 7 is a bottom plan view thereof.



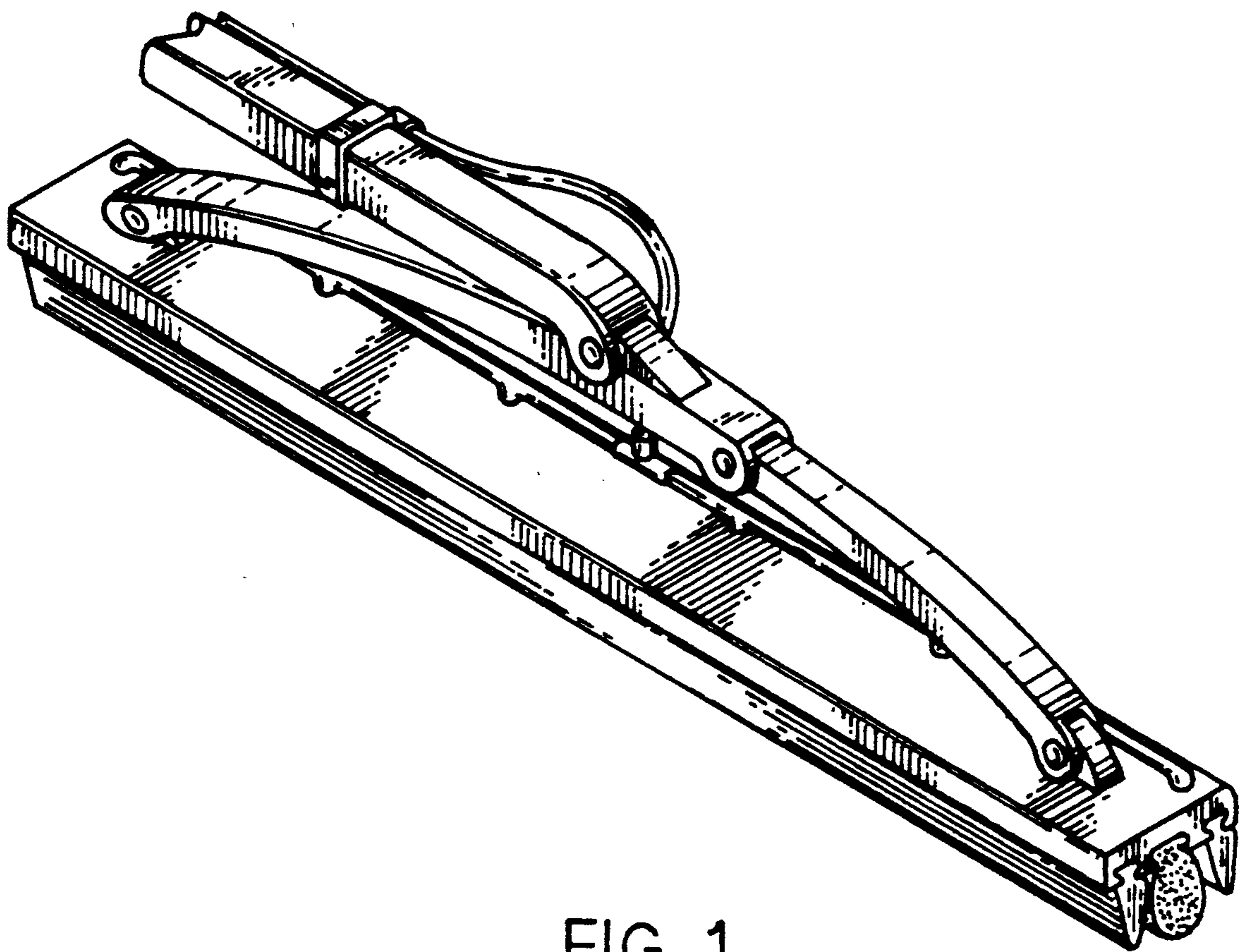


FIG. 1

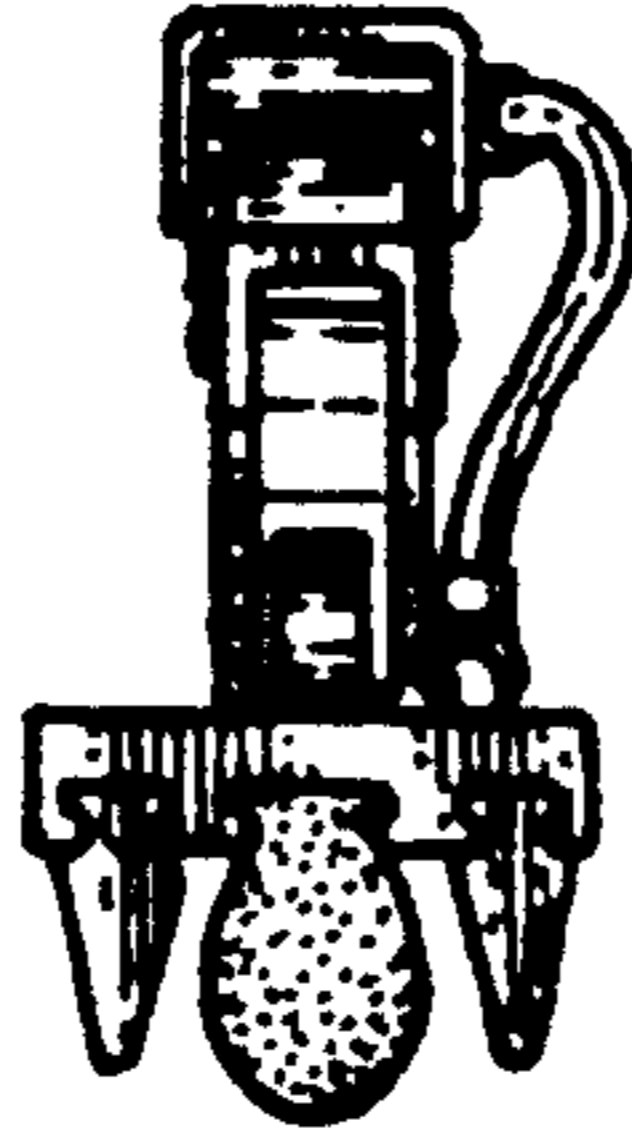


FIG. 2

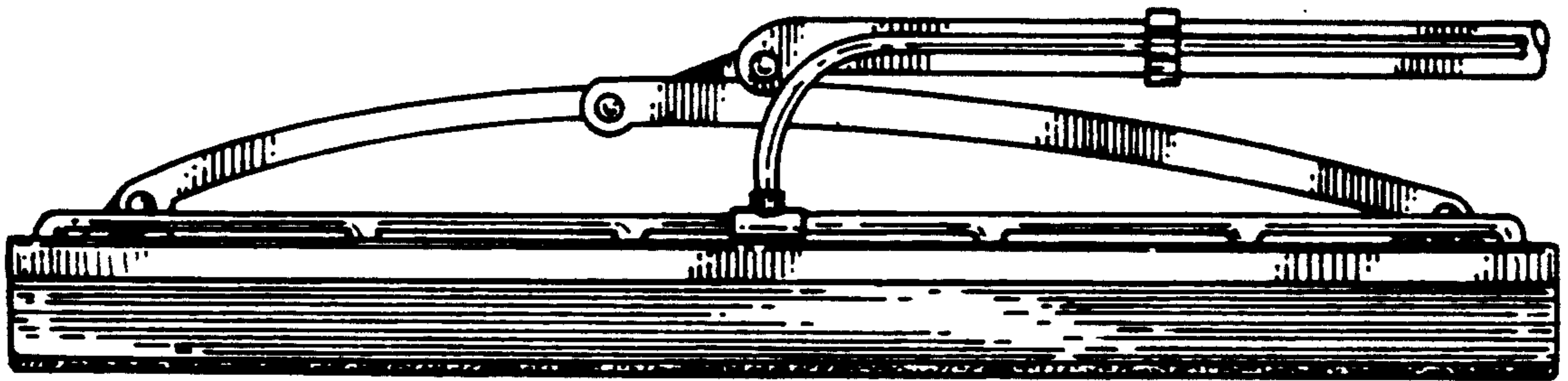


FIG. 4

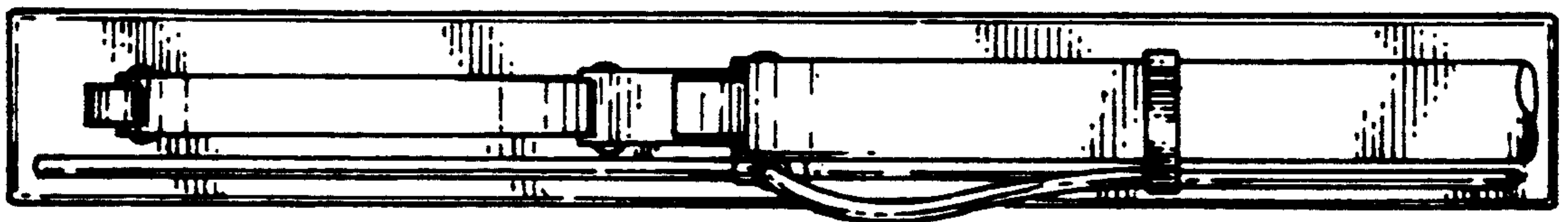


FIG. 6

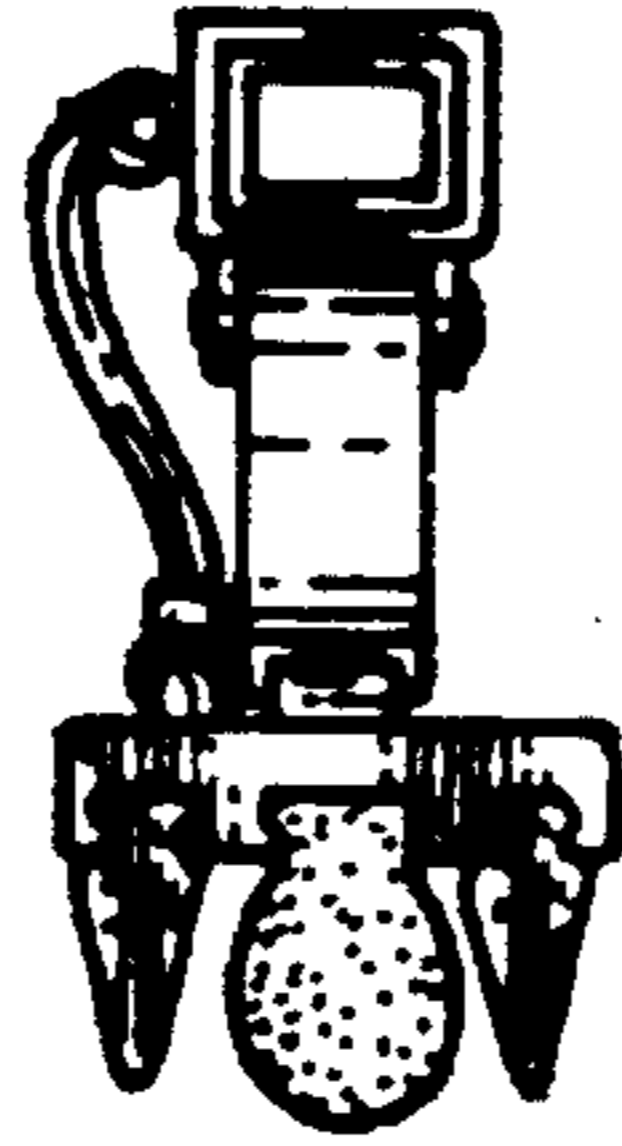


FIG. 3

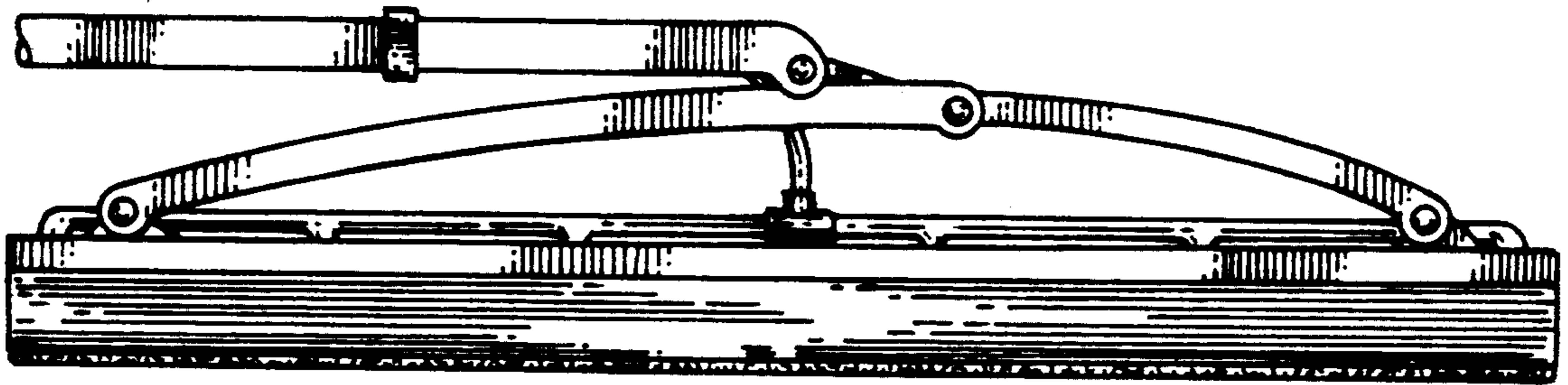


FIG. 5

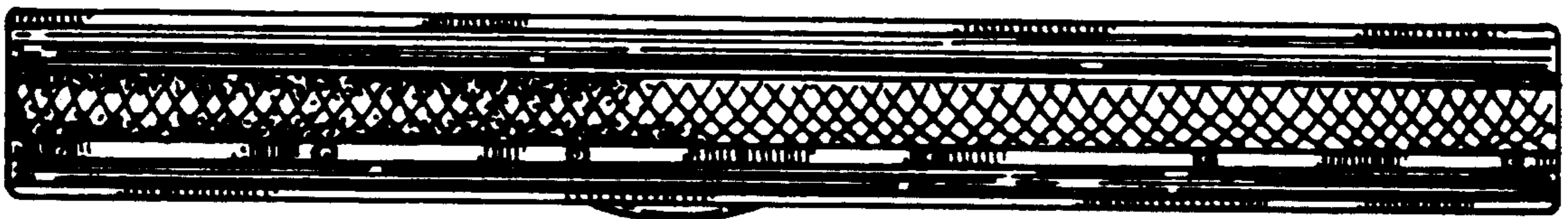


FIG. 7