



US00D349079S

# United States Patent [19]

[11] Patent Number: Des. 349,079

Matthies

[45] Date of Patent: \*\* Jul. 26, 1994

[54] SIMULATED CAM AND GENERATOR COVER FOR MOTORCYCLE

[76] Inventor: Lawayne L. Matthies, 809 Manor St., Grand Prairie, Tex. 75050

[\*\*] Term: 14 Years

[21] Appl. No.: 938,478

[22] Filed: Sep. 1, 1992

[52] U.S. Cl. .... D12/126

[58] Field of Search ..... 180/69.1, 219; D12/126, D12/114

Harley Davison Motorcycle Accessories Catalog, 1989, p. 27, chrome oil pump cover kit.  
Harley-Davidson Panhead Service Manual, 1948-1957 Rigid, two unnumbered pages as attached hereto. (Date of publication unknown).

Primary Examiner—Wallace R. Burke  
Assistant Examiner—Melody N. Brown  
Attorney, Agent, or Firm—Andrew M. Hassell

### [57] CLAIM

The ornamental design for a simulated cam and generator cover for motorcycle, as shown.

### DESCRIPTION

FIG. 1 is a perspective view of a simulated cam and generator cover for motorcycle showing my new design;  
FIG. 2 is a front view thereof;  
FIG. 3 is a top view thereof;  
FIG. 4 is one end view thereof;  
FIG. 5 is a view of the other end thereof;  
FIG. 6 is a back view of the ornamental simulated cover; and,  
FIG. 7 is a bottom view thereof.

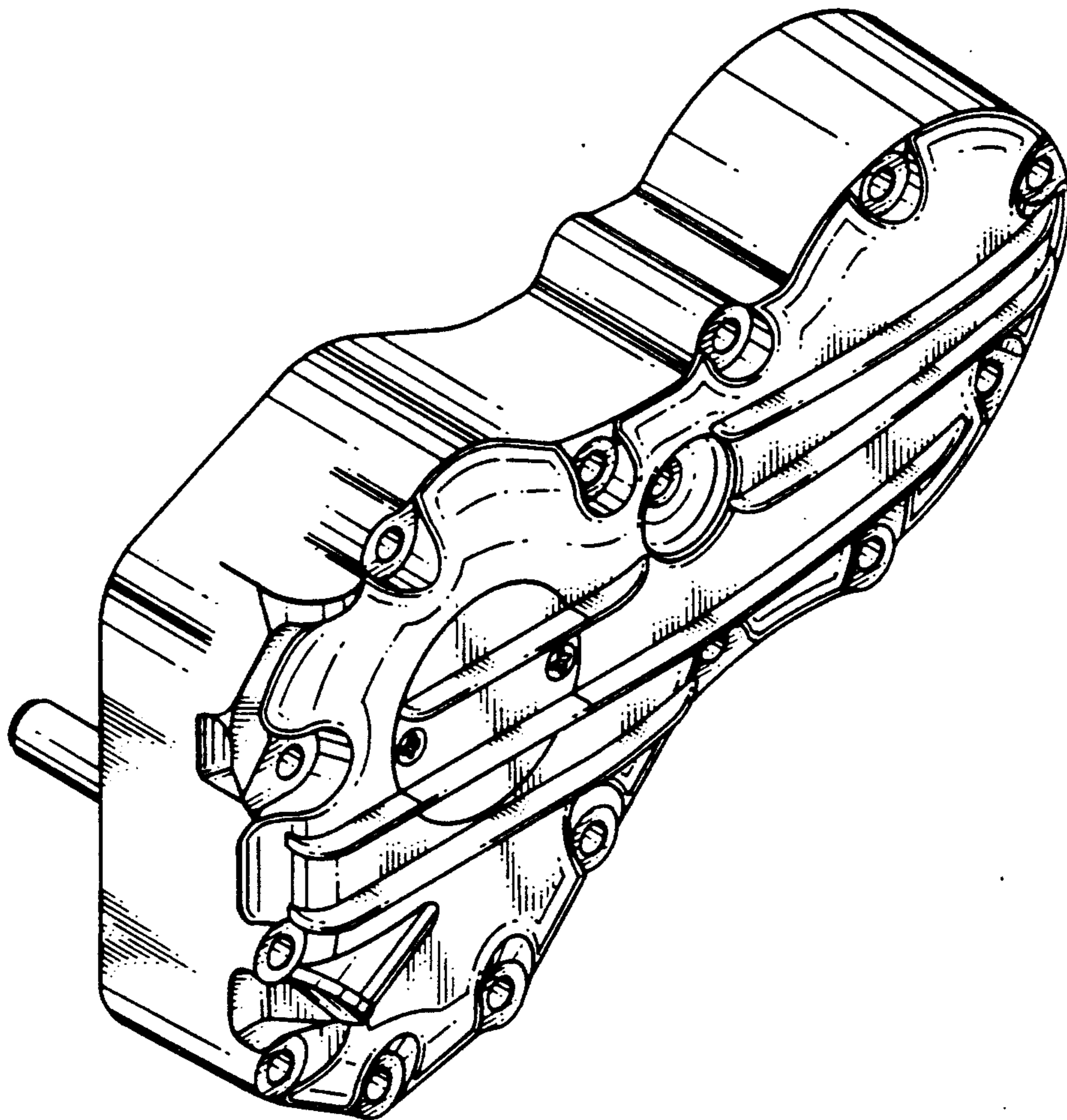
### [56] References Cited

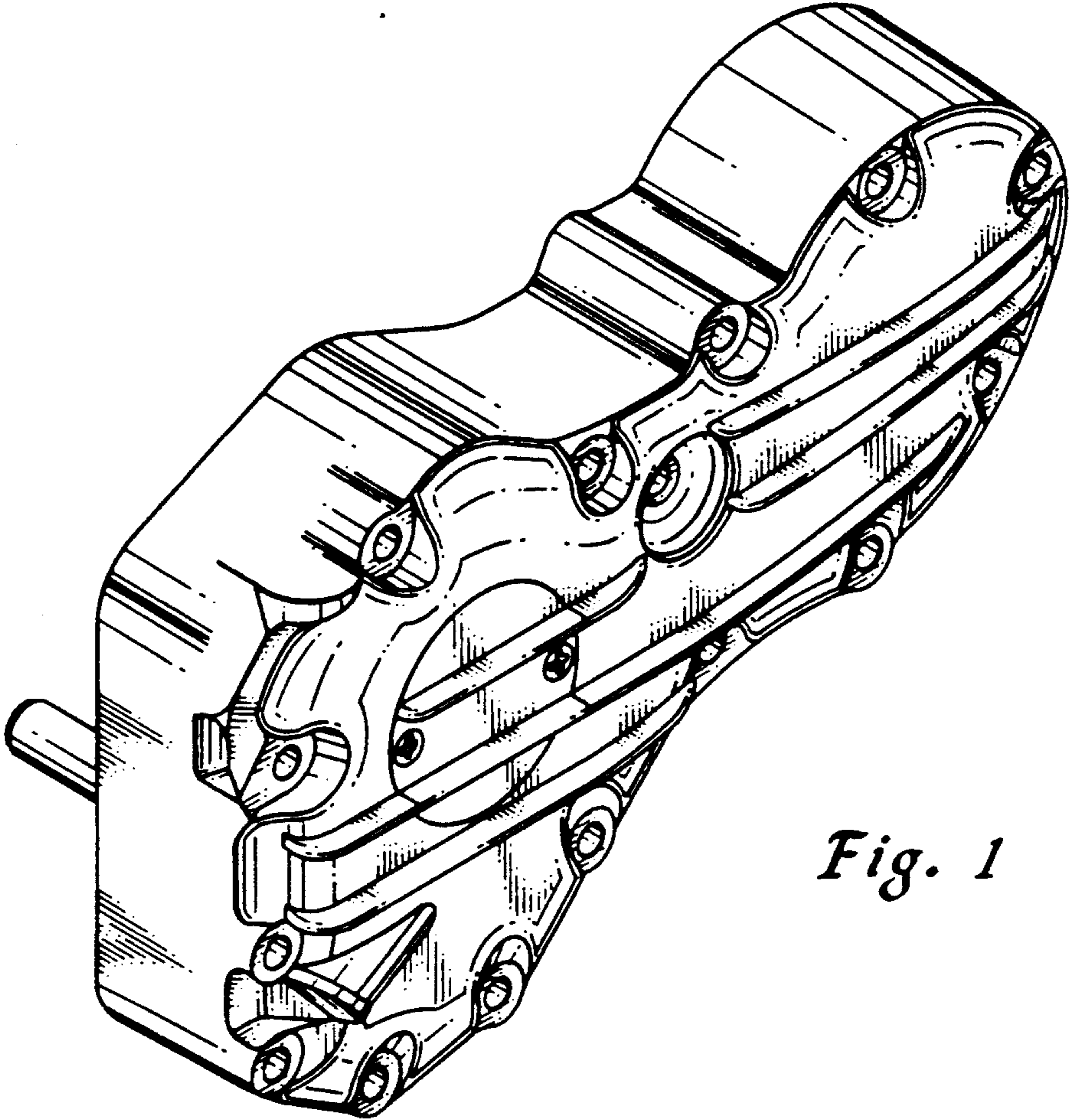
#### U.S. PATENT DOCUMENTS

- D. 259,872 7/1981 Ramsey ..... D12/126
- D. 291,188 4/1987 Stahel ..... D12/126
- D. 291,189 4/1987 Stahel ..... D12/126

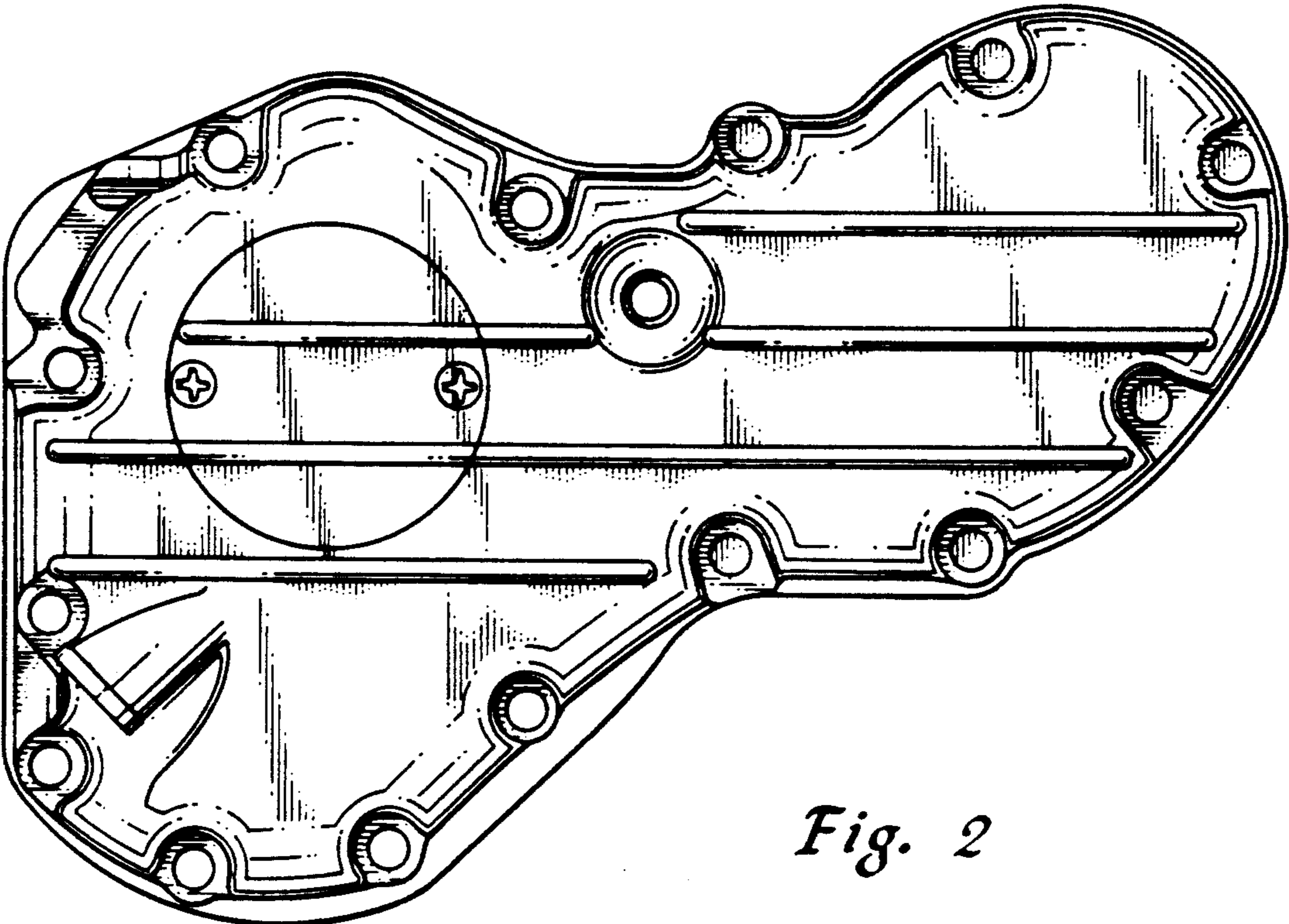
#### OTHER PUBLICATIONS

Drag Speculaties Catalog, 1987, p. 270 The Tool box No. 373655.



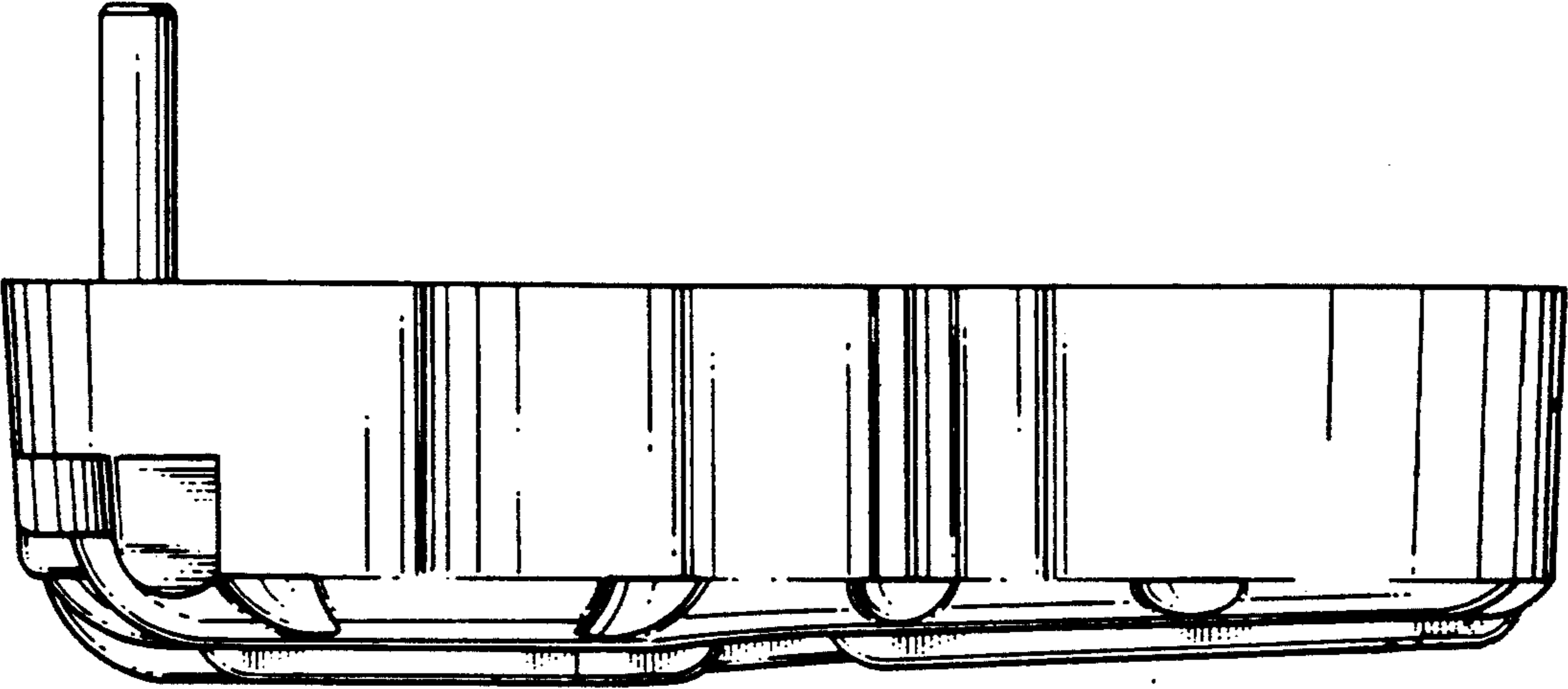


*Fig. 1*

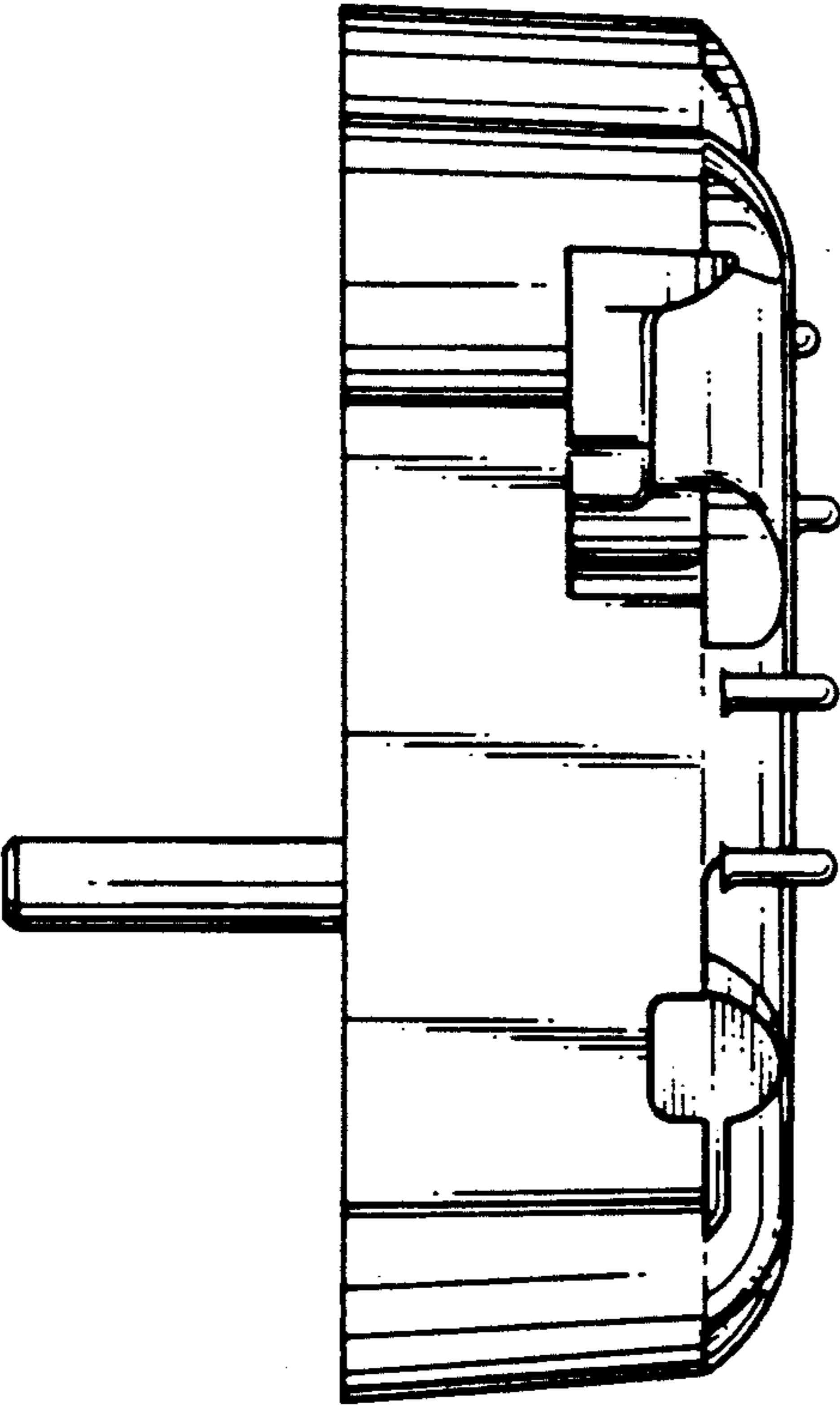


*Fig. 2*

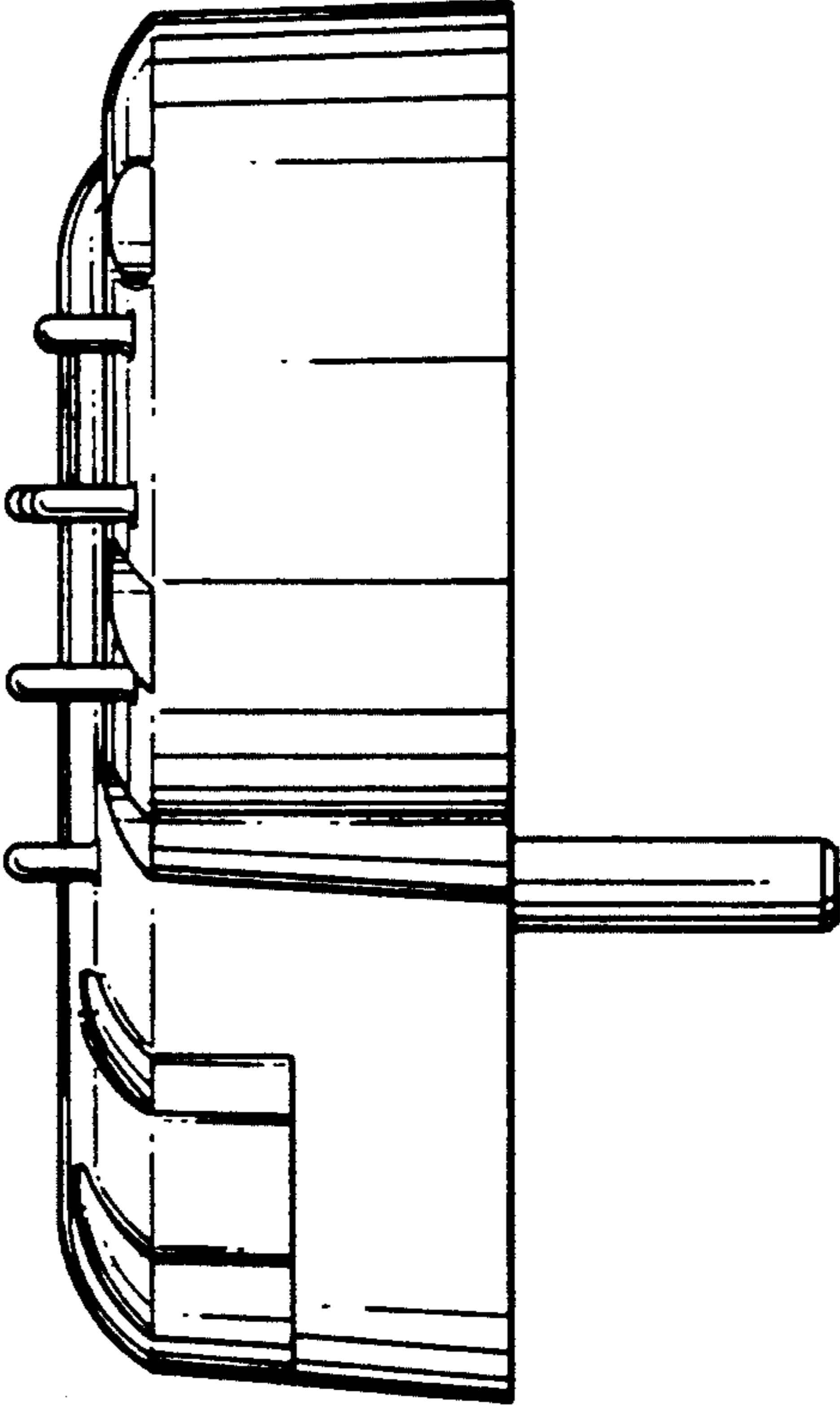




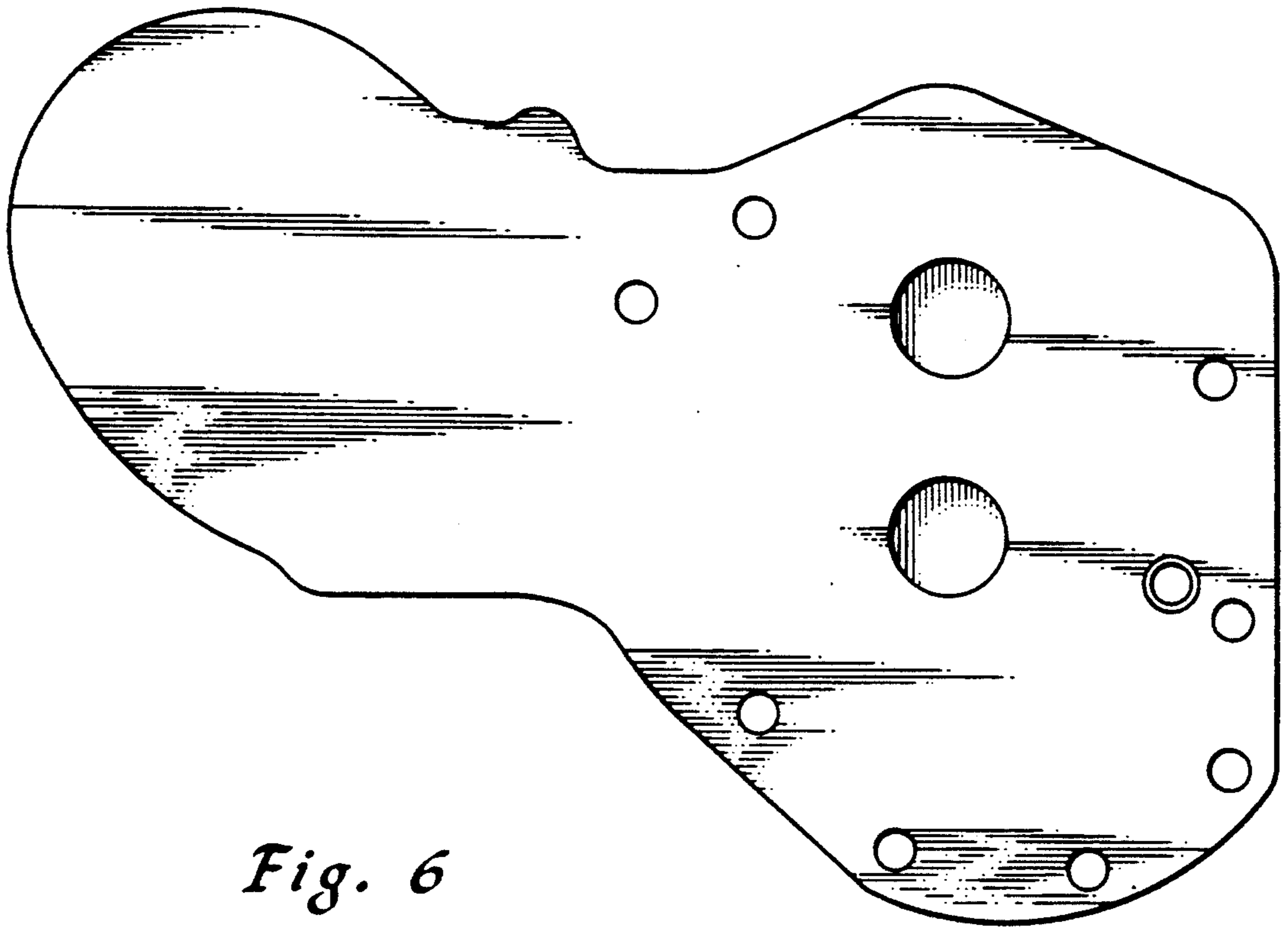
*Fig. 3*



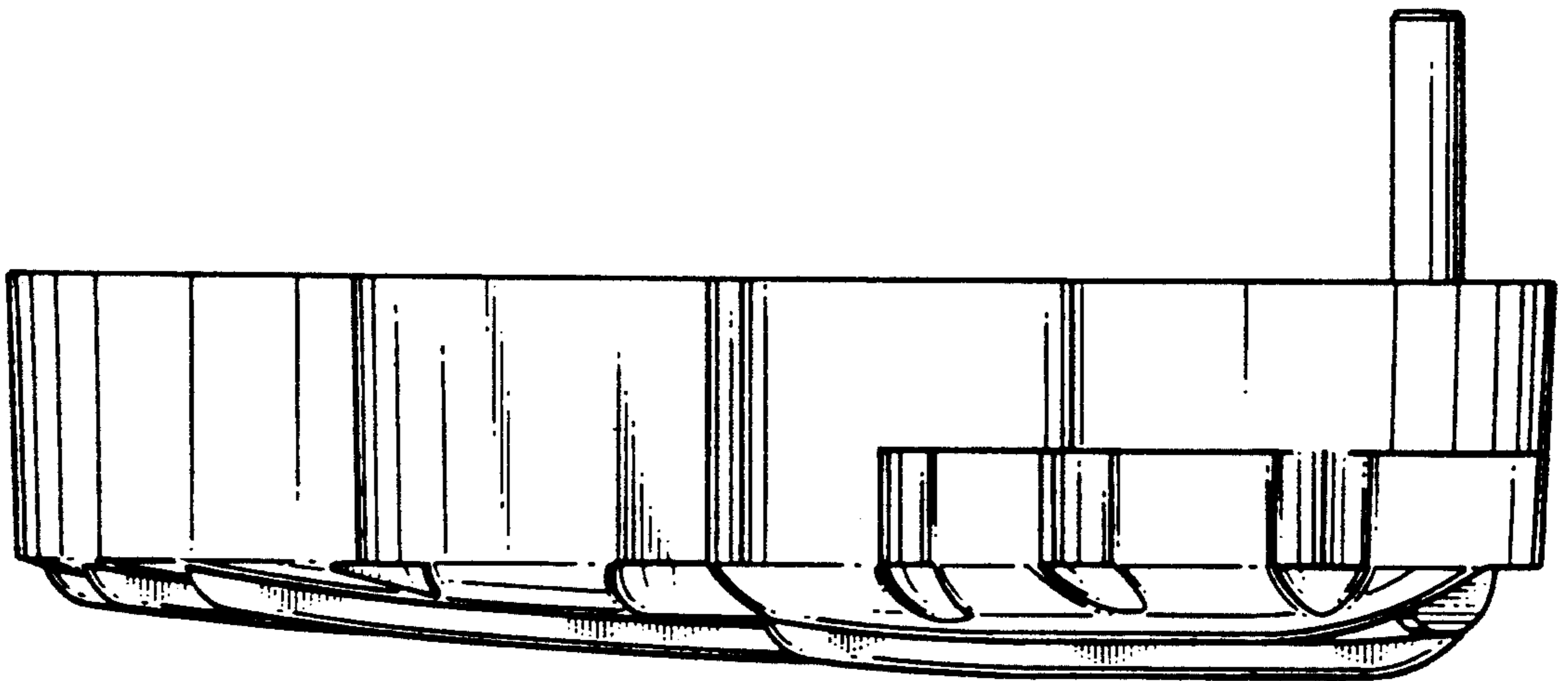
*Fig. 4*



*Fig. 5*



*Fig. 6*



*Fig. 7*