



US00D349070S

# United States Patent [19]

[11] Patent Number: **Des. 349,070**

Altman

[45] Date of Patent: **\*\* Jul. 26, 1994**

## [54] WARNING REFLECTOR FOR A DISABLED VEHICLE

[76] Inventor: **Wilbur E. Altman**, 2208 Knickerbocker Dr., Charlotte, N.C. 28212

[\*\*] Term: **14 Years**

[21] Appl. No.: **7,051**

[22] Filed: **Apr. 7, 1993**

[52] U.S. Cl. .... **D10/111**

[58] Field of Search ..... 359/521, 522, 523, 524, 359/525, 545, 546, 547, 548, 549, 550; D10/104, 109, 111, 121; D12/106

### [56] References Cited

#### U.S. PATENT DOCUMENTS

D. 120,549	5/1940	Haggart, Jr. ....	D10/111
D. 227,174	6/1973	Adams .....	D10/111
D. 246,444	11/1977	Kitrell .....	D10/111
D. 329,394	9/1992	Parsons et al. ....	D10/111

*Primary Examiner*—Wallace R. Burke

*Assistant Examiner*—Marcus Jackson

*Attorney, Agent, or Firm*—Ralph H. Dougherty

### [57] CLAIM

The ornamental design for a warning reflector for a disabled vehicle, as shown and described.

### DESCRIPTION

FIG. 1 is a reduced perspective view of a warning reflector for disabled vehicles showing my design, with

the broken line showing for illustrative purposes only and forming no part of the claimed design;

FIG. 2 is a top view;

FIG. 3 is left side view of FIG. 2;

FIG. 4 is a front view FIG. 2, the rear view being a mirror image;

FIG. 5 is a right side view of FIG. 2;

FIG. 6 is a bottom view of FIG. 2;

FIG. 7 is an exploded front view of FIGS. 2 through 6;

FIG. 8 is a cross sectional view taken along line 8—8 of FIG. 4;

FIG. 9 is a top view of an alternative embodiment;

FIG. 10 is left side view of the alternative embodiment of FIG. 9;

FIG. 11 is a front view of the alternative embodiment of FIG. 9, having oval shaped convex mirrors, the rear view being a mirror image;

FIG. 12 is a right side view of the alternative embodiment of FIG. 9;

FIG. 13 is a bottom view of the alternative embodiment of FIG. 9;

FIG. 14 is a left side view of the arm holder of the alternative embodiment of FIG. 11;

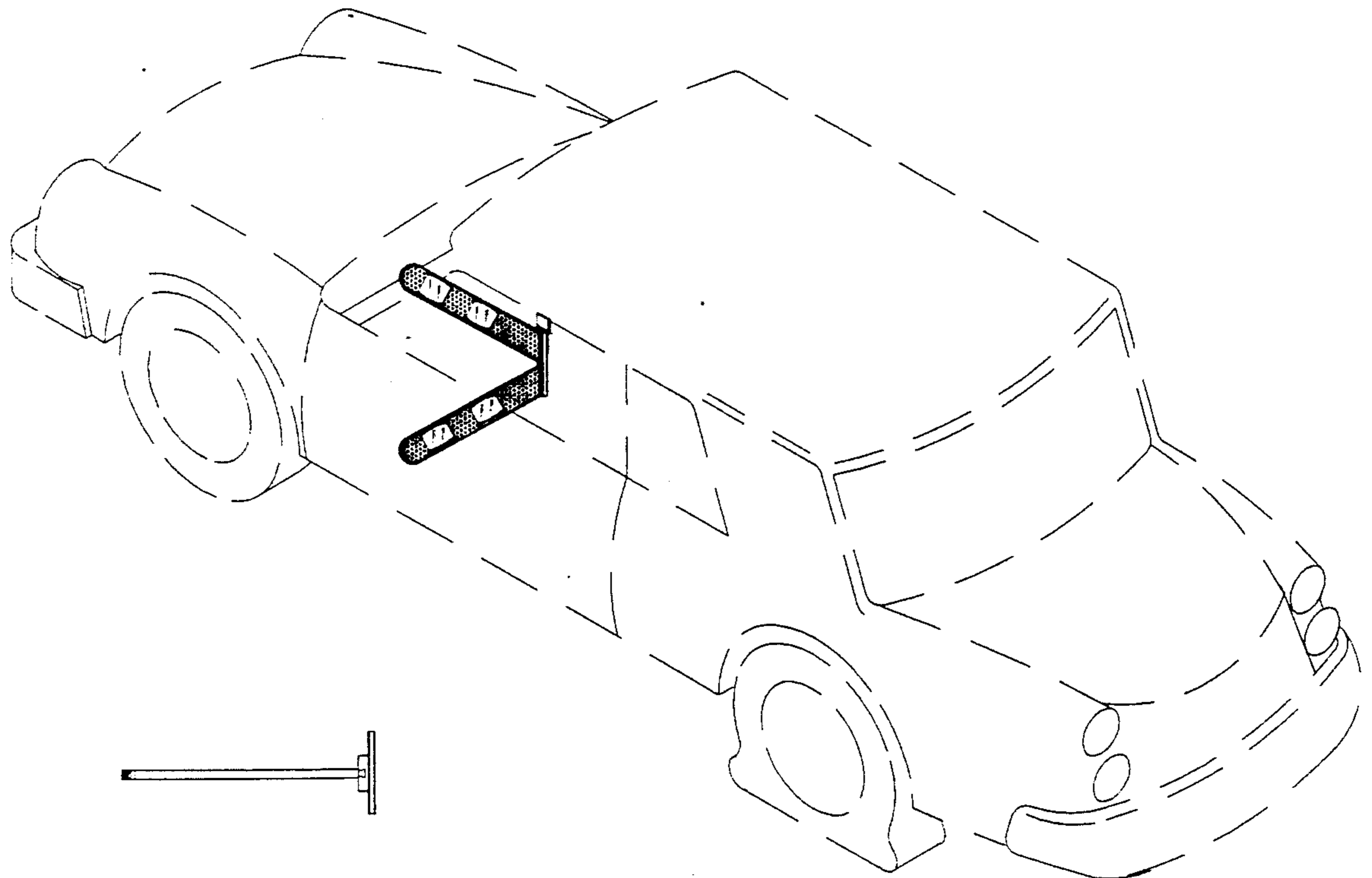
FIG. 15 is a top view of an alternative embodiment;

FIG. 16 is left side view of the alternative embodiment of FIG. 15;

FIG. 17 is a front view of the alternative embodiment of FIG. 15, having rectangular shaped convex mirrors, the rear view being a mirror image;

FIG. 18 is a right side view of the alternative embodiment of FIG. 15; and,

FIG. 19 is a bottom view of the alternative embodiment of FIG. 15.



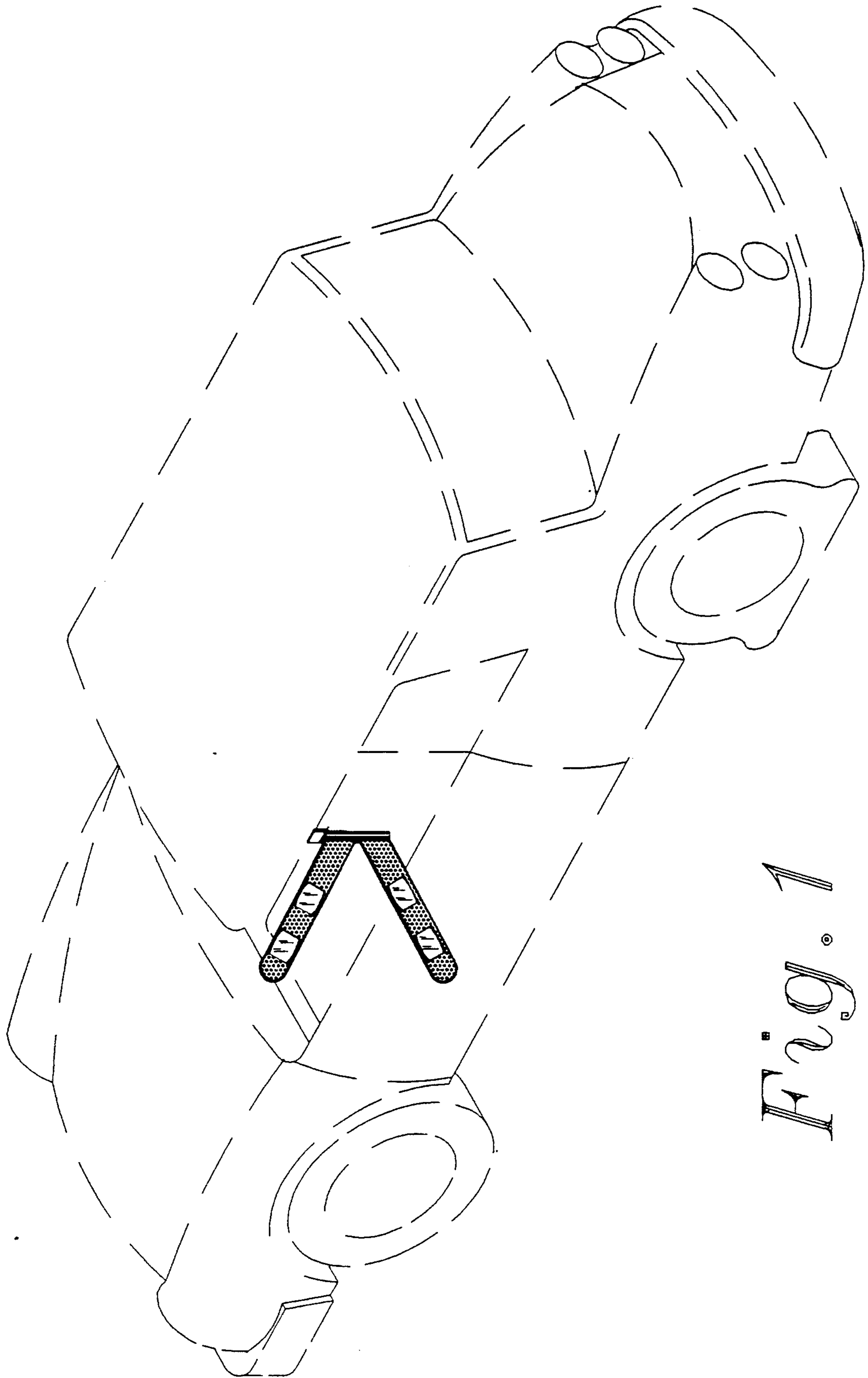
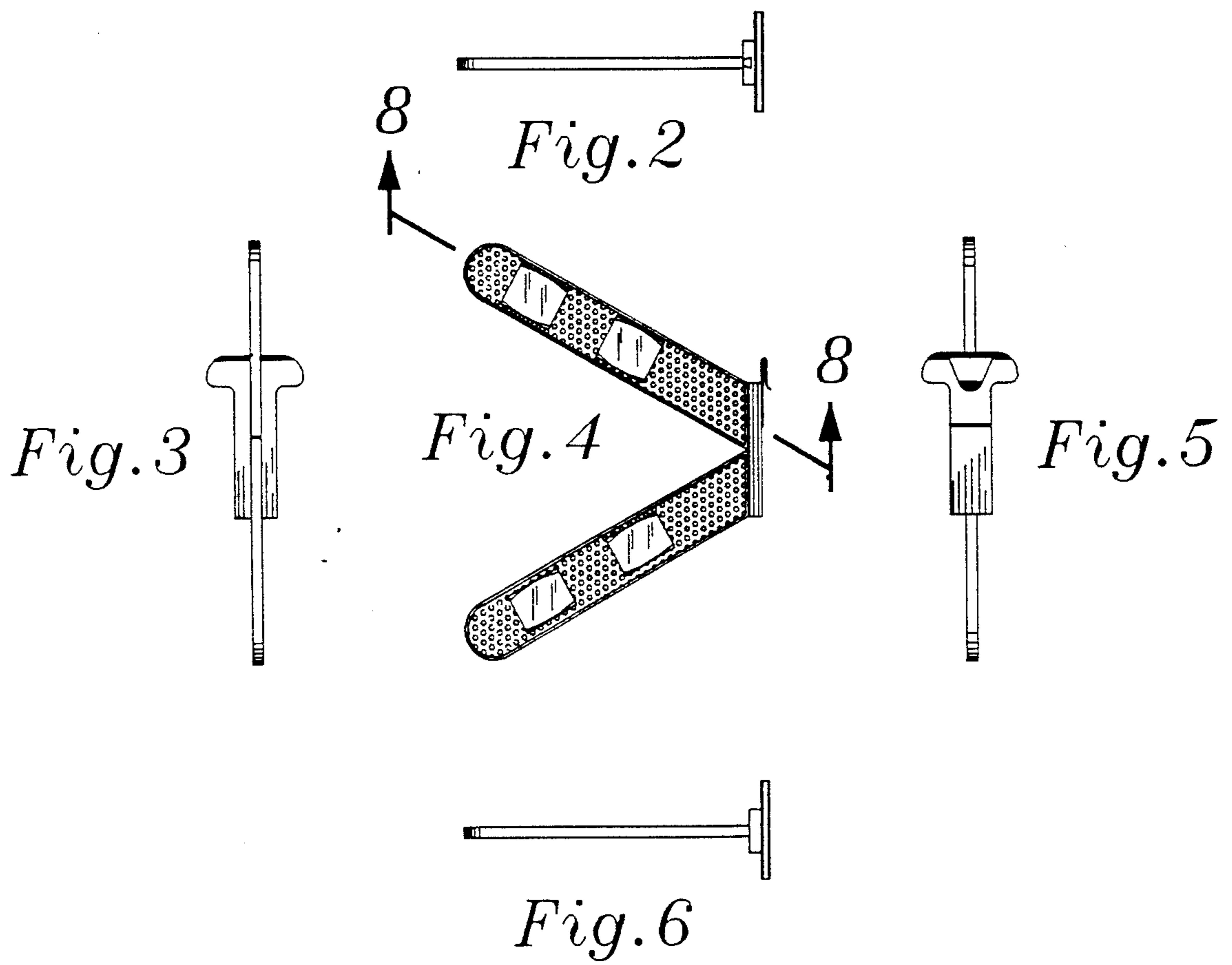
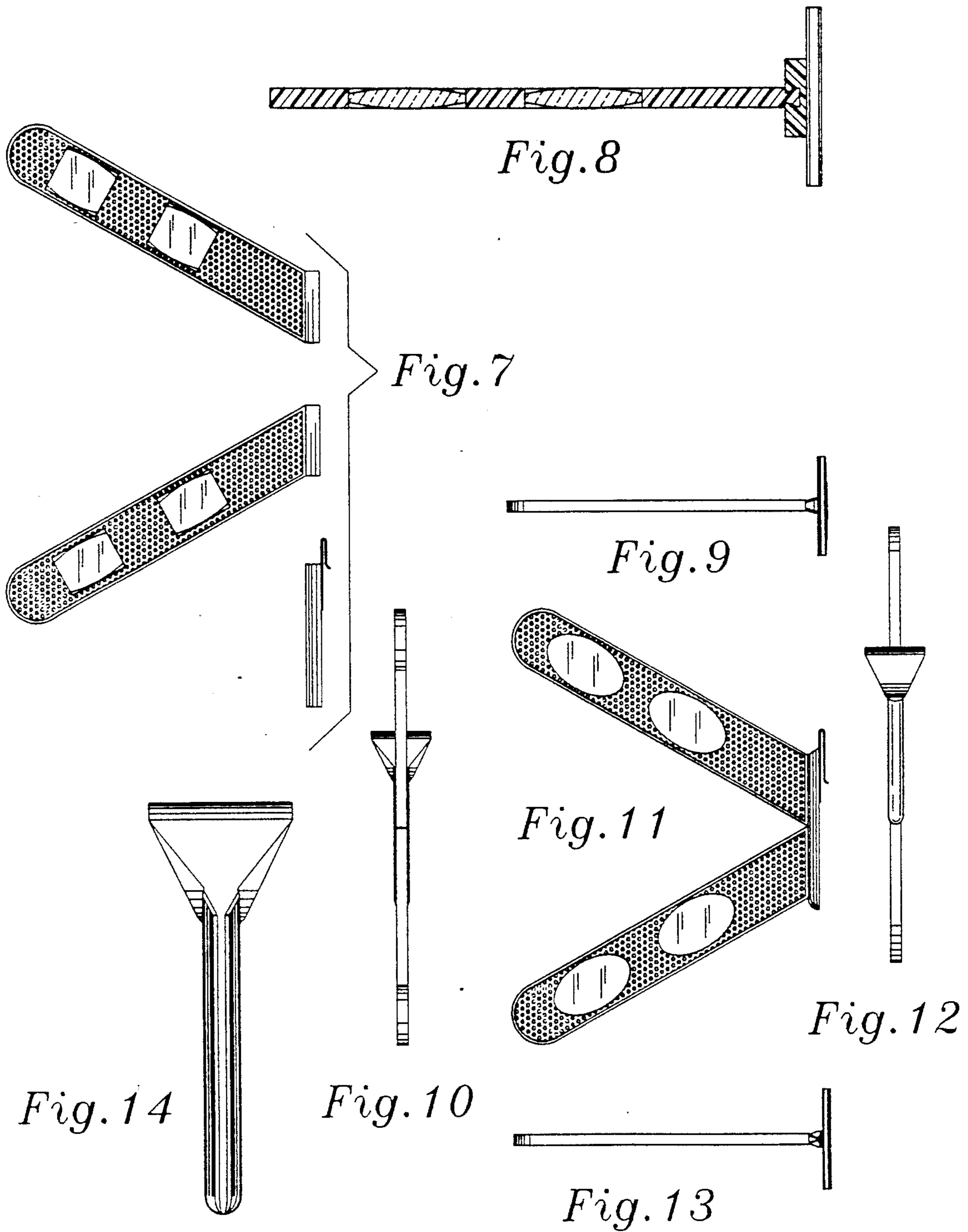
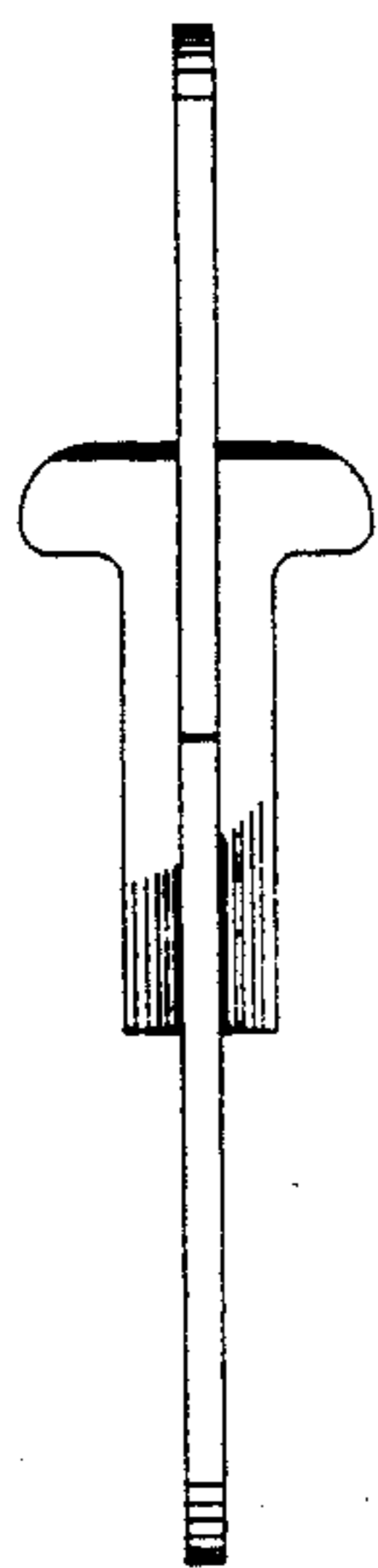
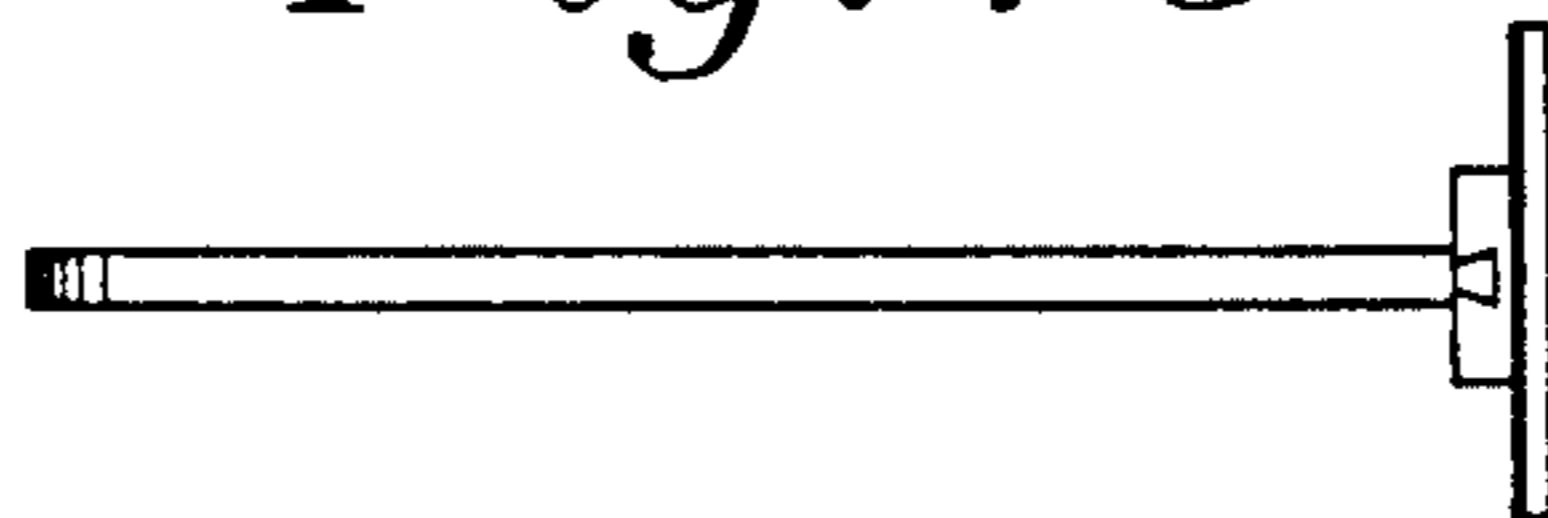


Fig. 1



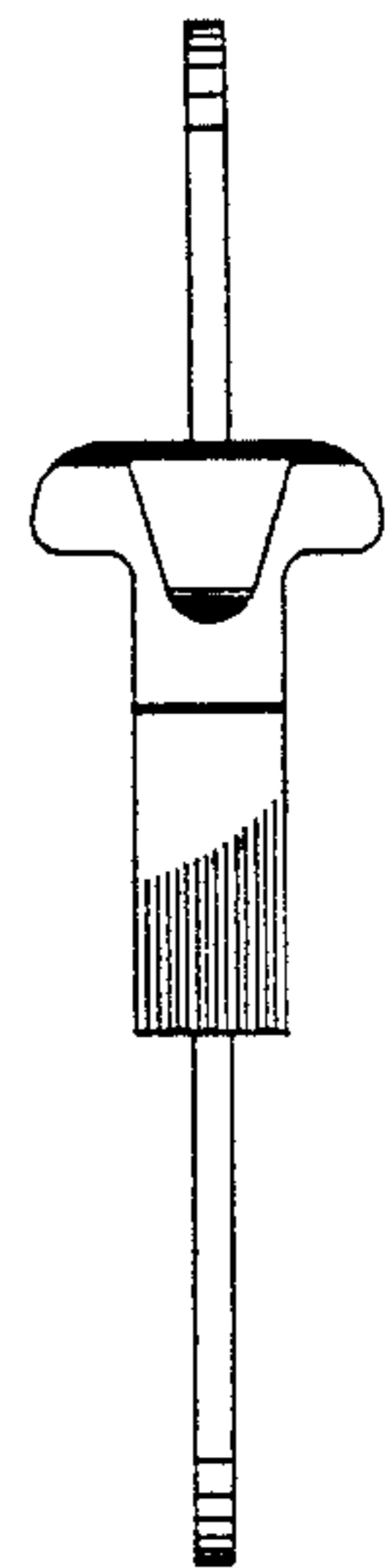
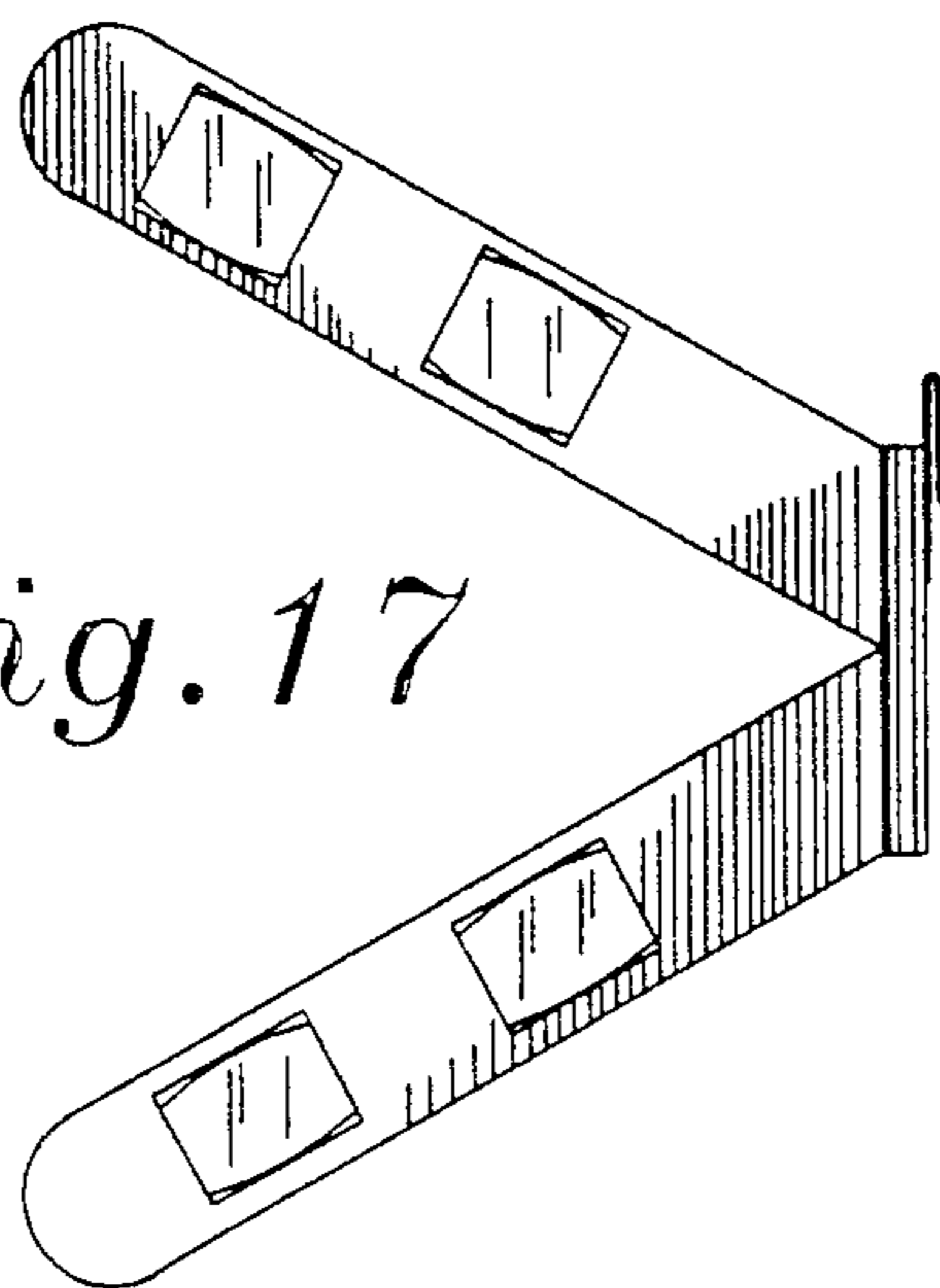


*Fig. 15*

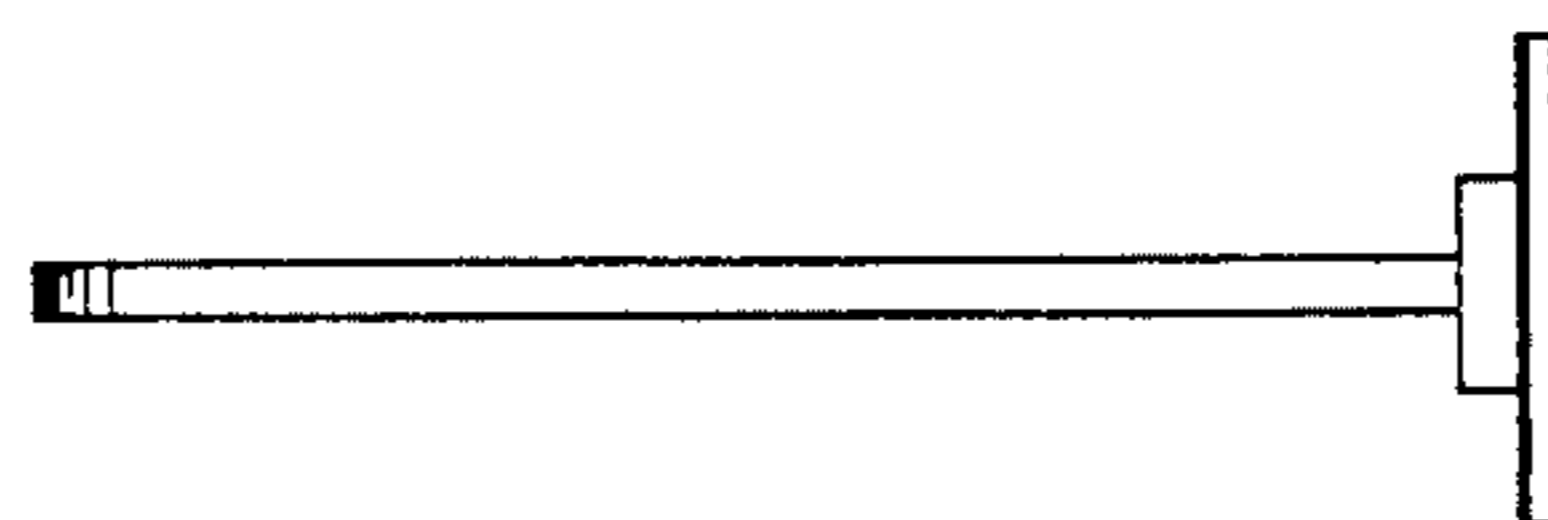


*Fig. 16*

*Fig. 17*



*Fig. 18*



*Fig. 19*