



US00D349067S

United States Patent [19]

[11] Patent Number: **Des. 349,067**

Li

[45] Date of Patent: **** Jul. 26, 1994**

[54] **INTERNAL CALIPER**

5,063,687 11/1991 Olshefsky 33/827

[76] Inventor: **Kam K. Li**, 3387 Hunter Dr., North Olmsted, Ohio 44070-1264

Primary Examiner—Alan P. Douglas
Assistant Examiner—Antoine D. Davis
Attorney, Agent, or Firm—D. Peter Hochberg; Mark Kusner; Michael Jaffe

[**] Term: **14 Years**

[21] Appl. No.: **5,968**

[57] **CLAIM**

The ornamental design for an internal caliper, as shown and described.

[22] Filed: **Mar. 19, 1993**

[52] U.S. Cl. **D10/79**

[58] Field of Search 33/783-813,
33/827; D10/78, 79

DESCRIPTION

FIG. 1 is a perspective view of an internal caliper showing my new design;
FIG. 2 is an elevational view taken from one end thereof;
FIG. 3 is an elevational view taken from the other end thereof;
FIG. 4 is a top plan view thereof;
FIG. 5 is a front elevational view thereof;
FIG. 6 is a bottom plan view thereof; and,
FIG. 7 is a rear elevational view thereof.
The broken line showing of probes and a gauge is for illustrative purposes only and forms no part of the claimed design.

[56] **References Cited**

U.S. PATENT DOCUMENTS

D. 315,522	3/1991	Arnoux et al.	D10/79
1,317,708	10/1919	Kaplan .	
1,384,710	7/1921	Morell .	
2,357,689	9/1944	Rondinone .	
2,785,471	3/1957	Aldeborgh et al. .	
3,507,046	4/1970	Smith et al. .	
3,537,184	11/1970	Hearn .	
3,922,792	12/1975	Ito .	
4,885,845	12/1989	Yamamoto et al.	33/827 X

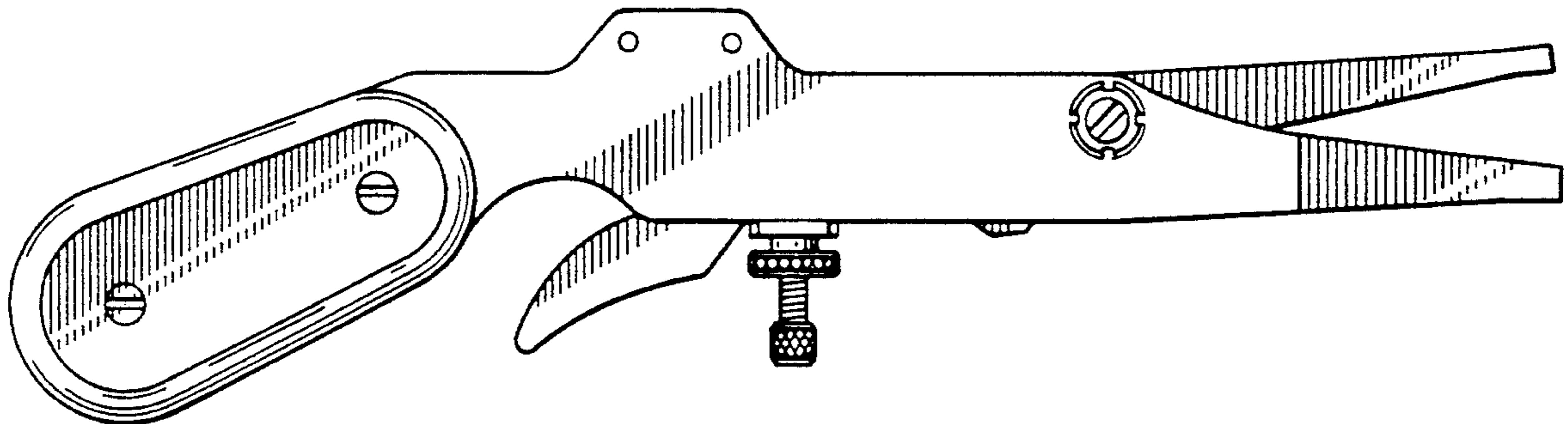


FIG. 1

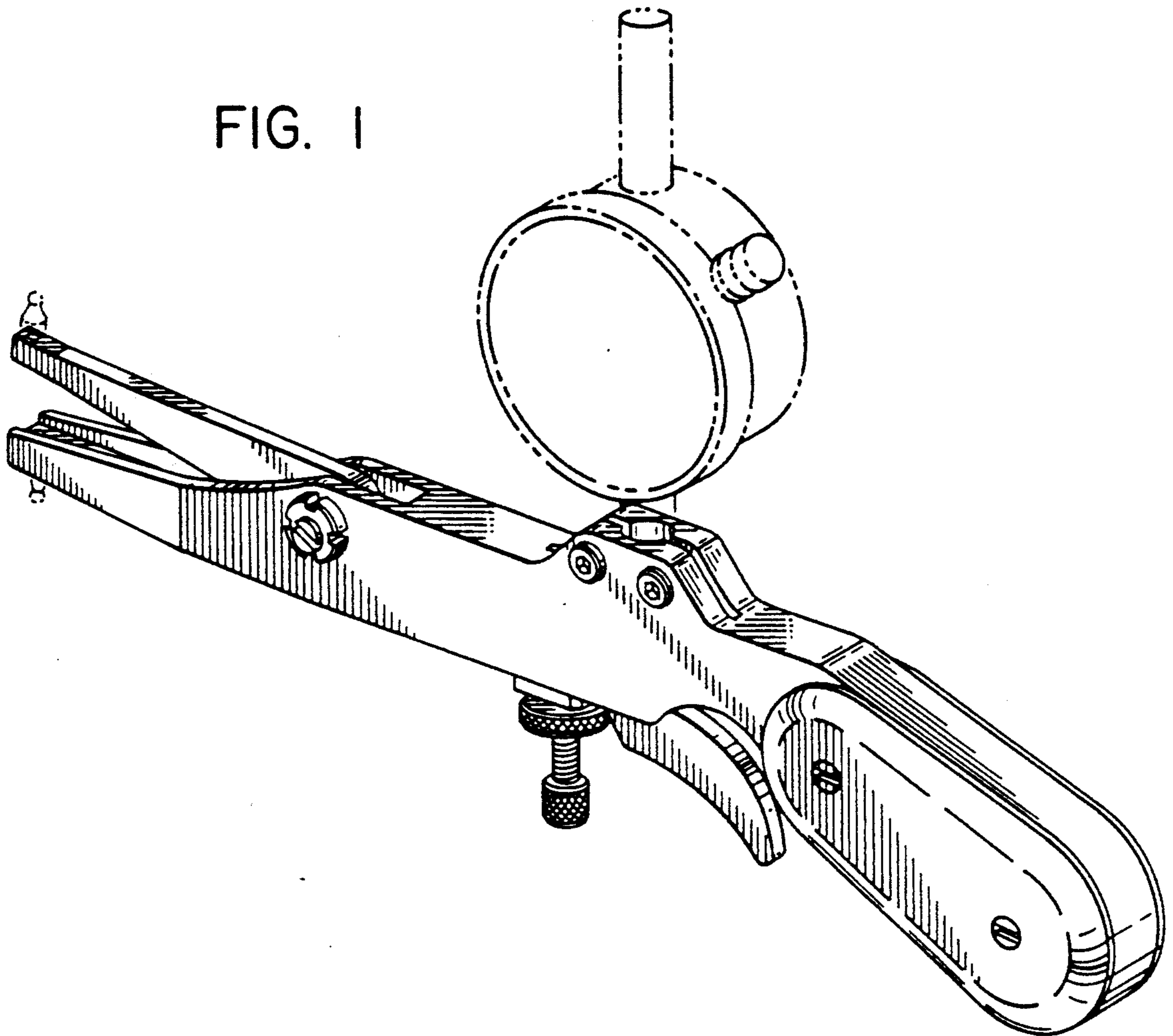


FIG. 2

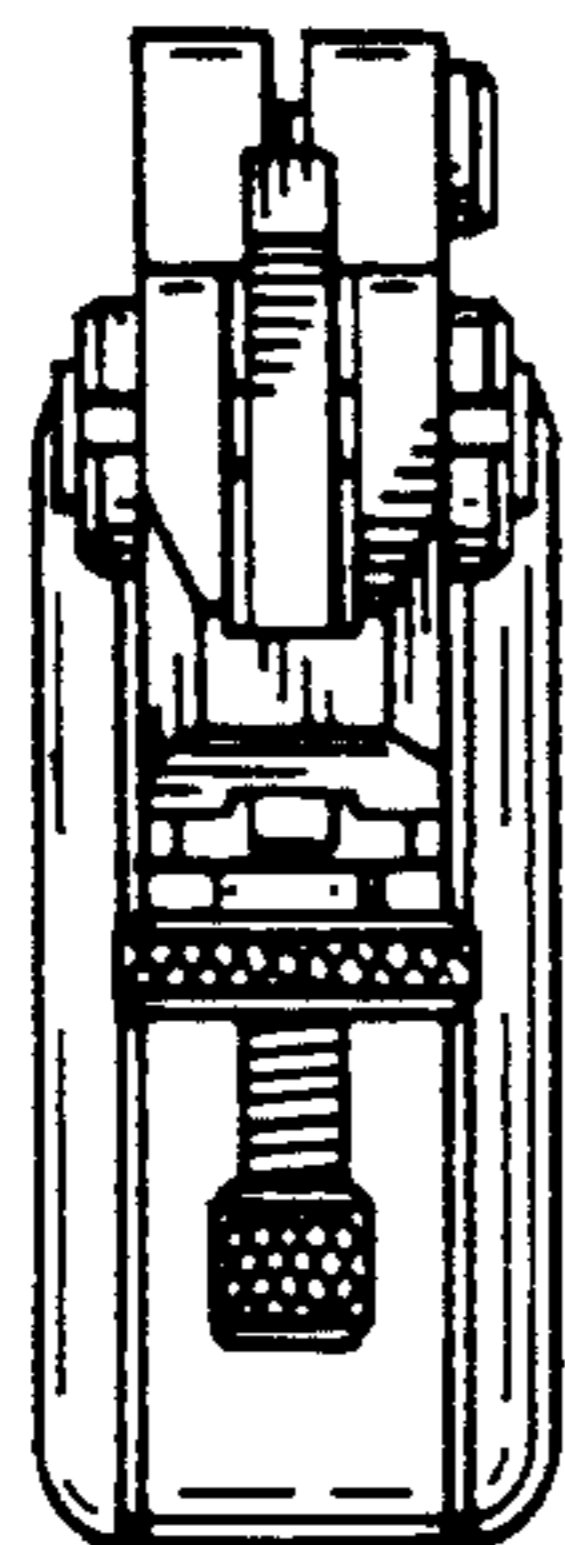


FIG. 3

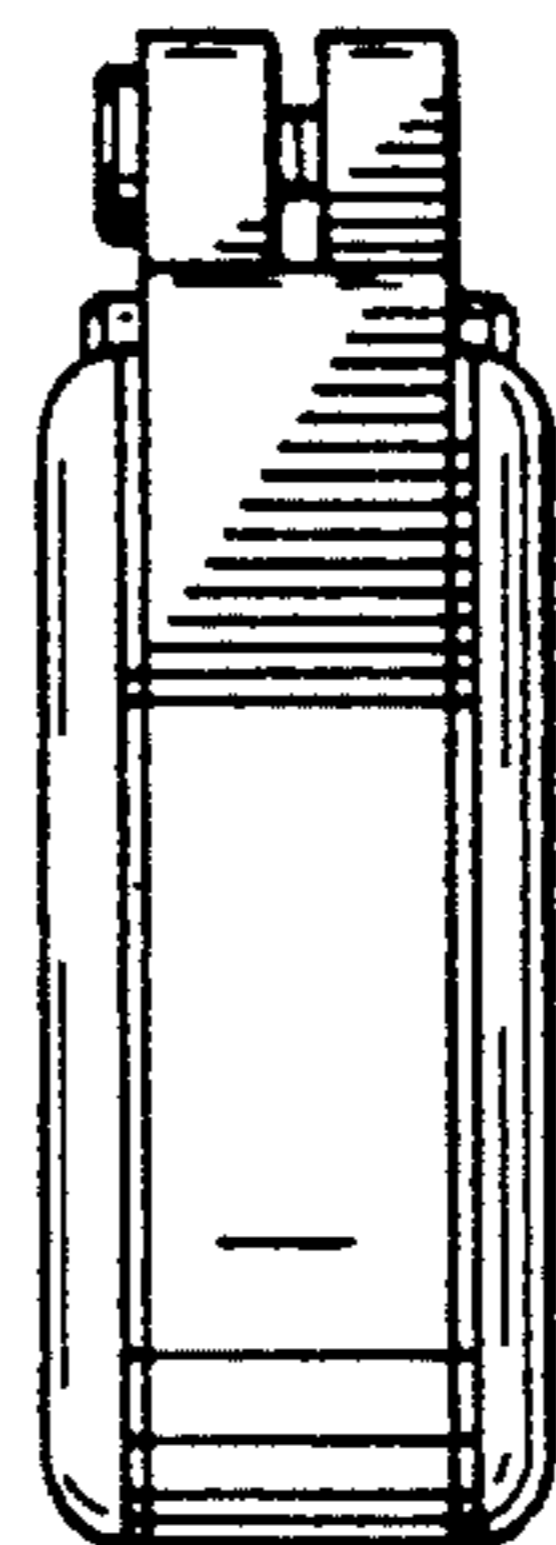


FIG. 4

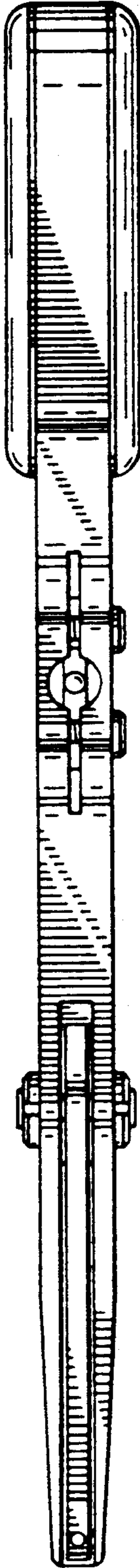


FIG. 5

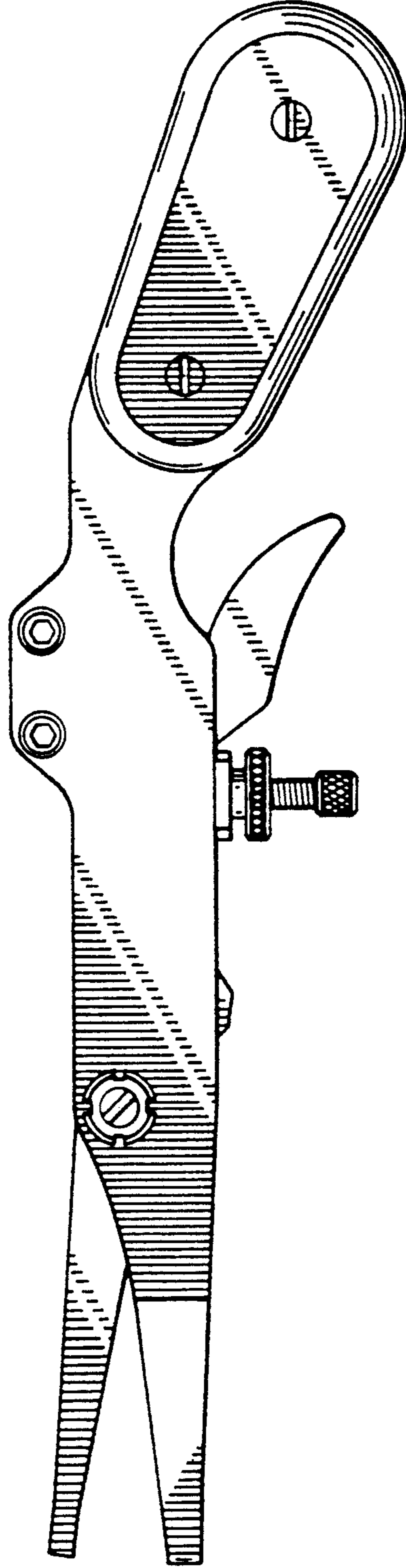
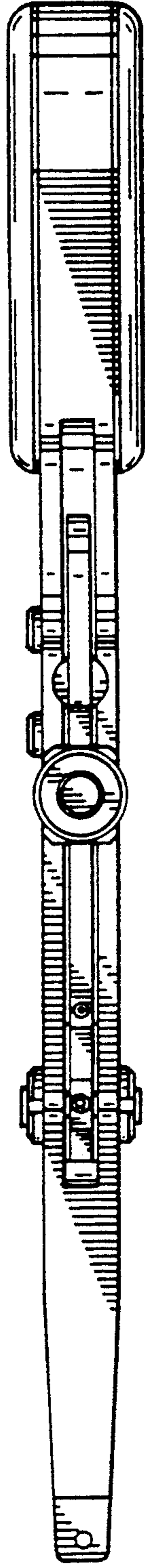


FIG. 6



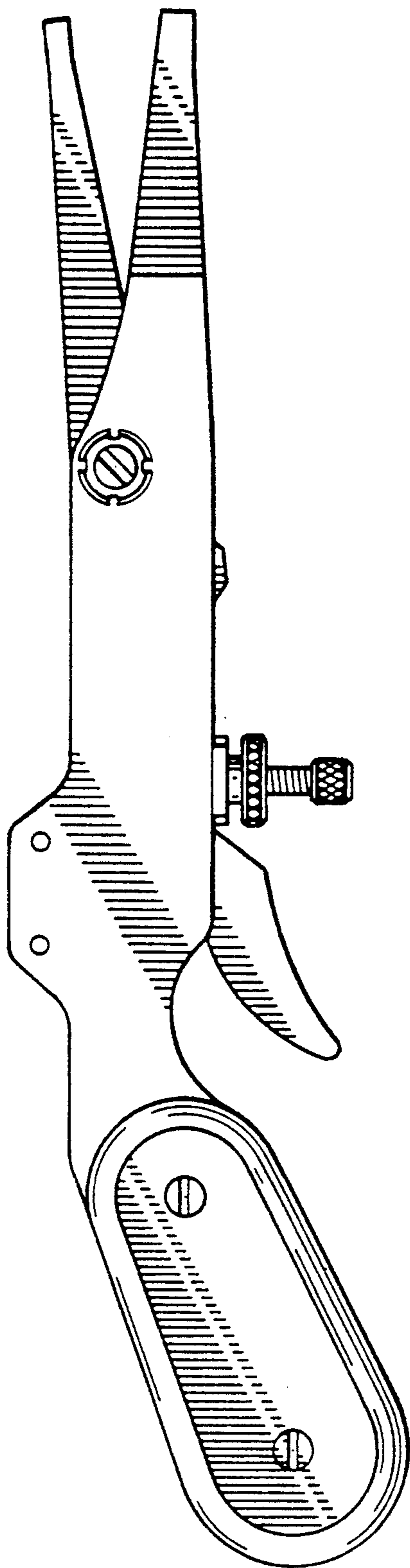


FIG. 7