



US00D349066S

# United States Patent [19] Su

[11] Patent Number: **Des. 349,066**

[45] Date of Patent: **\*\* Jul. 26, 1994**

[54] **COMPASS**

4,899,453 2/1990 Bhat et al. .... D10/68 X

[76] Inventor: **Song-Sen Su**, No. 25, An Ho Rd., Hsi Tun Area, Taichung City, Taiwan

*Primary Examiner*—Alan P. Douglas  
*Assistant Examiner*—Antoine D. Davis  
*Attorney, Agent, or Firm*—Bacon & Thomas

[\*\*] Term: **14 Years**

[57] **CLAIM**

[21] Appl. No.: **5,342**

The ornamental design for a compass, as shown and described.

[22] Filed: **Feb. 26, 1993**

[52] U.S. Cl. .... **D10/68**

**DESCRIPTION**

[58] **Field of Search** ..... 33/272, 273, 355 R, 33/356, 357, 358, 359, 360, 361, 362, 363 K, 363 L, 363 N, 363 Q, 363 Y, 364, 365; D10/68

FIG. 1 is a perspective view of a compass showing my new design;

FIG. 2 is a front elevational view thereof;

FIG. 3 is a rear elevational view thereof;

FIG. 4 is a top plan view thereof;

FIG. 5 is a bottom plan view thereof;

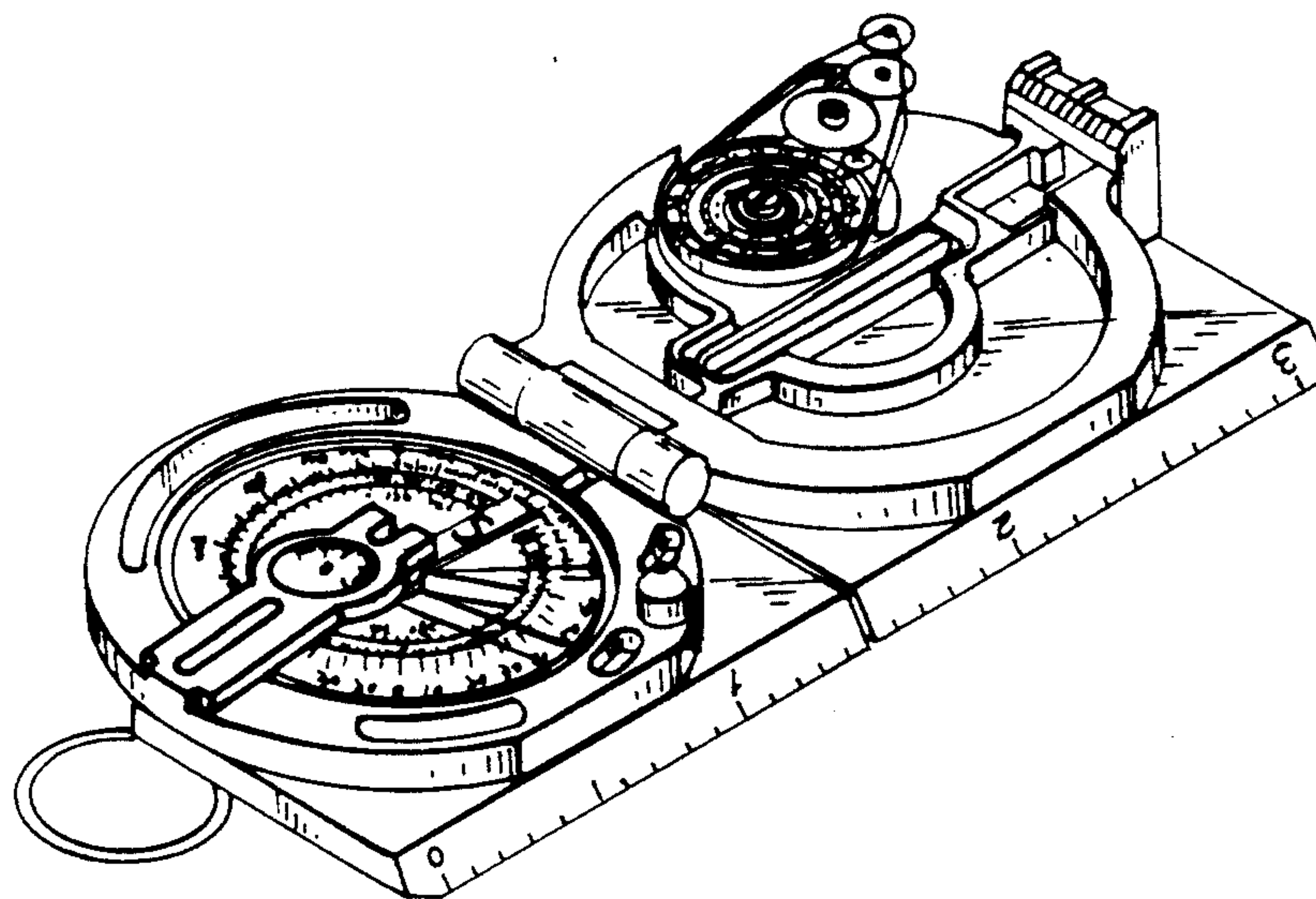
FIG. 6 is a left elevational view thereof; and,

FIG. 7 is a right elevational view thereof.

[56] **References Cited**

**U.S. PATENT DOCUMENTS**

D. 242,437 11/1976 Kramer ..... D10/68  
3,191,306 6/1965 De Valera Kierans ..... 33/273



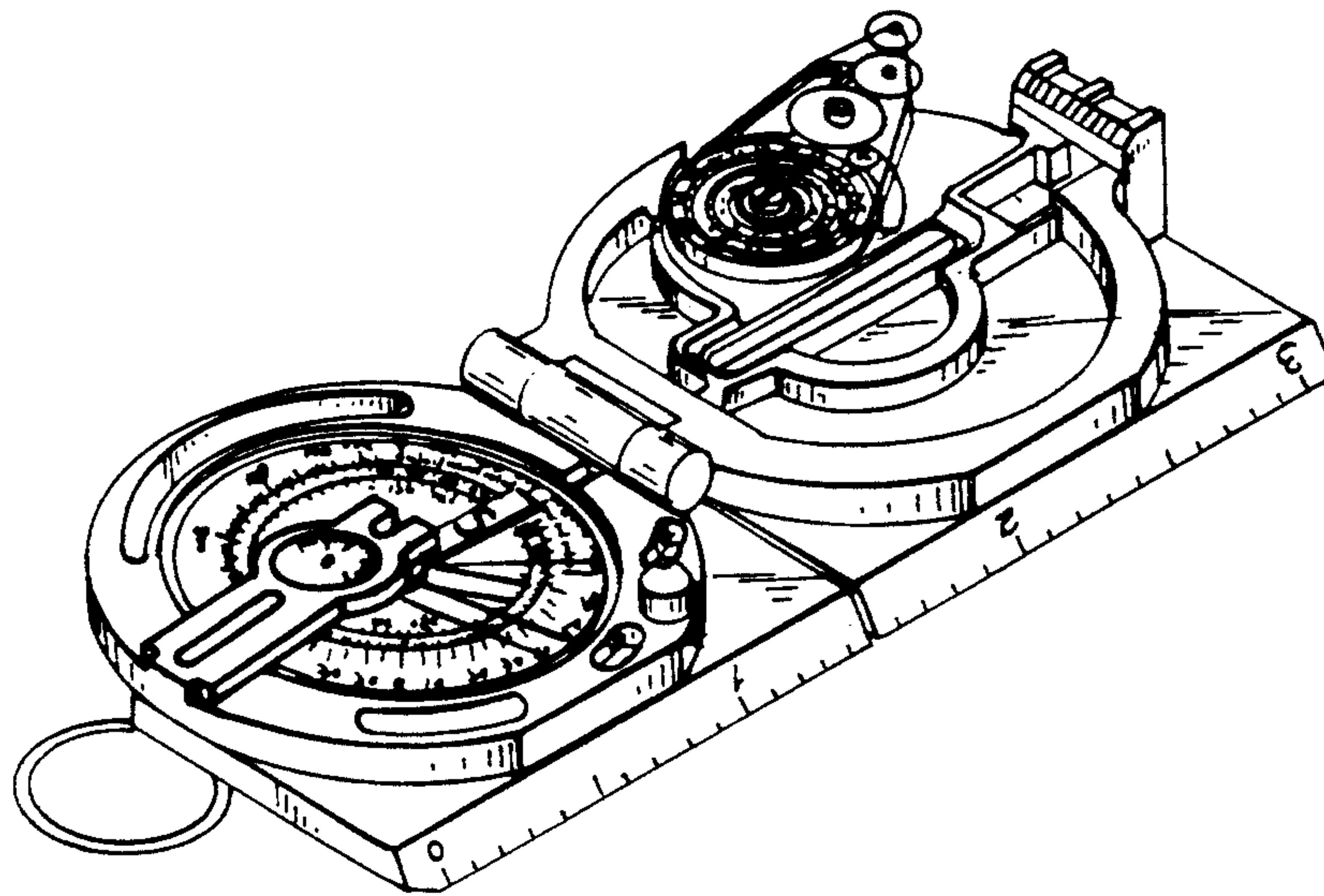


Fig. 1

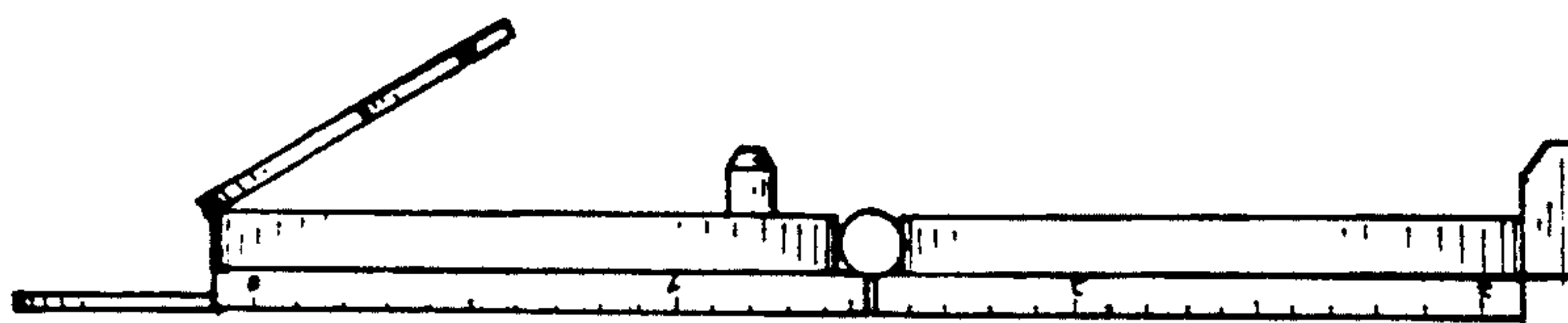


Fig. 2

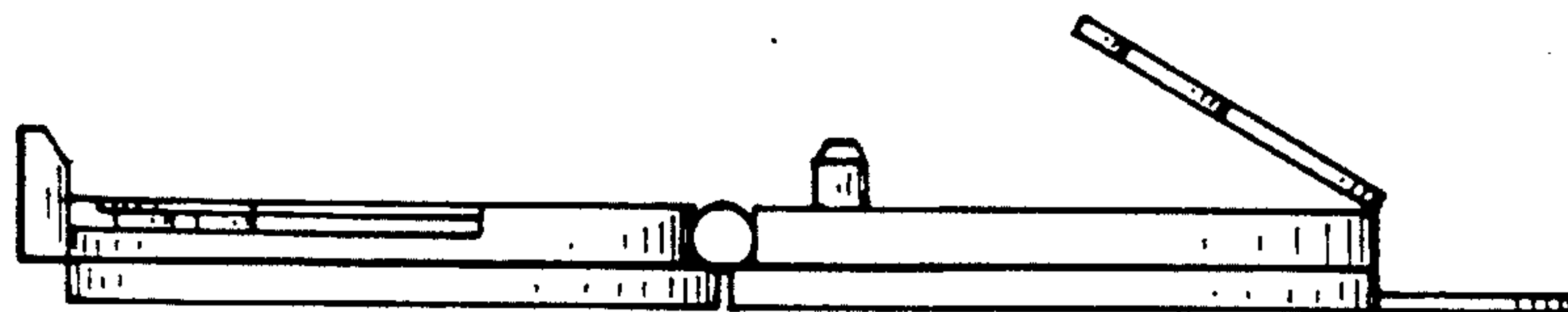


Fig. 3

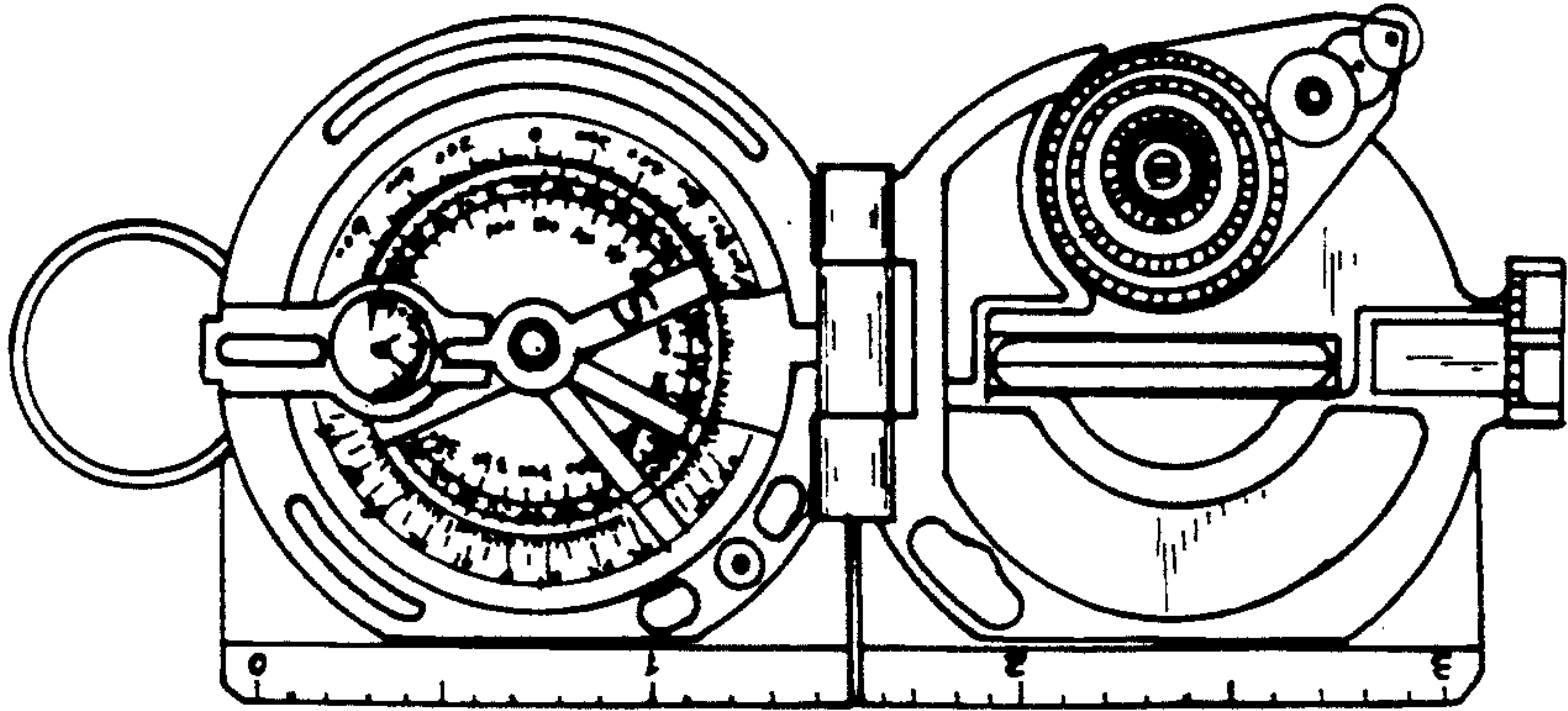


Fig. 4

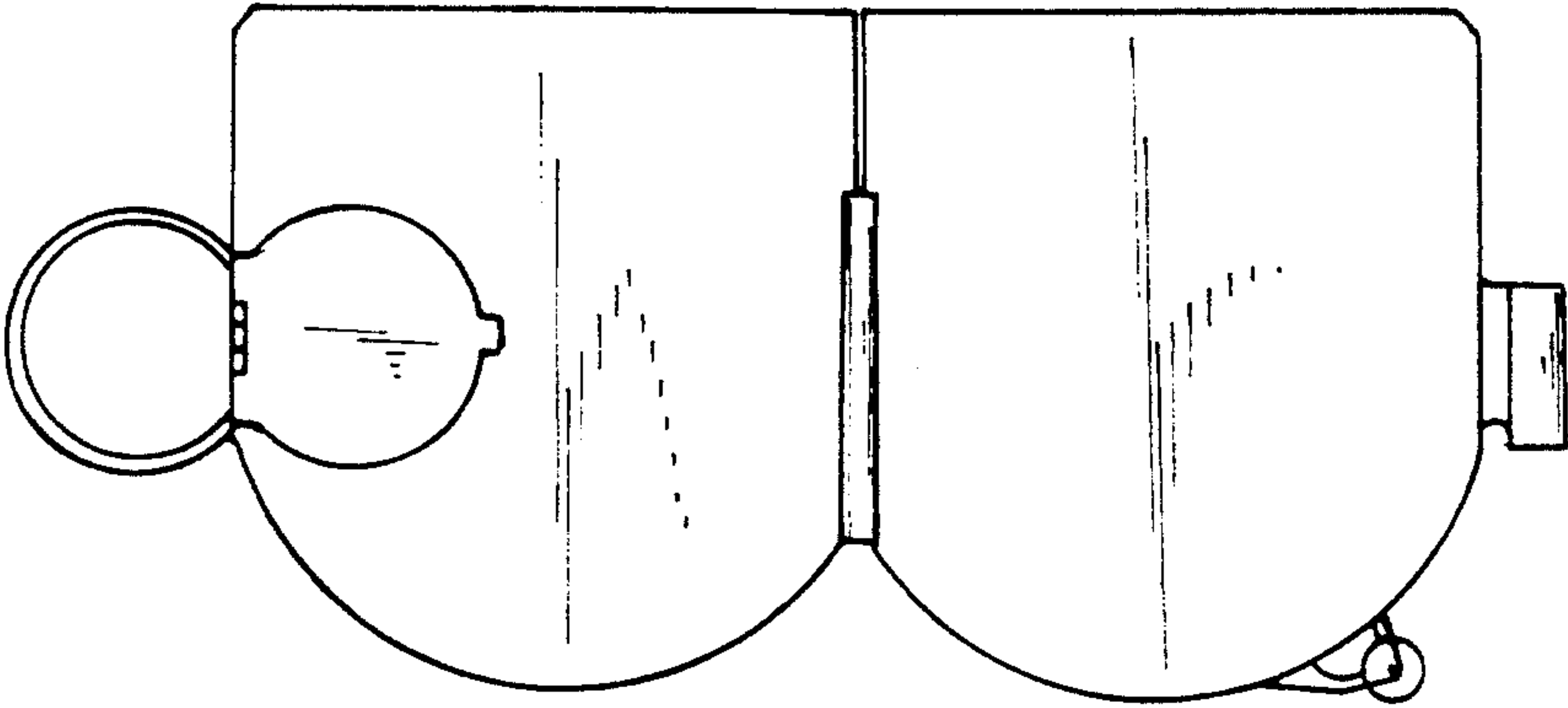


Fig. 5

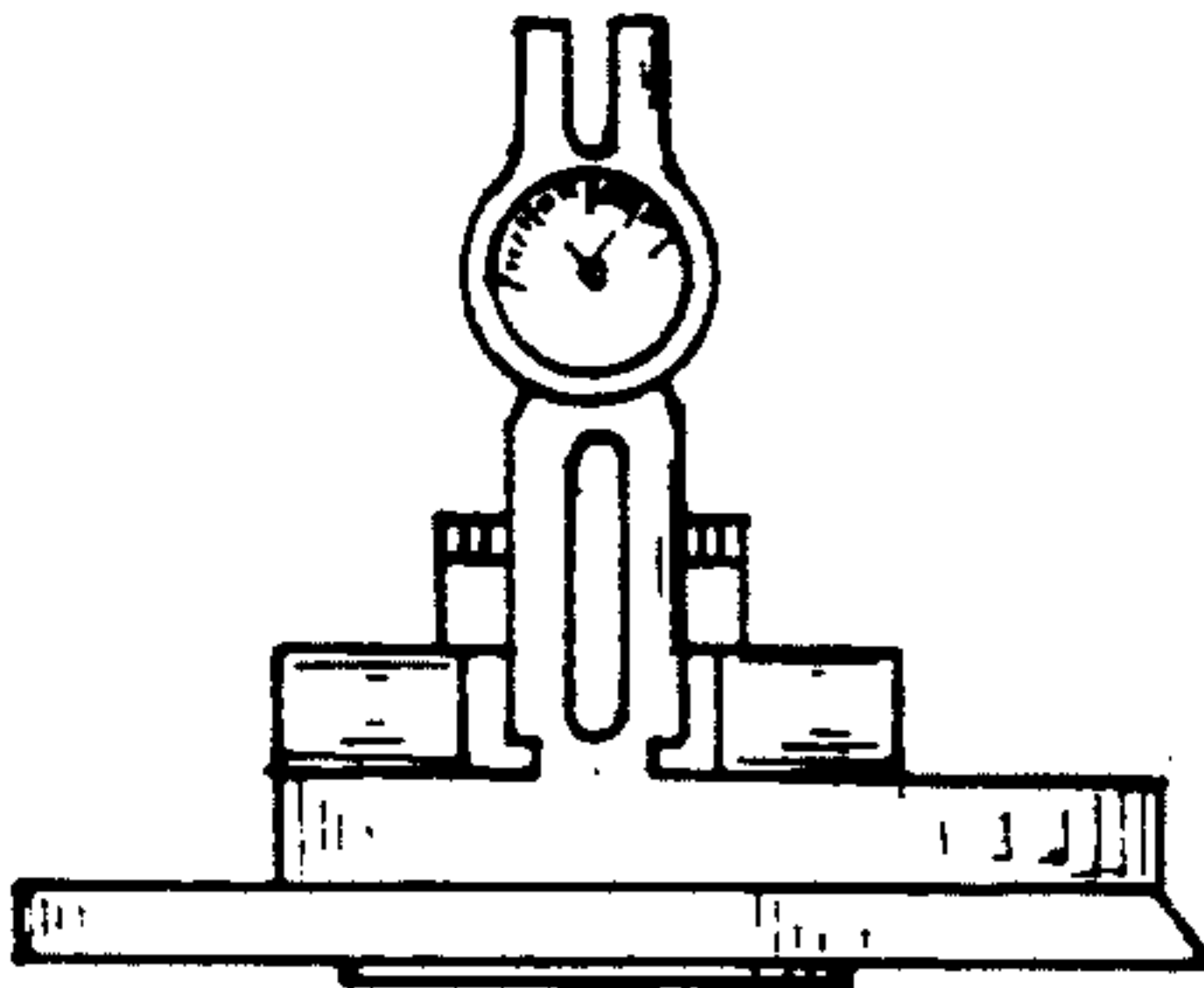


Fig. 6

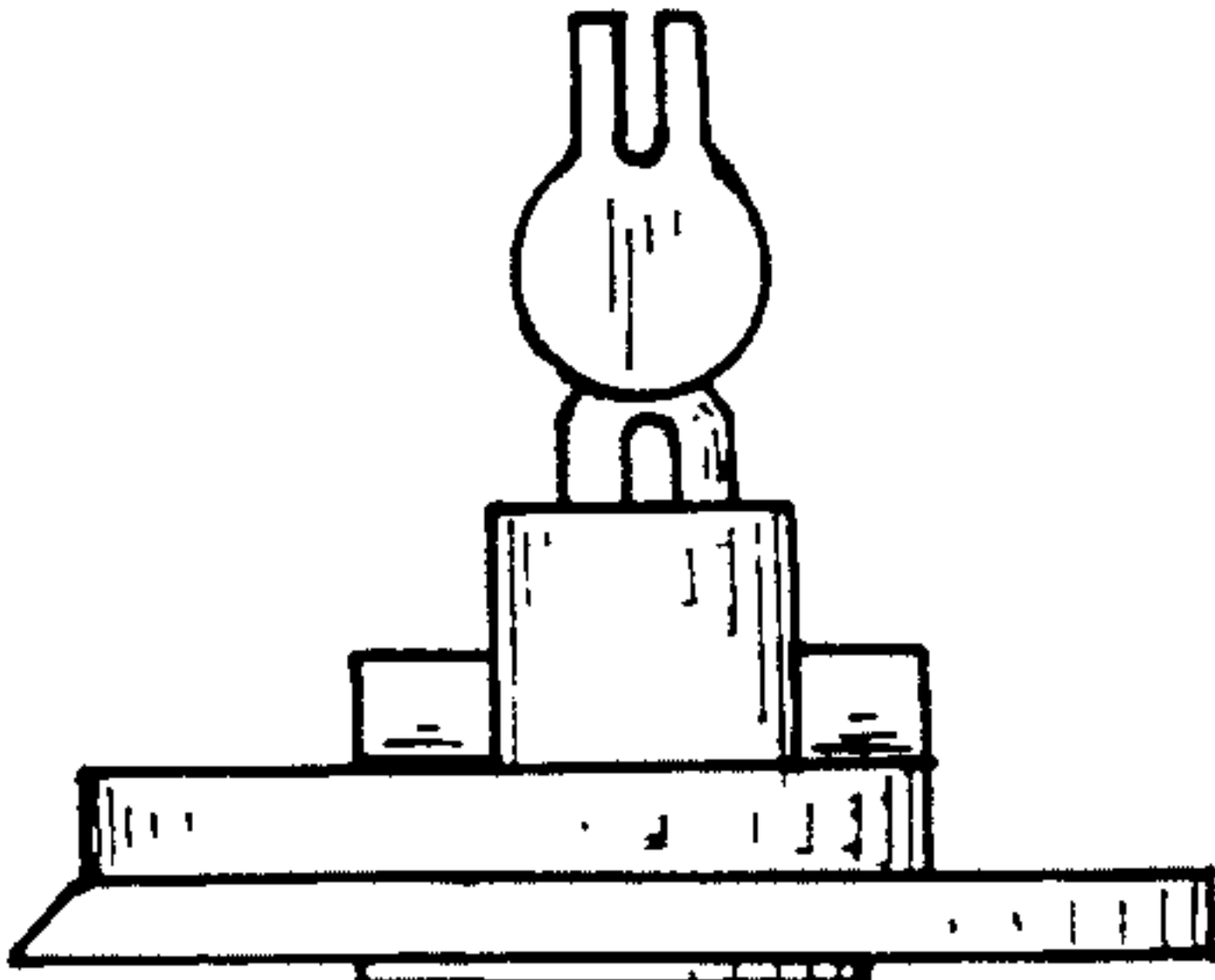


Fig. 7