



US00D349055S

United States Patent [19]

[11] Patent Number: **Des. 349,055**

Hawkins et al.

[45] Date of Patent: **** Jul. 26, 1994**

[54] CERAMIC BELT LINK

[75] Inventors: **William M. Hawkins, Munhall; Thomas G. Gasbarre, DuBois; Bruce C. Cole, Ridgway, all of Pa.; Howard Sanderow, Dayton, Ohio**

[73] Assignee: **Ceramic Furnace Belt, Inc., St. Marys, Pa.**

[**] Term: **14 Years**

[21] Appl. No.: **792,731**

[22] Filed: **Nov. 15, 1991**

[52] U.S. Cl. **D8/499**

[58] Field of Search **D8/499; 59/90, 91; 198/850-852; 266/274; D34/35; D21/191**

[56] **References Cited**

U.S. PATENT DOCUMENTS

- D. 280,224 8/1985 Wilson D21/191
- D. 315,934 4/1991 Wilson et al. D21/191
- D. 315,935 4/1991 Wilson et al. D21/191

- D. 315,936 4/1991 Wilson et al. D21/191
- D. 332,980 2/1993 Wilson et al. D21/191
- 2,986,387 5/1961 Iling 198/851 X
- 3,915,025 10/1975 Poerink 198/851 X
- 4,911,681 3/1990 Funkhouser 156/137 X

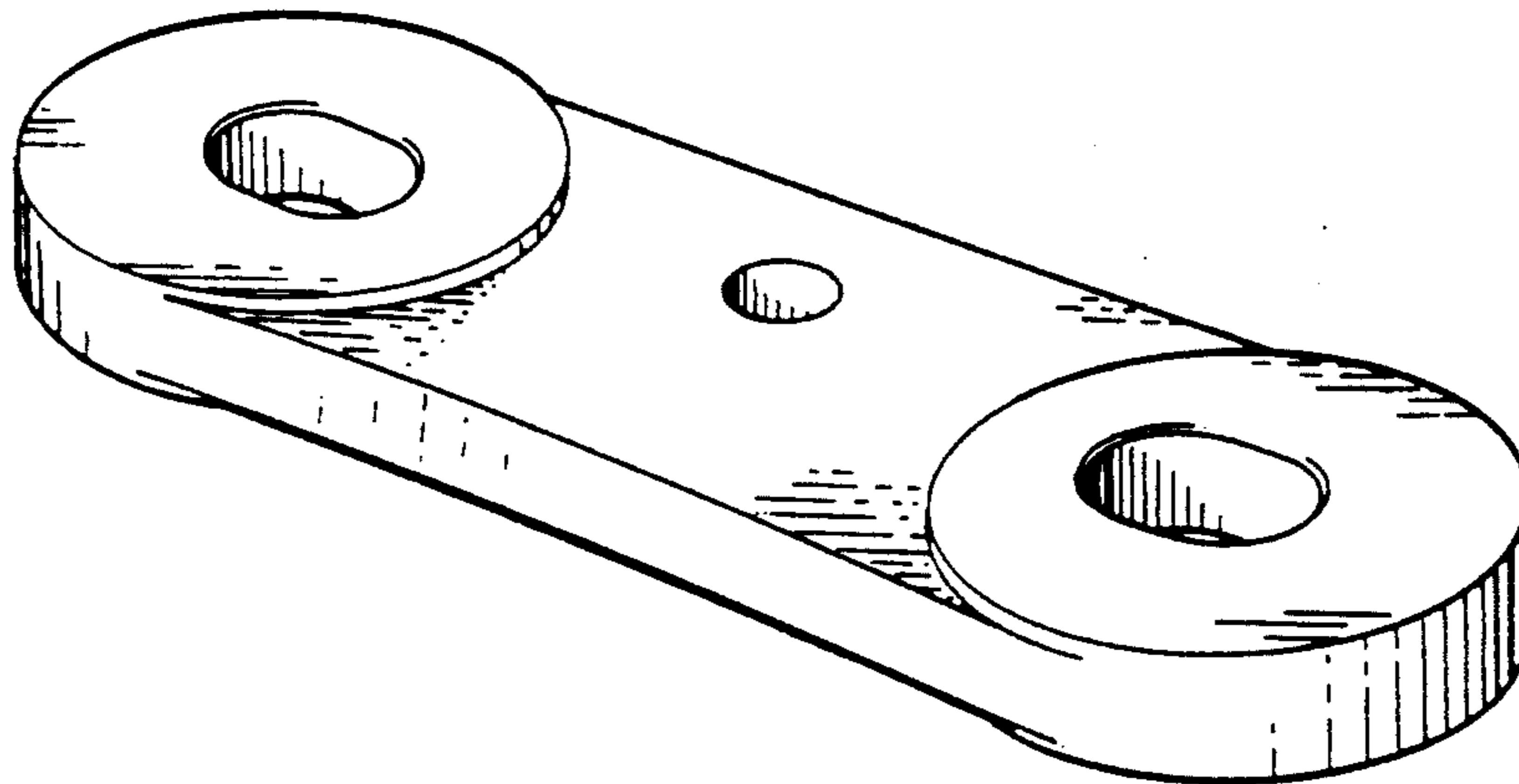
Primary Examiner—Bernard Ansher
Assistant Examiner—M. Siegel
Attorney, Agent, or Firm—Buchanan Ingersoll

[57] **CLAIM**

The ornamental design for a ceramic belt link, as shown and described.

DESCRIPTION

FIG. 1 is an isometric view of a ceramic belt link showing our new design;
FIG. 2 is a top view thereof;
FIG. 3 is a right end view thereof;
FIG. 4 is a bottom view thereof;
FIG. 5 is a left end view thereof;
FIG. 6 is a front view thereof; and,
FIG. 7 is a back view thereof.



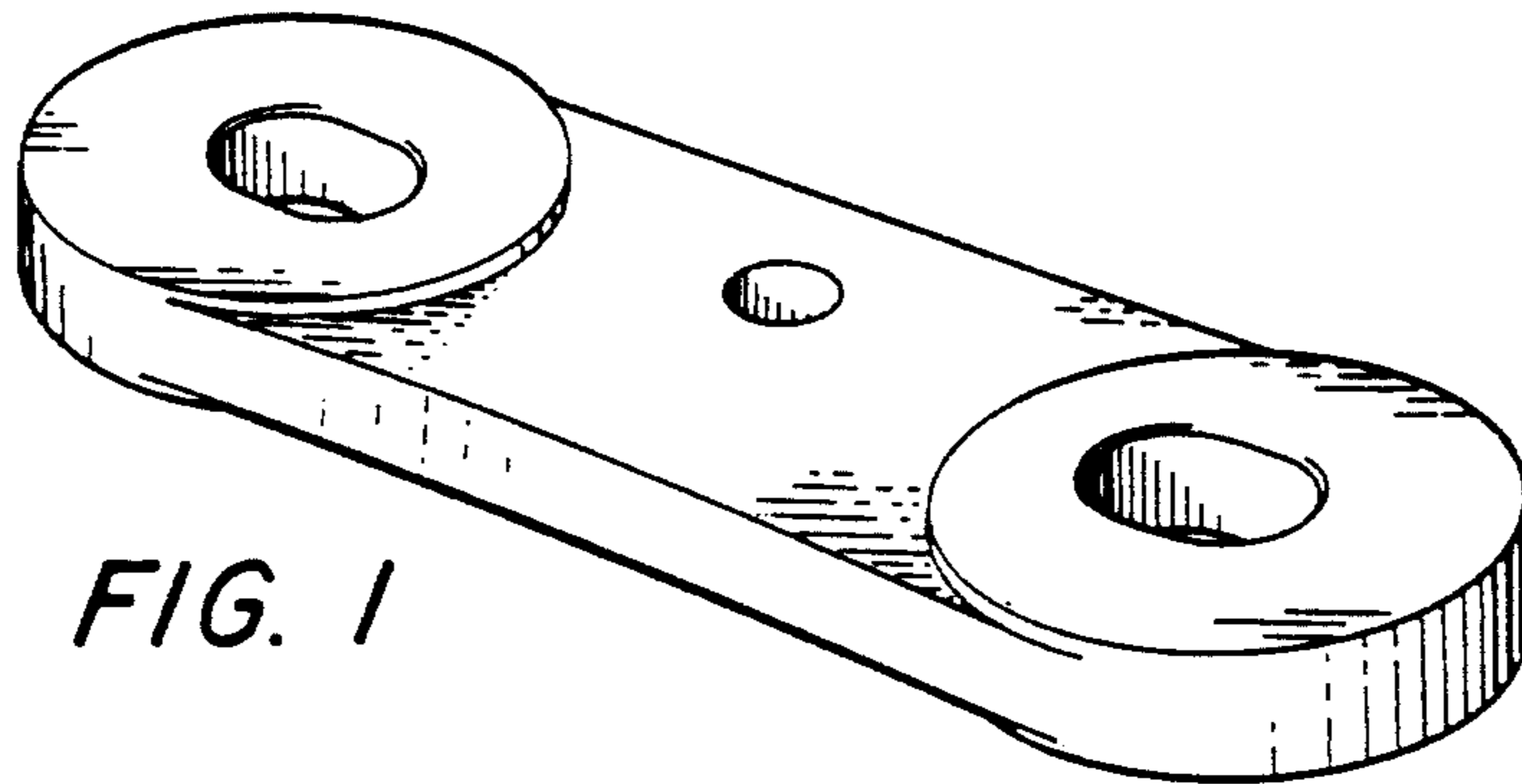


FIG. 1

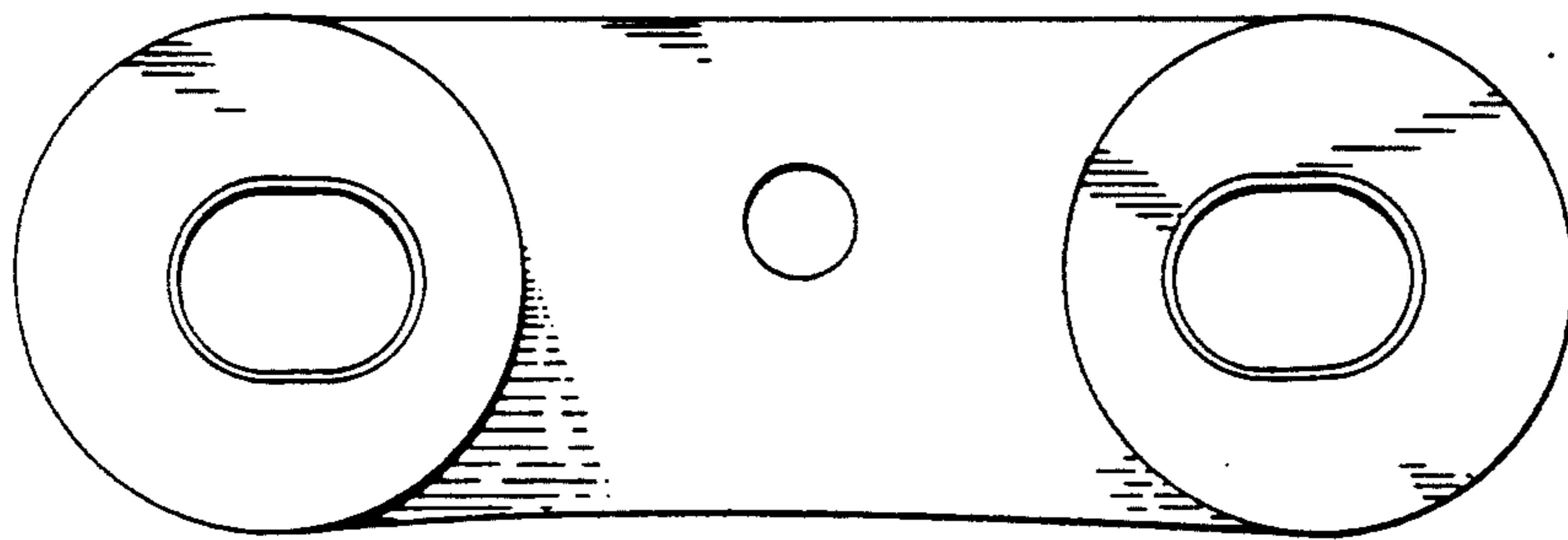


FIG. 2



FIG. 3

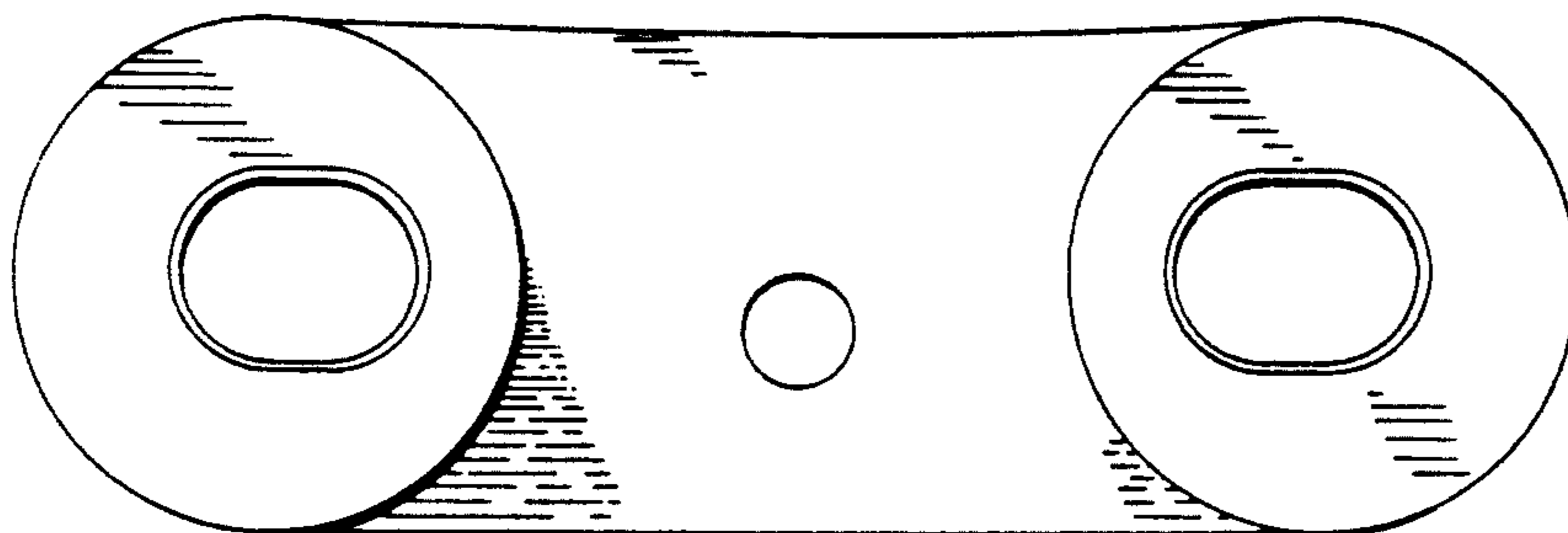


FIG. 4



FIG. 5

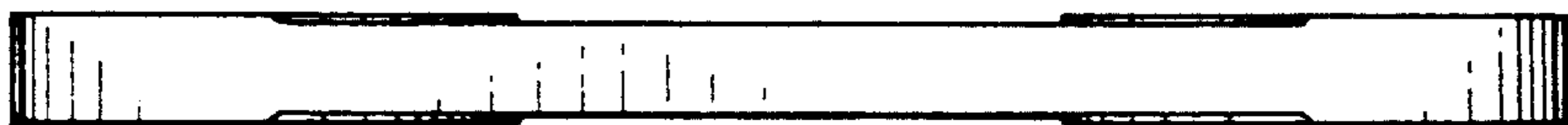


FIG. 6

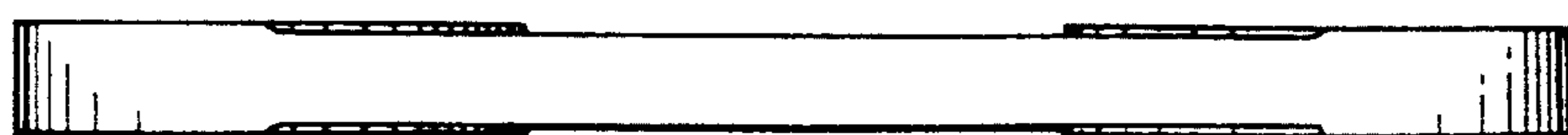


FIG. 7