



US00D349052S

# United States Patent [19]

Goldstein et al.

[11] Patent Number: Des. 349,052

[45] Date of Patent: \*\* Jul. 26, 1994

[54] PACKAGE FOR FOOD

[75] Inventors: Steven Goldstein, Vesenz; Christian Belce, Veyrier, both of Switzerland

[73] Assignee: Axions S.A., Geneva, Switzerland

[\*\*] Term: 14 Years

[21] Appl. No.: 922,074

[22] Filed: Jul. 29, 1992

[30] Foreign Application Priority Data

Mar. 12, 1992 [WO] World Int. Prop. O. ... DM/022 278

[52] U.S. Cl. .... D9/430; D9/418

[58] Field of Search ..... D9/430, 431, 337, 424, D9/418, 415; 206/45.31, 45.34, 44 R, 213, 294, 830, 551; 229/162, 904.1, DIG. 14, 8, 922, 115, 116, 108; 426/118

[56] References Cited

U.S. PATENT DOCUMENTS

- D. 210,323 2/1968 Hurley ..... D9/418
- D. 304,907 12/1989 Tamsen et al. .... D9/418
- D. 313,936 1/1991 Ferrero ..... D9/418

- D. 317,261 6/1991 Brown et al. .... D9/430
- D. 317,721 6/1991 Fiorillo et al. .... D9/430
- 3,891,136 6/1975 Woeste ..... 229/115
- 4,425,731 1/1984 Orlando ..... 229/115 X
- 4,607,784 8/1986 Calabrese ..... 229/115

OTHER PUBLICATIONS

Packaging 1963, pp. 147, 222, 259, Item Nos. 438, 744 and 895.

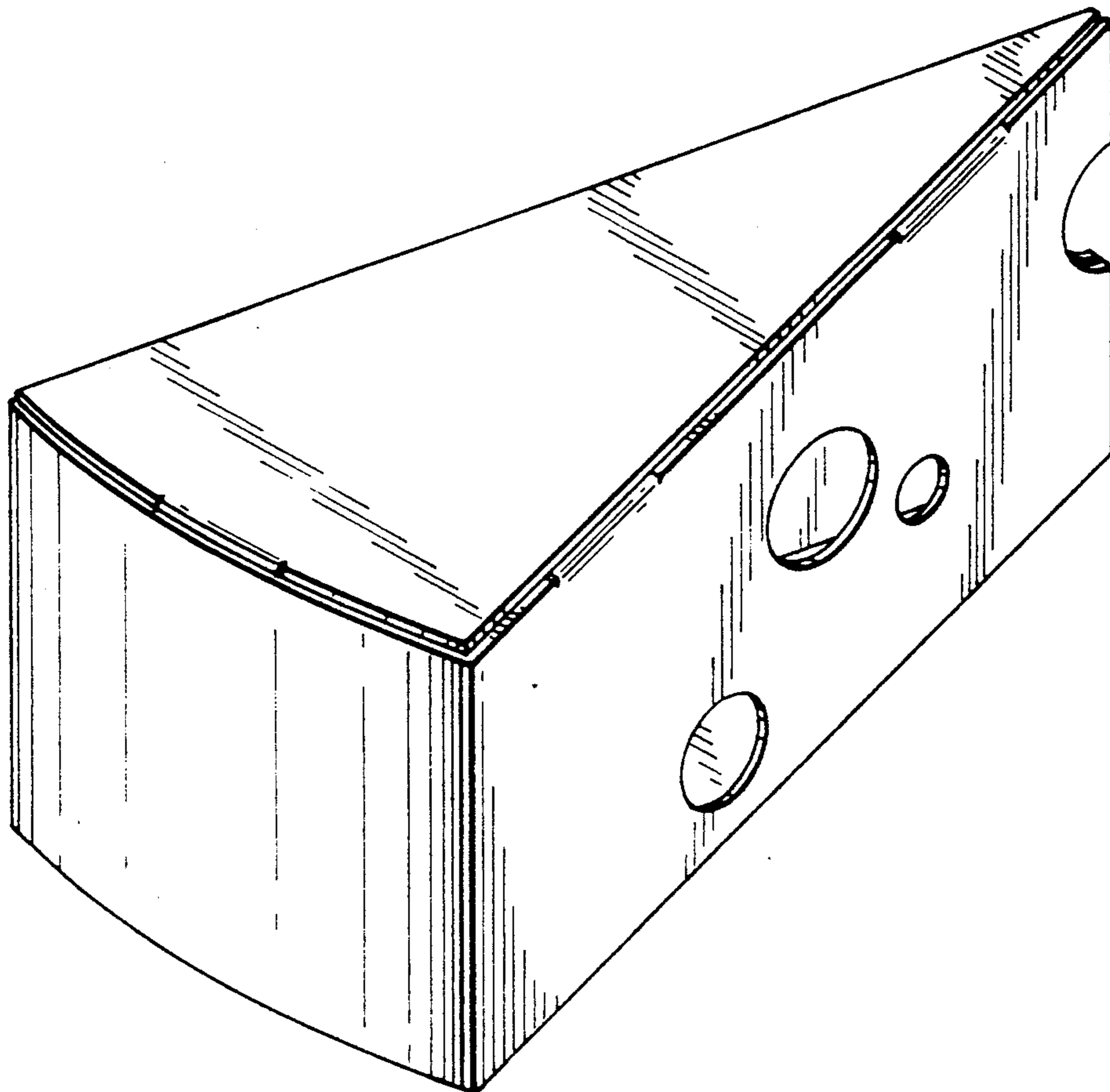
Primary Examiner—Prabhakar G. Deshmukh  
Attorney, Agent, or Firm—Ladas & Parry

[57] CLAIM

The ornamental design for package for food, as shown and described.

DESCRIPTION

FIG. 1 is a front/top right side perspective view of a package for food showing our new design; FIG. 2 is a right side elevational view thereof; FIG. 3 is a top plan view thereof; FIG. 4 is a bottom plan view thereof; FIG. 5 is a rear elevational view thereof; FIG. 6 is a front elevational view thereof; and, FIG. 7 is a left side elevational view thereof.



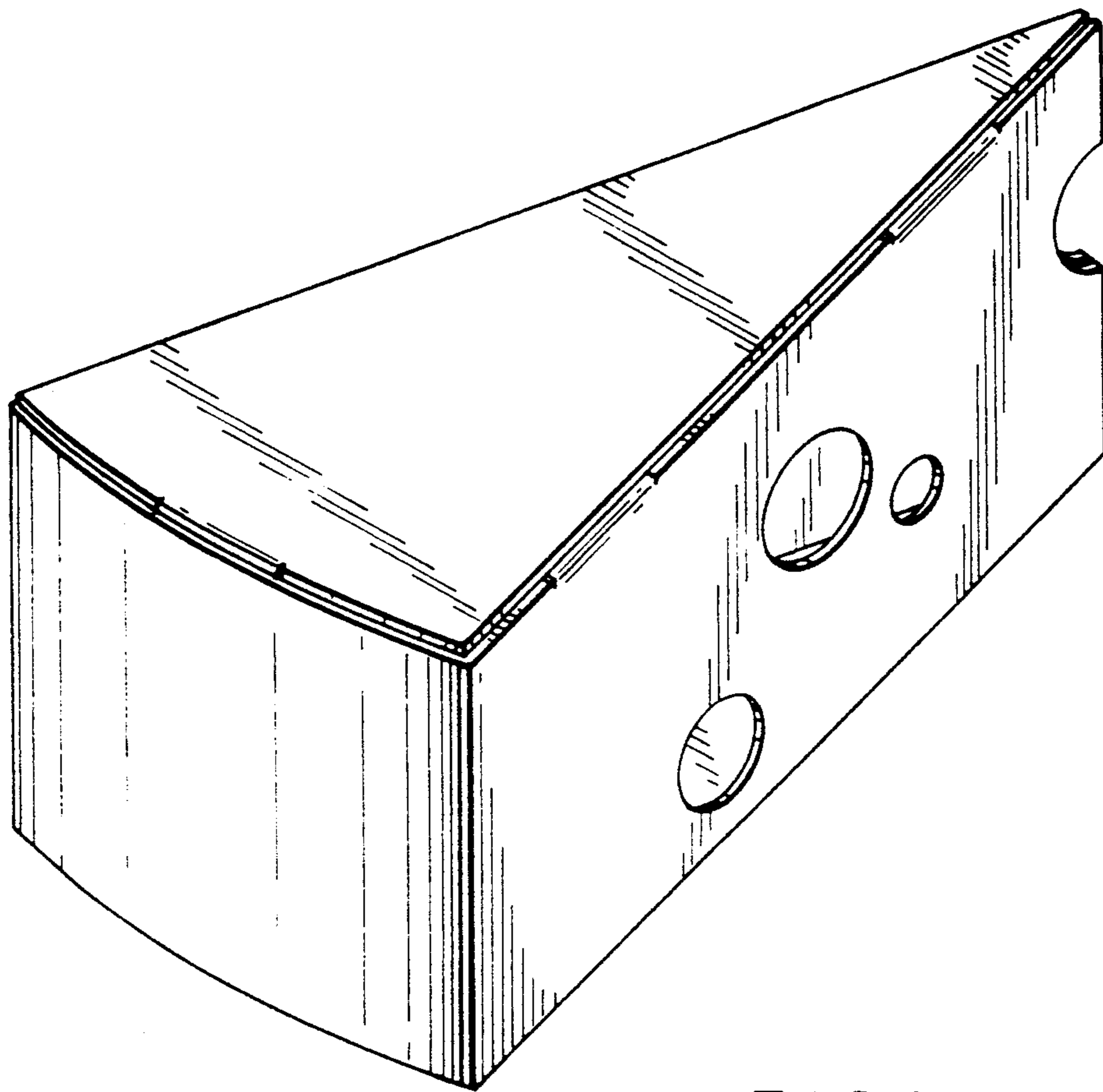


FIG. 1

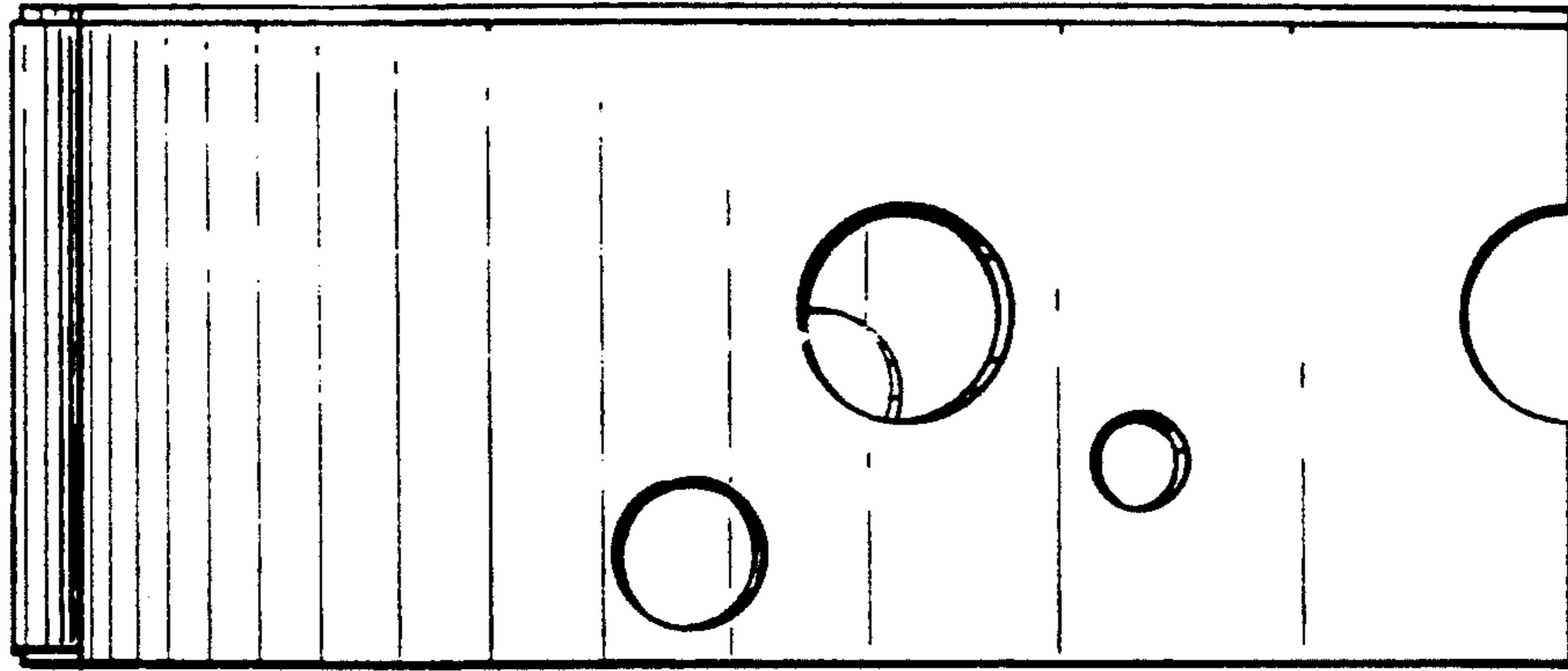


FIG. 2

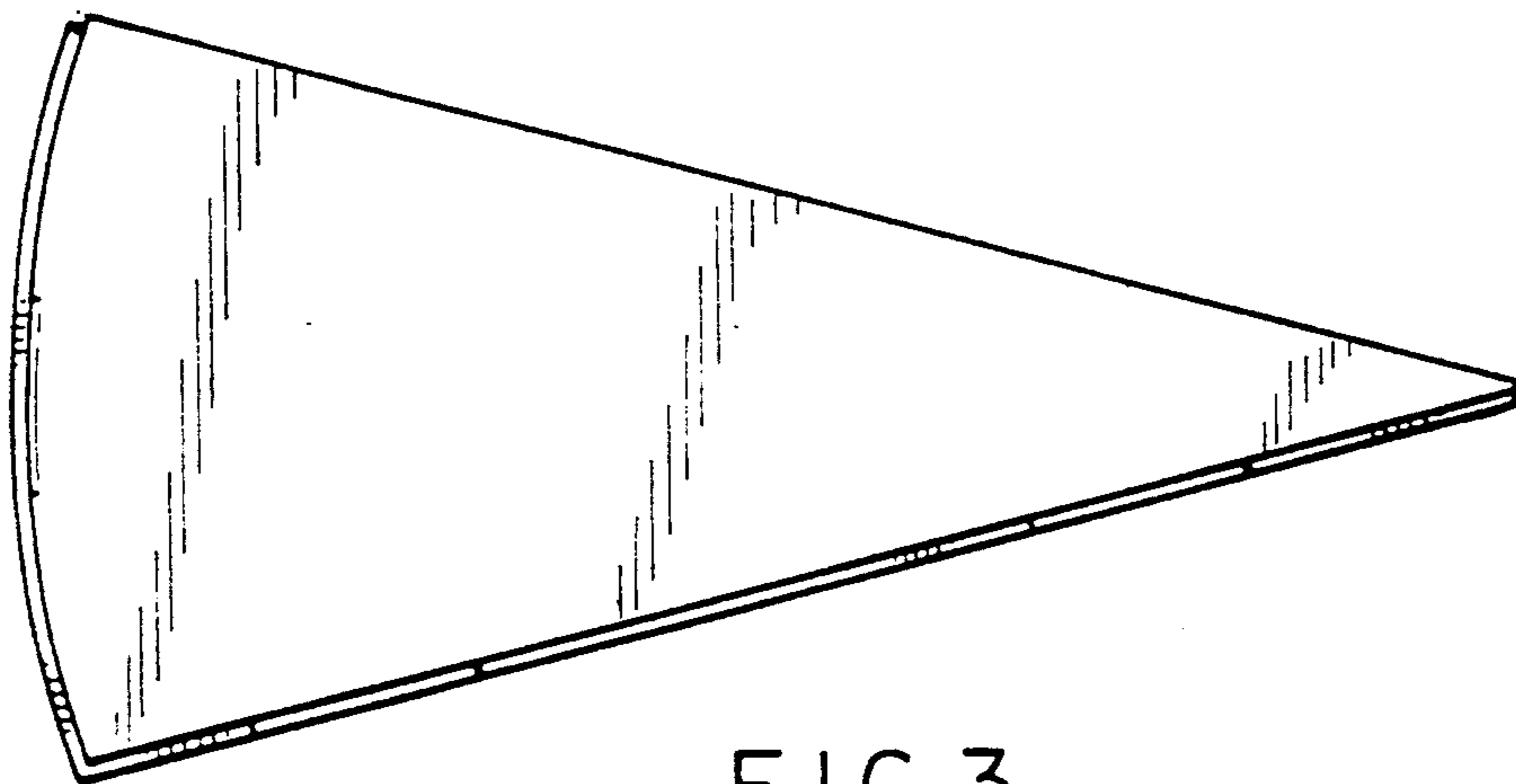


FIG. 3

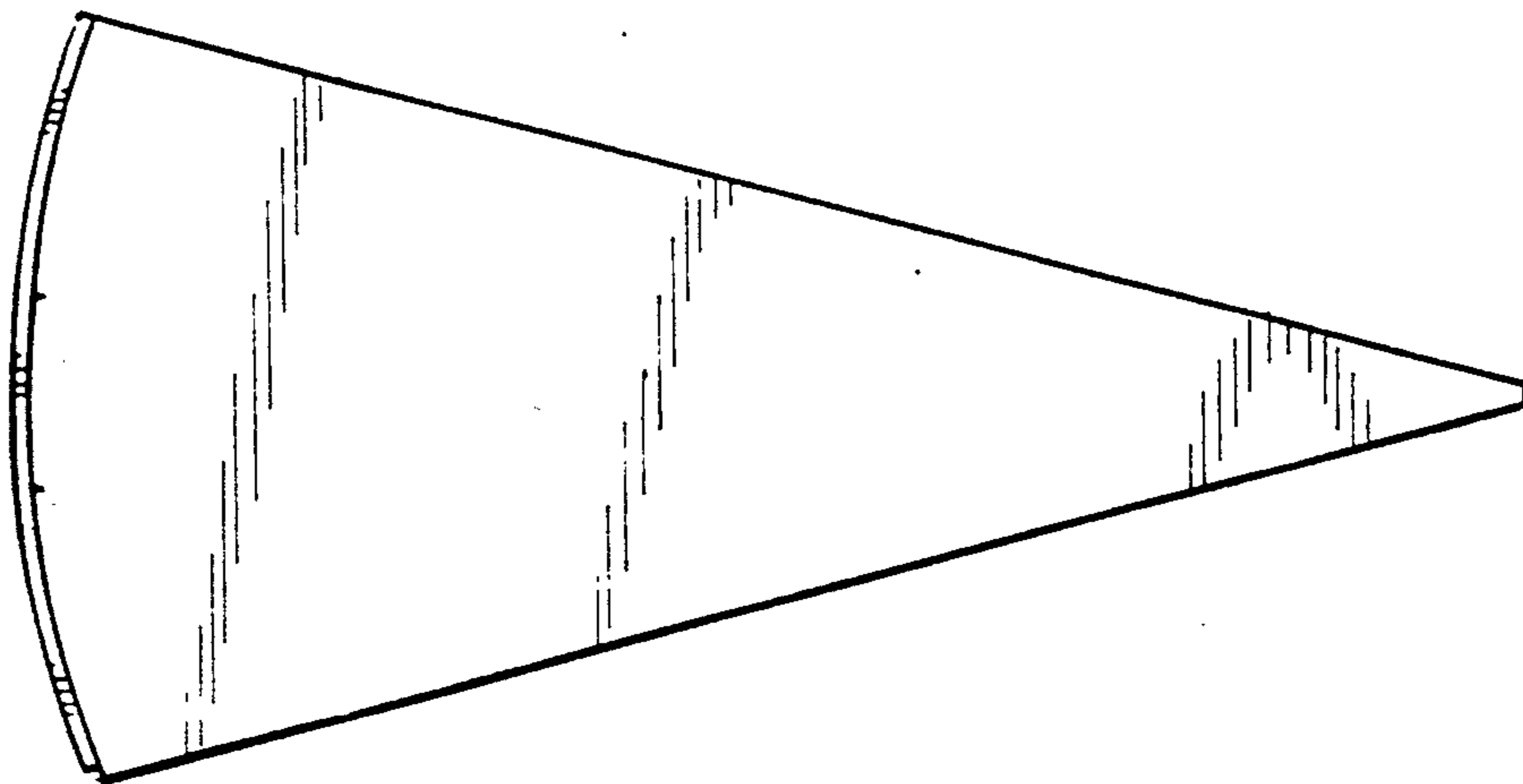


FIG. 4

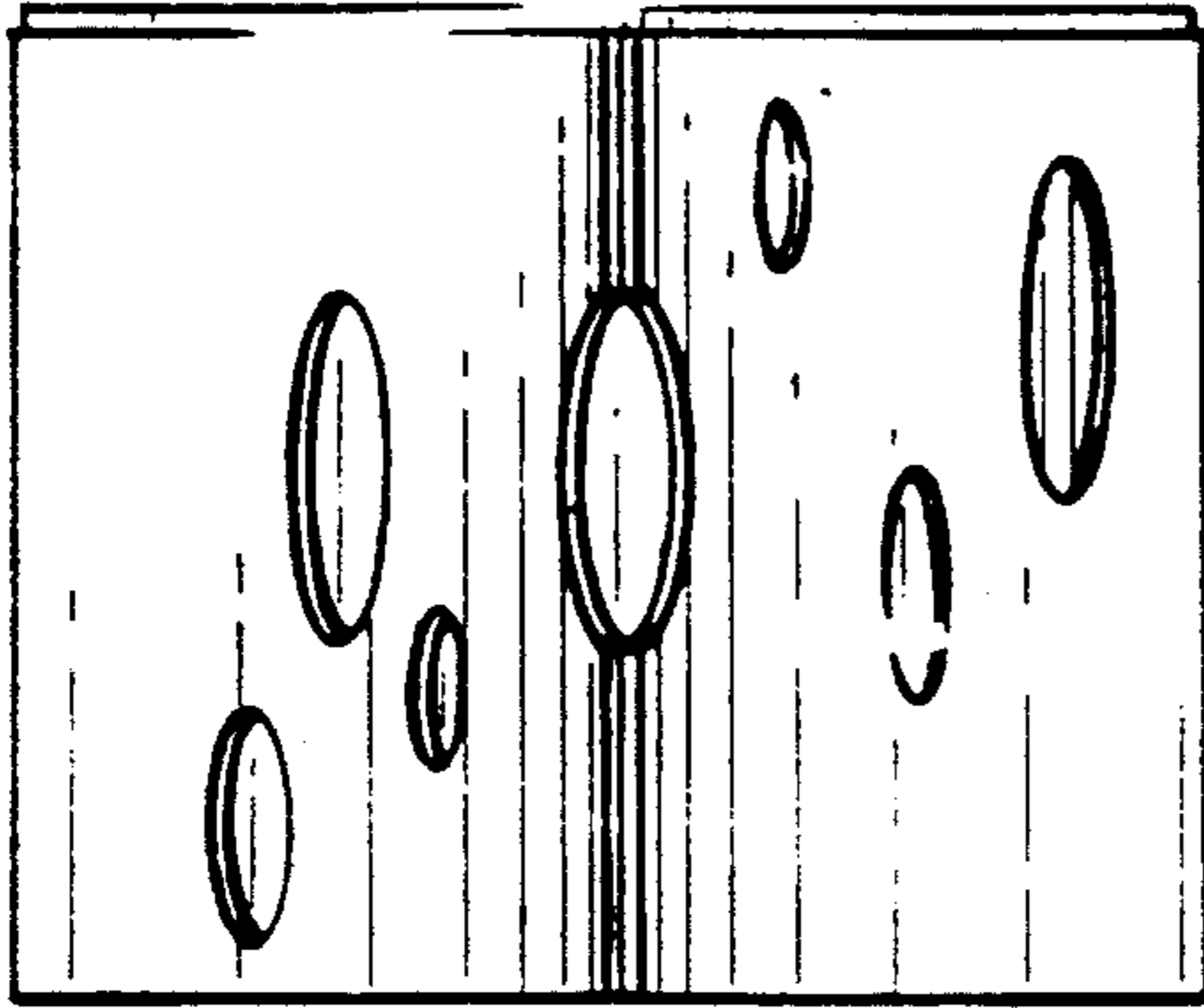


FIG. 5

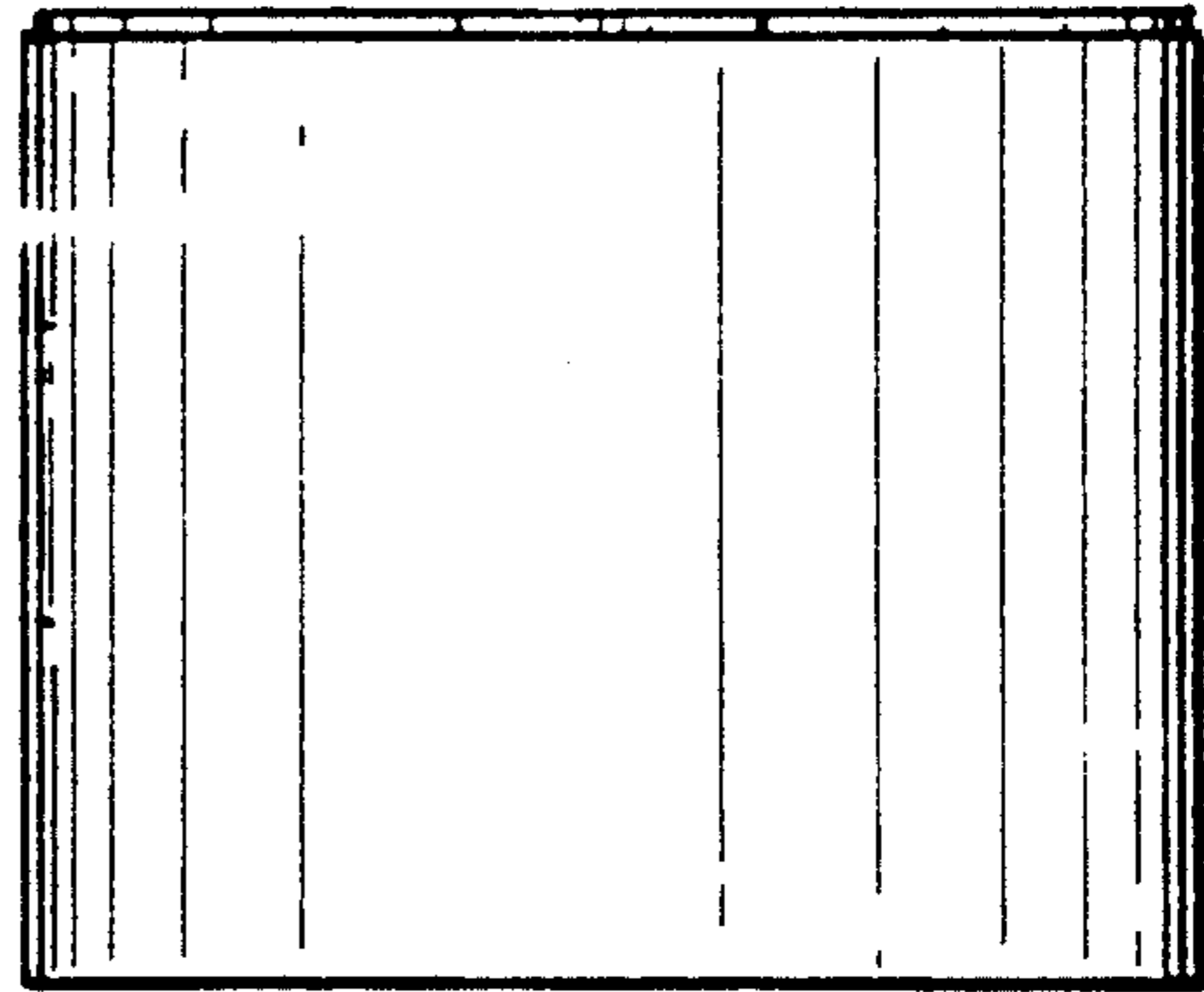


FIG. 6

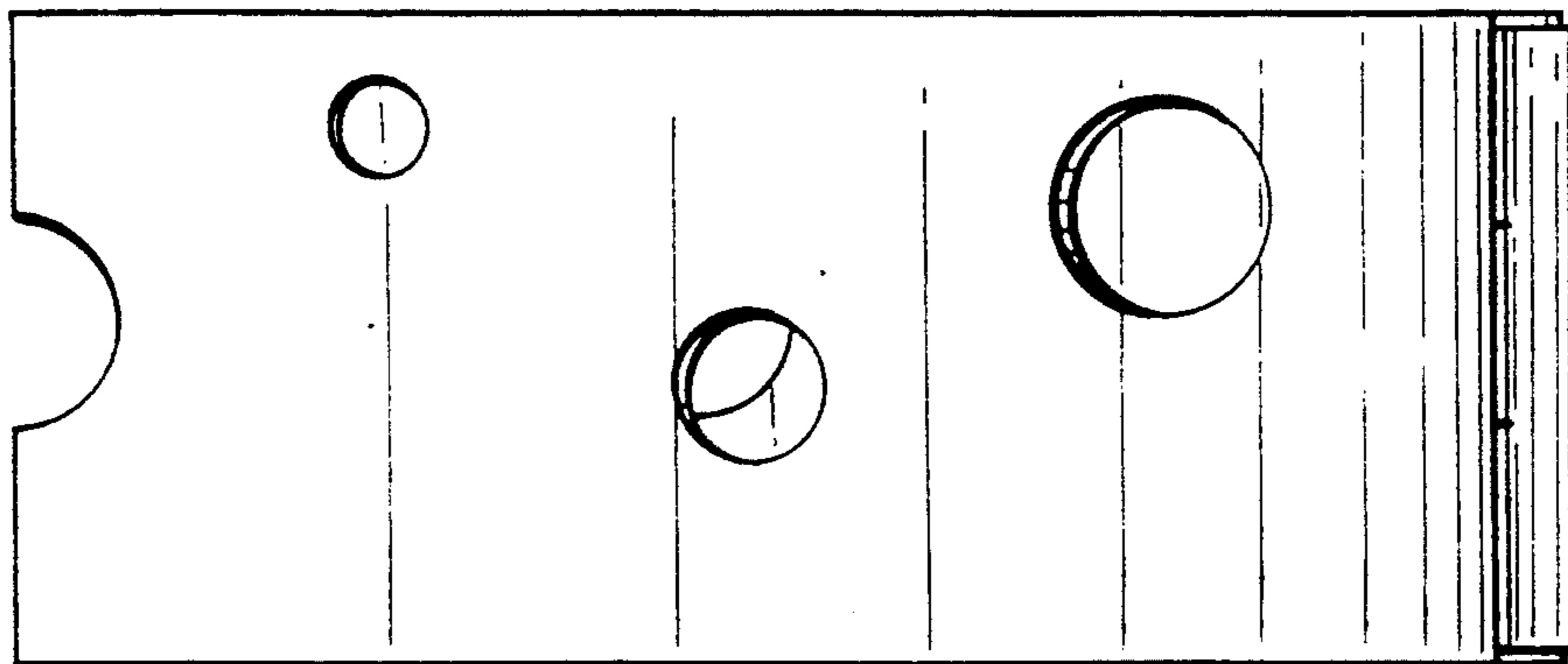


FIG. 7