



US00D349050S

United States Patent [19] Krupa

[11] Patent Number: **Des. 349,050**
[45] Date of Patent: **** Jul. 26, 1994**

[54] **SANDWICH CONTAINER**
[75] Inventor: **Calvin S. Krupa**, Plymouth, Minn.
[73] Assignee: **Ultra Pac, Inc.**, Rogers, Minn.
[**] Term: **14 Years**
[21] Appl. No.: **9,434**
[22] Filed: **Jun. 14, 1993**
[52] U.S. Cl. **D9/425; D9/420;**
D9/430; D9/418
[58] Field of Search **D9/420-425,**
D9/430, 431, 418, 337; 206/45.34, 44 R, 44.11,
45.13, 551; 229/115, 905, 906, DIG. 13, 2.5 R;
220/DIG. 10, 4.01, 4.29, 4.28, 376, 377, 334,
337, 662, 669

5,269,430 12/1993 Schlaupitz et al. 206/551 X

FOREIGN PATENT DOCUMENTS

74806 2/1945 Czechoslovakia 229/25.12

OTHER PUBLICATIONS

Packaging Catalog, 1935, p. 41, Triangular Container.
Packaging Cat, 1962, p. 259, Triangular Container.

Primary Examiner—Prabhakar G. Deshmukh
Attorney, Agent, or Firm—Haugen and Nikolai

[57] CLAIM

The ornamental design for the sandwich container, as shown and described.

DESCRIPTION

FIG. 1 is a perspective view of a sandwich container and cover showing my new design; FIG. 2 is a front elevational view thereof; FIG. 3 is a rear elevational view thereof; FIG. 4 is a left side elevational view thereof; the right side elevational view being the mirror image thereof; FIG. 5 is a top plan view thereof; and, FIG. 6 is a bottom plan view thereof.

[56] References Cited U.S. PATENT DOCUMENTS

D. 314,145	1/1991	Niemetz	D9/418
1,847,345	3/1932	Longstreet	229/938 X
3,503,759	3/1970	Wilton	229/938 X
5,046,659	9/1991	Warburton	229/2.5 R

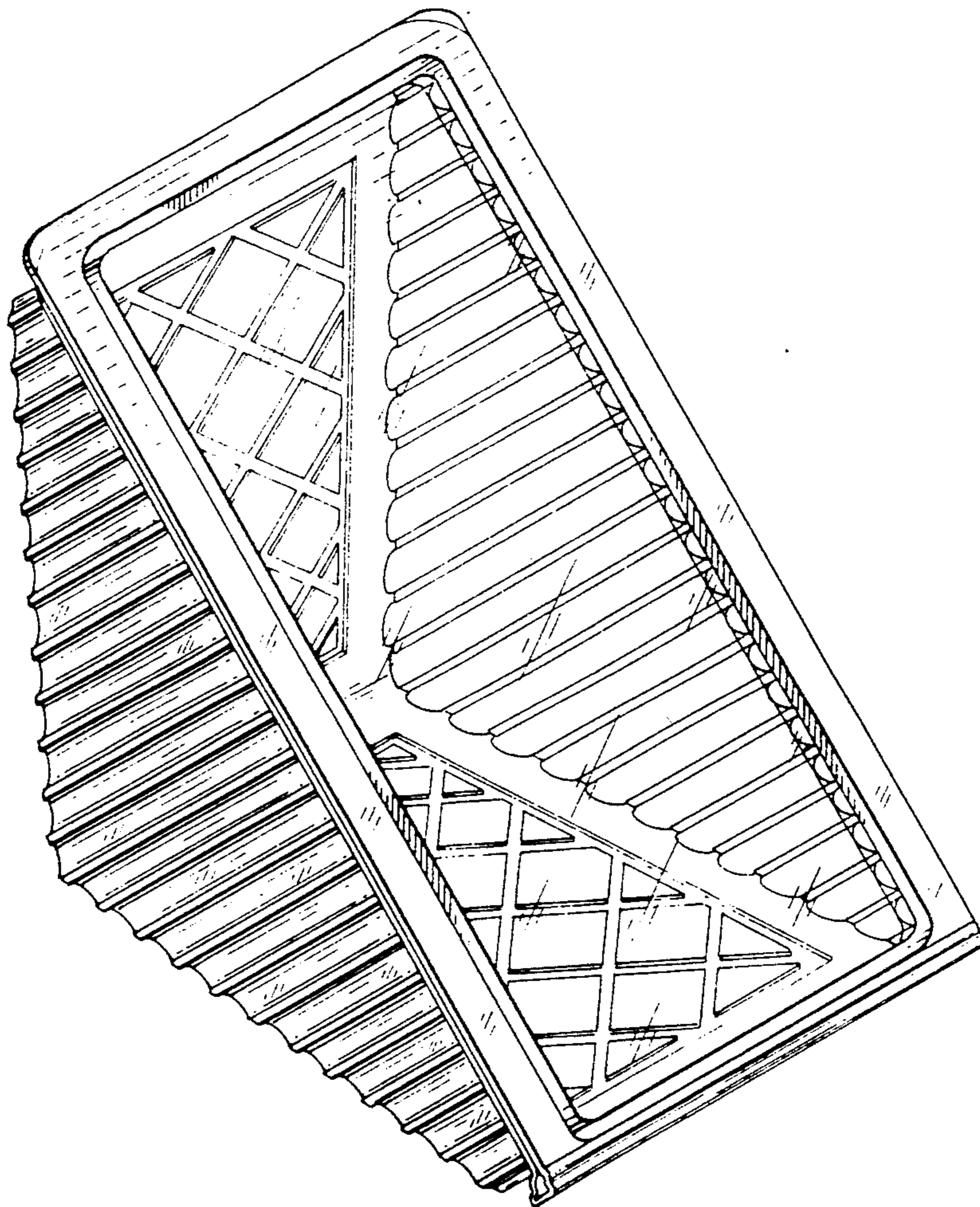


Fig.-1

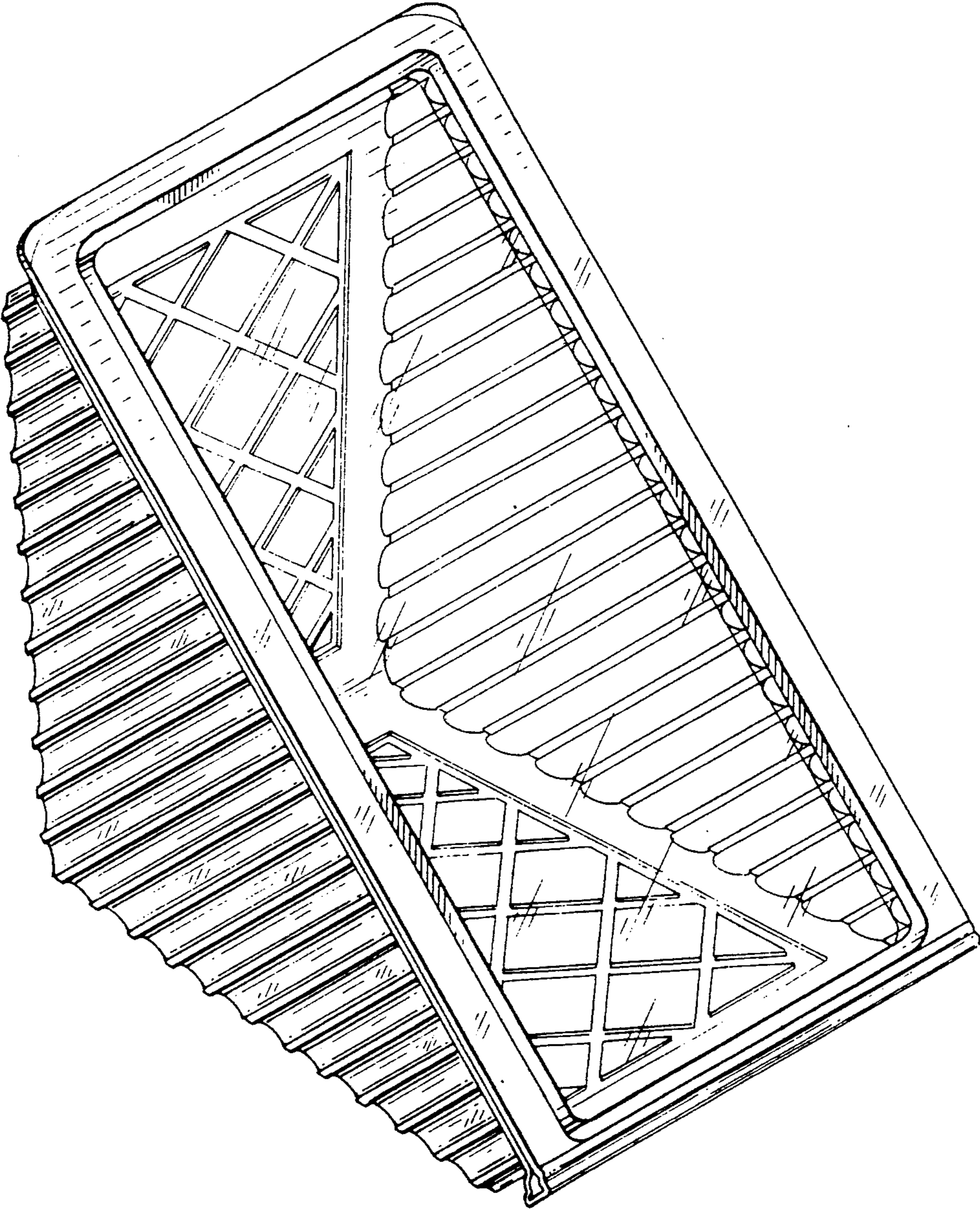


Fig. -2

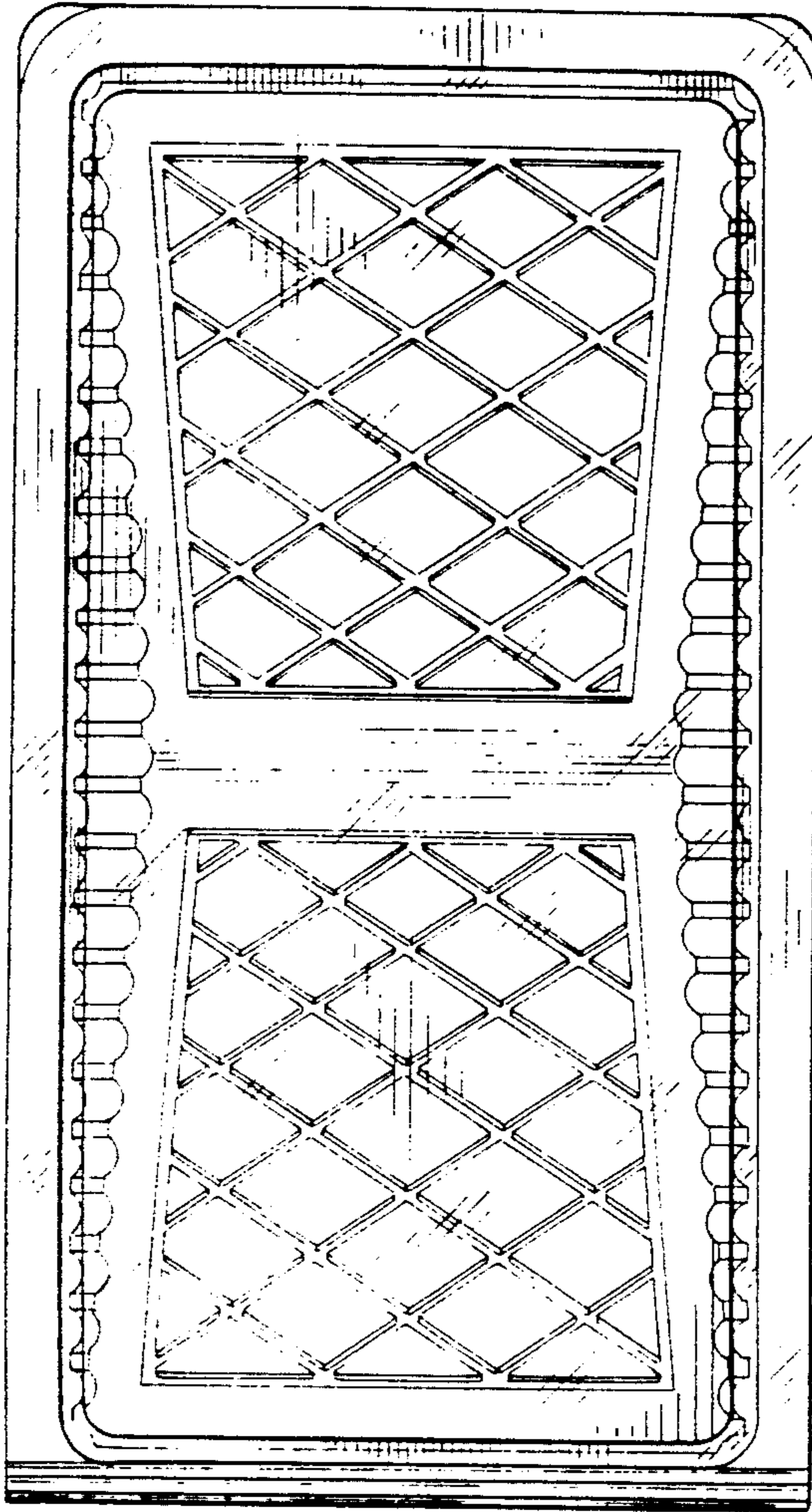
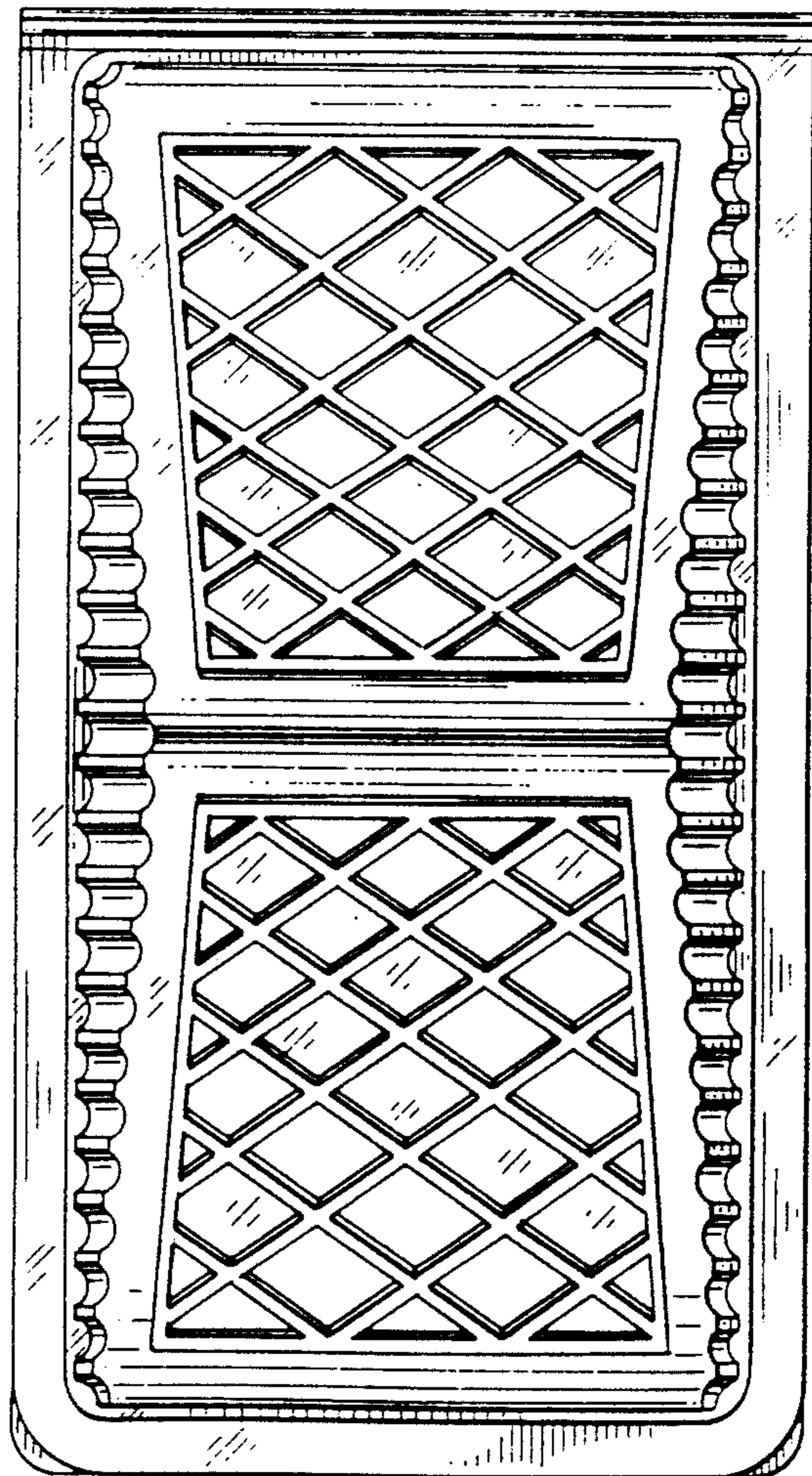


Fig. -3



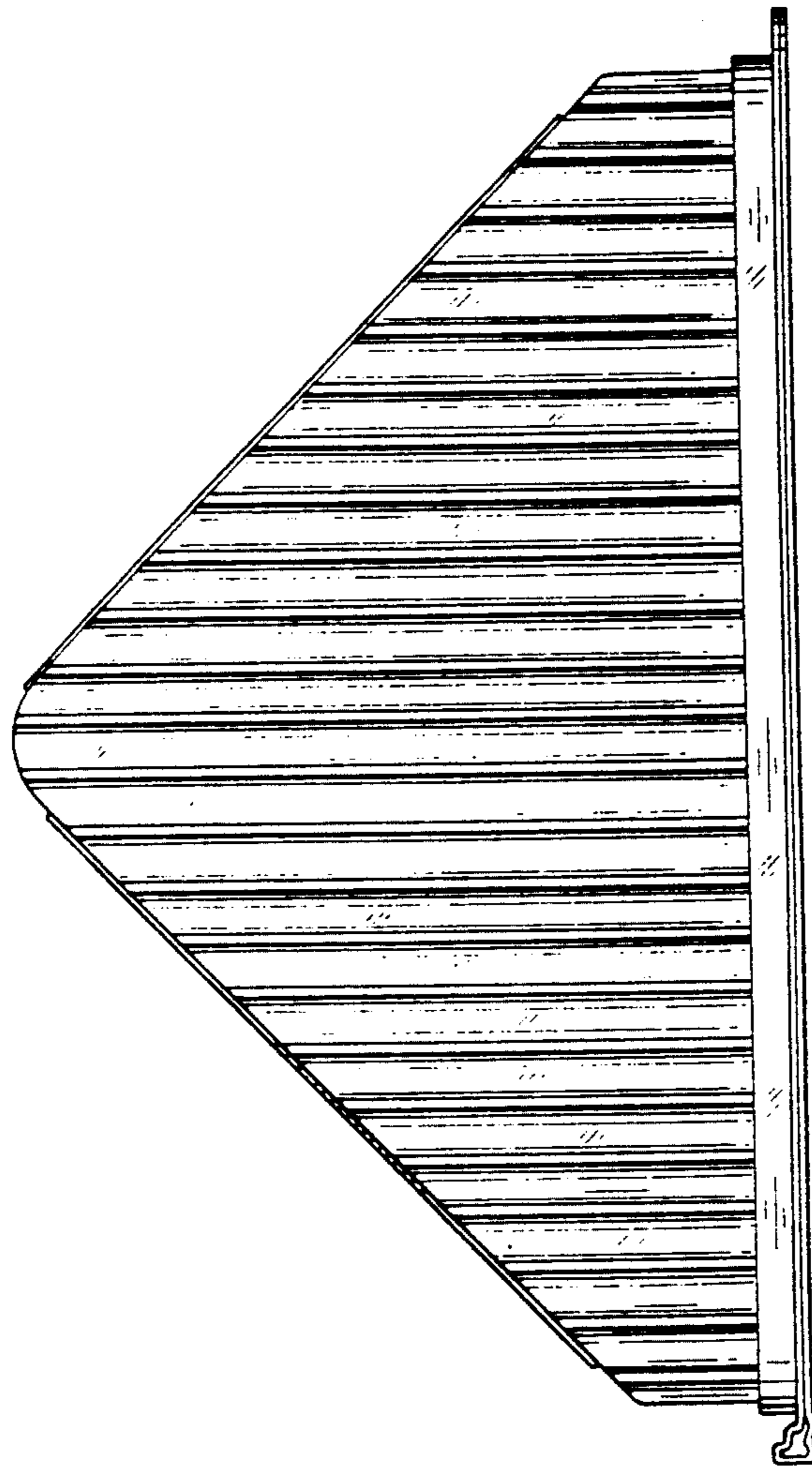


Fig. -4

Fig. -5

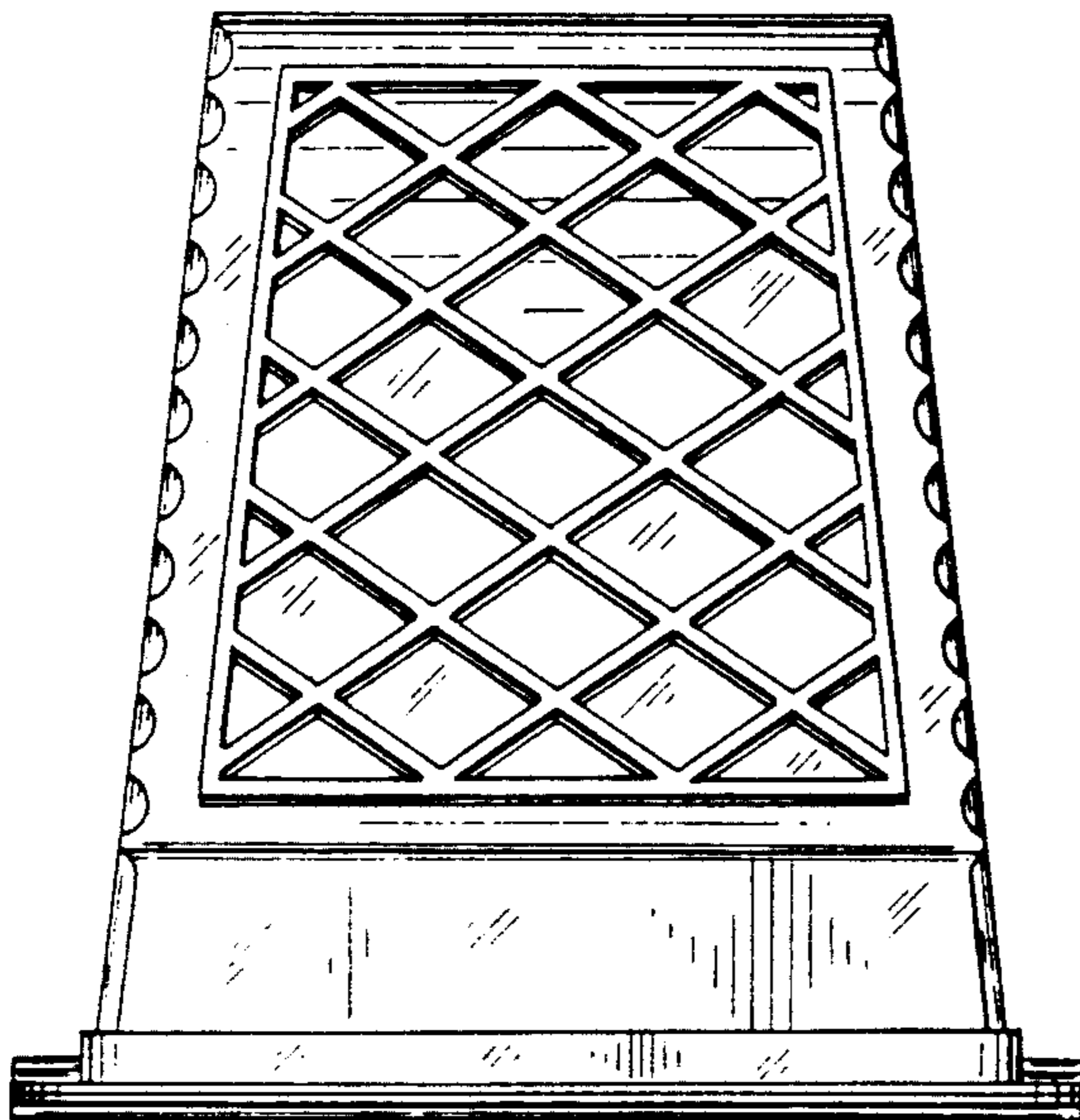


Fig. -6

