



US00D349046S

# United States Patent [19]

Brown

[11] Patent Number: **Des. 349,046**

[45] Date of Patent: **\*\* Jul. 26, 1994**

[54] COMBINATION LIQUID CONTAINER AND TOY BUILDING BLOCK

[76] Inventor: **Gary C. Brown**, 1691 Highway 19, South, Meansville, Ga. 30256

[\*\*] Term: **14 Years**

[21] Appl. No.: **5,441**

[22] Filed: **Mar. 4, 1993**

[52] U.S. Cl. .... **D9/307; D21/108**

[58] Field of Search ..... **D9/300, 307, 322, 337, D9/341, 516; 220/4.24, 4.26, 4.27, 23.6; 215/1 R, 1 C; D21/108**

4,570,799	2/1986	Mednis	.....	D9/523 X
4,708,253	11/1987	Mednis	.....	D9/523 X
5,167,336	12/1992	Lajovic	.....	220/236 X
6,640,423	2/1987	Mednis	.....	220/23.6 X

*Primary Examiner*—Bernard Ansher

*Assistant Examiner*—M. Siegel

### [57] CLAIM

The ornamental design for a combination liquid container and toy building block, as shown.

### DESCRIPTION

FIG. 1 is a top perspective view of a combination liquid container and toy building block showing my new design;

FIG. 2 is a bottom perspective view thereof;

FIG. 3 is a right side elevational view thereof;

FIG. 4 is a top plan view thereof;

FIG. 5 is a front elevational view thereof;

FIG. 6 is a bottom plan view thereof;

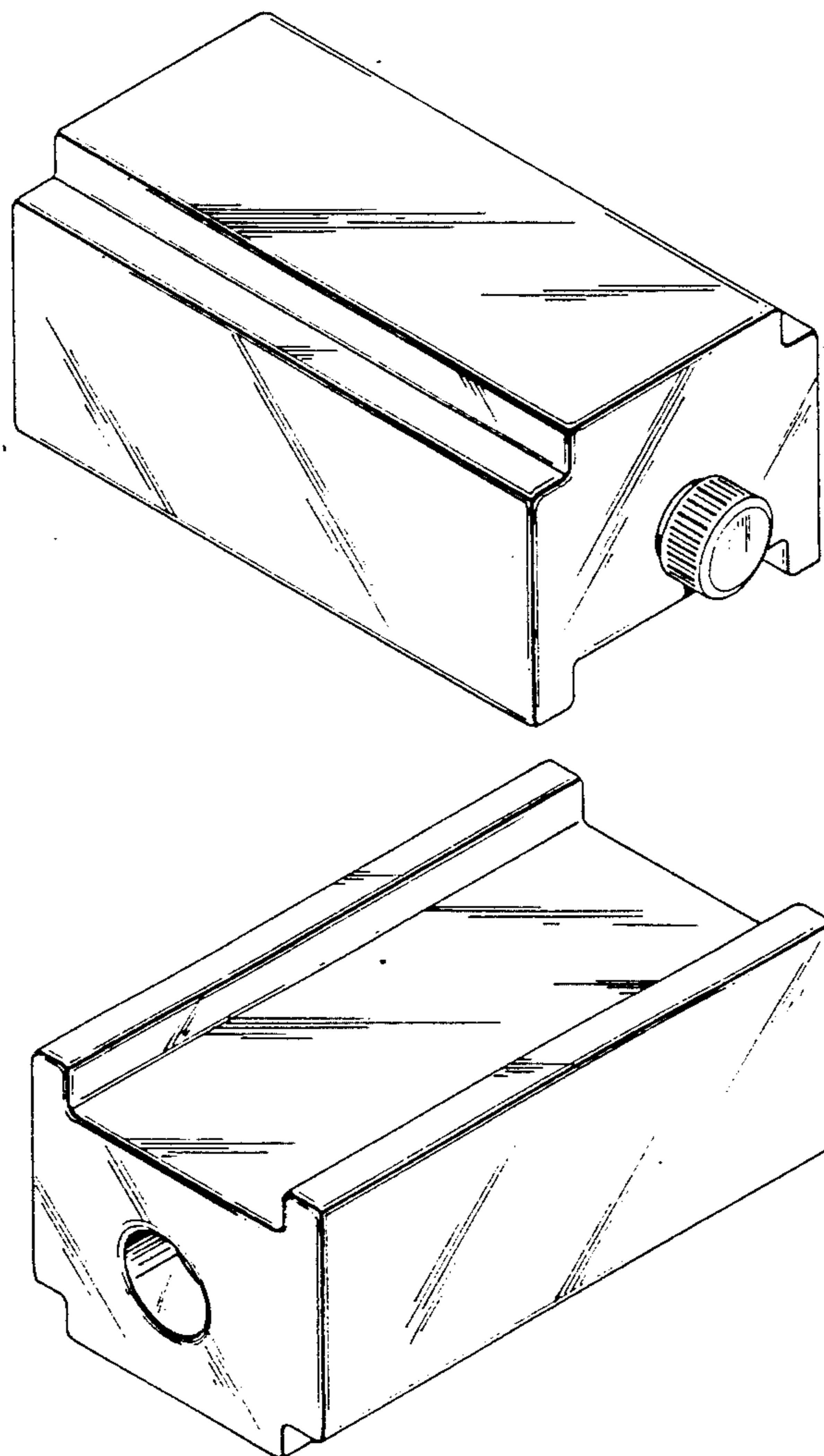
FIG. 7 is a rear elevational view thereof; and,

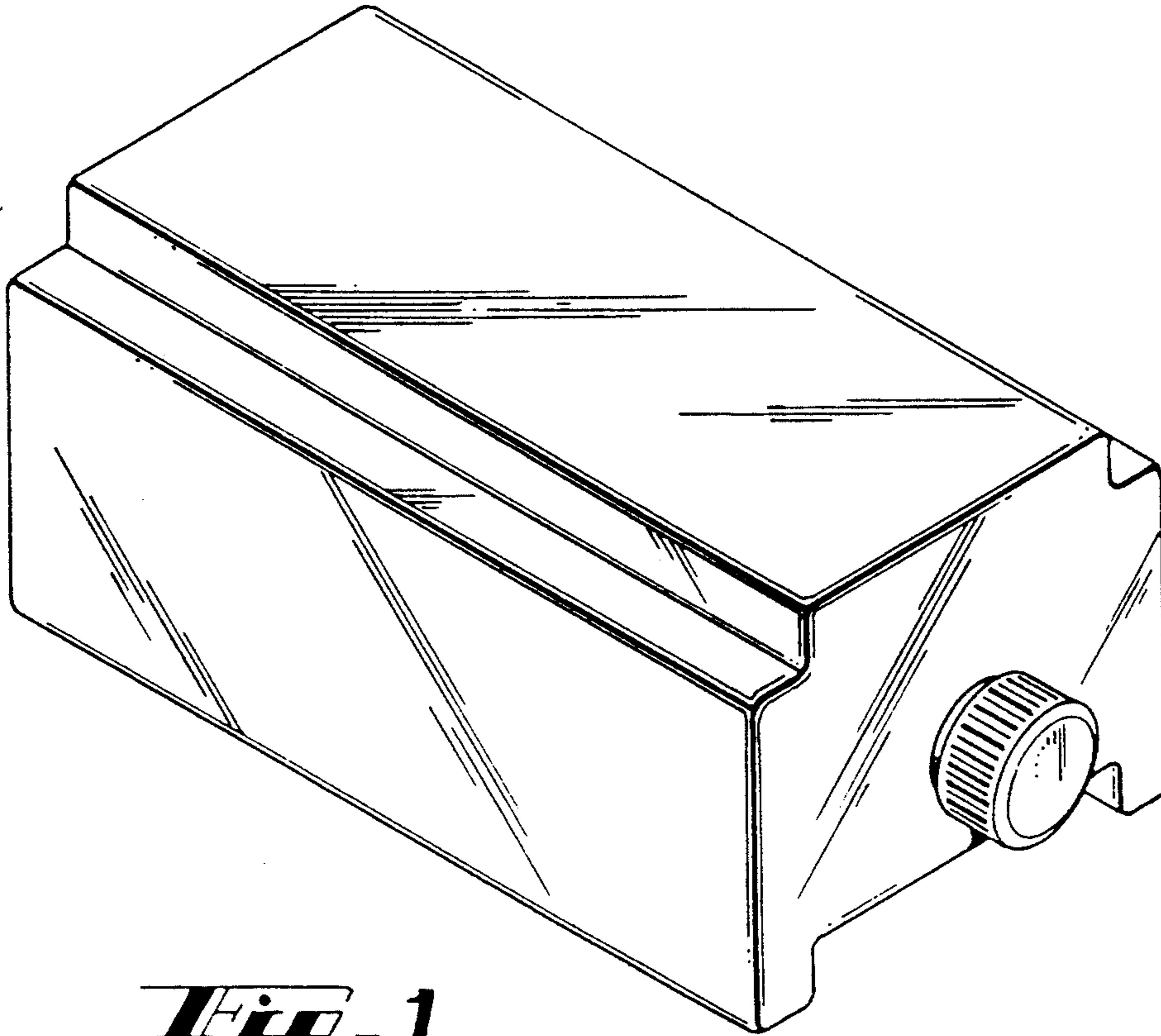
FIG. 8 is a left side elevational view thereof.

### [56] References Cited

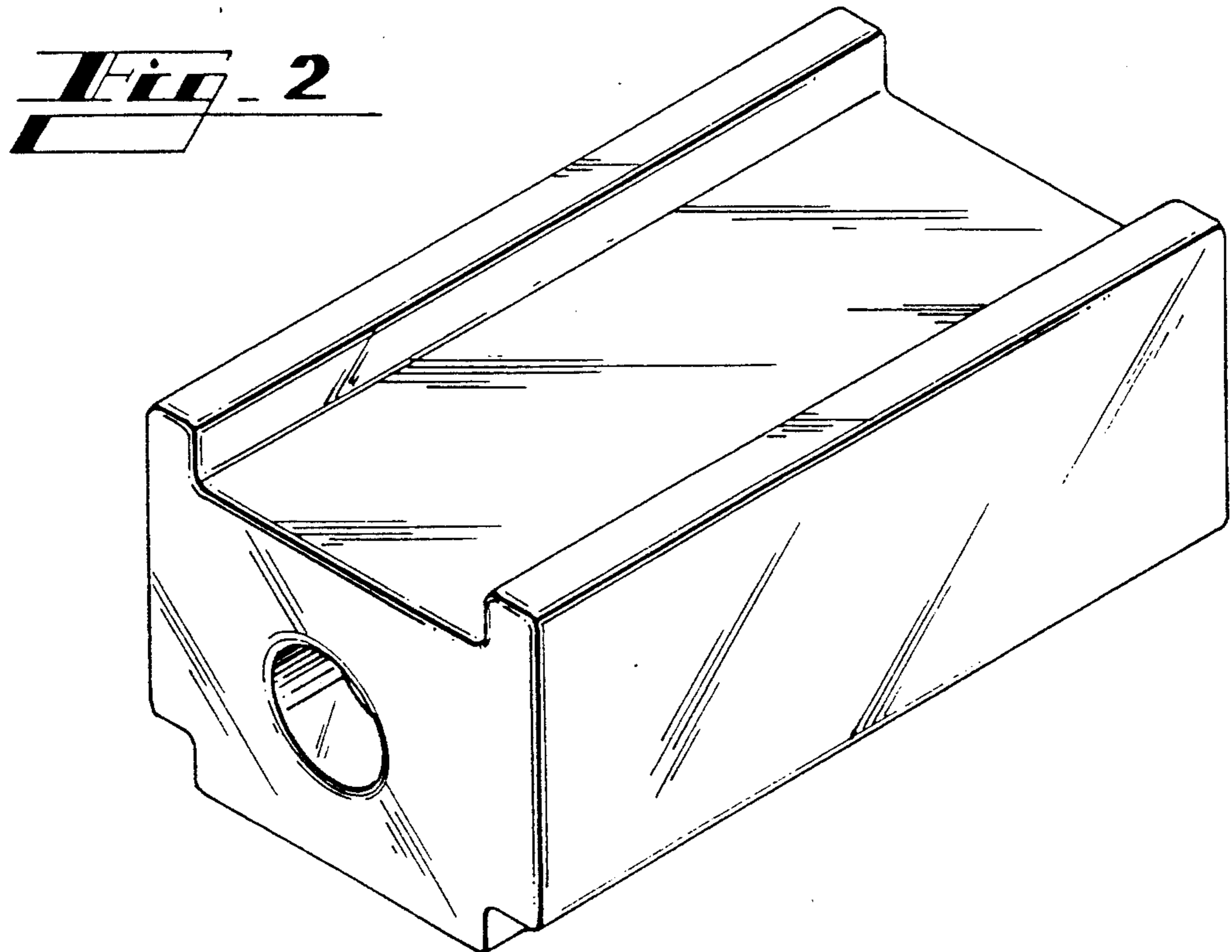
#### U.S. PATENT DOCUMENTS

D. 249,230	9/1978	Van Der Veken	.....	D9/337
D. 288,174	2/1987	Mednis	.....	D9/523
D. 313,347	1/1991	Fiore	.....	D9/300 X
D. 333,978	3/1993	Zutler	.....	D9/432 X
D. 341,781	11/1993	Sanyal	.....	D9/516 X



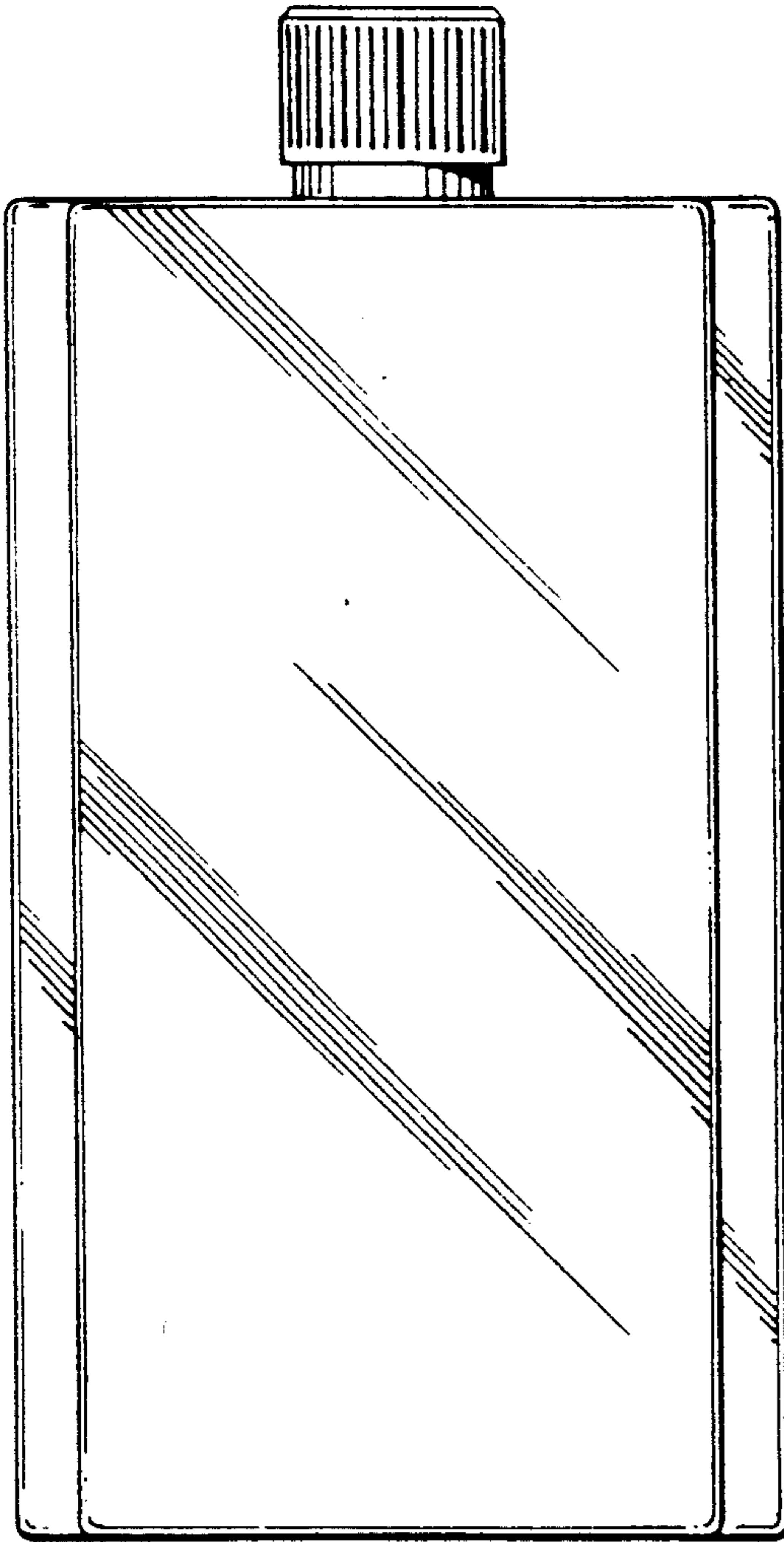
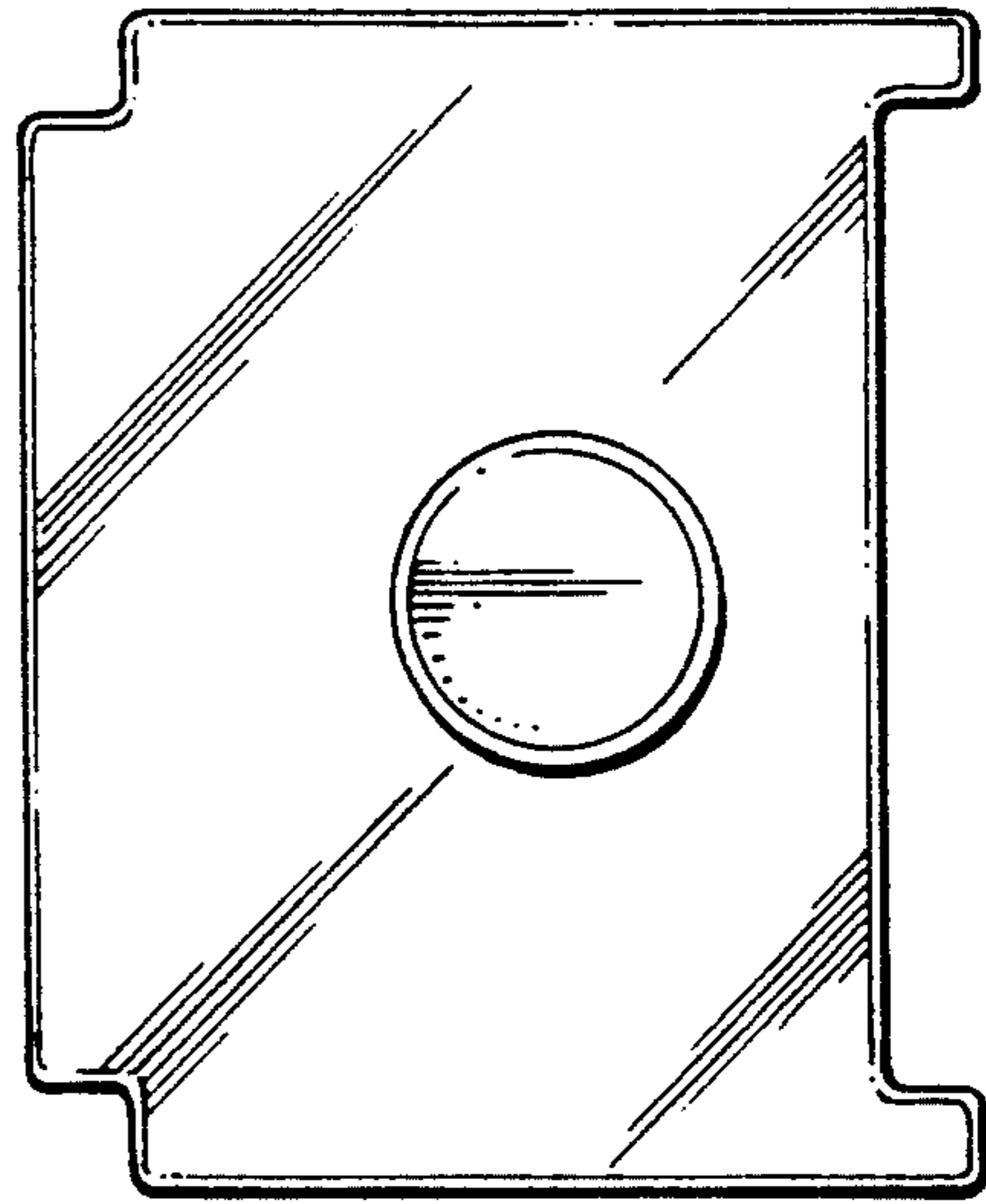


**Fig. 1**

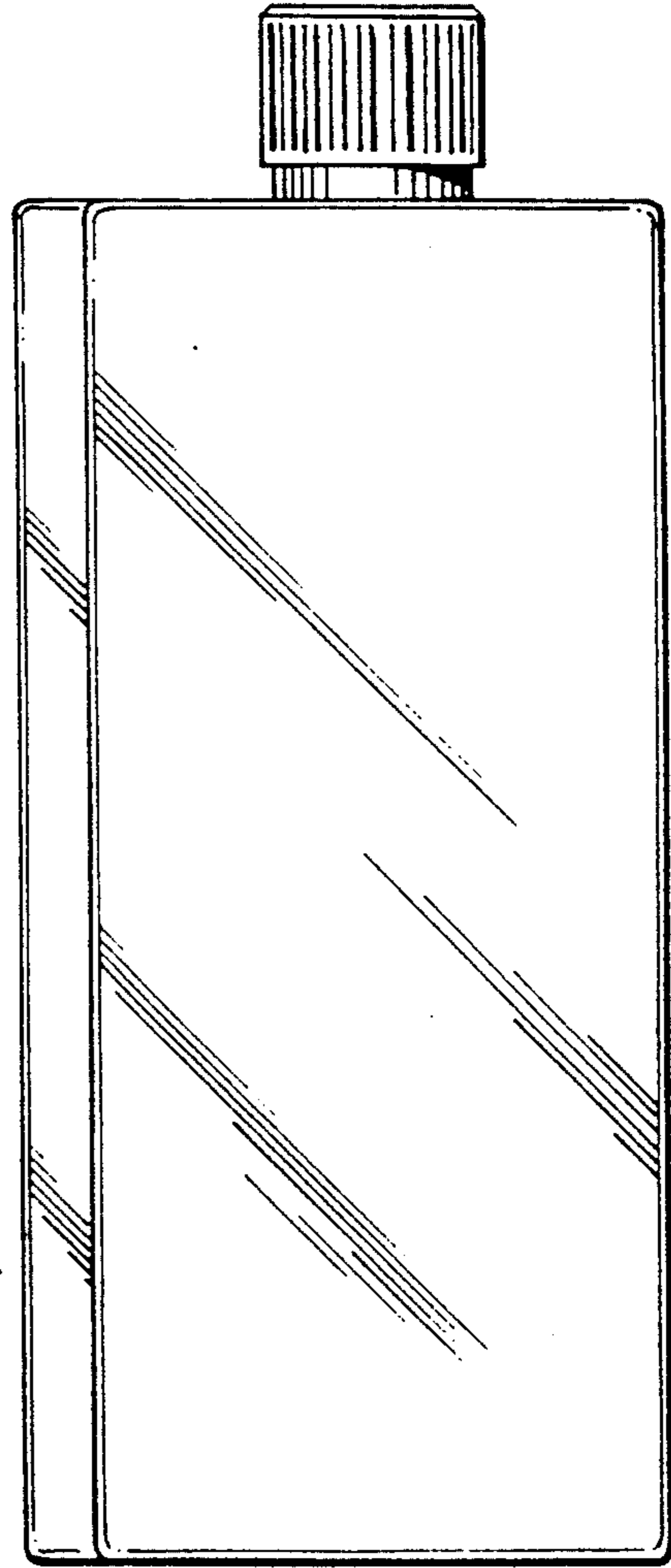


**Fig. 2**

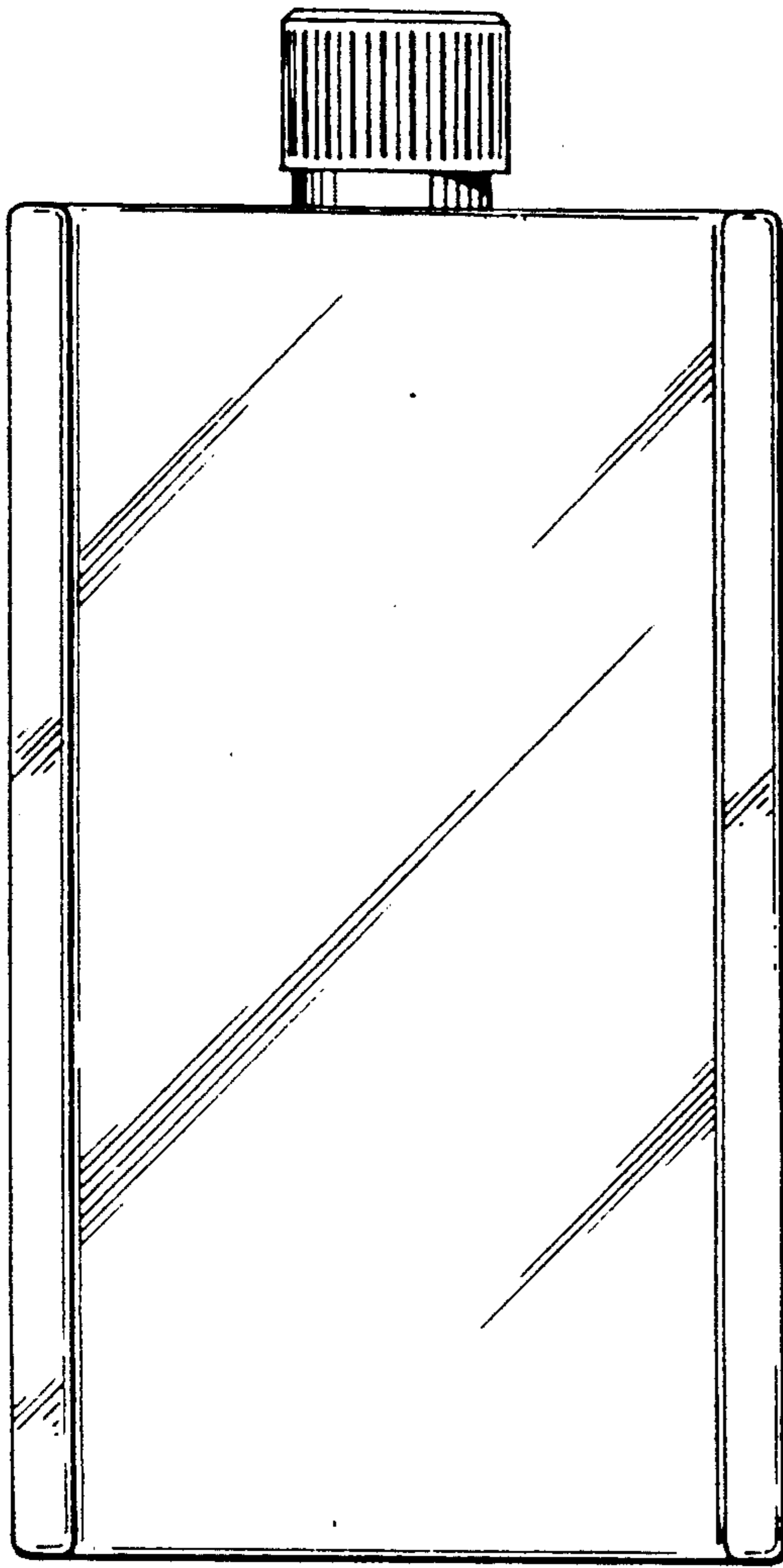
**Fig. 3**



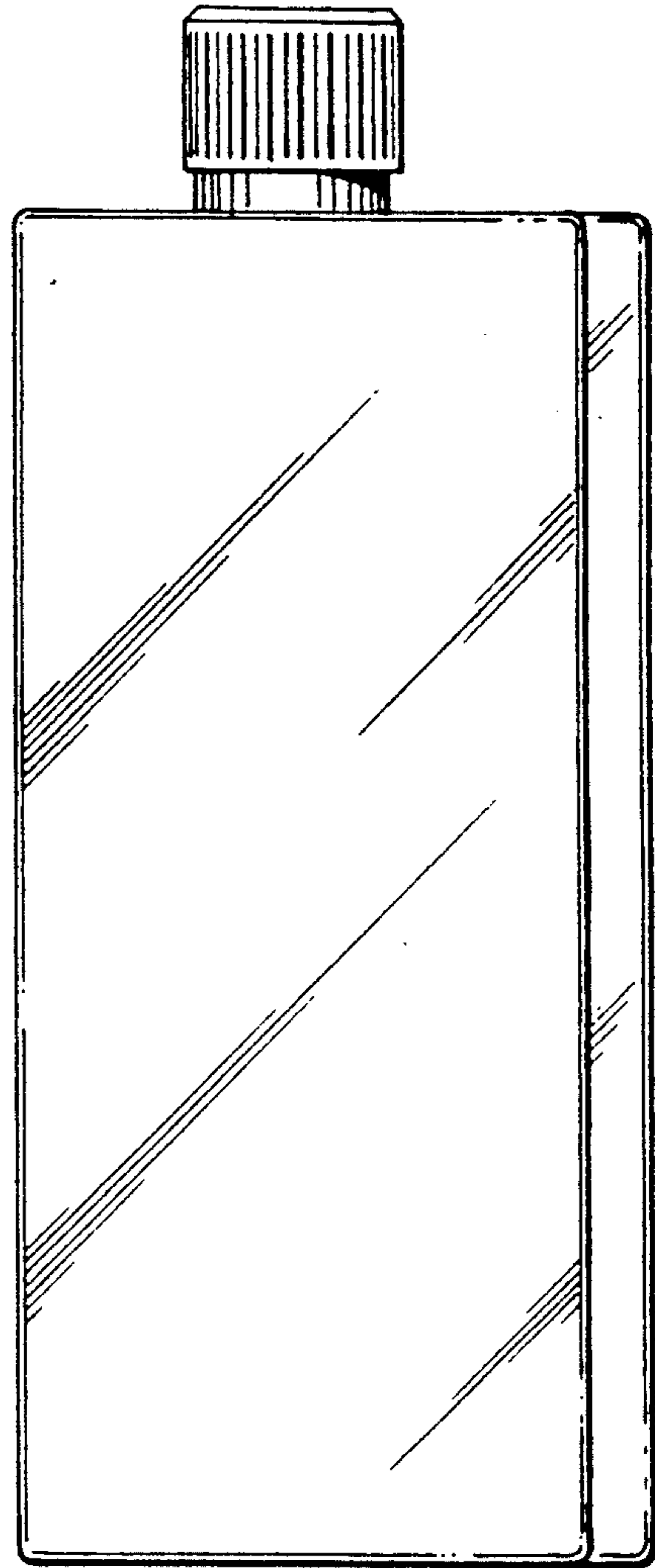
**Fig. 4**



**Fig. 5**



*Fig. 6*



*Fig. 7*

*Fig. 8*

