



US00D349044S

United States Patent [19]

[11] Patent Number: **Des. 349,044**

Burdick et al.

[45] Date of Patent: **** Jul. 26, 1994**

[54] **TABLE TOP SUPPORT ARM**

1,319,025 10/1919 Beam 248/252 X
1,540,677 6/1925 Balmer D6/511 X

[75] Inventors: **Bruce Burdick; Susan K. Burdick,**
both of San Francisco, Calif.

Primary Examiner—Wallace R. Burke
Assistant Examiner—H. Baynham
Attorney, Agent, or Firm—Saidman Design Law Group

[73] Assignee: **The Burdick Group, San Francisco,**
Calif.

[57] **CLAIM**

[**] Term: **14 Years**

The ornamental design for a table top support arm, as shown and described.

[21] Appl. No.: **841,754**

[22] Filed: **Feb. 28, 1992**

DESCRIPTION

[52] U.S. Cl. **D8/380; D8/381**

[58] Field of Search **D8/380-381;**
D6/511; 248/235, 251, 252, 254

FIG. 1 is a right side elevational view of a table top support arm showing our new design; FIG. 2 is a front elevational view thereof; FIG. 3 is a top plan view thereof; FIG. 4 is a left side elevational view thereof; FIG. 5 is a rear view in elevational thereof; FIG. 6 is a bottom plan view thereof; FIG. 7 is a top and side perspective view thereof; and, FIG. 8 is a bottom and side perspective view thereof. The broken lines shown in FIGS. 1-8 are environmental only and outline portions of our table top support arm which are hidden in normal use and therefore form no part of the claimed design. The solid jagged lines in FIG. 1-8 represent indefinite edges.

[56] **References Cited**

U.S. PATENT DOCUMENTS

D. 21,929	10/1892	Matthews	D8/363
D. 56,523	11/1920	Cloutier	D8/380 X
D. 99,442	4/1936	Levy	D8/381
D. 136,137	8/1943	Teninty	D8/380 X
D. 310,165	8/1990	Cobb	D8/381
925,003	6/1909	Loehr	248/252
969,051	8/1910	Garraway et al.	248/254
1,027,270	5/1912	Montgomery	248/254

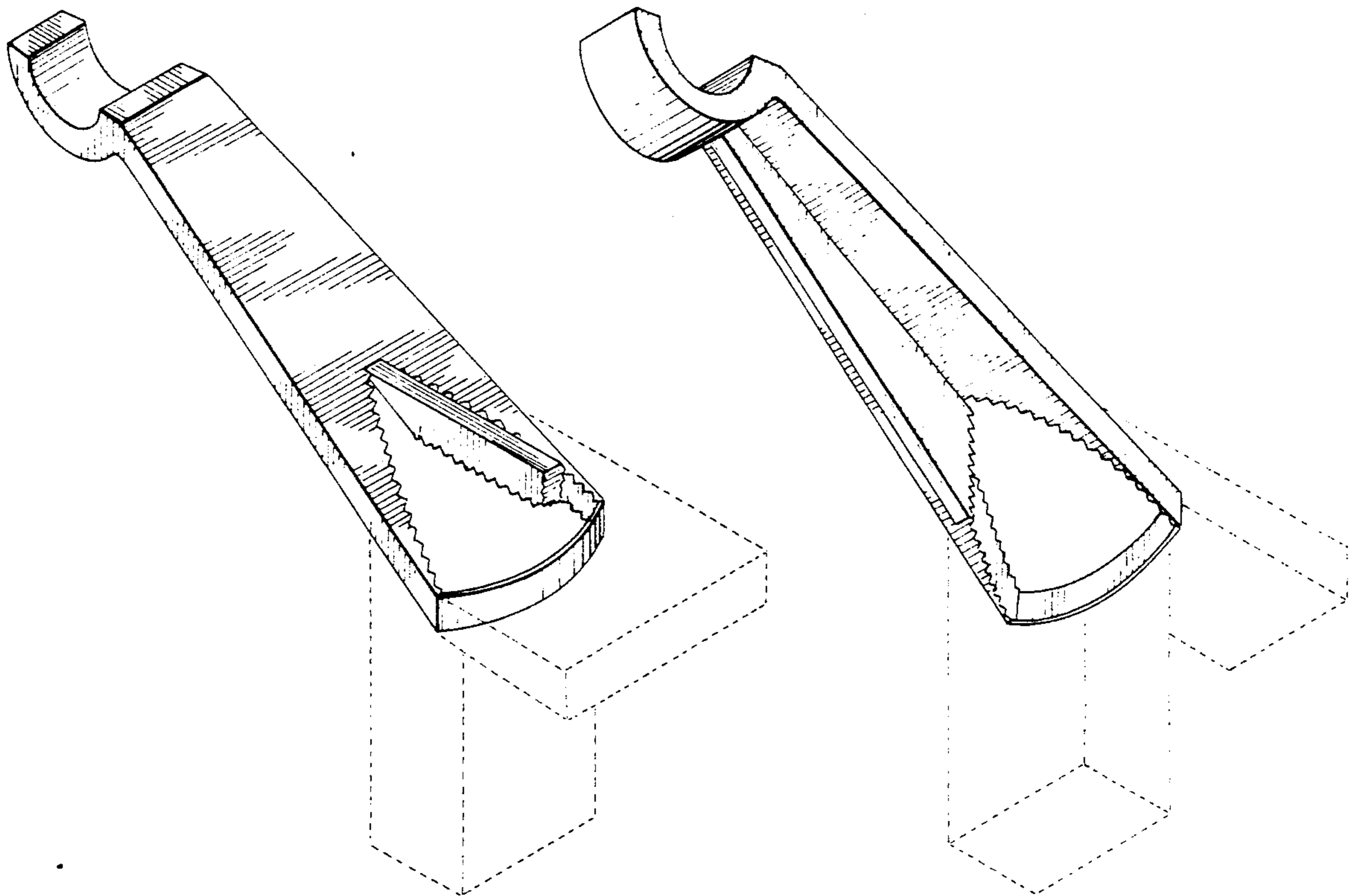


FIG. 2

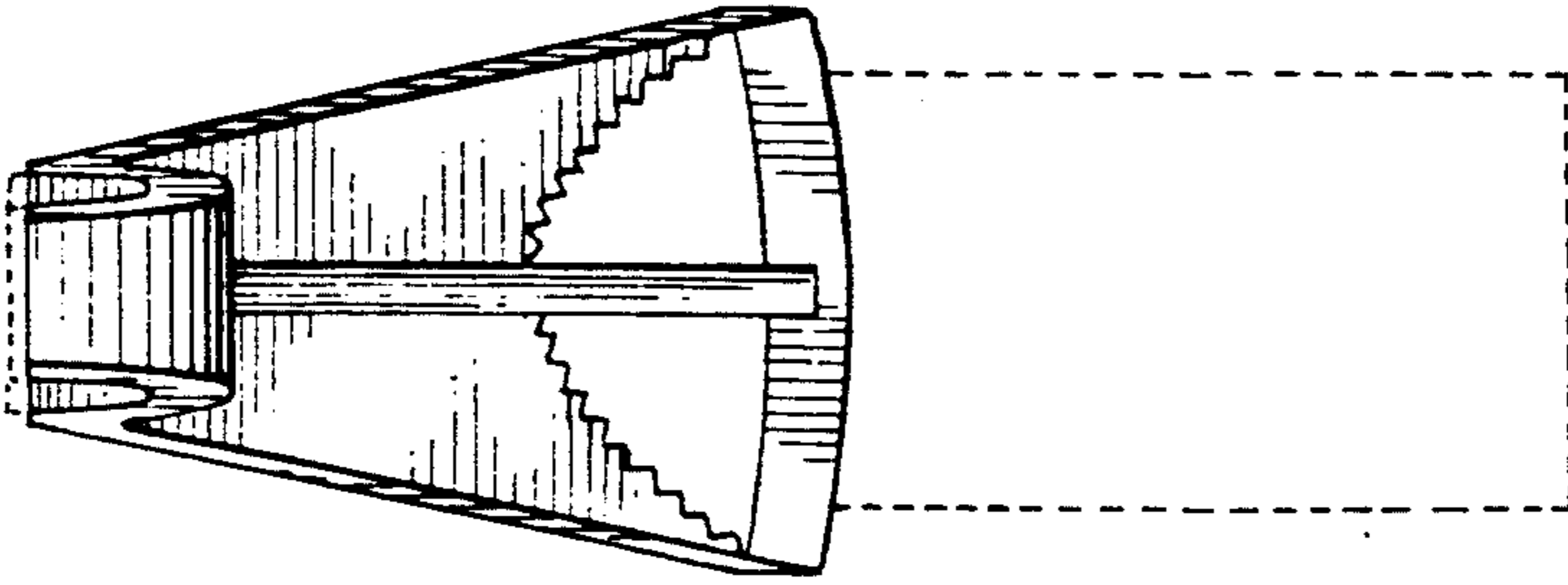


FIG. 1

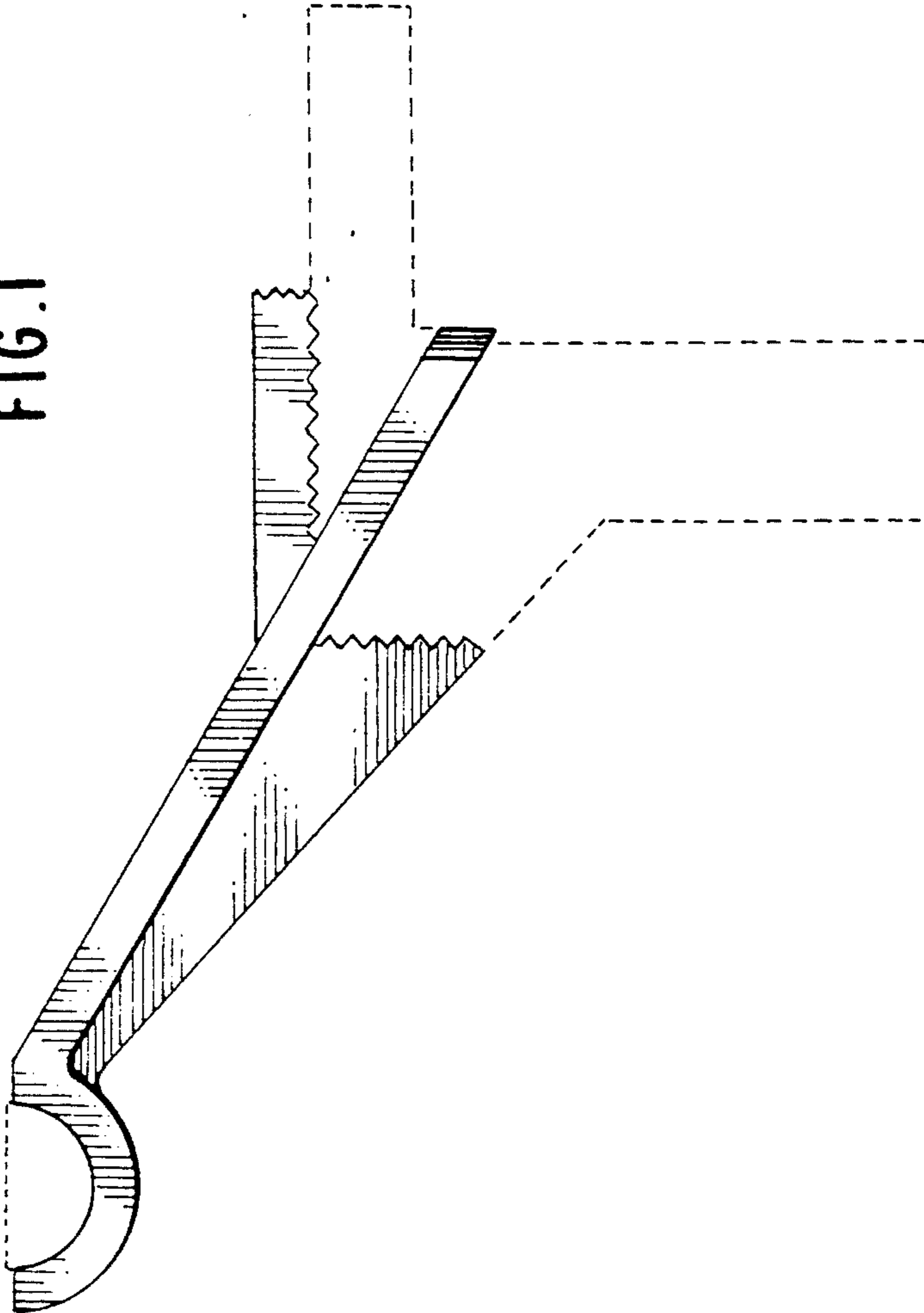


FIG. 3

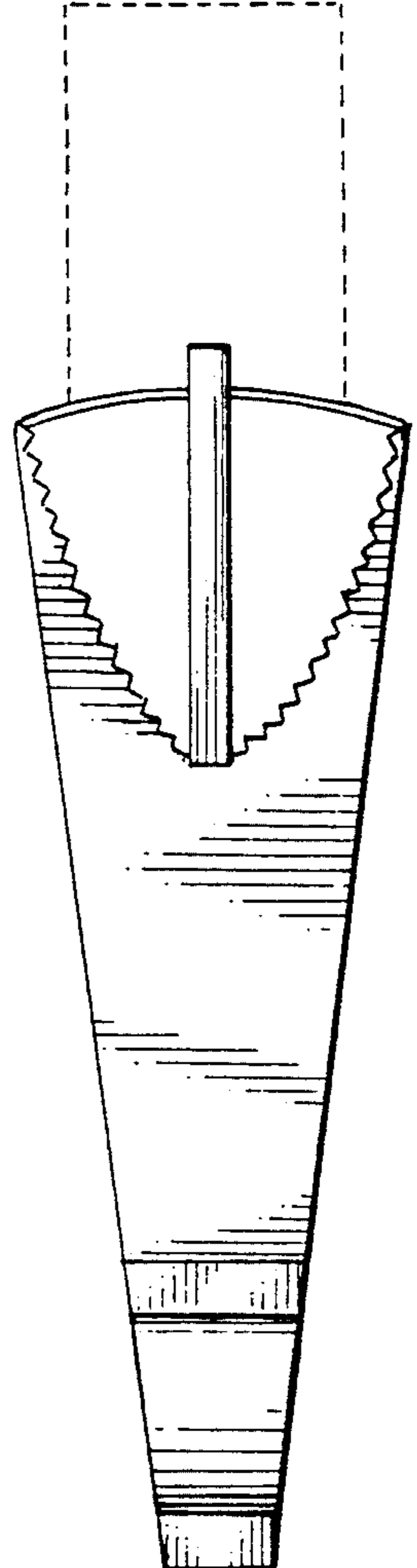


FIG. 5

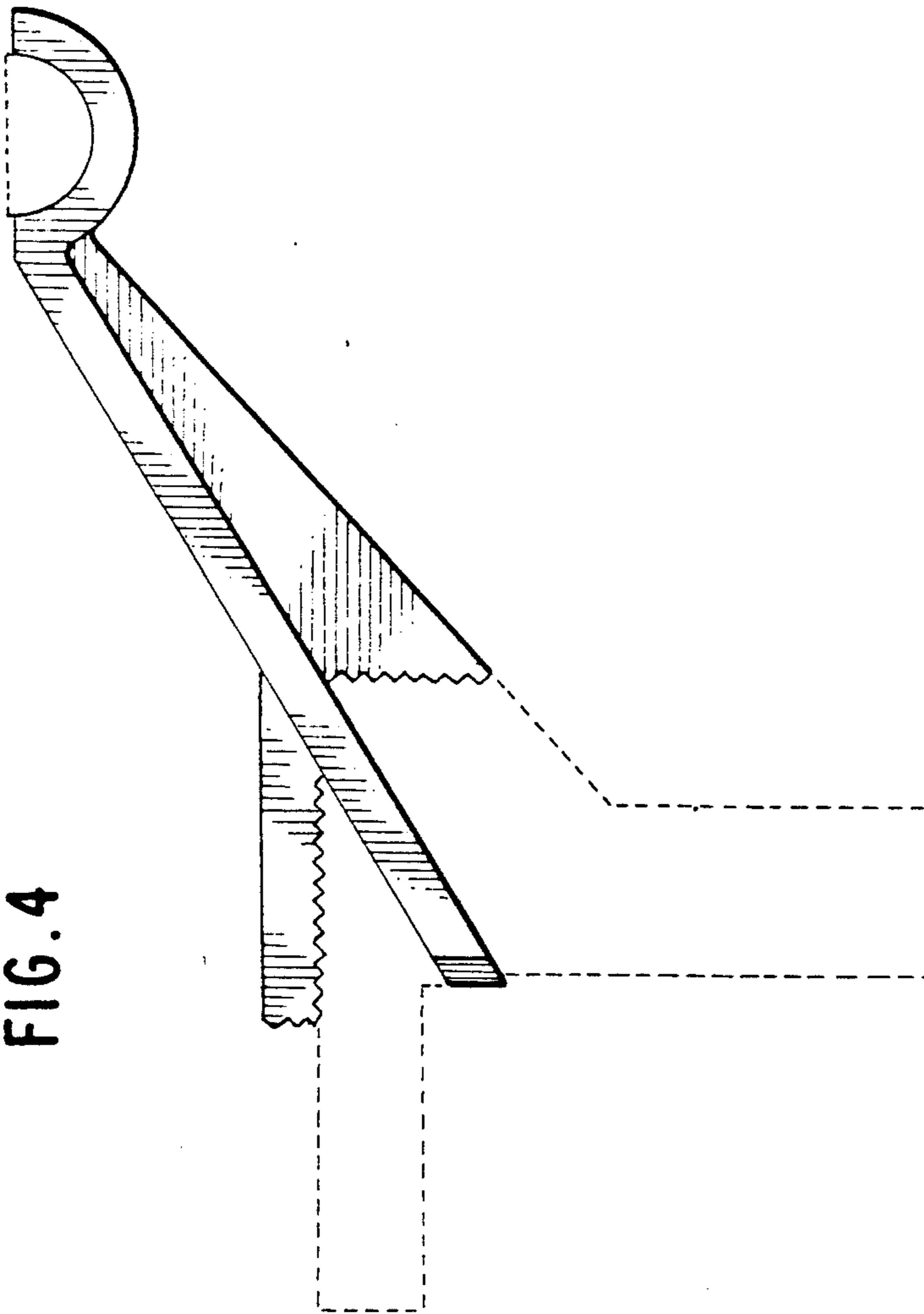
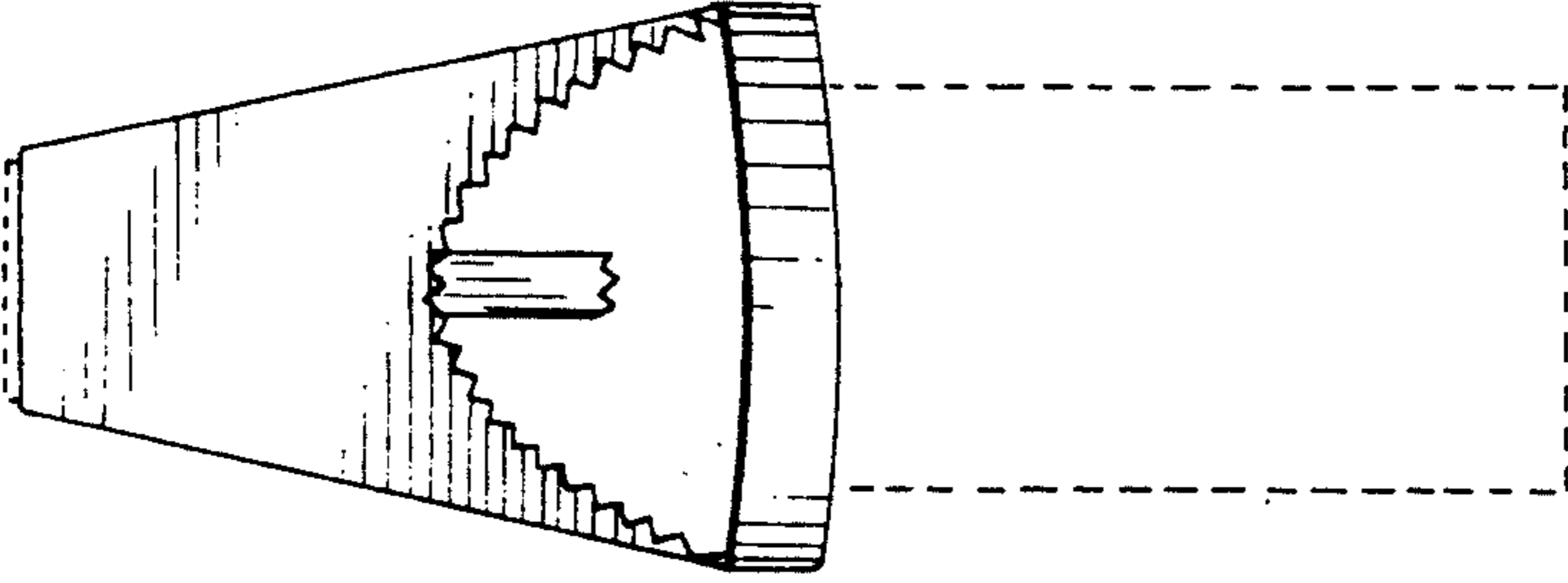
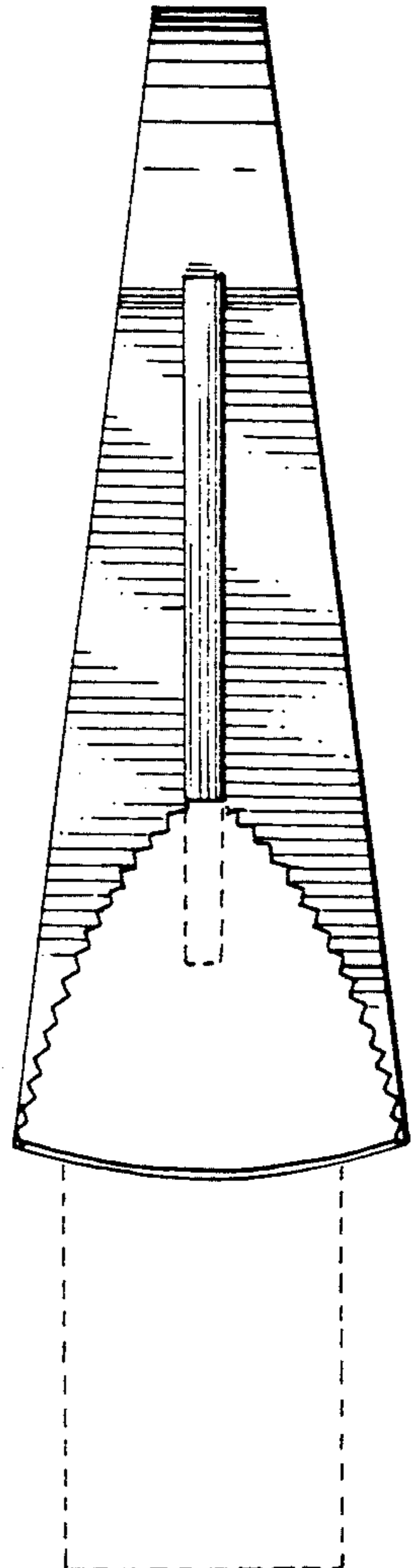


FIG. 4

FIG. 6



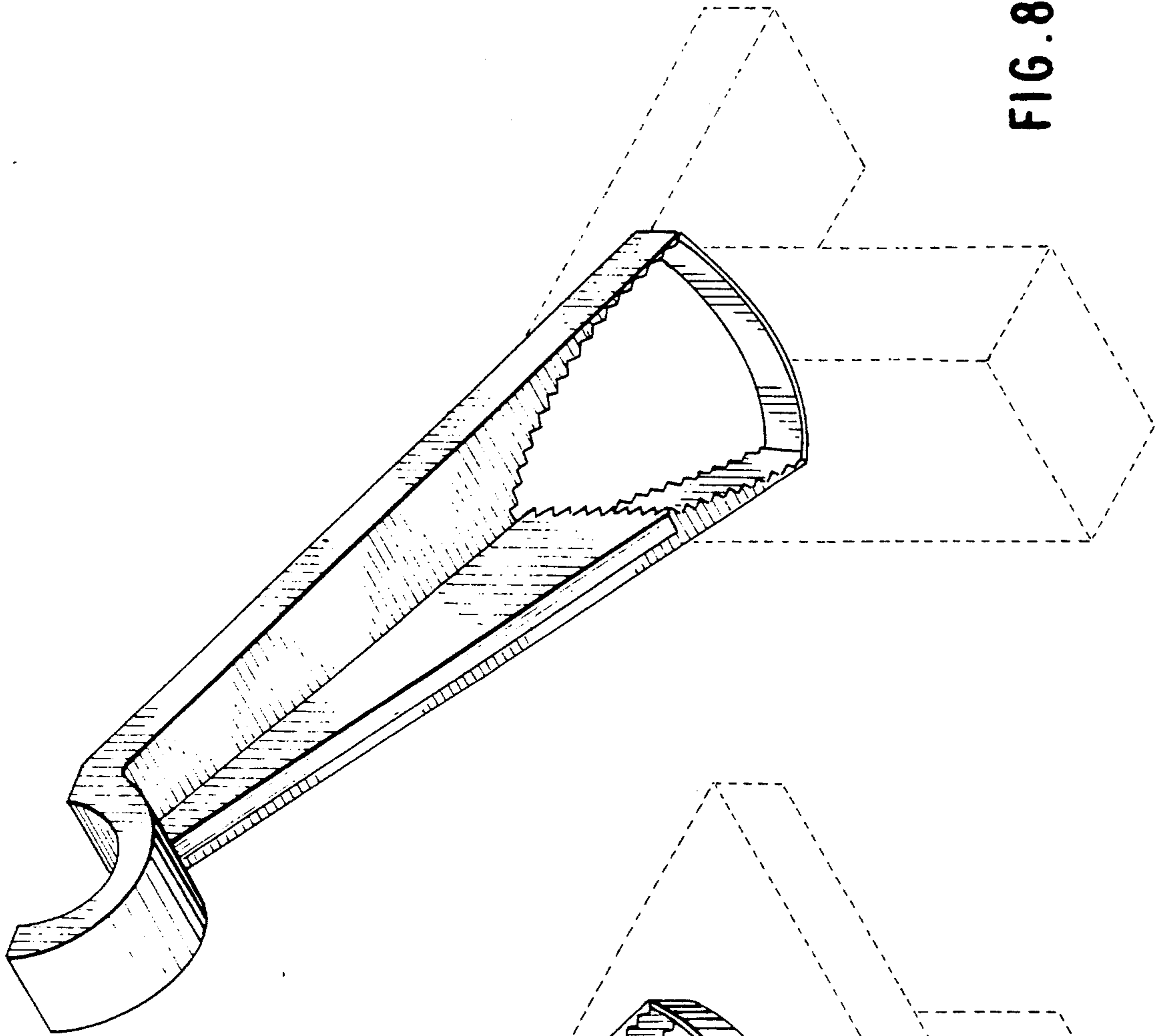


FIG. 8

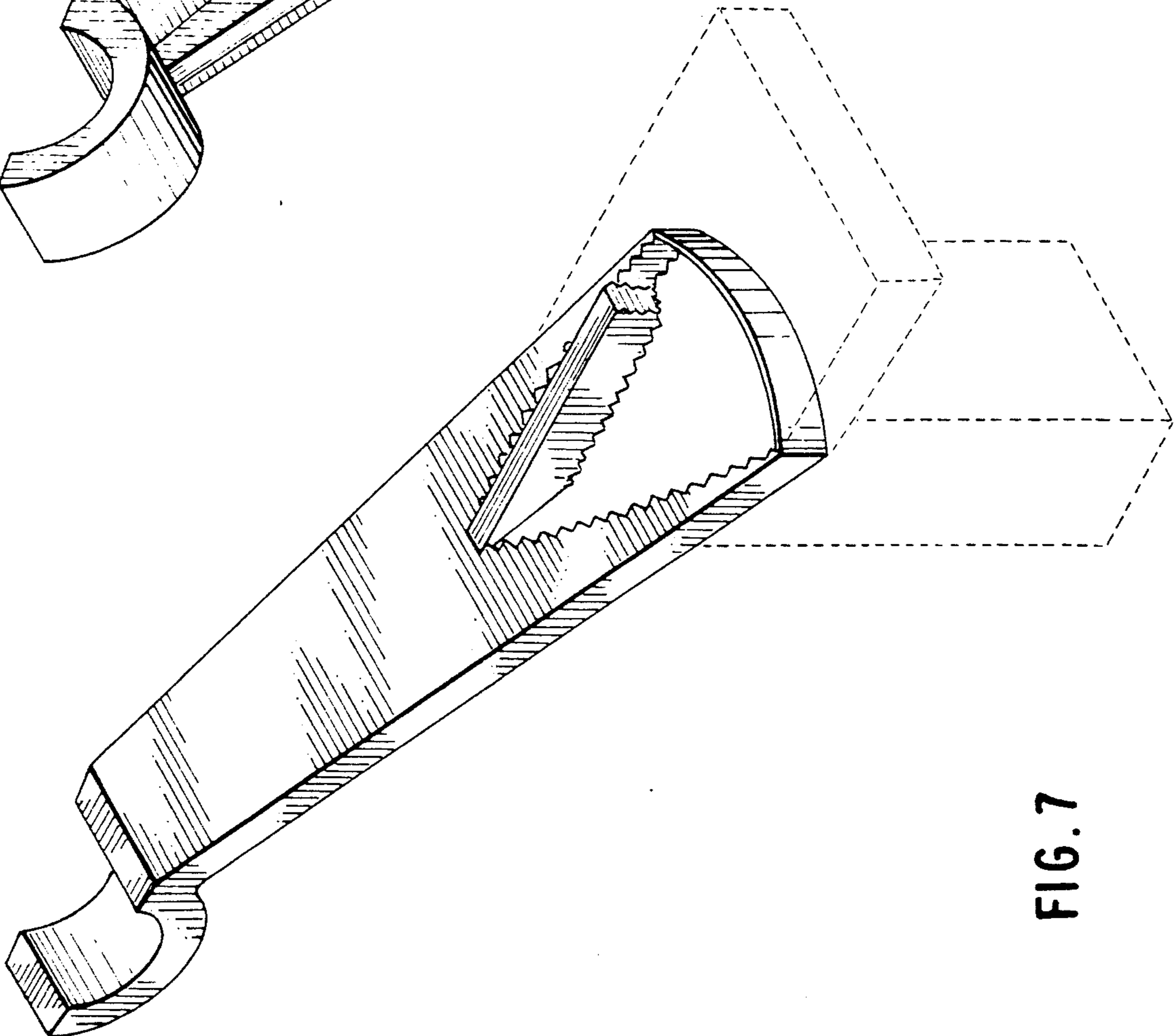


FIG. 7