



US00D349043S

# United States Patent [19]

[11] Patent Number: Des. 349,043

Carlson et al.

[45] Date of Patent: \*\* Jul. 26, 1994

[54] CASTER

[75] Inventors: **Bradley J. Carlson**, Wilkes-Barre;  
**David A. Reppert**, Brodheads ville,  
both of Pa.

[73] Assignee: **Metro Industries, Inc.**, Reno, Nev.

[\*\*] Term: **14 Years**

[21] Appl. No.: **4,160**

[22] Filed: **Jan. 28, 1993**

[52] U.S. Cl. .... **D8/375**

[58] Field of Search ..... **D8/375; 16/18 R, 18 CG,  
16/45; 188/1.12**

[56] **References Cited**

### U.S. PATENT DOCUMENTS

D. 308,934	7/1990	Howell et al. ....	D8/375
D. 319,384	8/1991	Lange .....	D8/375
D. 329,011	9/1992	Block .....	D8/375
D. 334,136	3/1993	McCord et al. ....	D8/375
1,395,484	11/1921	Diss .	
1,861,539	6/1932	Lilly .	
1,896,978	2/1933	Hele-Shaw et al. .	
3,691,590	9/1972	Drabert .....	16/18
3,964,124	6/1976	Crawford .....	16/21
4,037,292	7/1977	Lapham .....	16/38
4,554,704	11/1985	Raffaeli .....	16/21
4,620,342	11/1986	Hausfels .....	16/18 R
4,658,466	4/1987	Vollberg et al. ....	16/35 R
4,805,259	2/1989	Kassai .....	16/35 R
4,815,161	3/1989	Timmer et al. ....	16/35 R
4,835,815	6/1989	Mellwig et al. ....	16/35 R
4,941,552	7/1990	Screen .....	188/1.12
4,985,960	1/1991	Zun .....	16/35 R
5,244,062	9/1993	Felton .....	188/1.12

### FOREIGN PATENT DOCUMENTS

2943697	5/1981	Fed. Rep. of Germany .
3513068	10/1986	Fed. Rep. of Germany .
40114	6/1968	Finland .
1150617	4/1969	United Kingdom .

### OTHER PUBLICATIONS

Colson Brochure, 1986, cover page, caster in middle of page.

Colson Europe catalog, Dec. 6, 1989, p. 9, caster, item A at left of page.

Colson Brochure Dec. 6, 1989, p. 2, caster, located at top right of page.

Wheels and Castors, Dieter Weckerle, Verlag Moderne Industrie, Albert Schulte Sohne, pp. cover, 7, 9, 14-16, 19-20, 22, 24, 26-27, 29-31, 46-50, 55, 61 (1992).

*Primary Examiner*—Wallace R. Burke

*Assistant Examiner*—H. Baynham

*Attorney, Agent, or Firm*—Fitzpatrick, Cella, Harper & Scinto

### [57] CLAIM

The ornamental design for a caster, as shown and described.

### DESCRIPTION

FIG. 1 is a left front perspective view of a first embodiment of a caster embodying our new design;

FIG. 2 is a left side elevational view thereof;

FIG. 3 is a front elevational view thereof;

FIG. 4 is a rear elevational view thereof;

FIG. 5 is a top plan view thereof;

FIG. 6 is a bottom plan view thereof;

FIG. 7 is a right side elevational view thereof;

FIG. 8 is a partial sectional view taken along line 8—8 of FIG. 5;

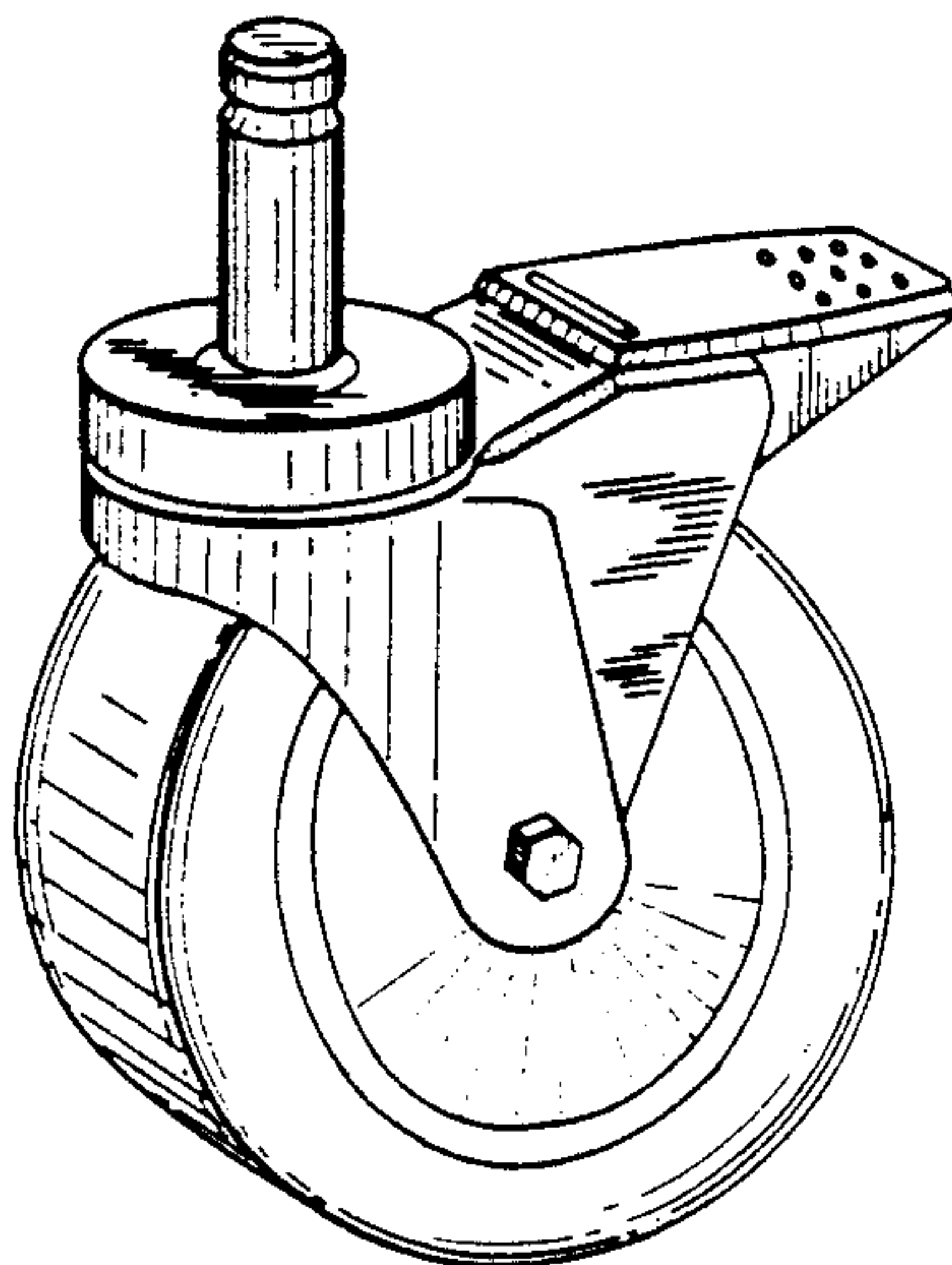
FIG. 9 is a left side elevational view of a second embodiment of the design shown in FIG. 1 with the right side elevational view being a mirror image thereof;

FIG. 10 is a front elevational view thereof; and,

FIG. 11 is a rear elevational view thereof.

The broken line showing of a partial caster wheel is for illustrative purposes only and forms no part of the claimed design.

The undisclosed top and bottom plan views of the second embodiment are identical to the top and bottom plan views shown in FIG. 5 and 6 of the first embodiment except for appearance of the wheel trim.



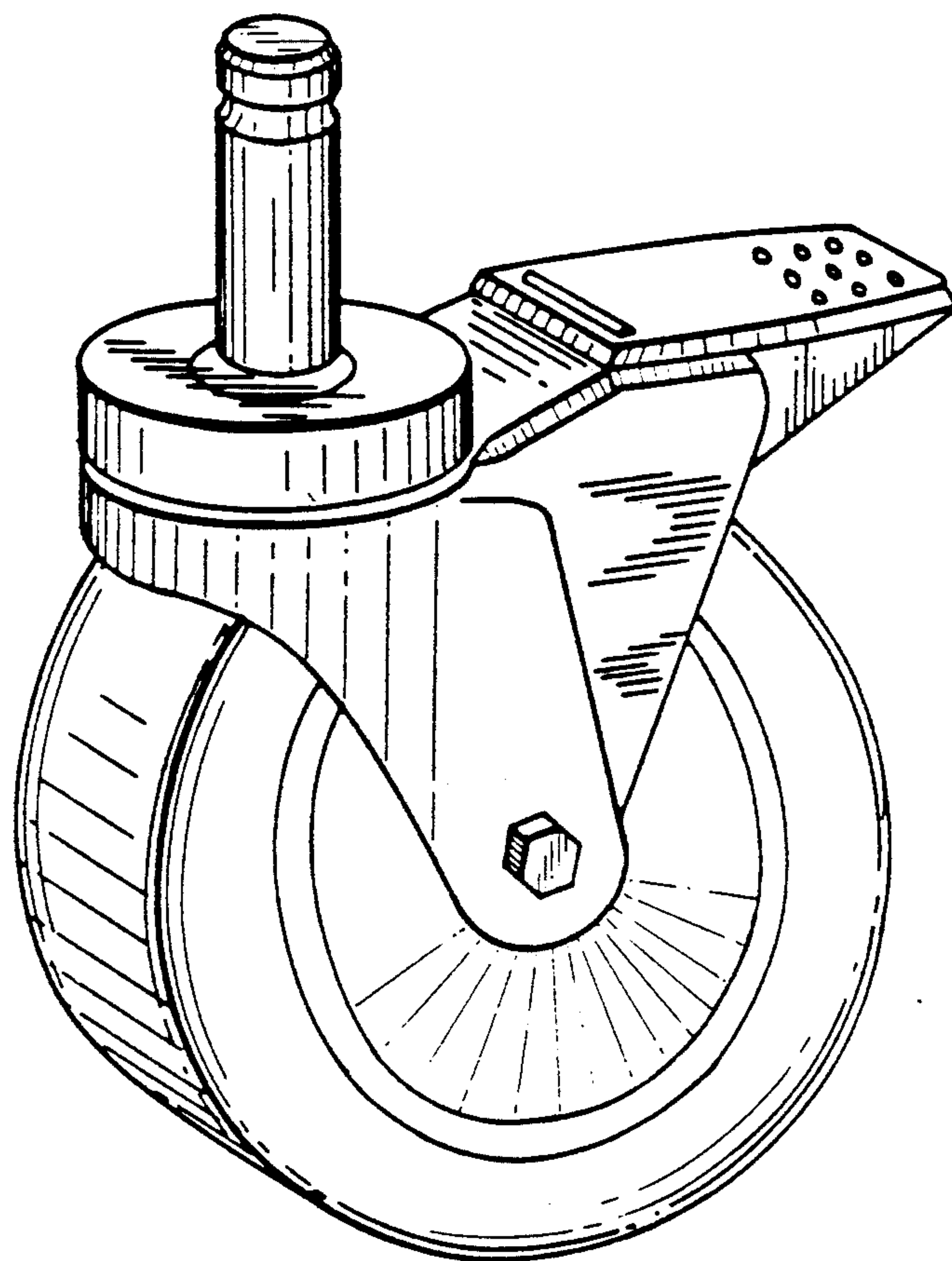


FIG. 1

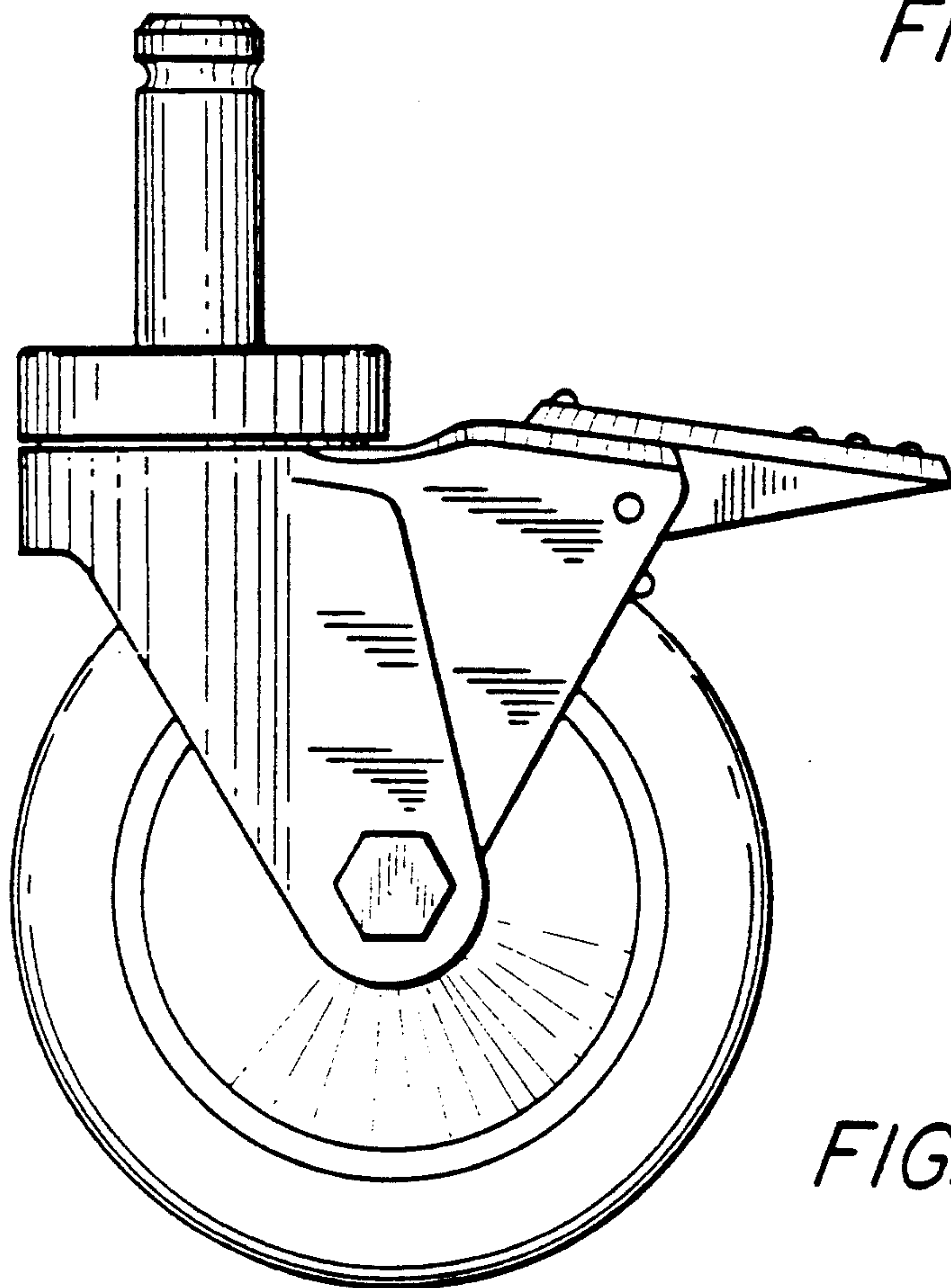


FIG. 2

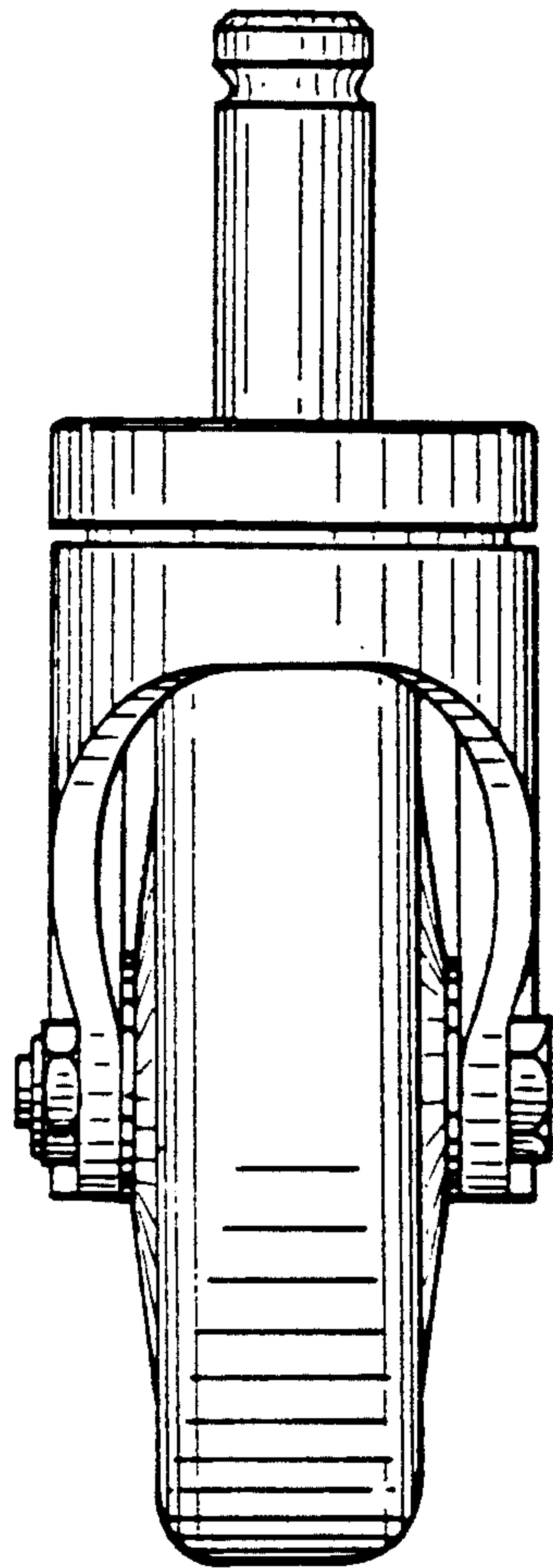


FIG. 3

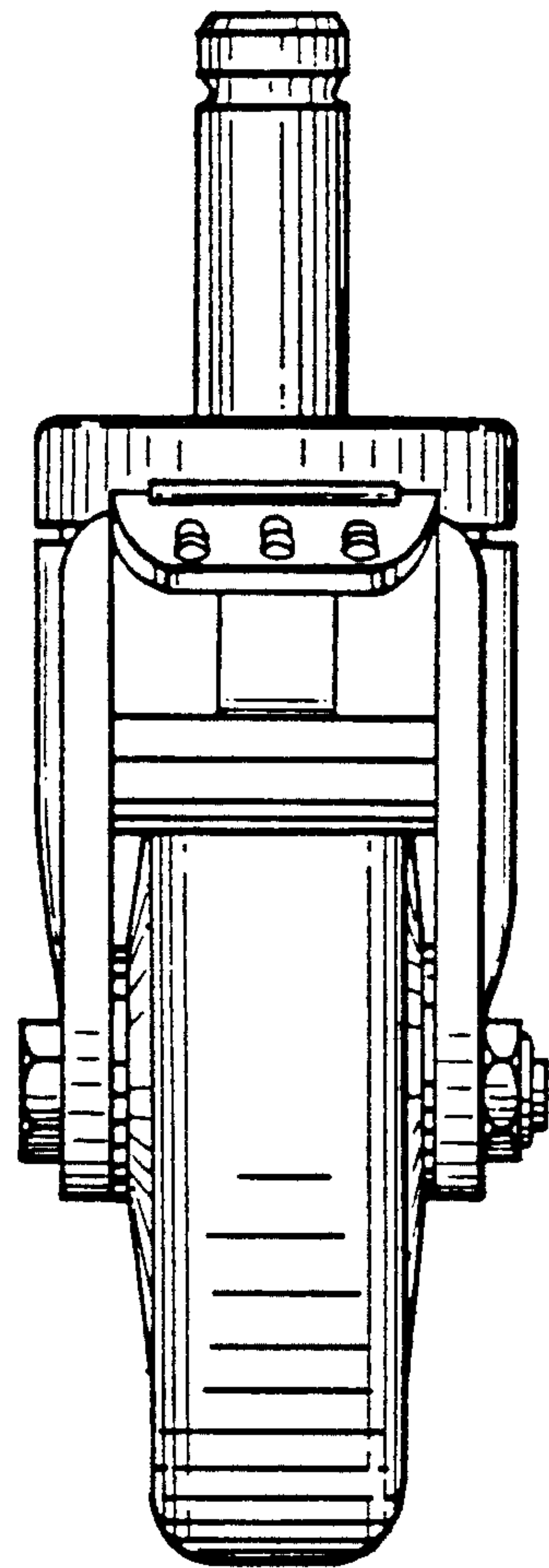


FIG. 4

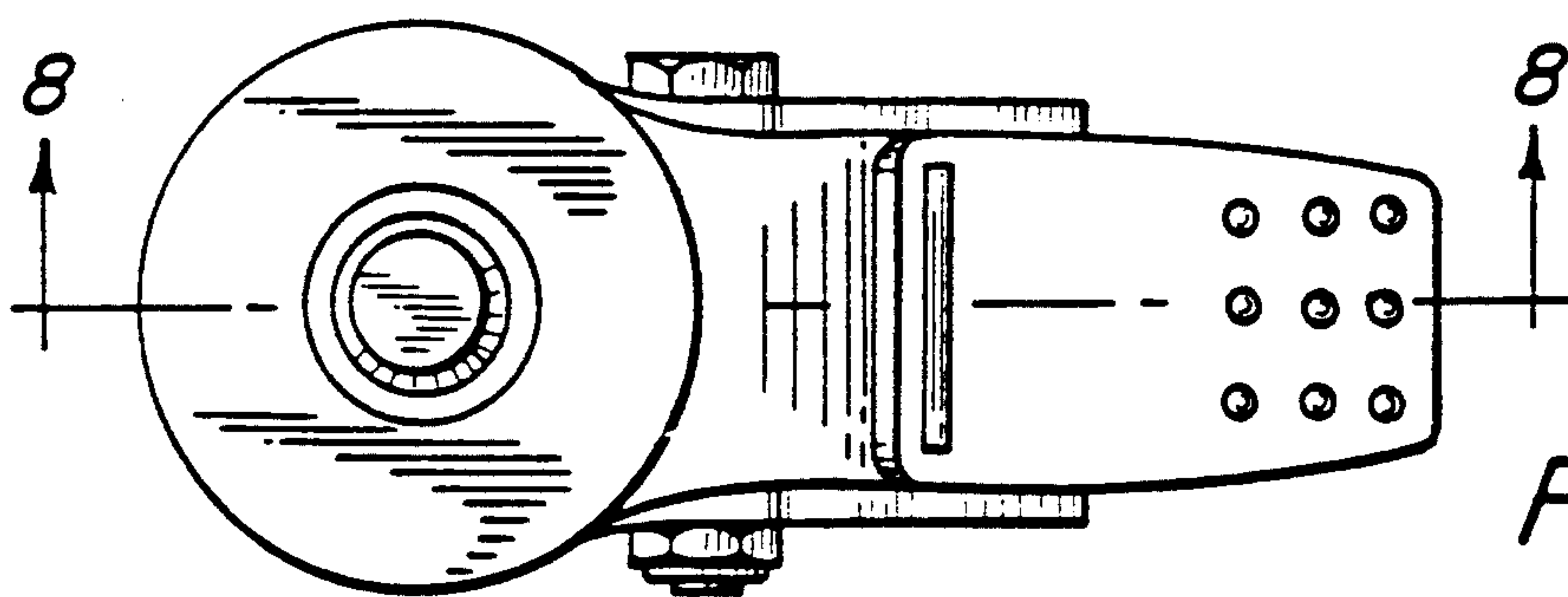


FIG. 5

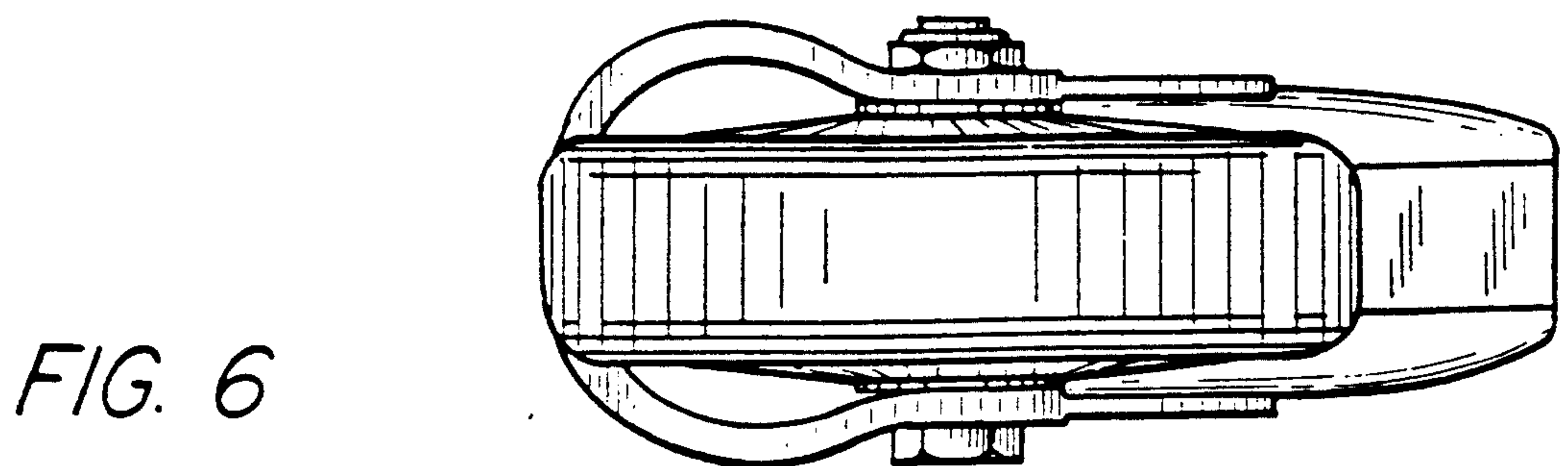


FIG. 6



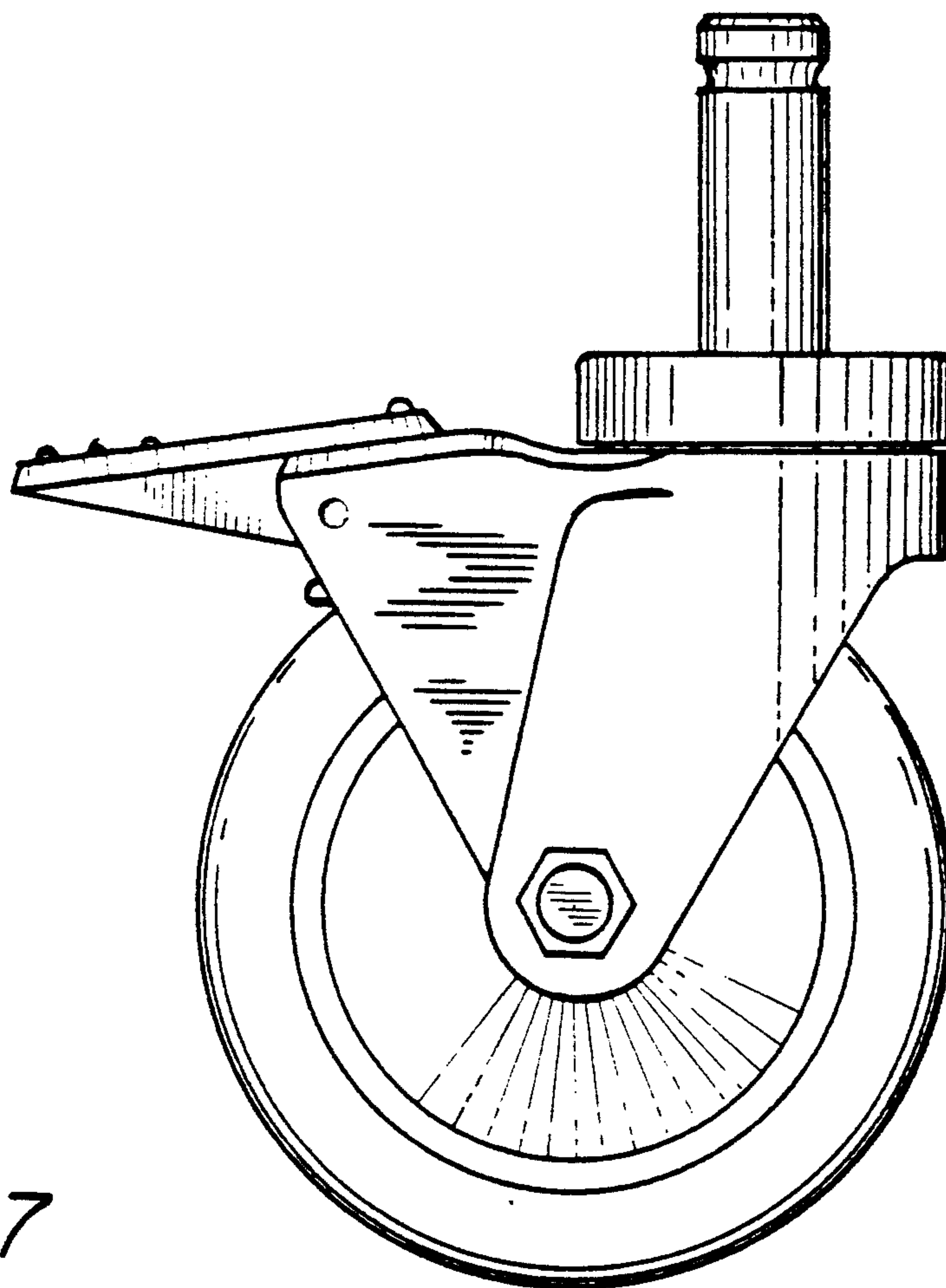


FIG. 7

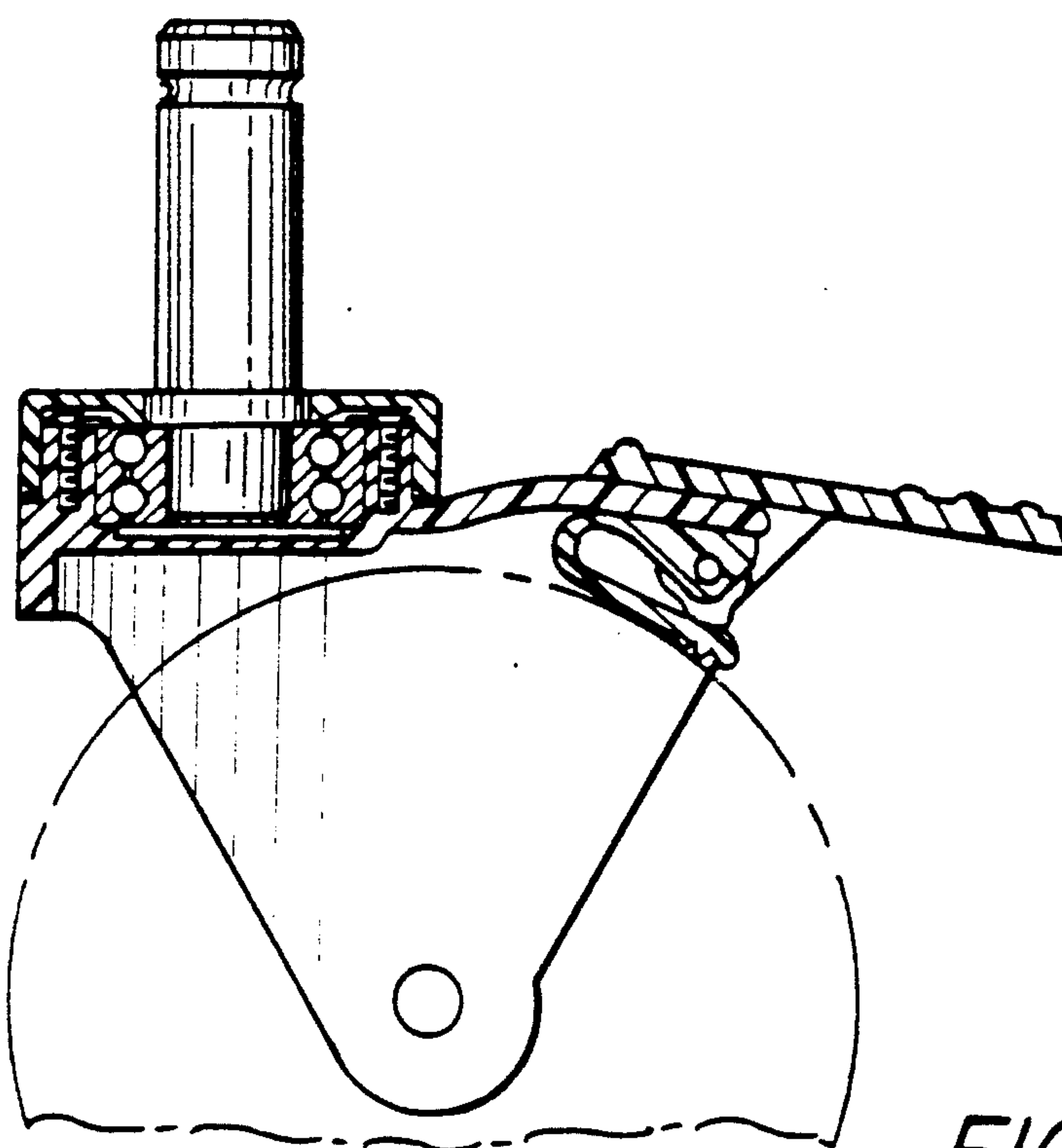


FIG. 8

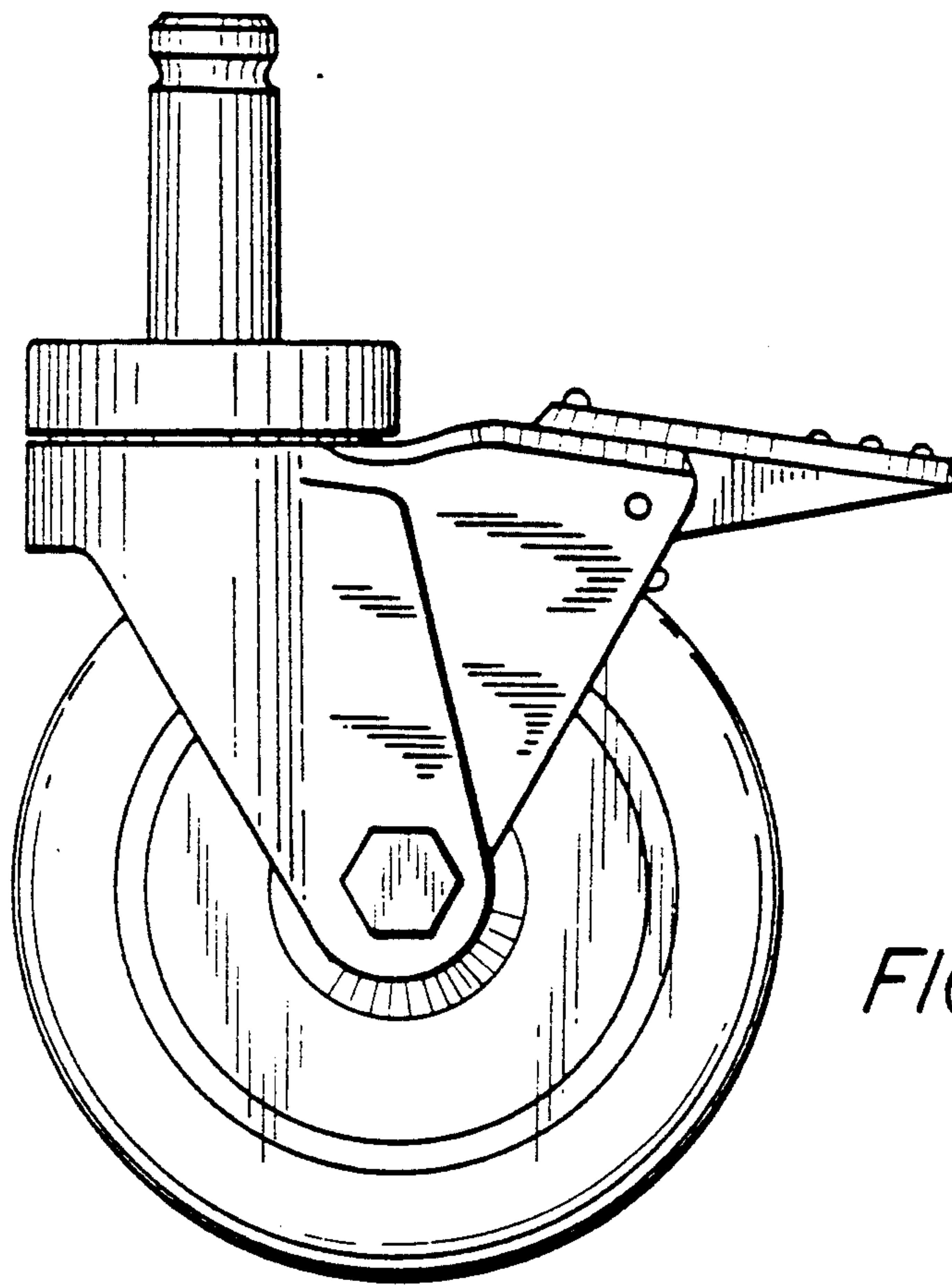


FIG. 9

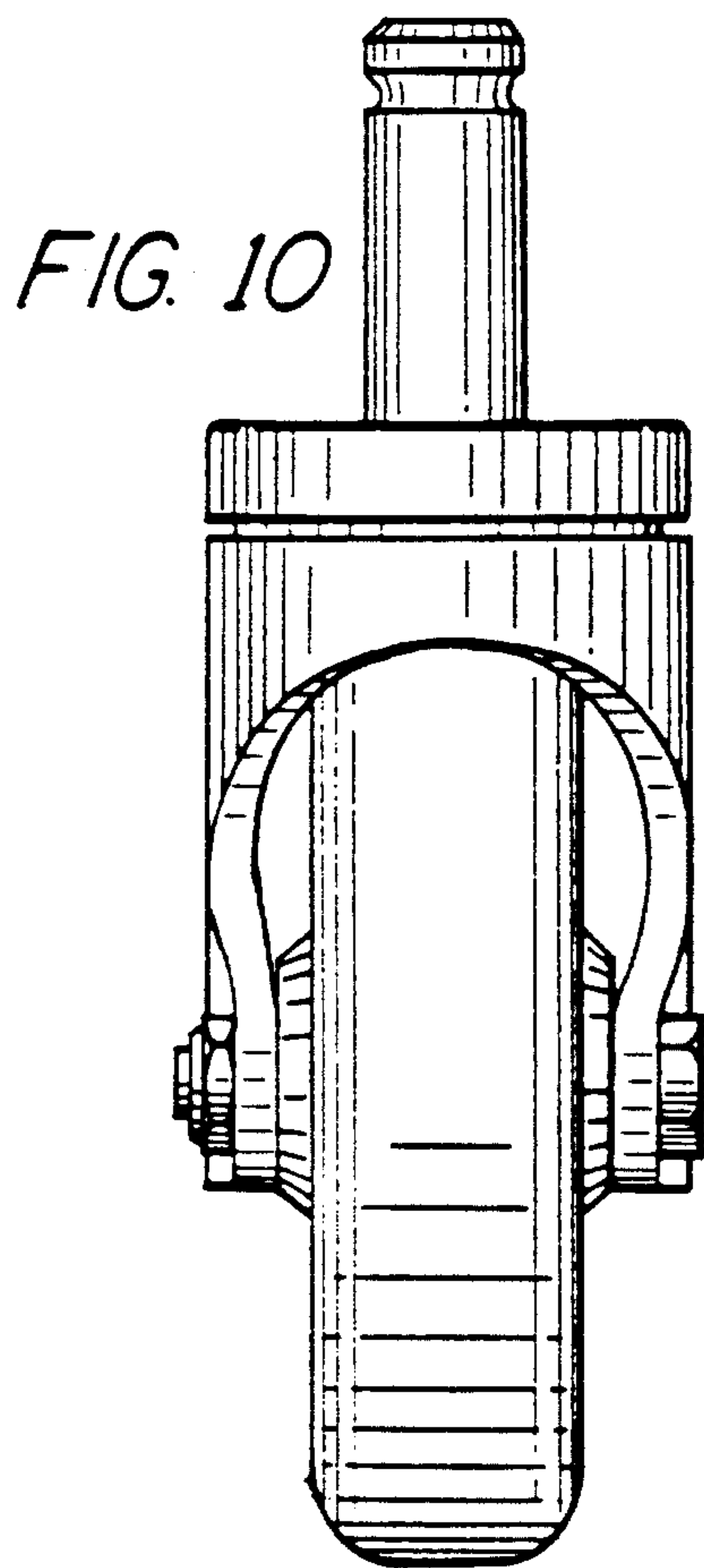


FIG. 10

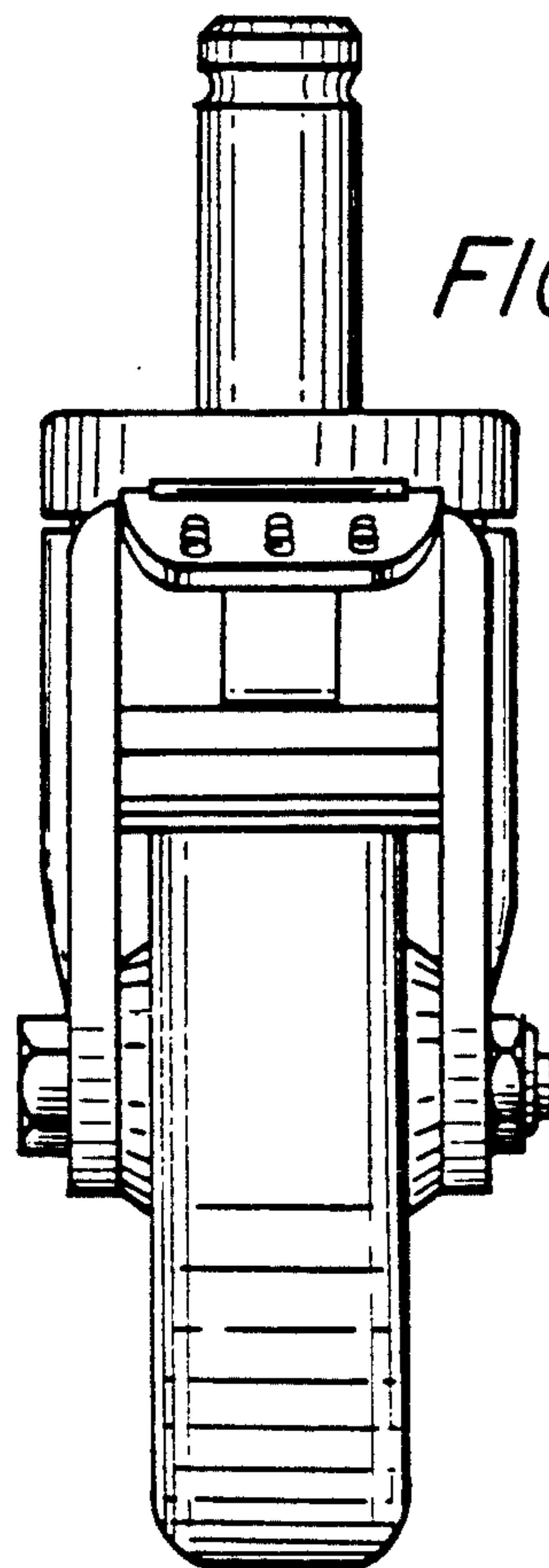


FIG. 11