



US00D349039S

# United States Patent [19]

Goodman et al.

[11] Patent Number: Des. 349,039

[45] Date of Patent: \*\* Jul. 26, 1994

[54] HOSE REEL

5,056,553 10/1991 Whitehead ..... 242/86 X

[75] Inventors: Sidney J. Goodman, Paramus, N.J.;  
John Maliskas, Newtown, Conn.

[73] Assignee: Melnor Inc., Moonachie, N.J.

[\*\*] Term: 14 Years

[21] Appl. No.: 886,016

[22] Filed: May 19, 1992  
(Under 37 CFR 1.47)

[52] U.S. Cl. .... D8/359; D34/24

[58] Field of Search ..... D8/358, 359; 242/86;  
137/355.27; D34/24, 26

[56] References Cited

### U.S. PATENT DOCUMENTS

D. 323,916	2/1992	Sanchez, Jr. et al. ....	D34/24
D. 328,173	7/1992	Nelson .....	D8/359 X
D. 330,506	10/1992	Clivio .....	D8/358 X
D. 330,847	11/1992	Clivio .....	D8/359
4,512,361	4/1985	Tisbo et al. ....	242/86
4,706,906	11/1987	Roman et al. ....	242/86
4,768,546	9/1988	Brusadin et al. ....	242/86 X
4,974,627	12/1990	Nelson .....	137/355.27
5,007,598	4/1991	Spear et al. ....	242/86

### OTHER PUBLICATIONS

Hardware Age, 1988, no page no., hose reel, located at bottom corner of page.

Suncrest catalog, 1987, no page no., hose reel cart, located in center of page.

Primary Examiner—Wallace R. Burke

Assistant Examiner—H. Baynham

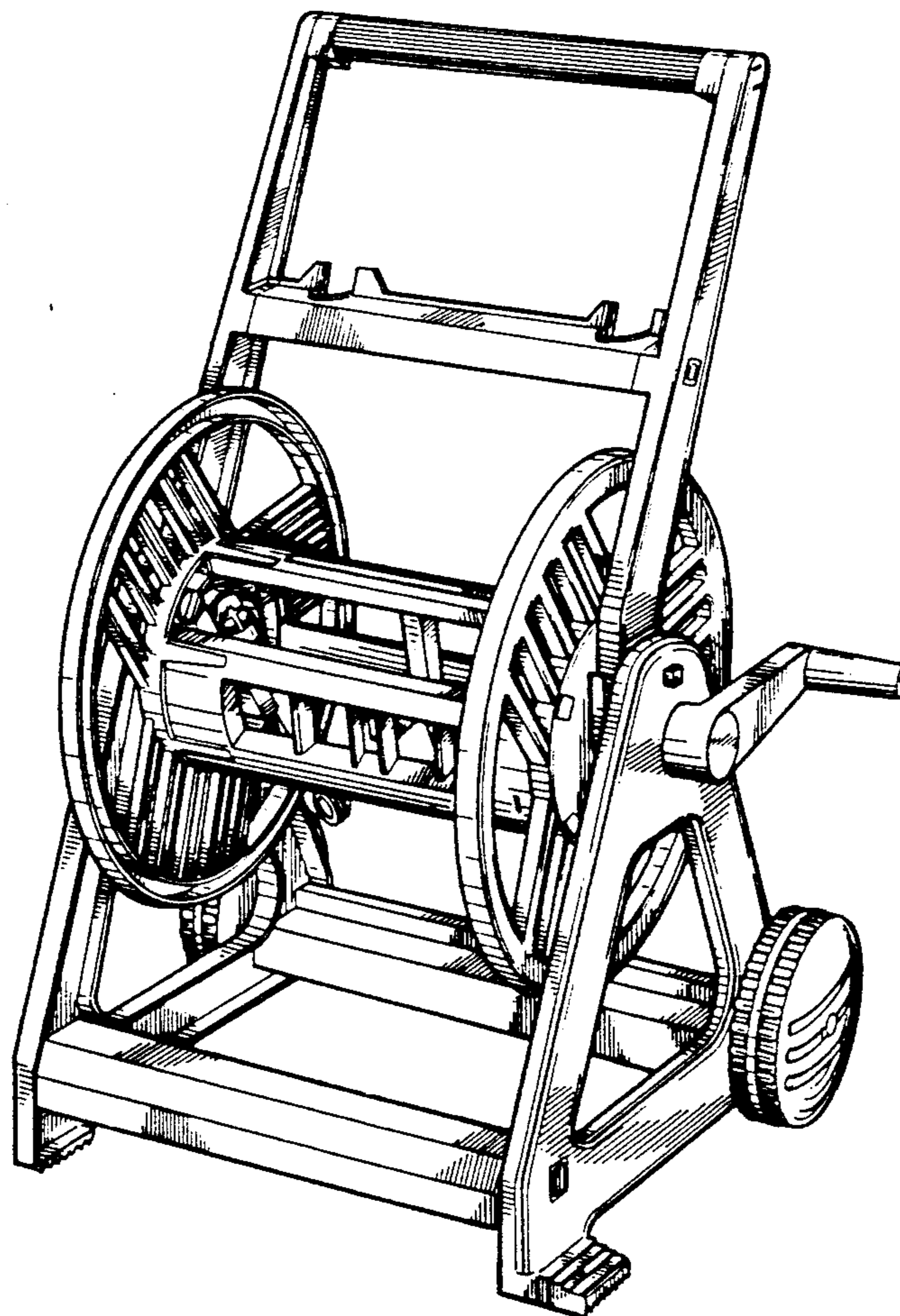
Attorney, Agent, or Firm—Heiskell, Donelson, Bearman, Adams, Williams & Caldwell

### [57] CLAIM

The ornamental design for a hose reel, as shown and described.

### DESCRIPTION

FIG. 1 is a perspective view of a hose reel showing the preferred embodiment of our new design; FIG. 2 is a right side elevational view thereof; FIG. 3 is a left side elevational view thereof; FIG. 4 is a front elevational view thereof; FIG. 5 is a rear elevational view thereof; FIG. 6 is a top plan view thereof; and, FIG. 7 is a bottom plan view thereof.



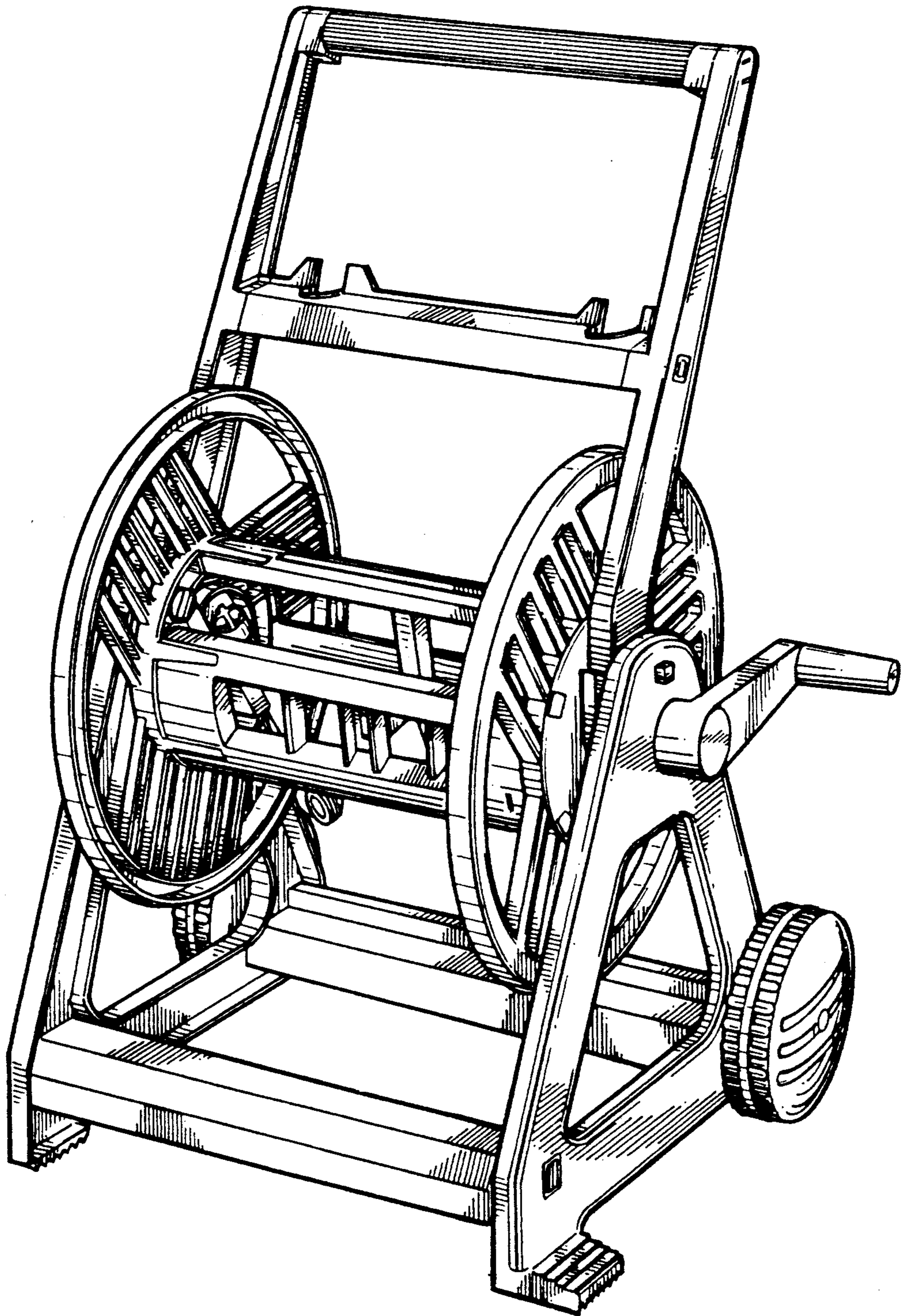


FIG. 1



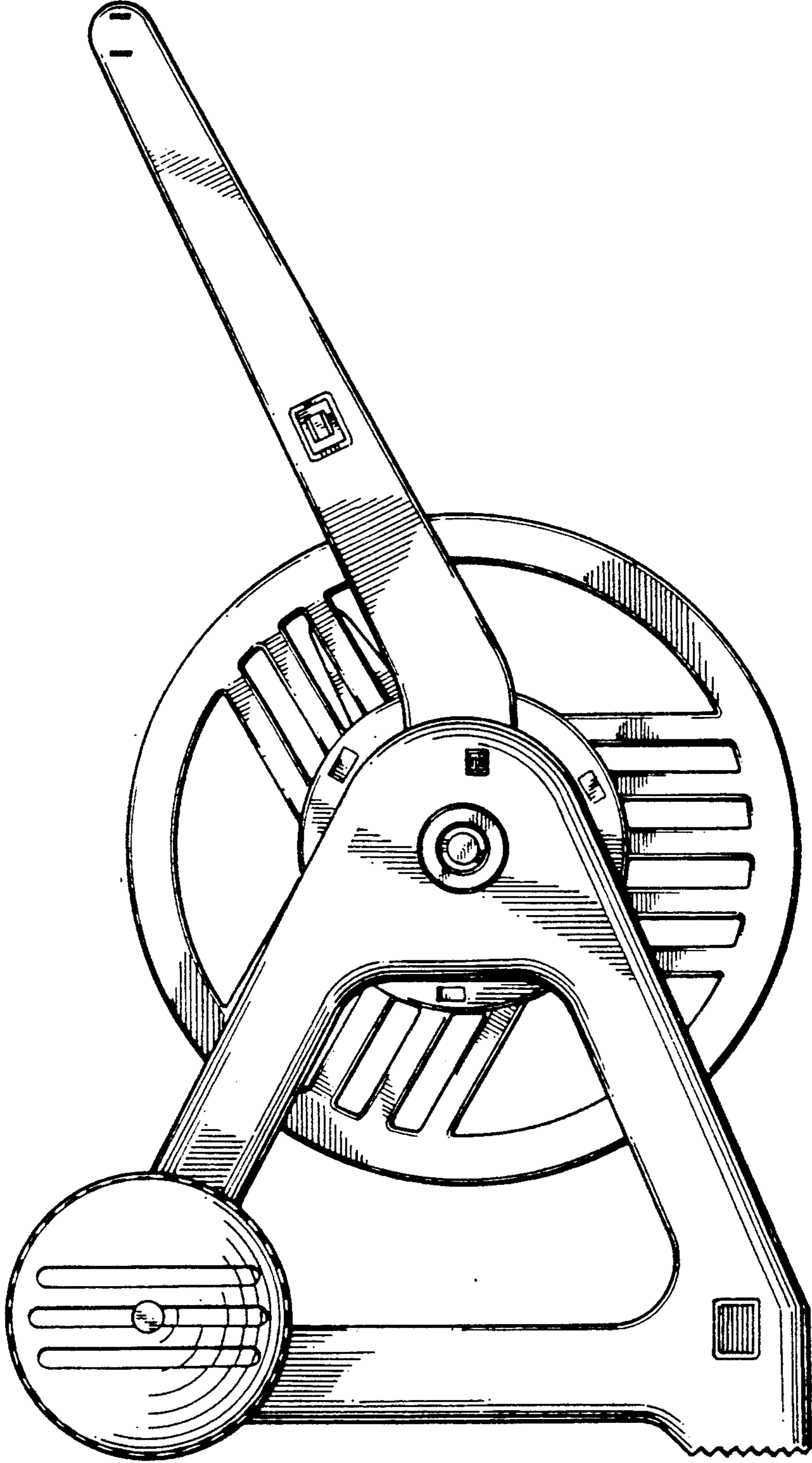


FIG. 2

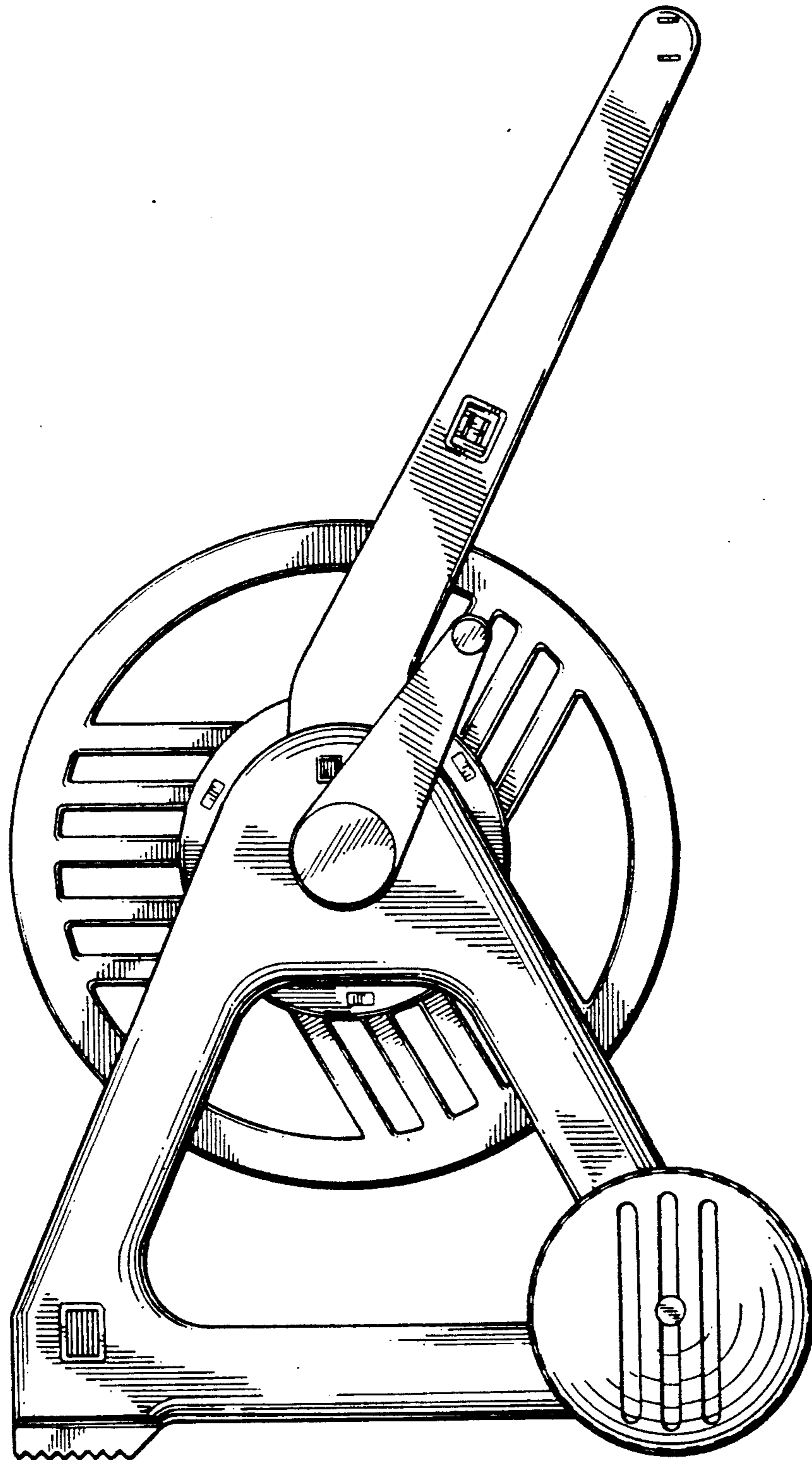


FIG. 3

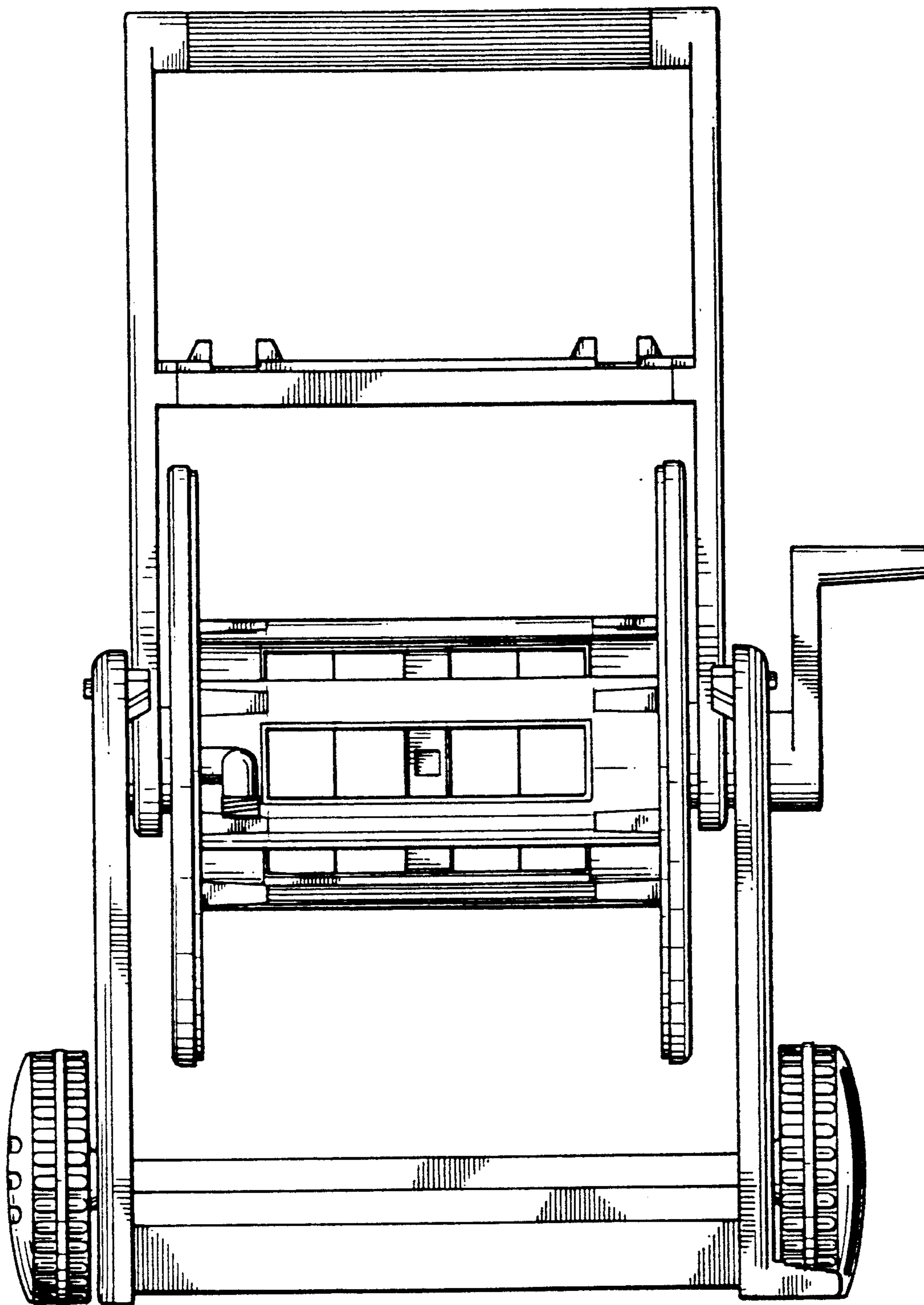


FIG. 4

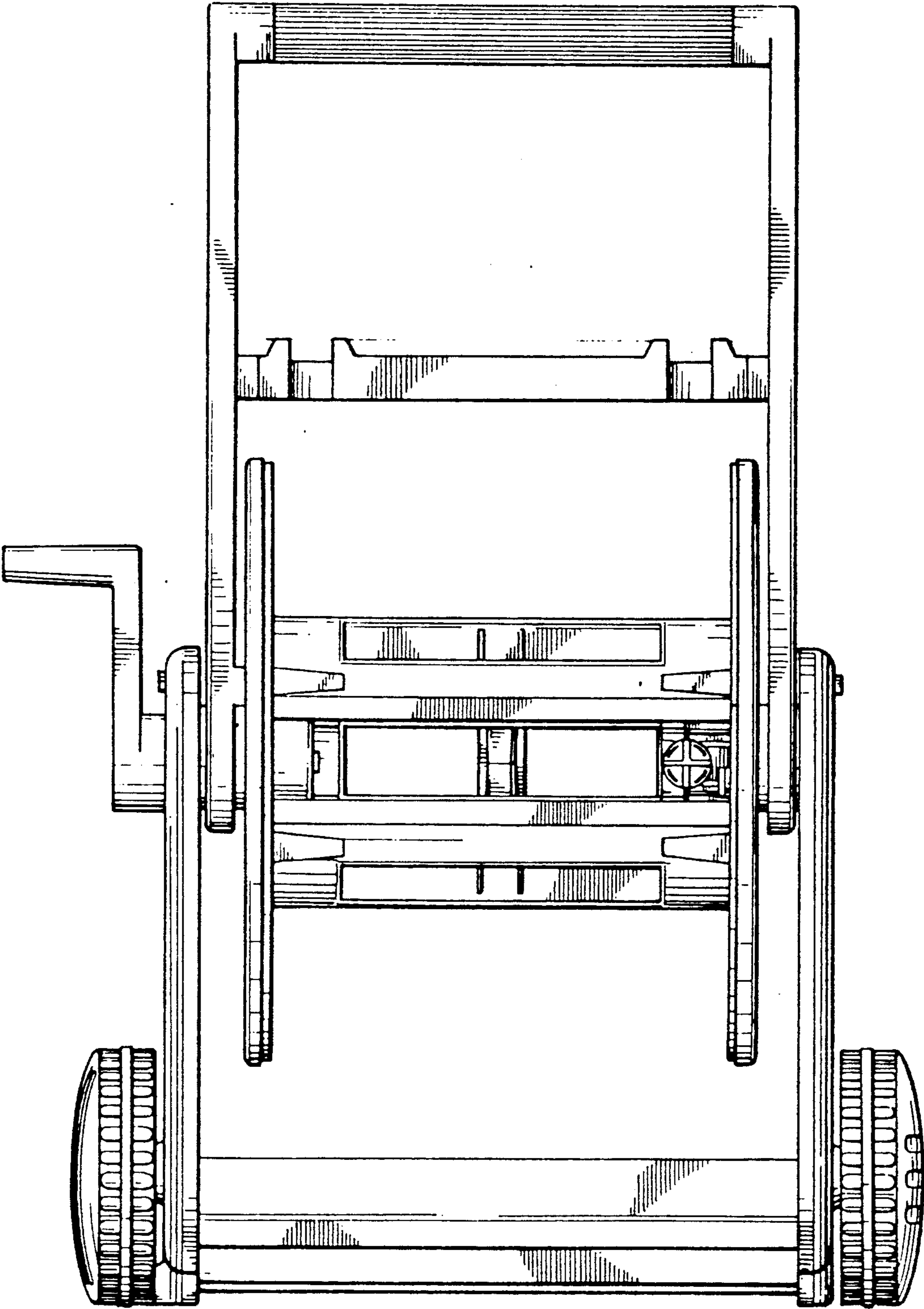


FIG. 5



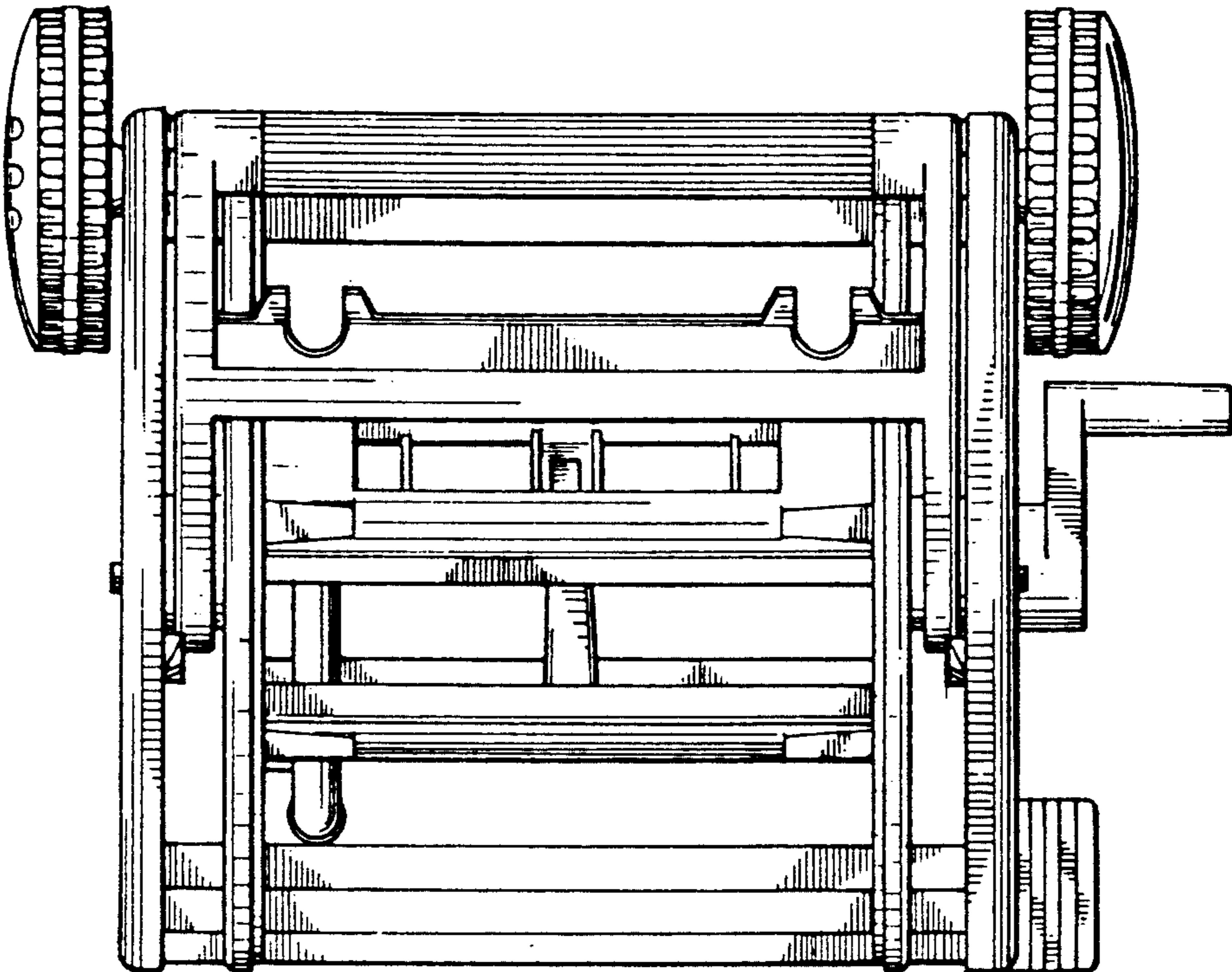


FIG. 6

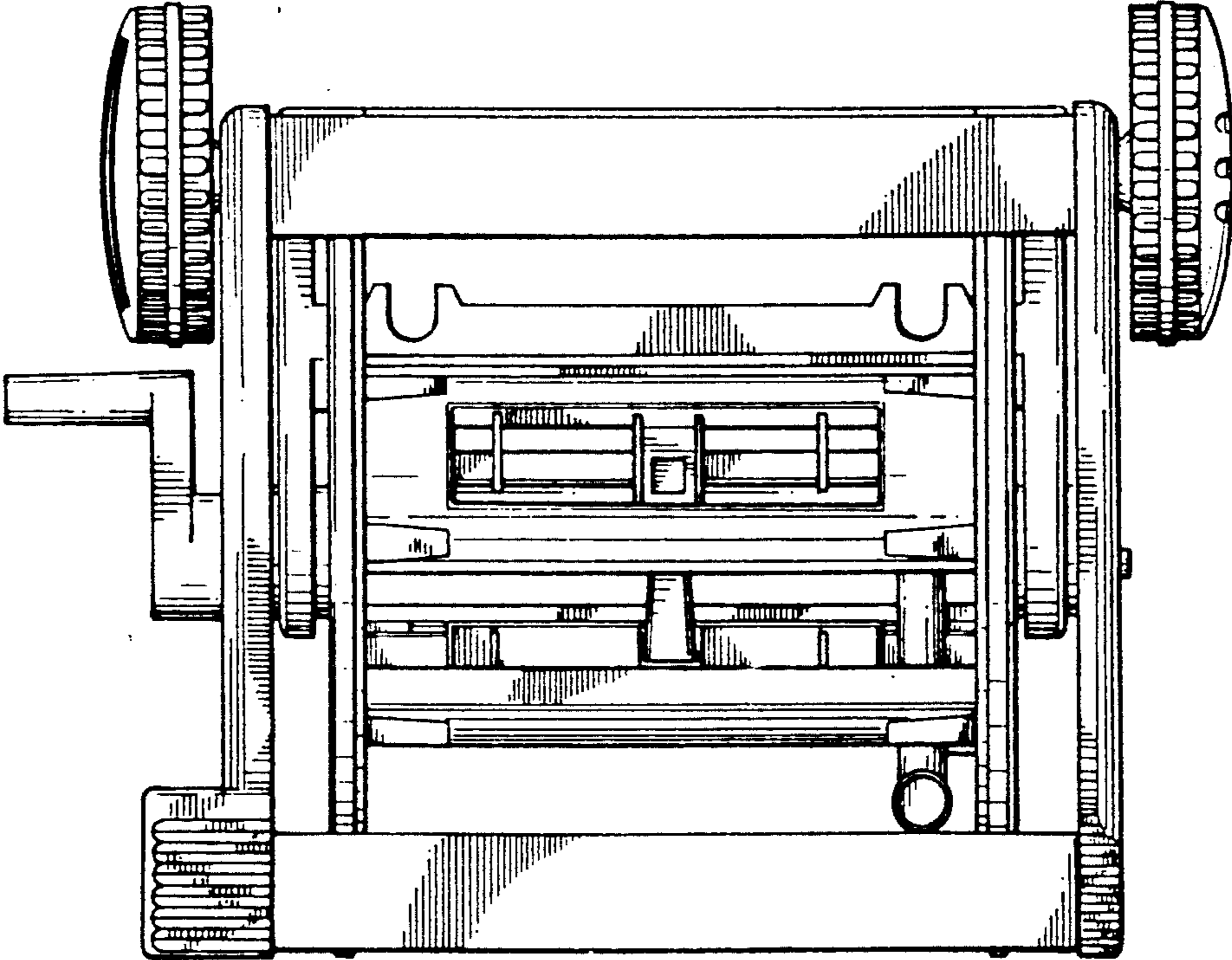


FIG. 7