



US00D349038S

United States Patent [19]

[11] Patent Number: Des. 349,038

Sachs

[45] Date of Patent: ** Jul. 26, 1994

[54] CABLE CLIP

[76] Inventor: **Isaac Sachs**, 283 Newton,
Dollard-Des-Ormeaux, Quebec,
Canada, H9A 3G1

[**] Term: **14 Years**

[21] Appl. No.: **4,622**

[22] Filed: **Feb. 9, 1993**

Related U.S. Application Data

[63] Continuation-in-part of Ser. No. 856,933, Mar. 24,
1992, Pat. No. Des. 342,013.

[52] U.S. Cl. **D8/356**

[58] Field of Search **D8/356, 396, 394;**
248/71, 74.1-74.3, 72, 74.4

[56] References Cited

U.S. PATENT DOCUMENTS

D. 239,364	3/1976	Mooney et al.	D8/396
D. 301,303	5/1989	Hoover	D8/356
D. 302,655	8/1989	Sachs	D8/396
D. 331,358	12/1992	Sachs	D8/356
2,061,463	11/1936	Hall	248/742 X
2,681,196	6/1954	Lind	D8/396 X

Primary Examiner—Wallace R. Burke
Assistant Examiner—H. Baynham
Attorney, Agent, or Firm—Longacre & White

[57] CLAIM

The ornamental design for a cable clip, as shown and described.

DESCRIPTION

FIG. 1 is a top perspective view of a cable clip showing my new design;

FIG. 2 is a side elevational view thereof, the opposite side being a mirror image of that shown;

FIG. 3 is a right end elevational view thereof;

FIG. 4 is a left end elevational view thereof;

FIG. 5 is a top plan view thereof;

FIG. 6 is a bottom plan view thereof;

FIG. 7 is a top perspective view of another embodiment of the design shown in FIG. 1;

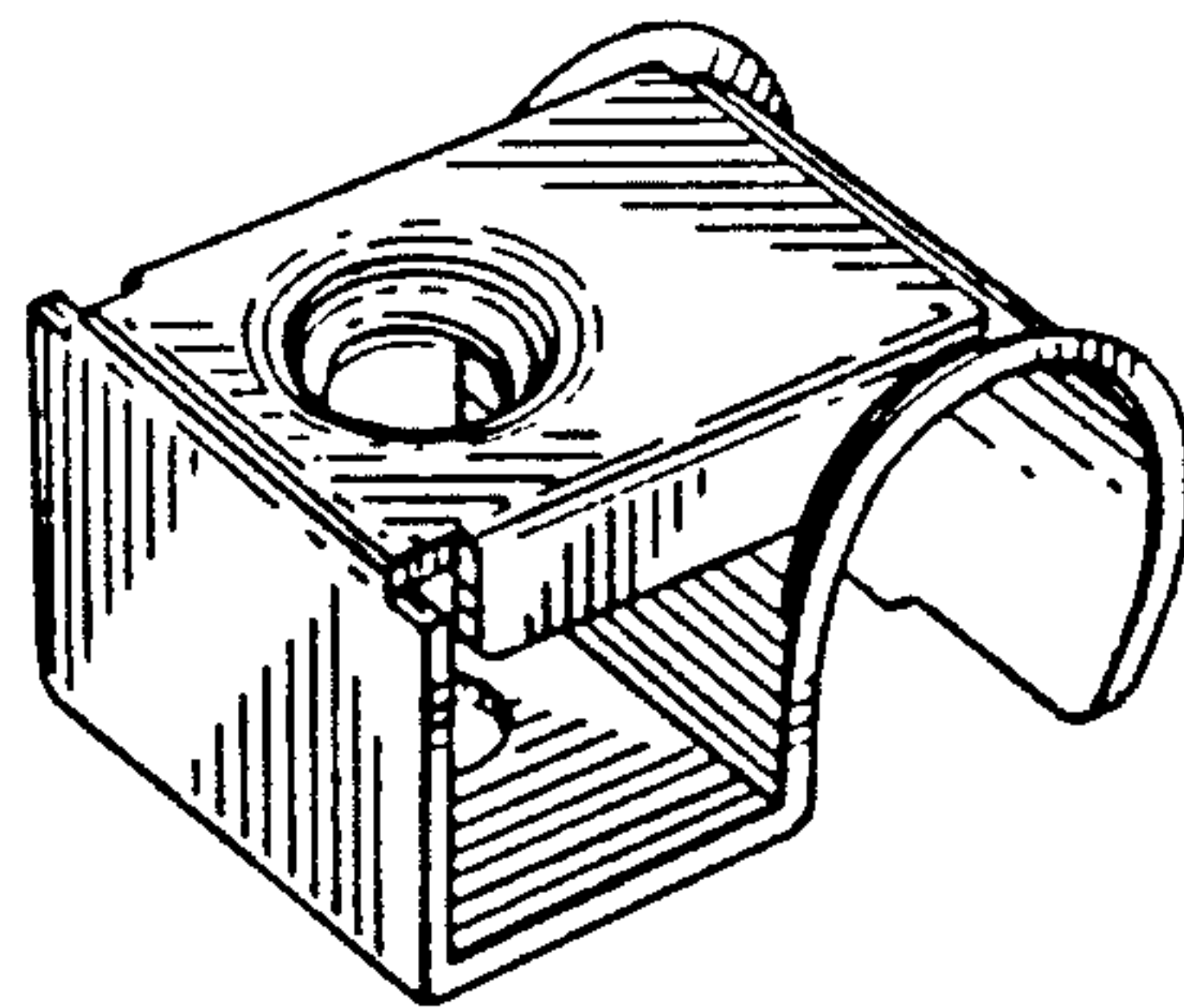
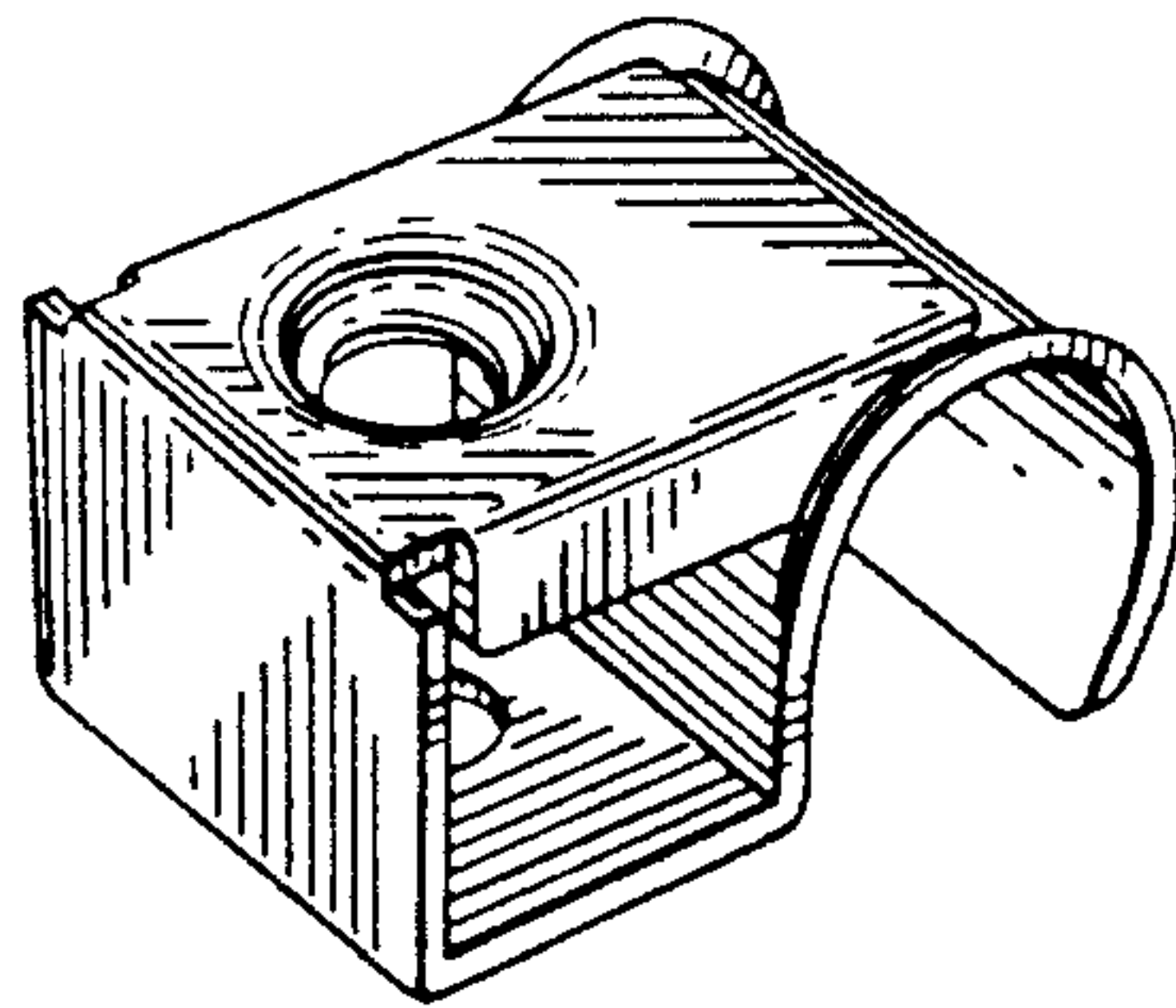
FIG. 8 is a side elevational view thereof with the opposite side being a mirror image thereof;

FIG. 9 is a right end elevational view thereof;

FIG. 10 is a left end elevational view thereof;

FIG. 11 is a top plan view thereof; and,

FIG. 12 is a bottom plan view thereof.



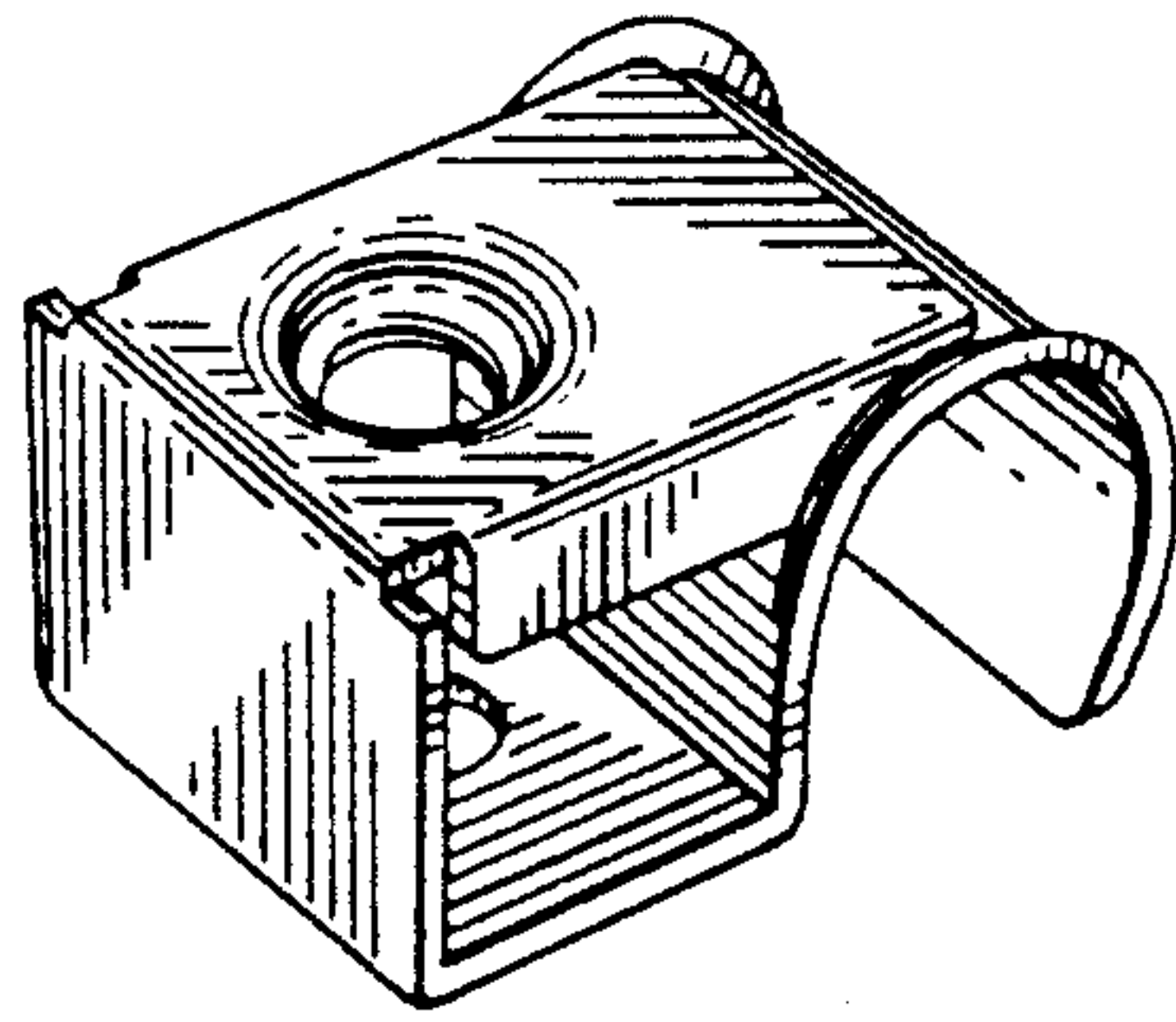


FIG. 1

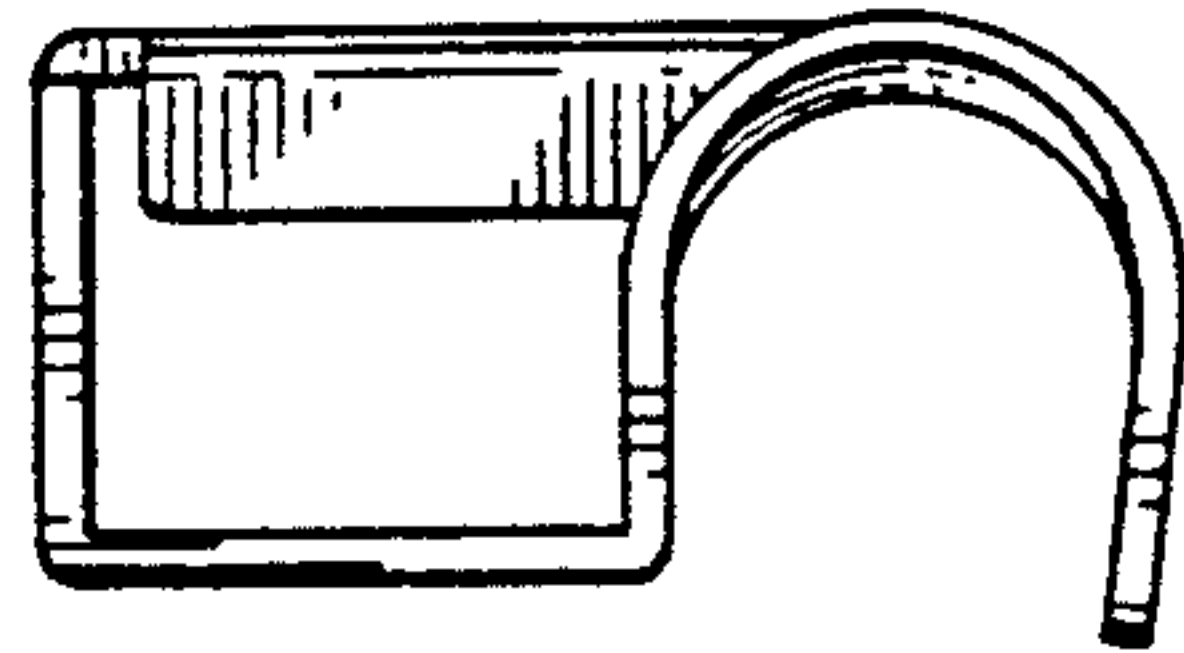


FIG. 2

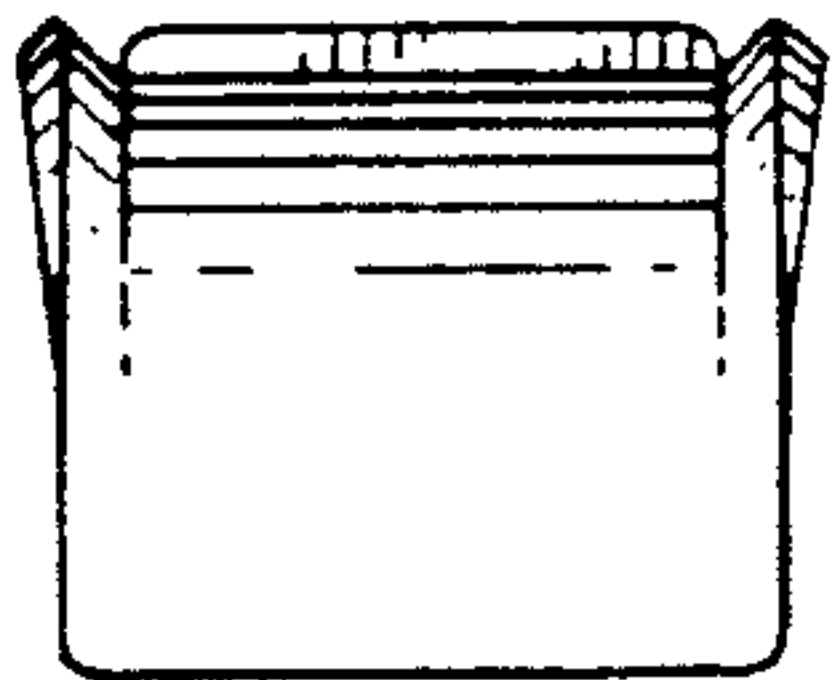


FIG. 3

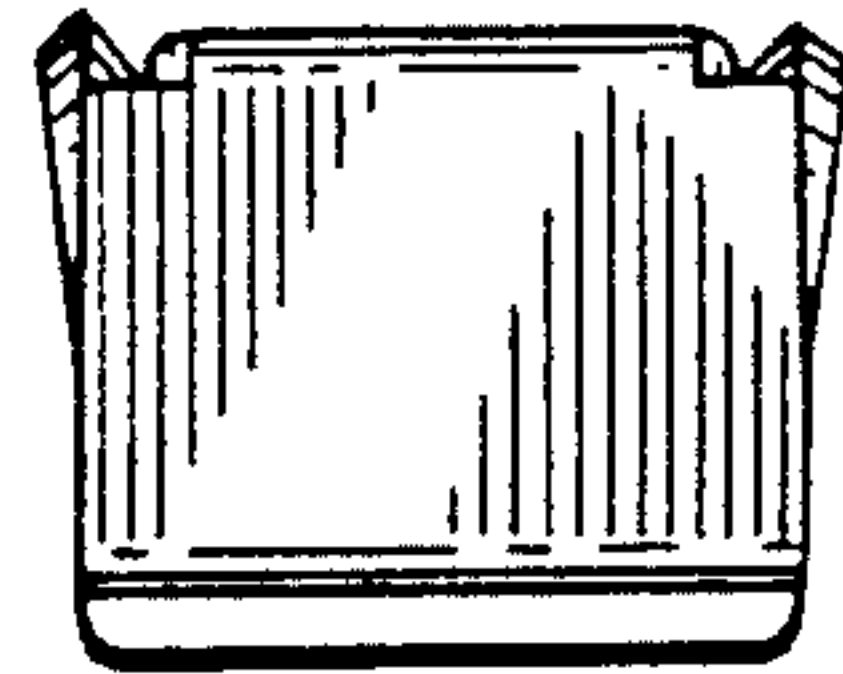


FIG. 4

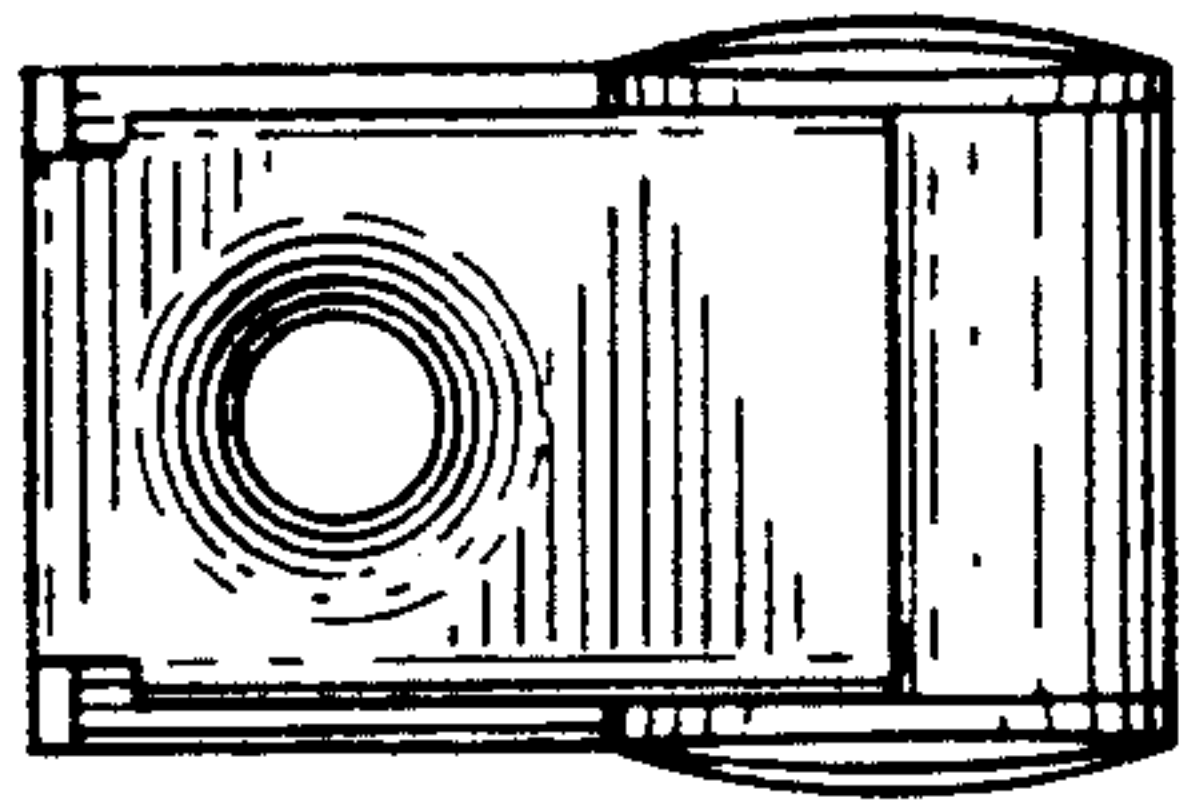


FIG. 5

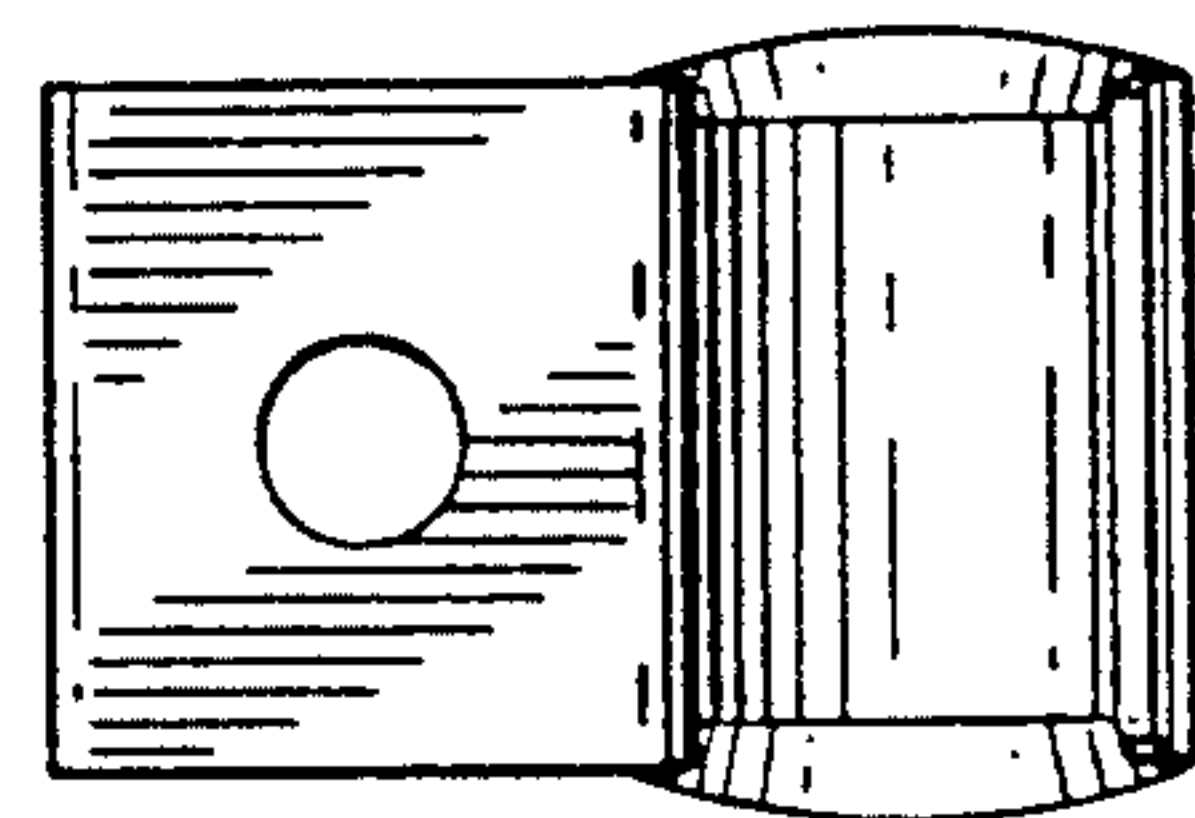


FIG. 6

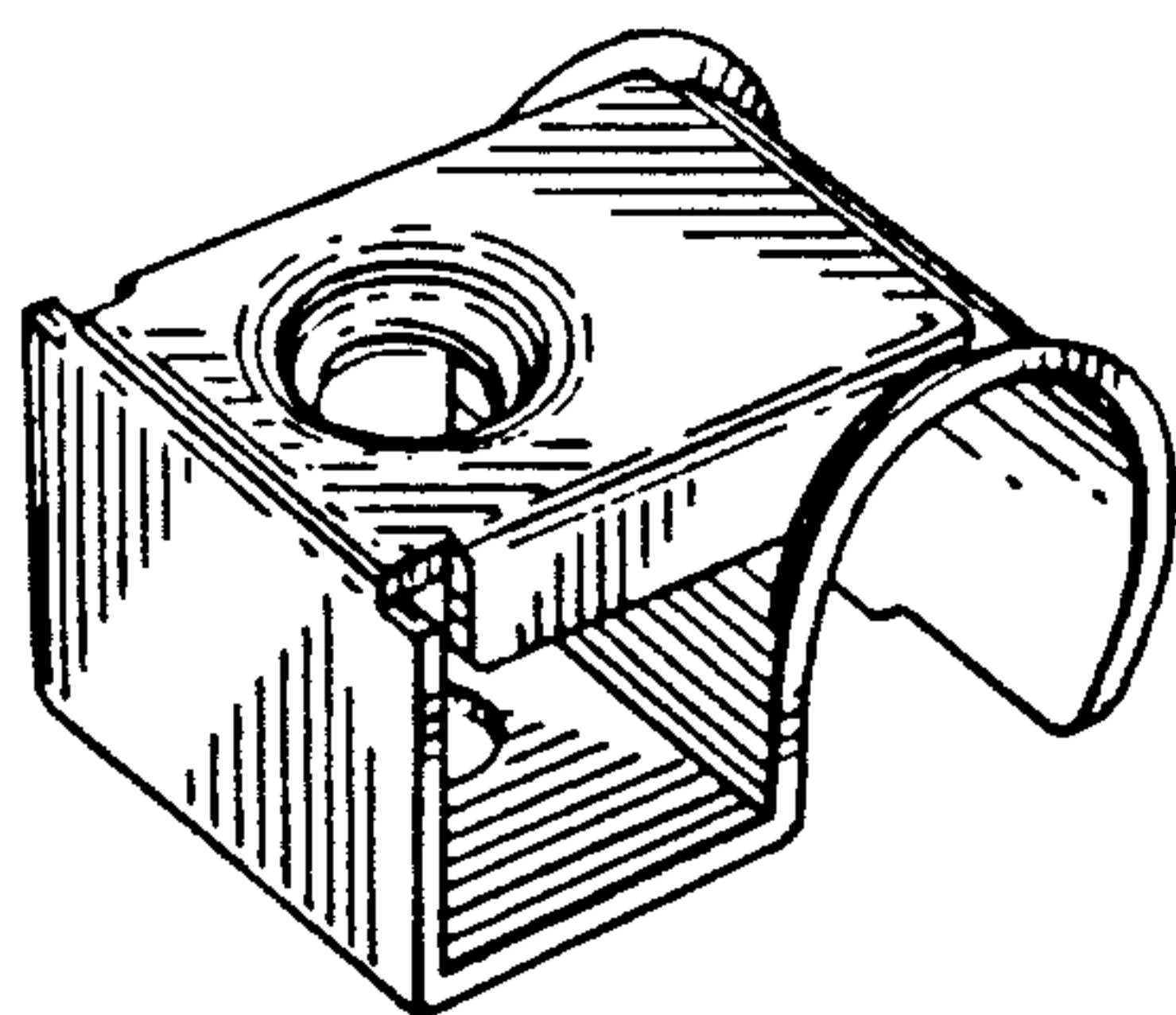


FIG. 7

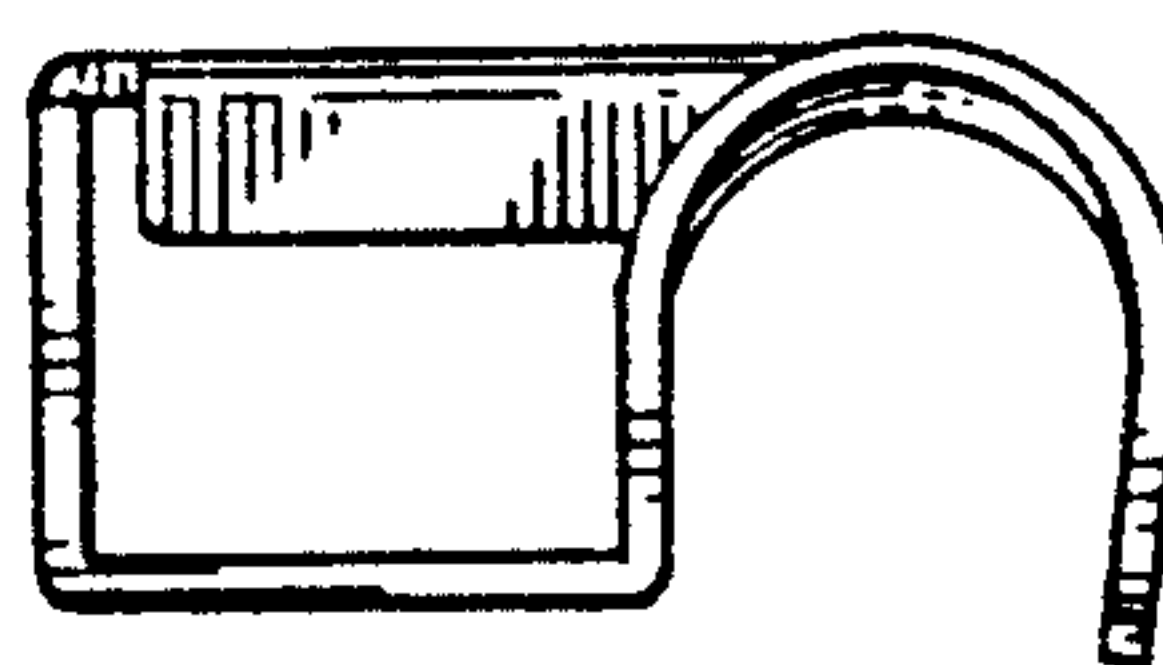


FIG. 8

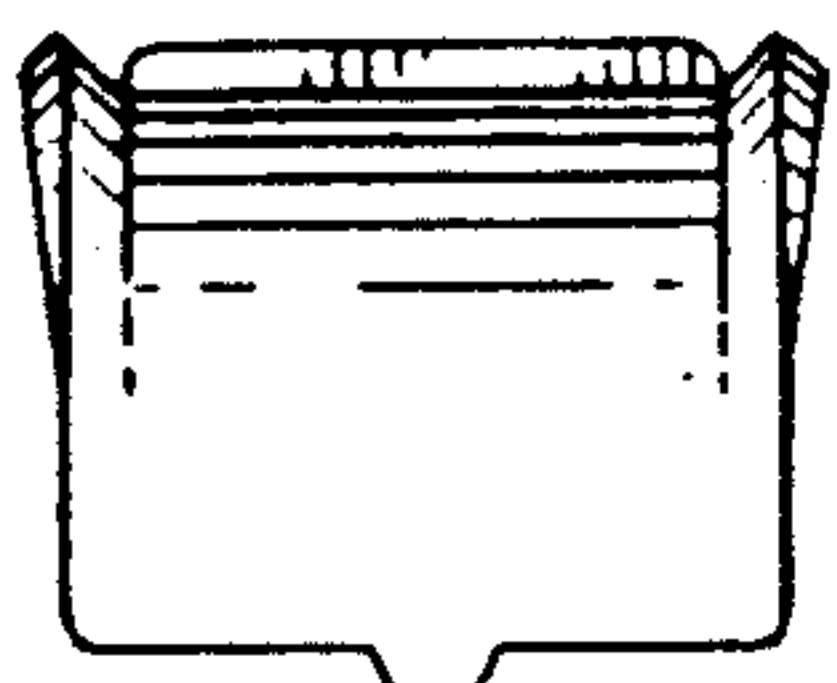


FIG. 9

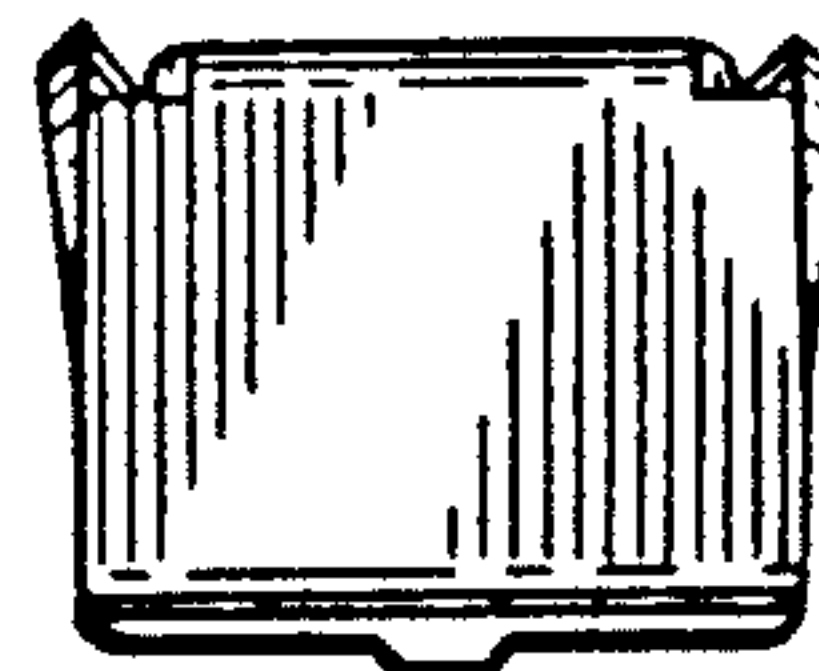


FIG. 10

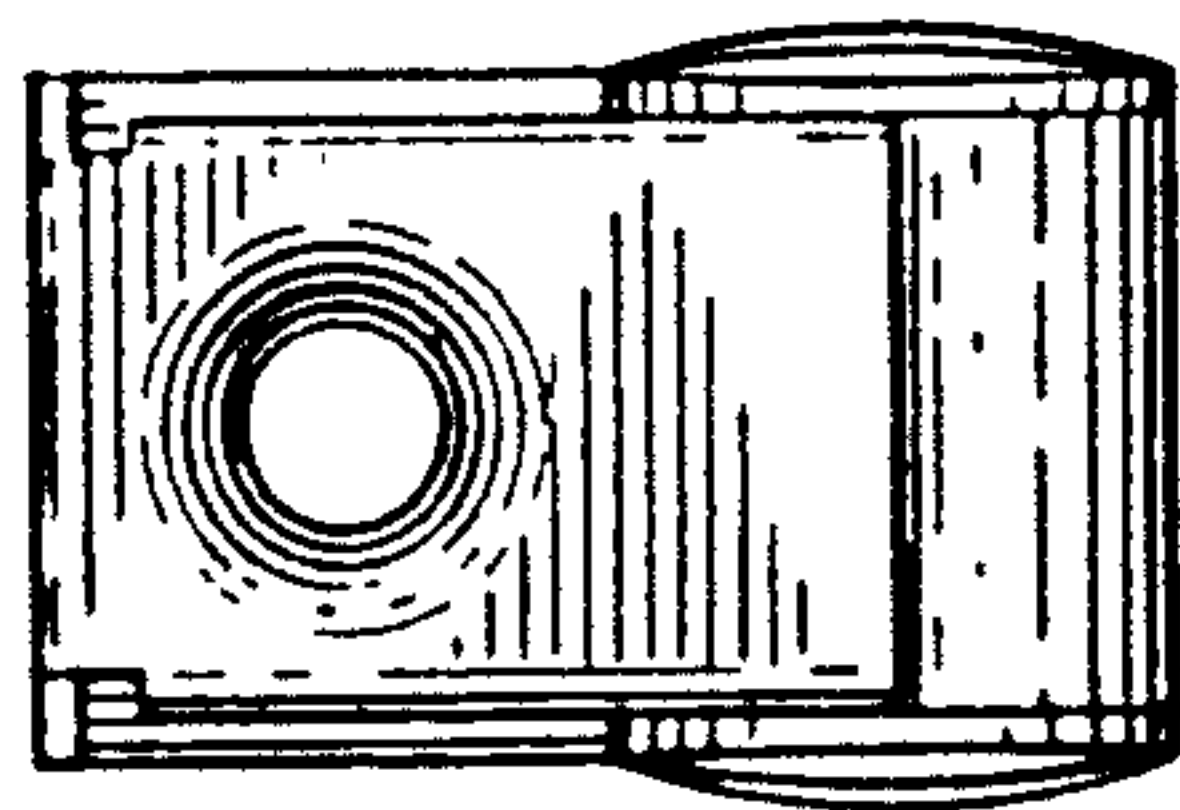


FIG. 11

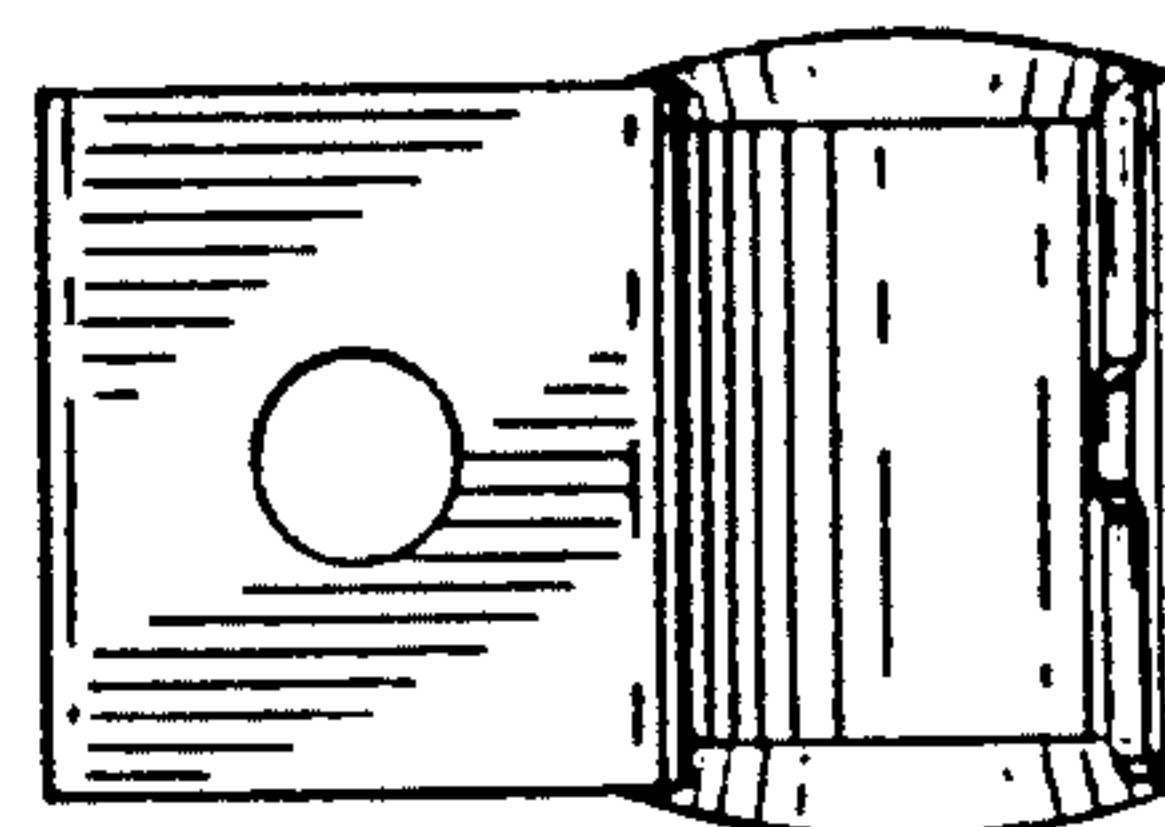


FIG. 12