



US00D349035S

United States Patent [19]

[11] Patent Number: **Des. 349,035**

Baber

[45] Date of Patent: **** Jul. 26, 1994**

[54] **SECURITY BOLT**

1,580,611 4/1926 Kirkpatrick 292/DIG. 46 X
4,639,022 1/1987 Dunphy et al. 292/DIG. 46 X

[75] Inventor: **Murray J. Baber**, Auckland, New Zealand

Primary Examiner—Brian N. Vinson
Attorney, Agent, or Firm—Jacobson, Price, Holman & Stern

[73] Assignee: **M. J. Baber & Company Limited**, Auckland, New Zealand

[57] **CLAIM**

[**] Term: **14 Years**

The ornamental design for a security bolt, as shown.

[21] Appl. No.: **909,411**

DESCRIPTION

[22] Filed: **Jul. 2, 1992**

[52] U.S. Cl. **D8/339**

[58] **Field of Search** **D8/330-346;**
292/137, 169.18, DIG. 46, DIG. 53, DIG. 55;
70/88-91, 77, 95-100, 124, 127, 129, 134, 405,
402

FIG. 1 is a left side elevational view of a security bolt showing my new design;
FIG. 2 is a front elevational view thereof;
FIG. 3 is a right side elevational view thereof;
FIG. 4 is a rear elevational view thereof;
FIG. 5 is a top plan view thereof;
FIG. 6 is a bottom plan view thereof;
FIG. 7 is a bottom, rear, and left side perspective view thereof; and,
FIG. 8 is a top, rear, and left side perspective view thereof.

[56] **References Cited**

U.S. PATENT DOCUMENTS

D. 293,878 1/1988 Kayser D8/339
D. 319,776 9/1991 Barrett et al. D8/331

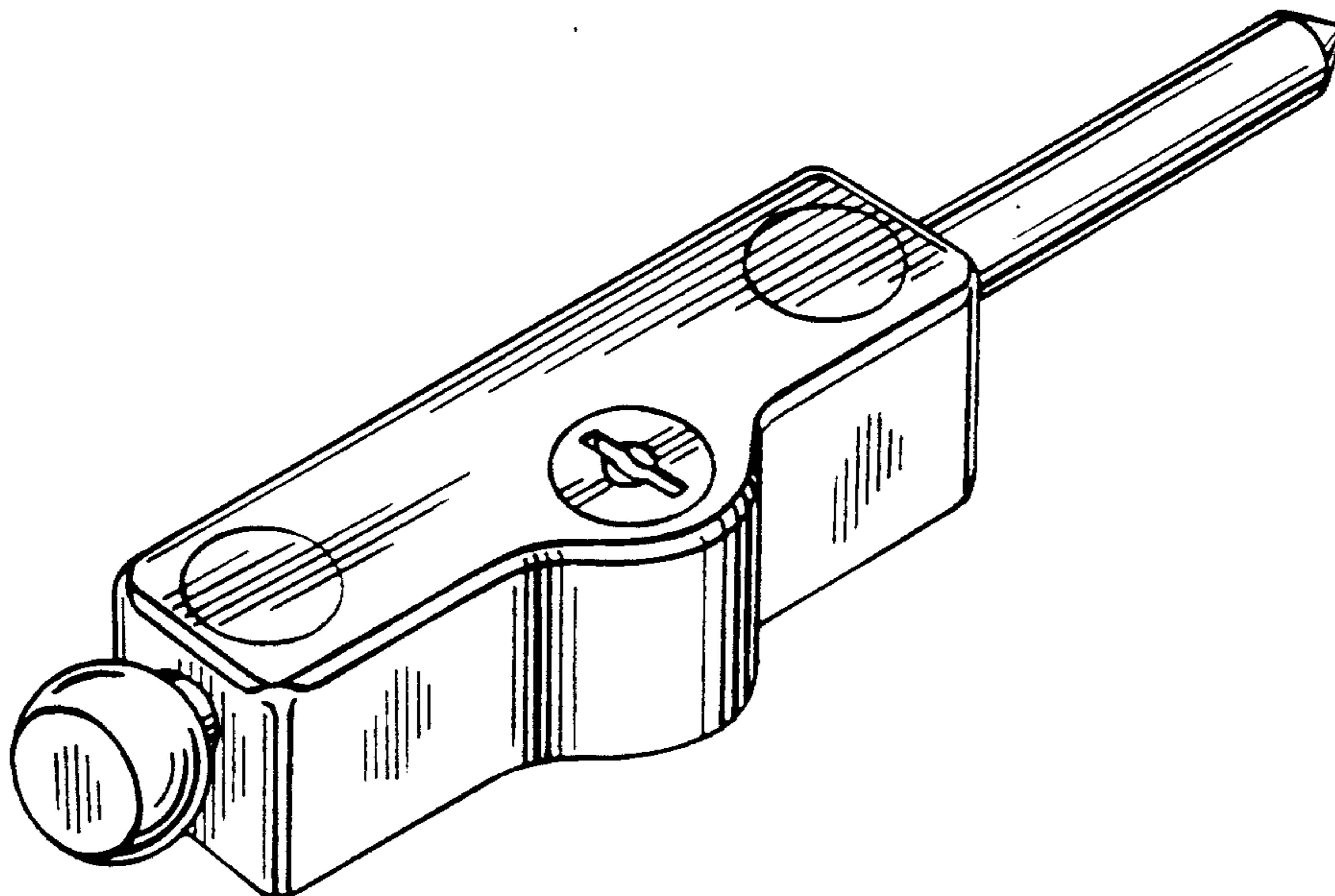


FIG. 1



FIG. 2

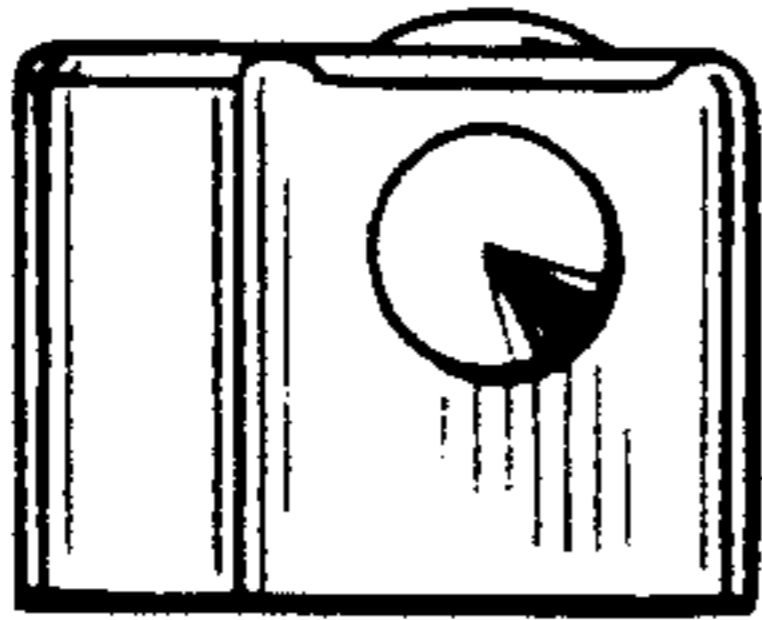


FIG. 4

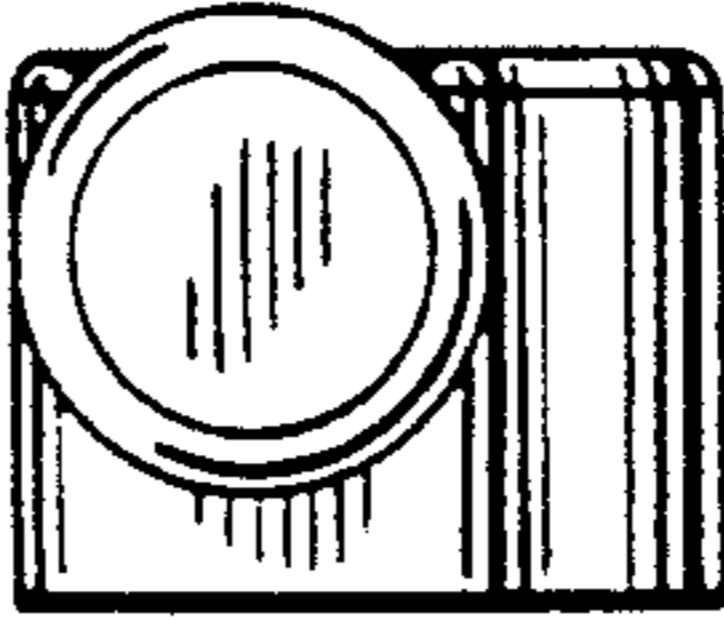


FIG. 3

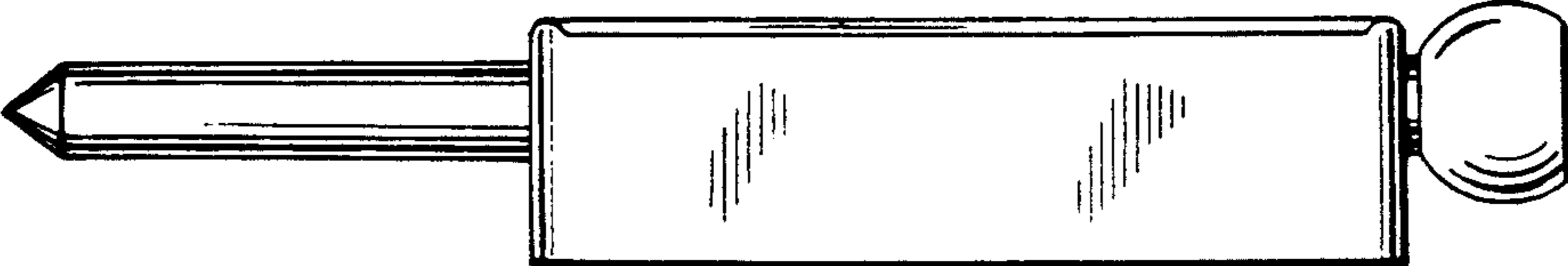


FIG. 5

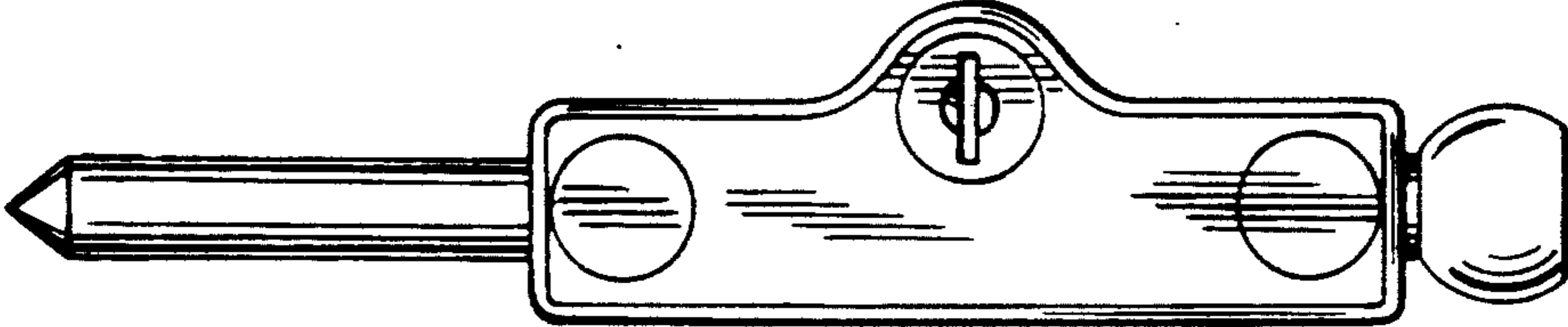
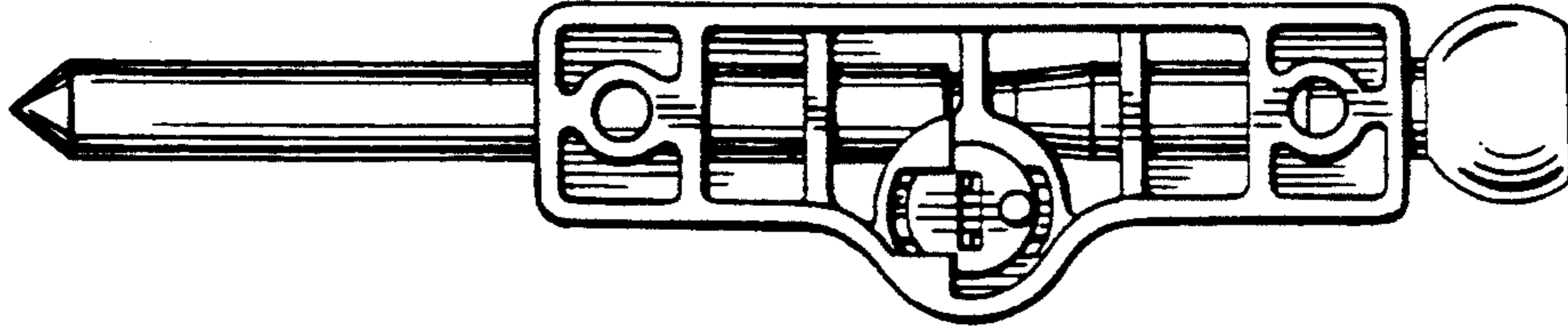


FIG. 6



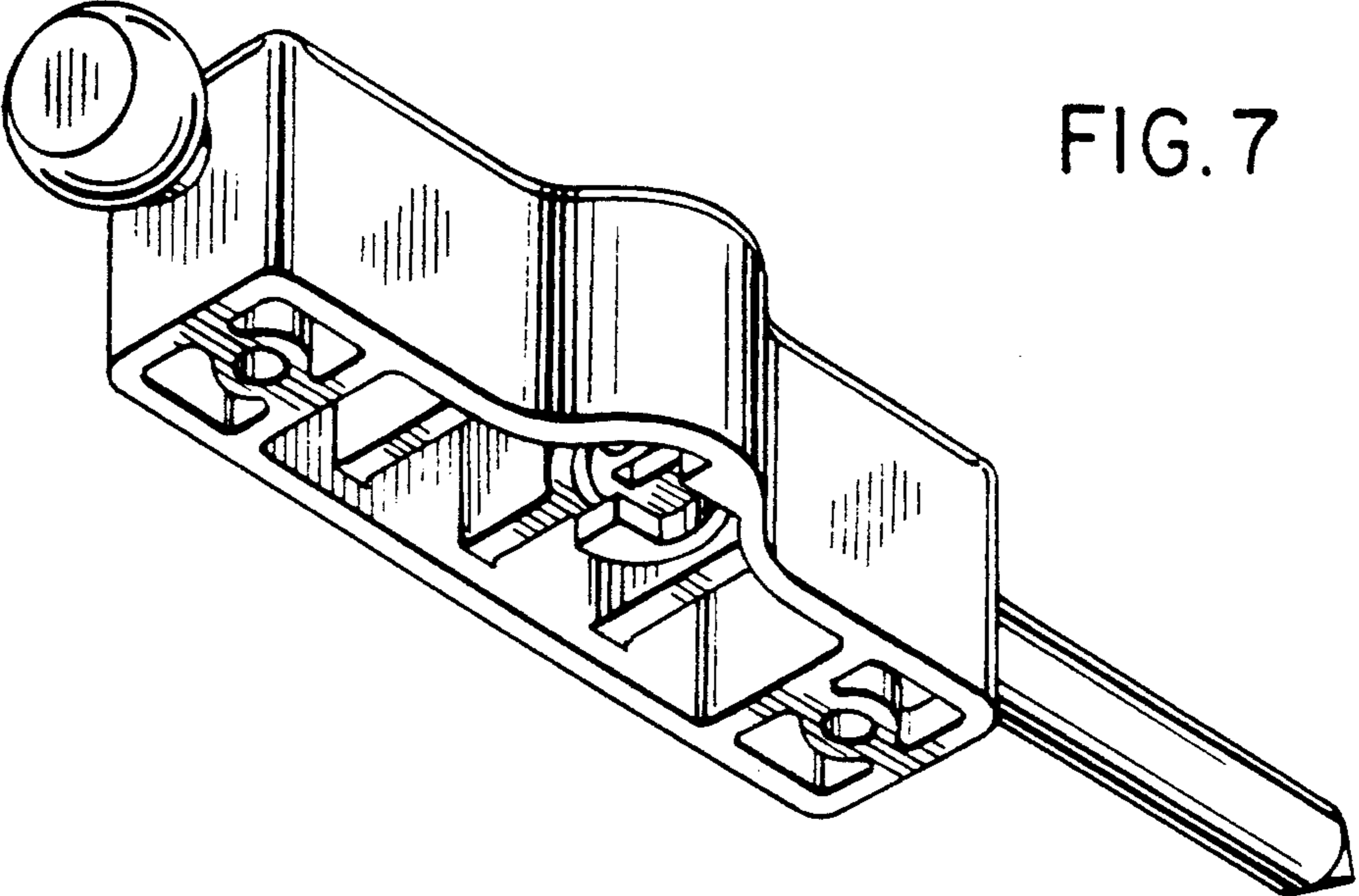


FIG. 7

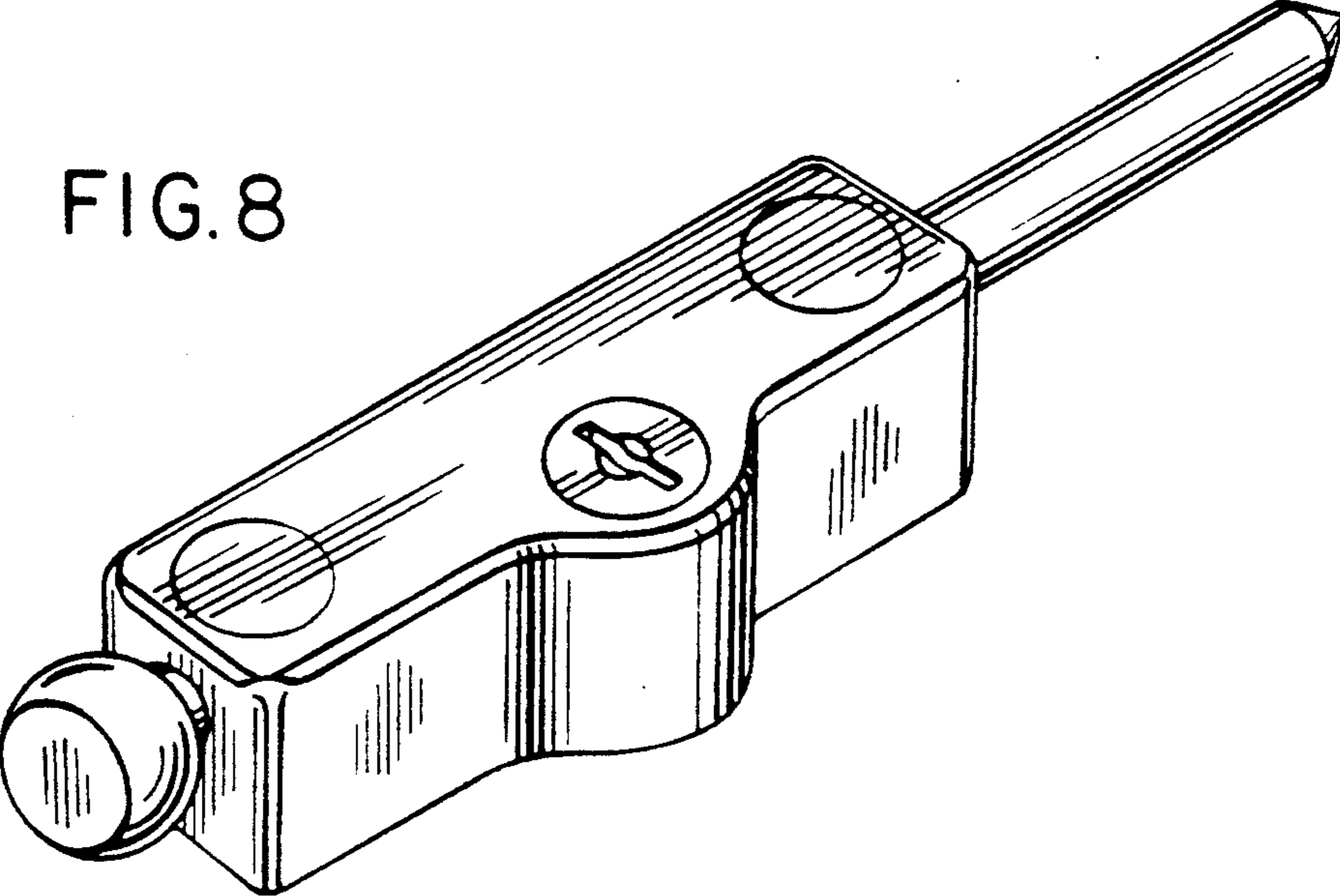


FIG. 8