



US00D349034S

United States Patent [19]

Webster

[11] Patent Number: **Des. 349,034**

[45] Date of Patent: **** Jul. 26, 1994**

[54] **STEERING COLUMN LOCK**

3,916,658	11/1975	Barry	D8/333	X
4,627,514	12/1986	Brown	70/252	X
4,955,215	9/1990	Eremita	70/237	X

[76] Inventor: **Hugh J. Webster**, 32565 Jefferson Dr., Solon, Ohio 44139

Primary Examiner—Brian N. Vinson
Attorney, Agent, or Firm—James A. Hudak

[**] Term: **14 Years**

[21] Appl. No.: **14,138**

[57] **CLAIM**

[22] Filed: **Oct. 13, 1993**

The ornamental design for a steering column lock, as shown and described.

[52] U.S. Cl. **D8/333; D8/346**

[58] Field of Search **D8/330-331, D8/333, 339, 341; 70/14, 233, 237-238, 245, 247, 252**

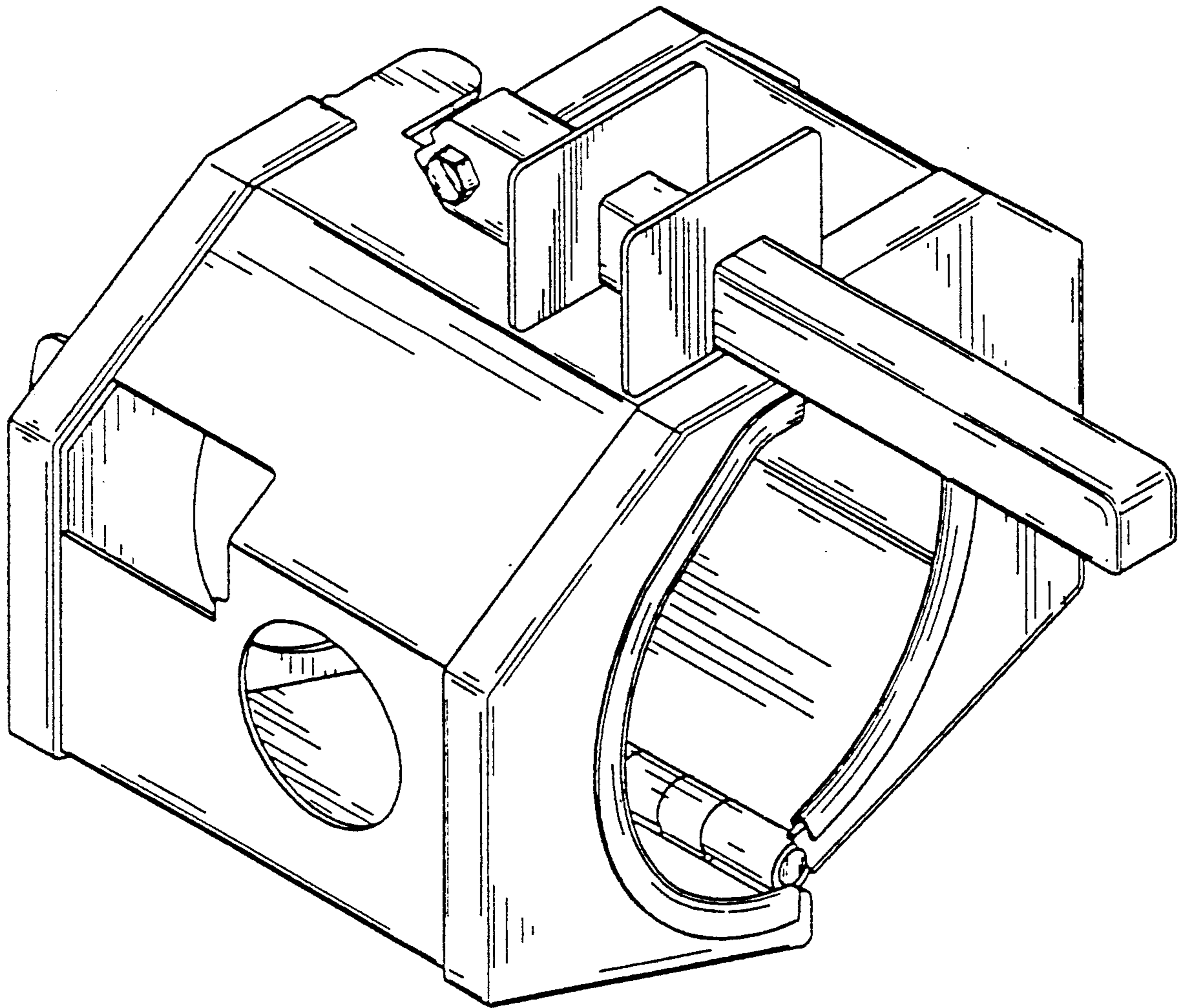
DESCRIPTION

[56] **References Cited**

U.S. PATENT DOCUMENTS

D. 284,447	7/1986	Webster	D8/331
D. 301,541	6/1989	Gifford	D8/331
D. 311,857	11/1990	Webster	D8/331

FIG. 1 is a perspective view of a steering column lock showing my new design;
FIG. 2 is a front elevational view thereof;
FIG. 3 is a rear elevational view thereof;
FIG. 4 is a left side elevational view thereof;
FIG. 5 is a right side elevational view thereof;
FIG. 6 is a top plan view thereof; and,
FIG. 7 is a bottom plan view thereof.



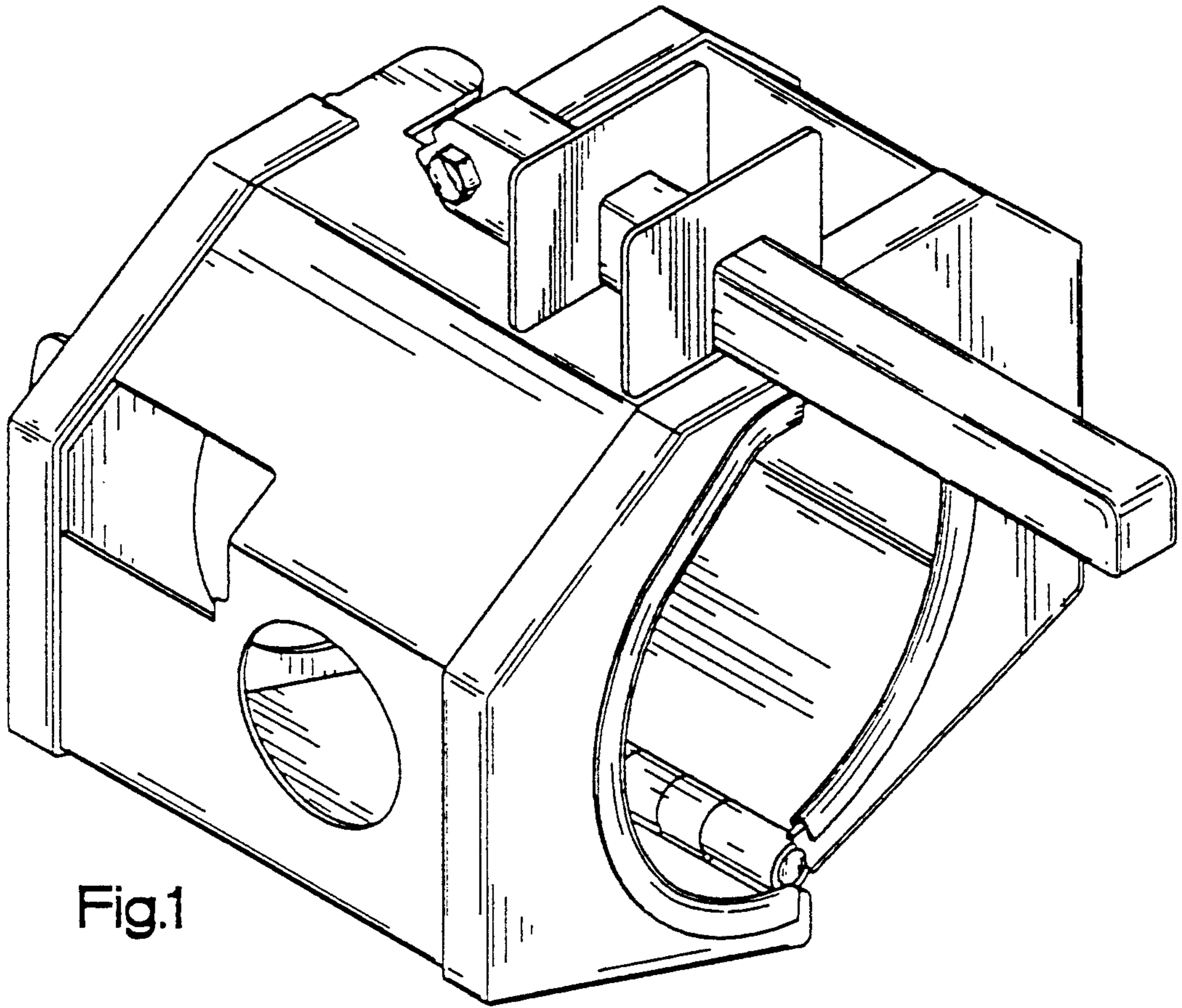


Fig.1

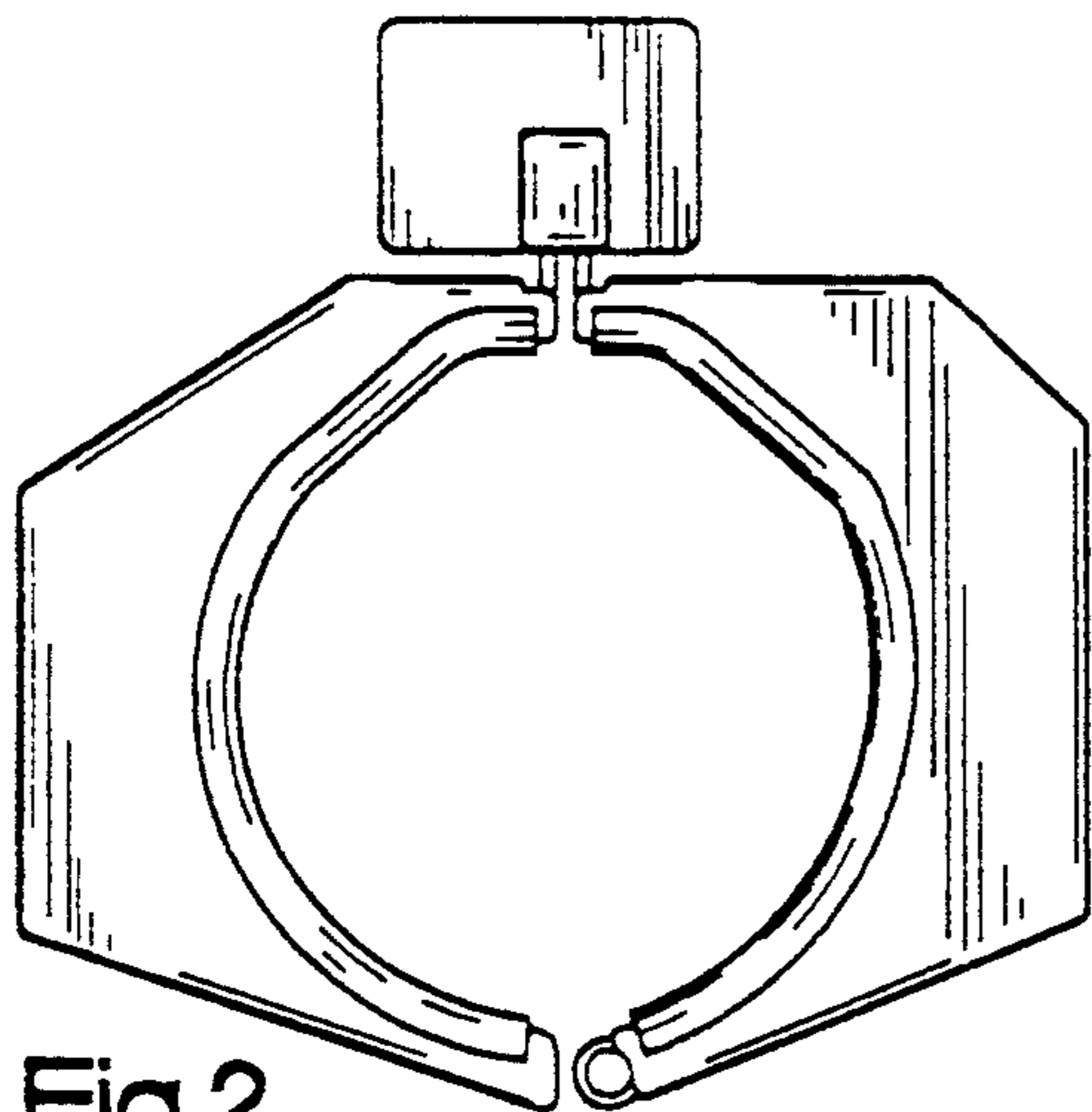


Fig.2

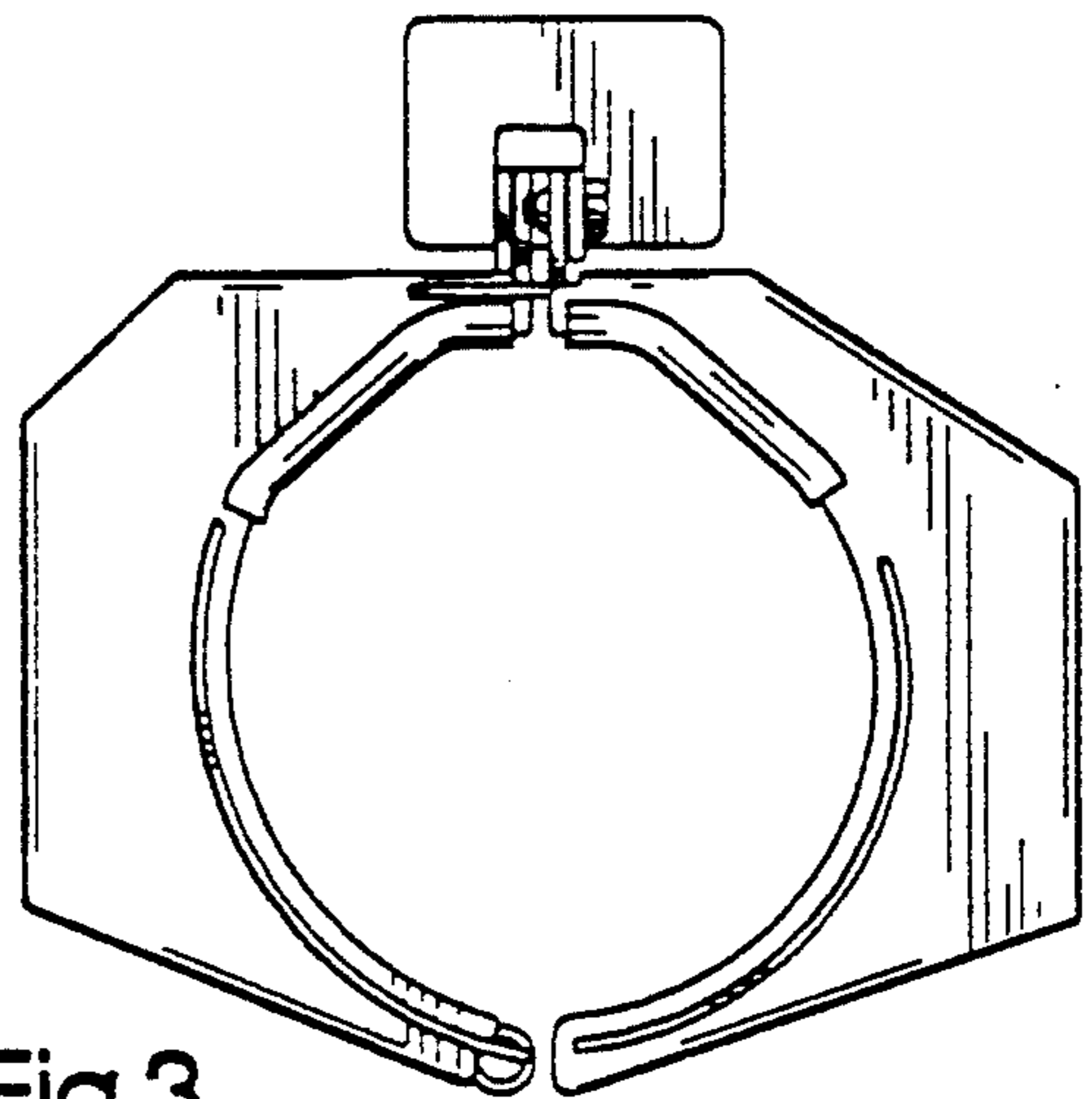


Fig.3

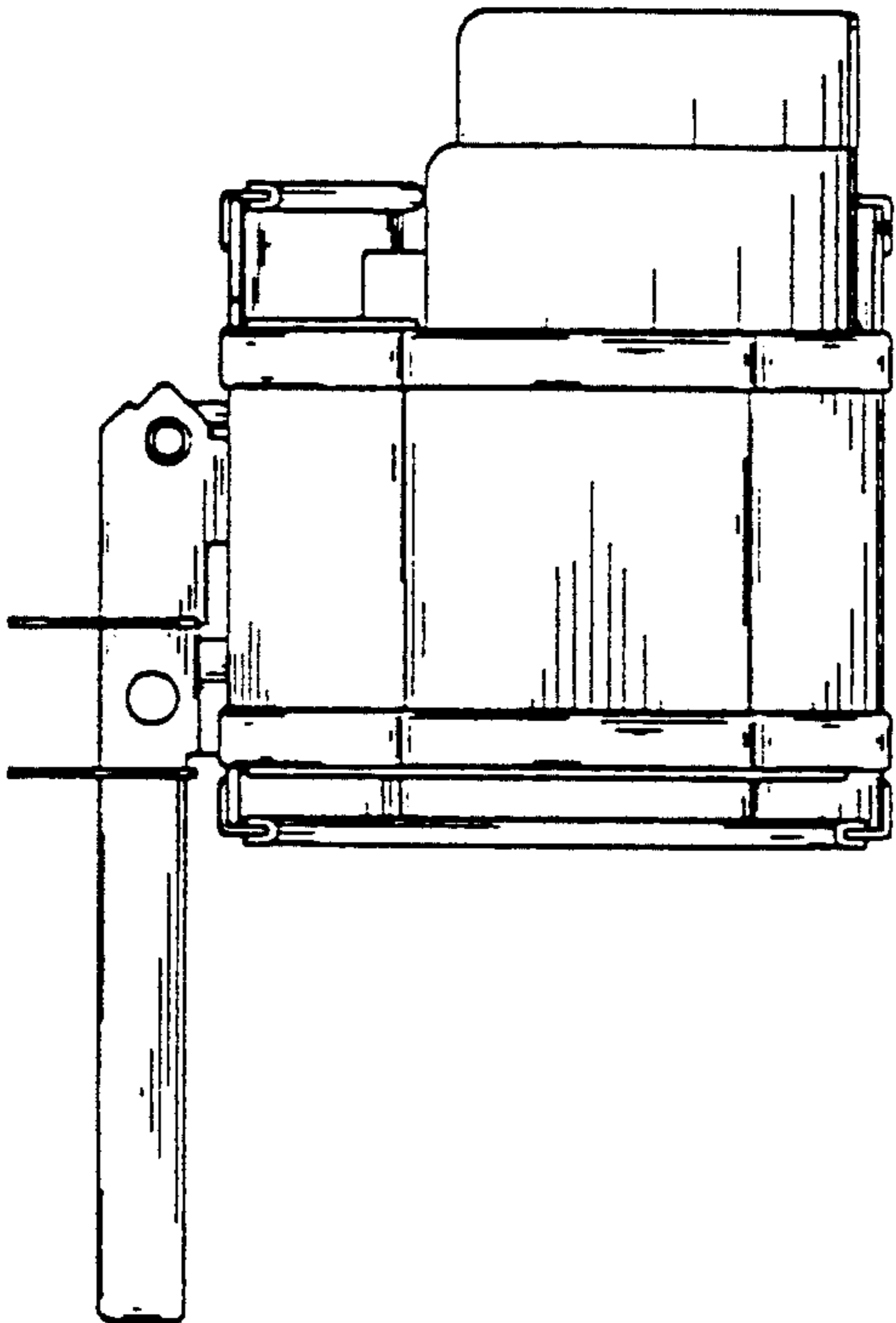


Fig.5

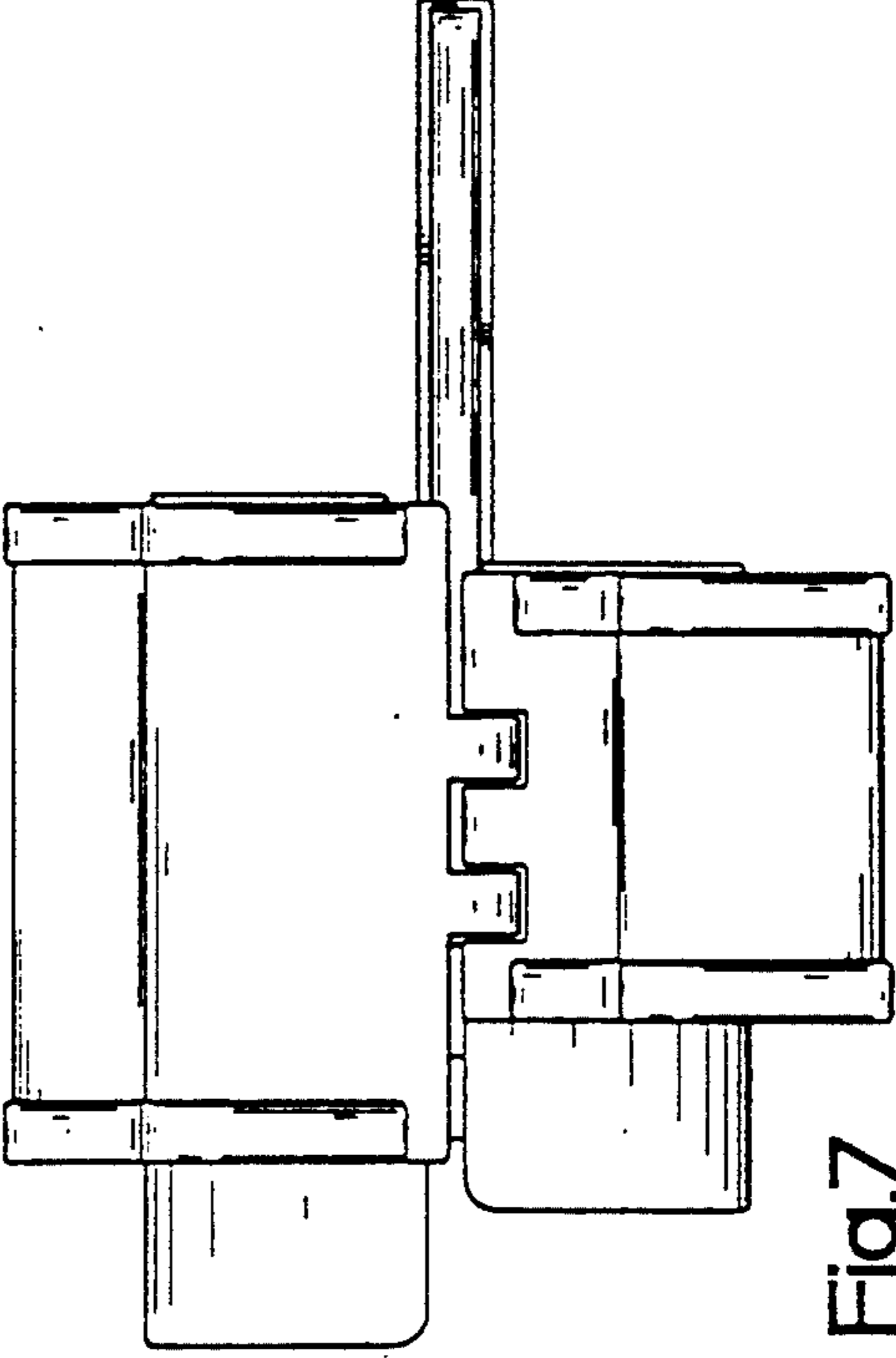


Fig.7

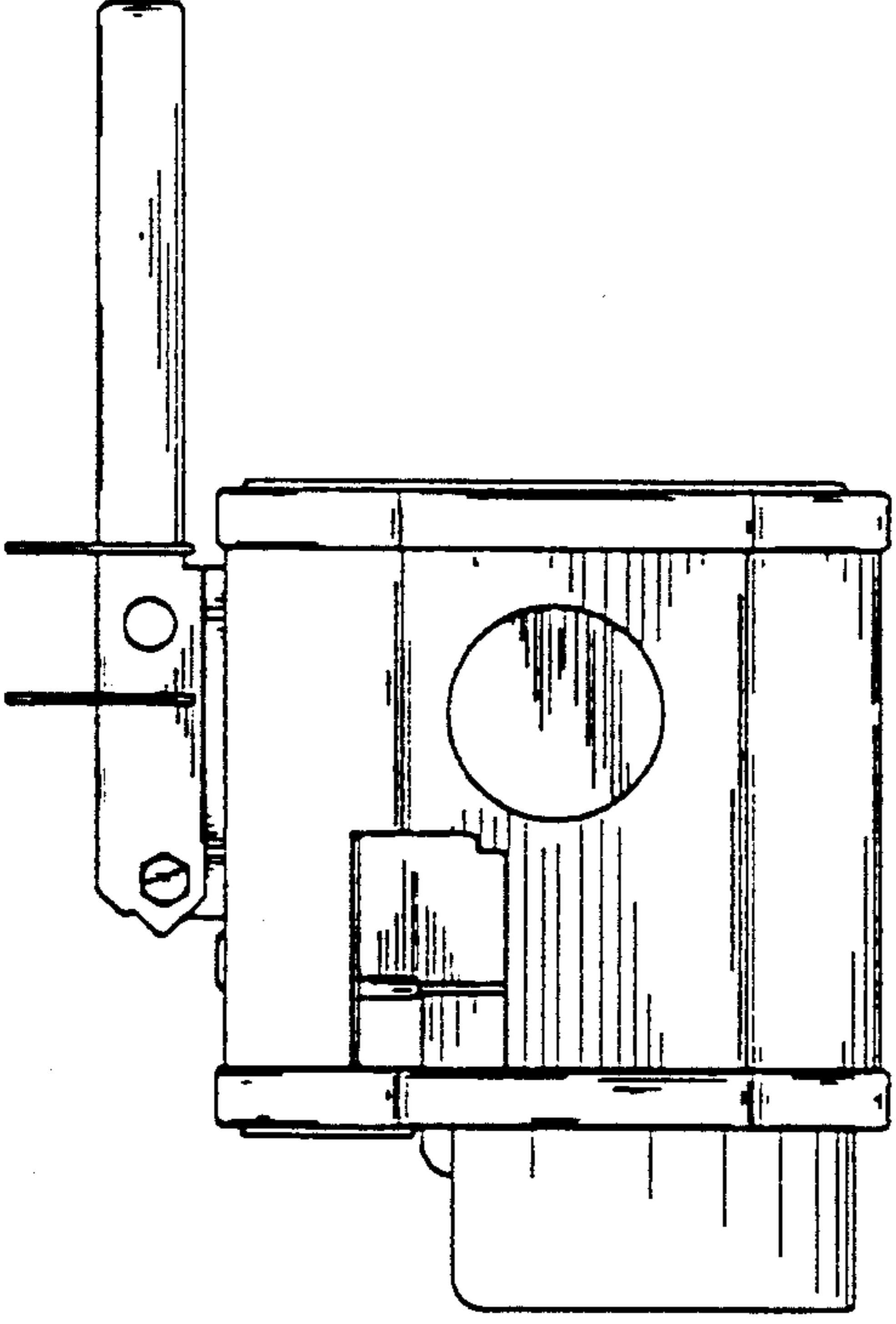


Fig.4

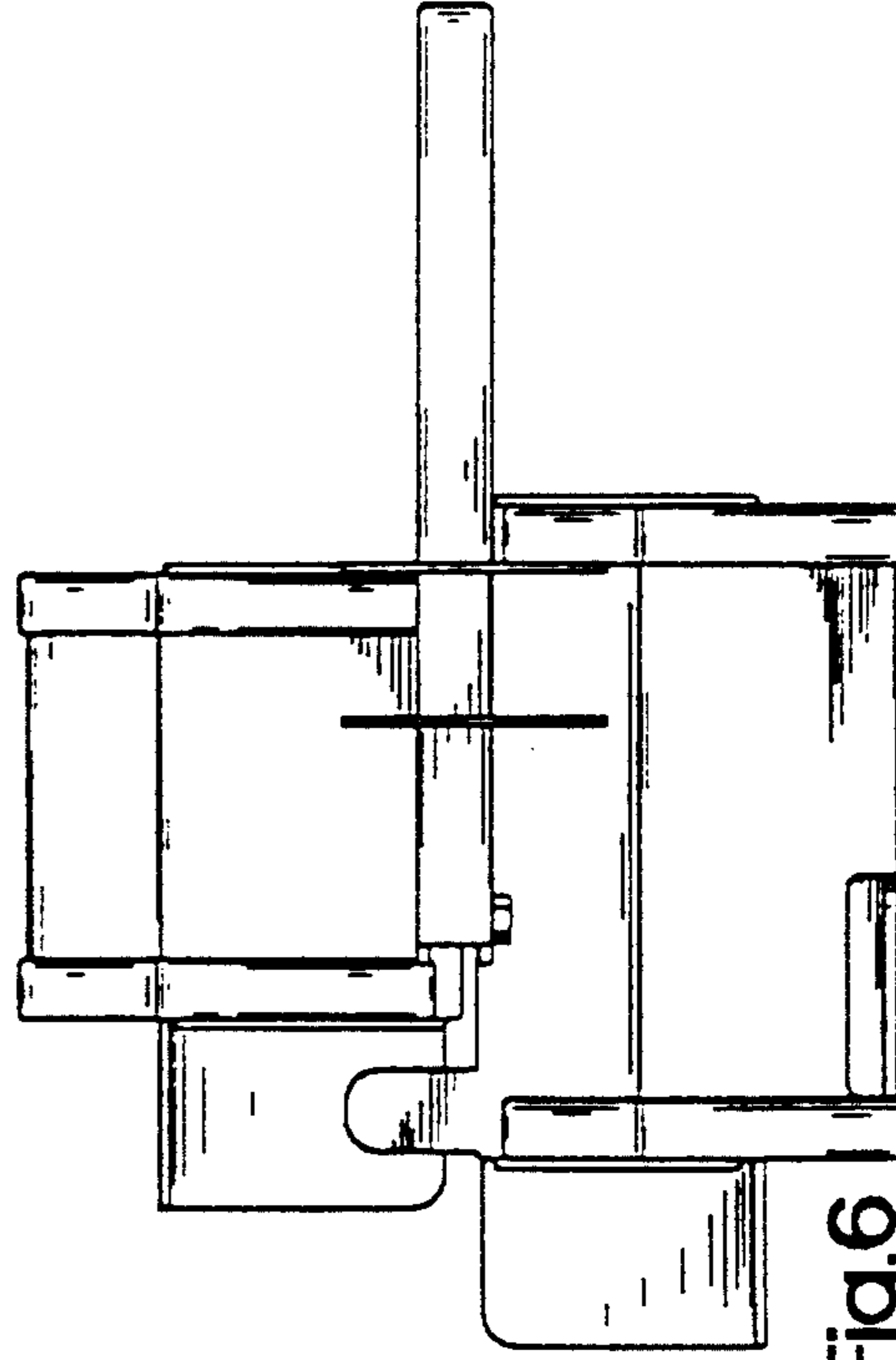


Fig.6