



US00D349029S

# United States Patent [19]

[11] Patent Number: **Des. 349,029**

**Matsunaga et al.**

[45] Date of Patent: **\*\* Jul. 26, 1994**

[54] **PORTABLE ELECTRIC HAMMER DRILL**

[56]

### References Cited

[75] Inventors: **Naoki Matsunaga**, Milan, Italy;  
**Hideaki Hasegawa**, Funabashi;  
**Yoshihiko Watanabe**, Ibaraki, both of  
Japan; **Toshiaki Takagi**, Katsuta,  
Japan

### U.S. PATENT DOCUMENTS

D. 276,883 12/1984 Unger ..... D8/68  
D. 328,556 8/1992 Fushiya et al. .... D8/68  
D. 331,356 12/1992 Amsberry ..... D8/68

[73] Assignee: **Hitachi Koki Company Limited**,  
Tokyo, Japan

*Primary Examiner*—Alan P. Douglas  
*Assistant Examiner*—J. H. Musgrove  
*Attorney, Agent, or Firm*—Lowe, Price, LeBlanc &  
Becker

[\*\*] Term: **14 Years**

### [57] CLAIM

The ornamental design for a portable electric hammer drill, as shown and described.

[21] Appl. No.: **8,453**

### DESCRIPTION

[22] Filed: **May 18, 1993**

FIG. 1 is a front perspective view of the portable electric hammer drill;  
FIG. 2 is a left side elevational view thereof;  
FIG. 3 is a right side elevational view thereof;  
FIG. 4 is a front elevational view thereof;  
FIG. 5 is a rear elevational view thereof;  
FIG. 6 is a top plan view thereof;  
FIG. 7 is a bottom plan view thereof; and,  
FIG. 8 is a front perspective view thereof with a side handle.

### [30] Foreign Application Priority Data

Nov. 21, 1992 [JP] Japan ..... 4-34401  
[52] U.S. Cl. .... D8/69; D8/67  
[58] Field of Search ..... D8/61, 68, 69, 67;  
81/57.11, 57.13; 173/48, 90, 91, 92, 93, 170;  
408/124, 125

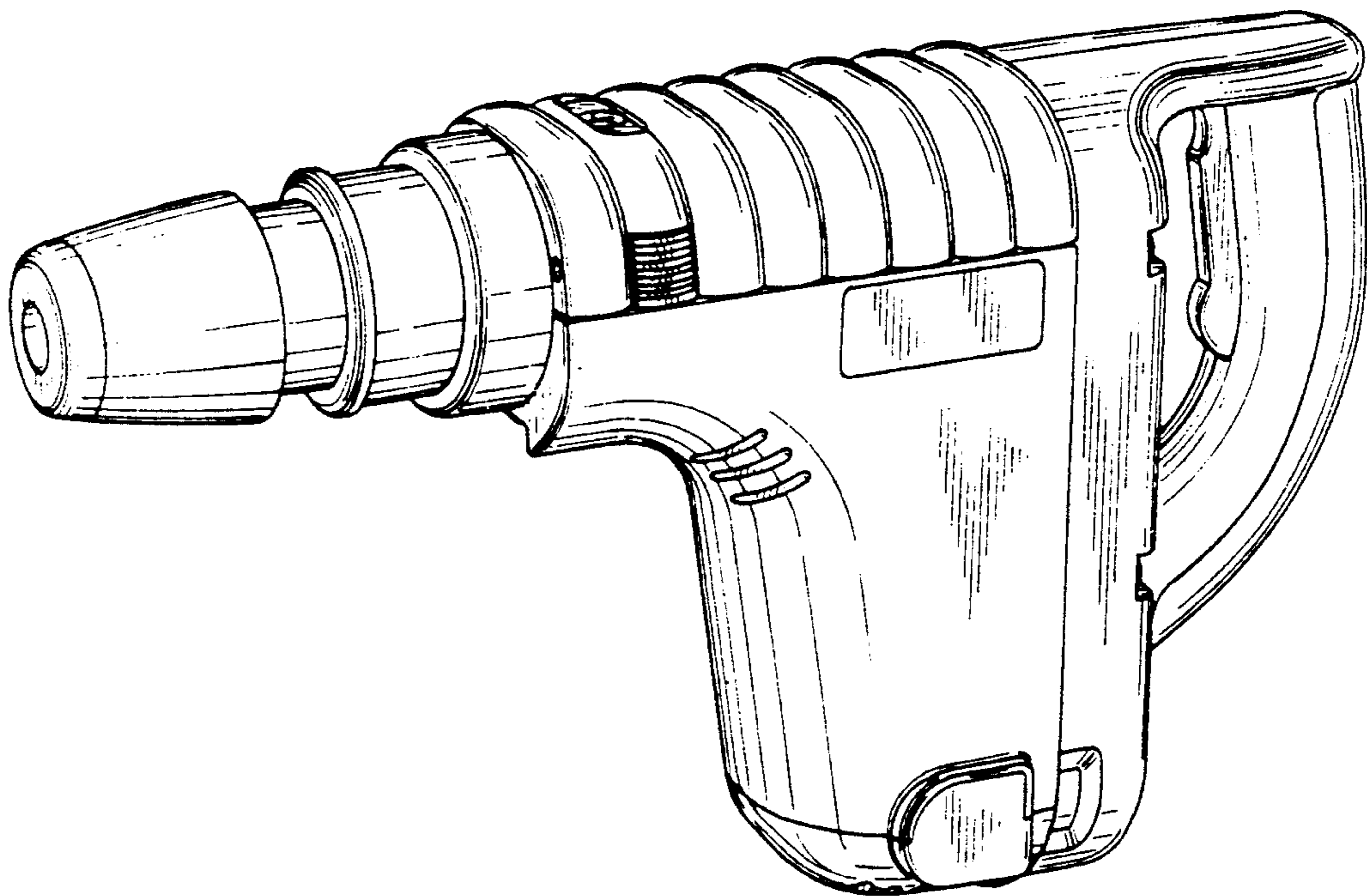


FIG. 1

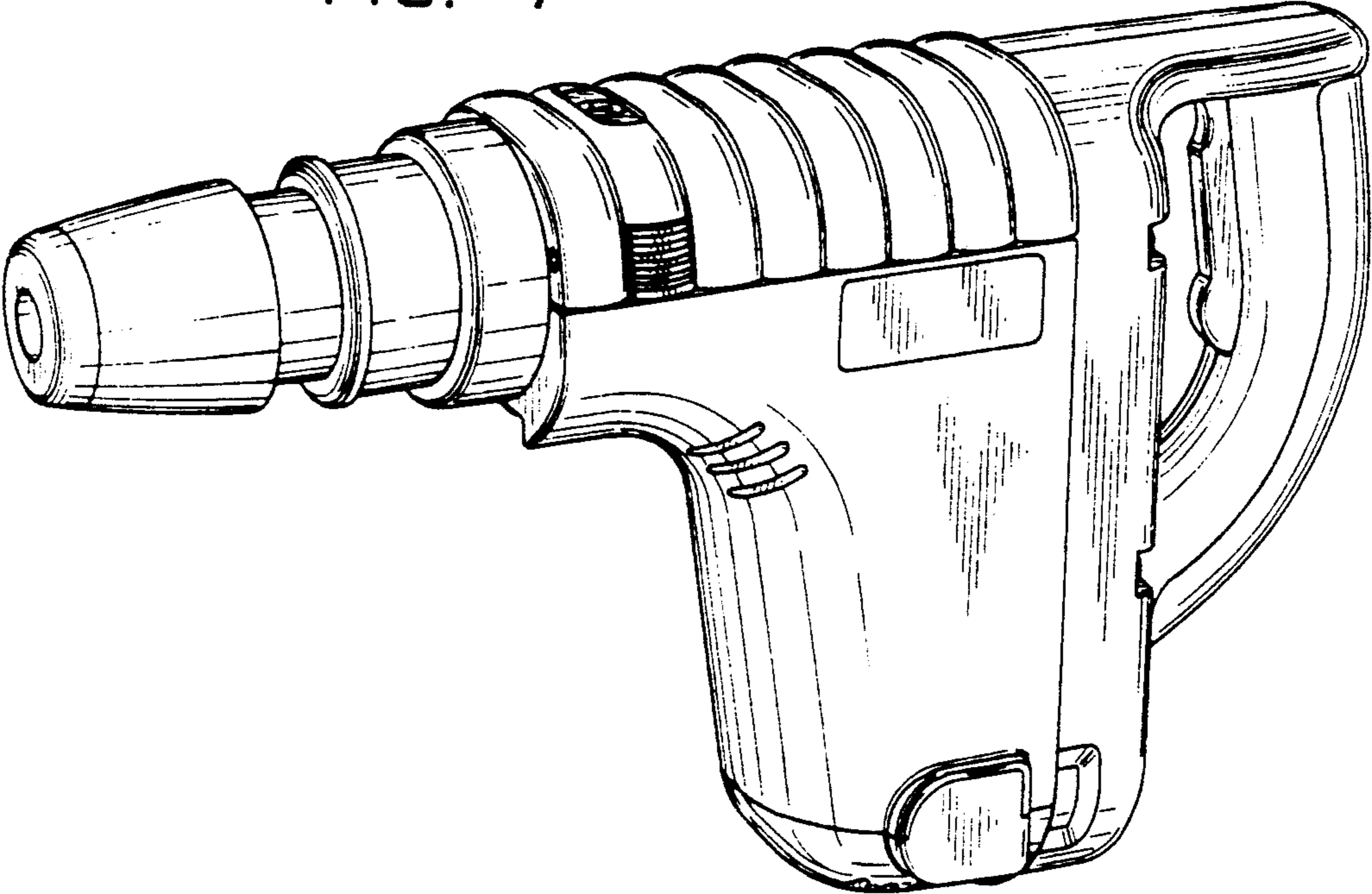


FIG. 2

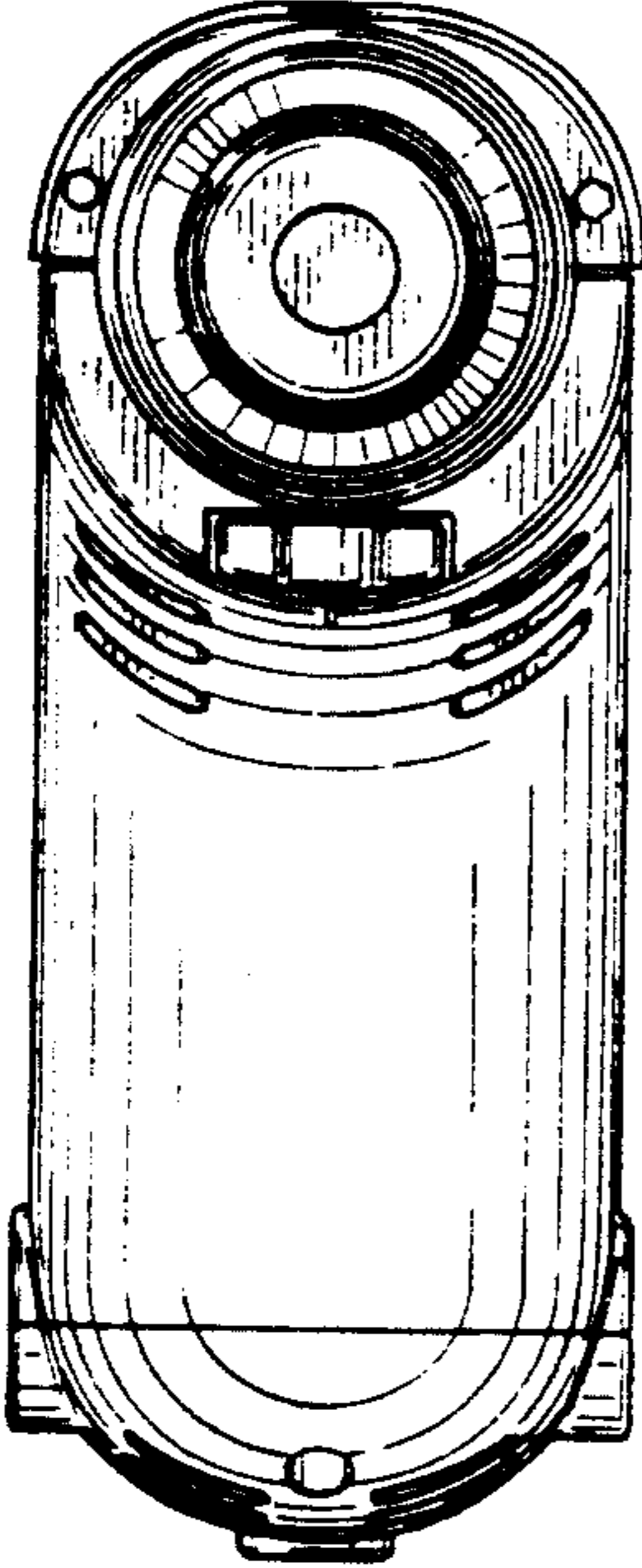


FIG. 3

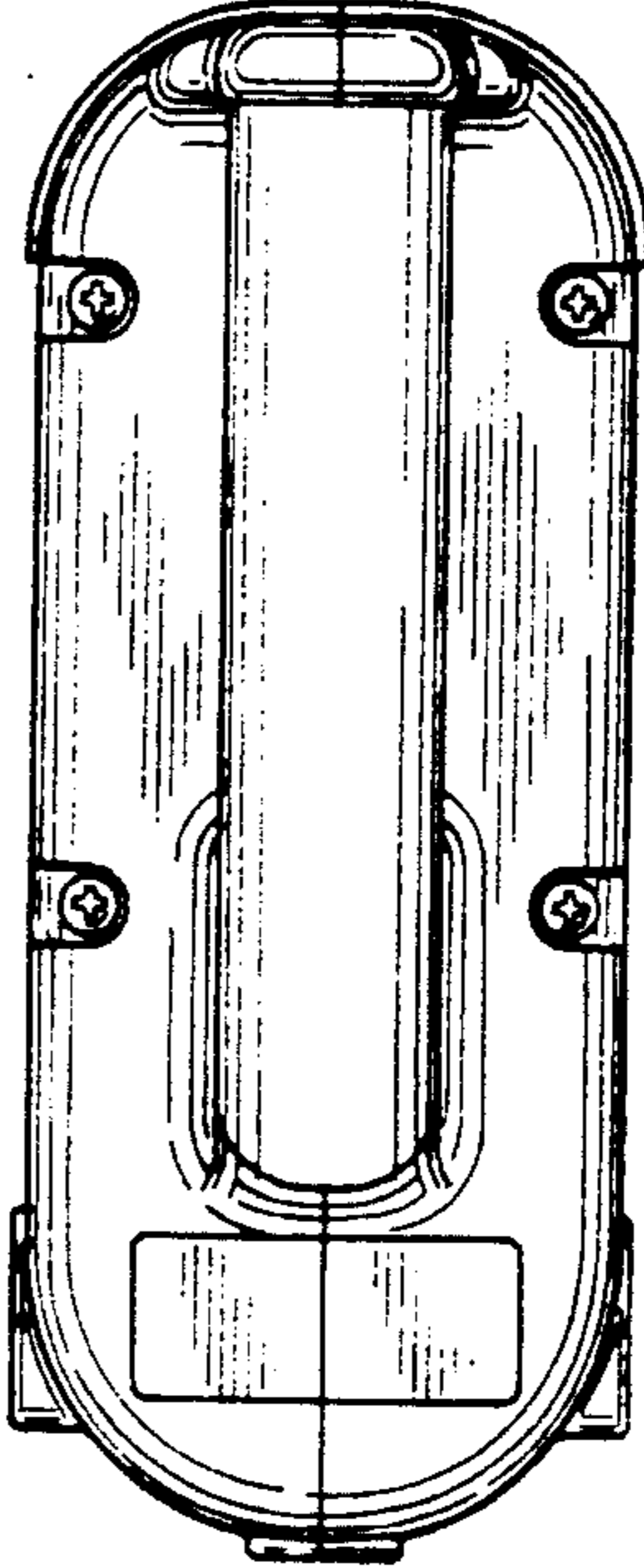


FIG. 4

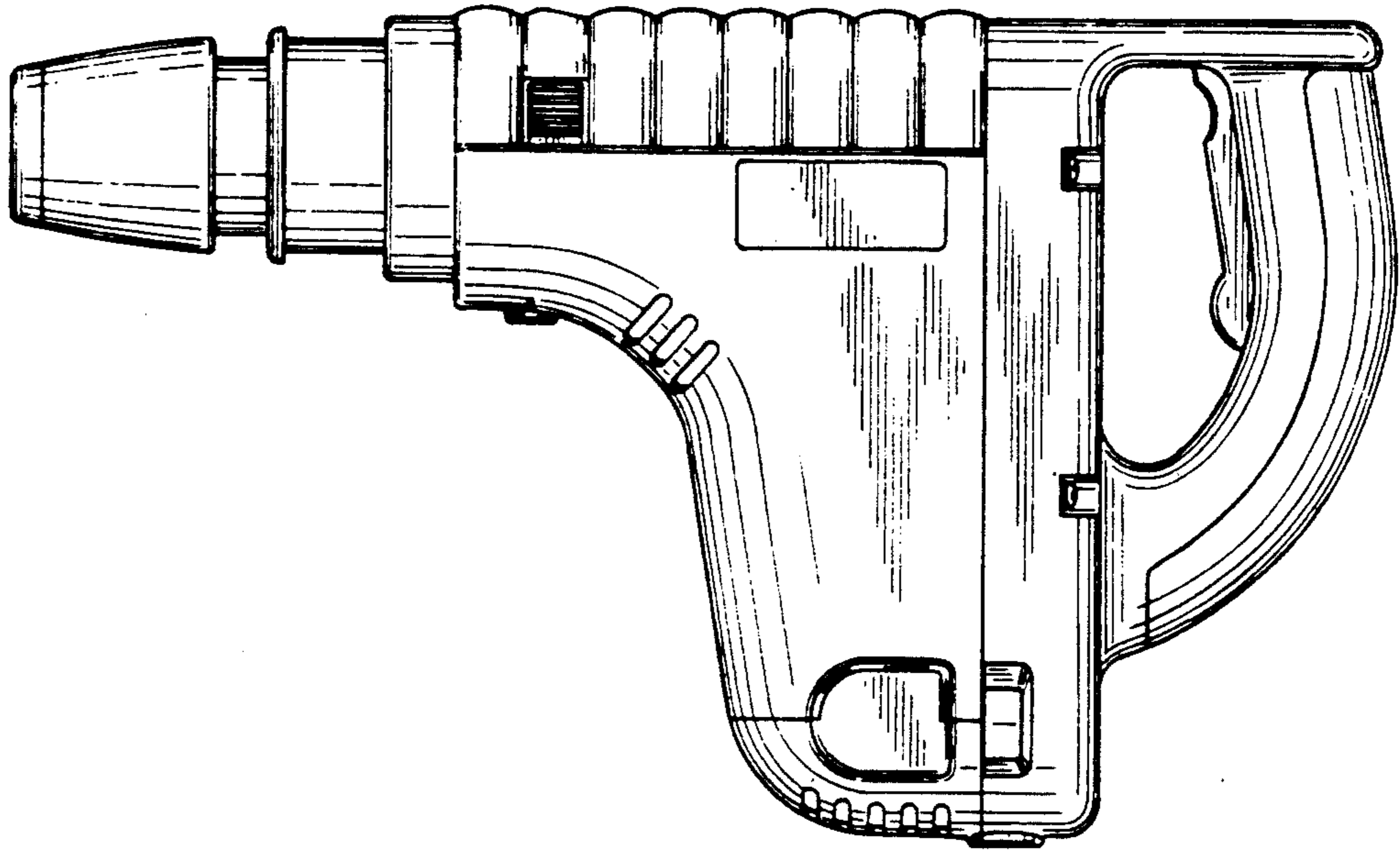


FIG. 5

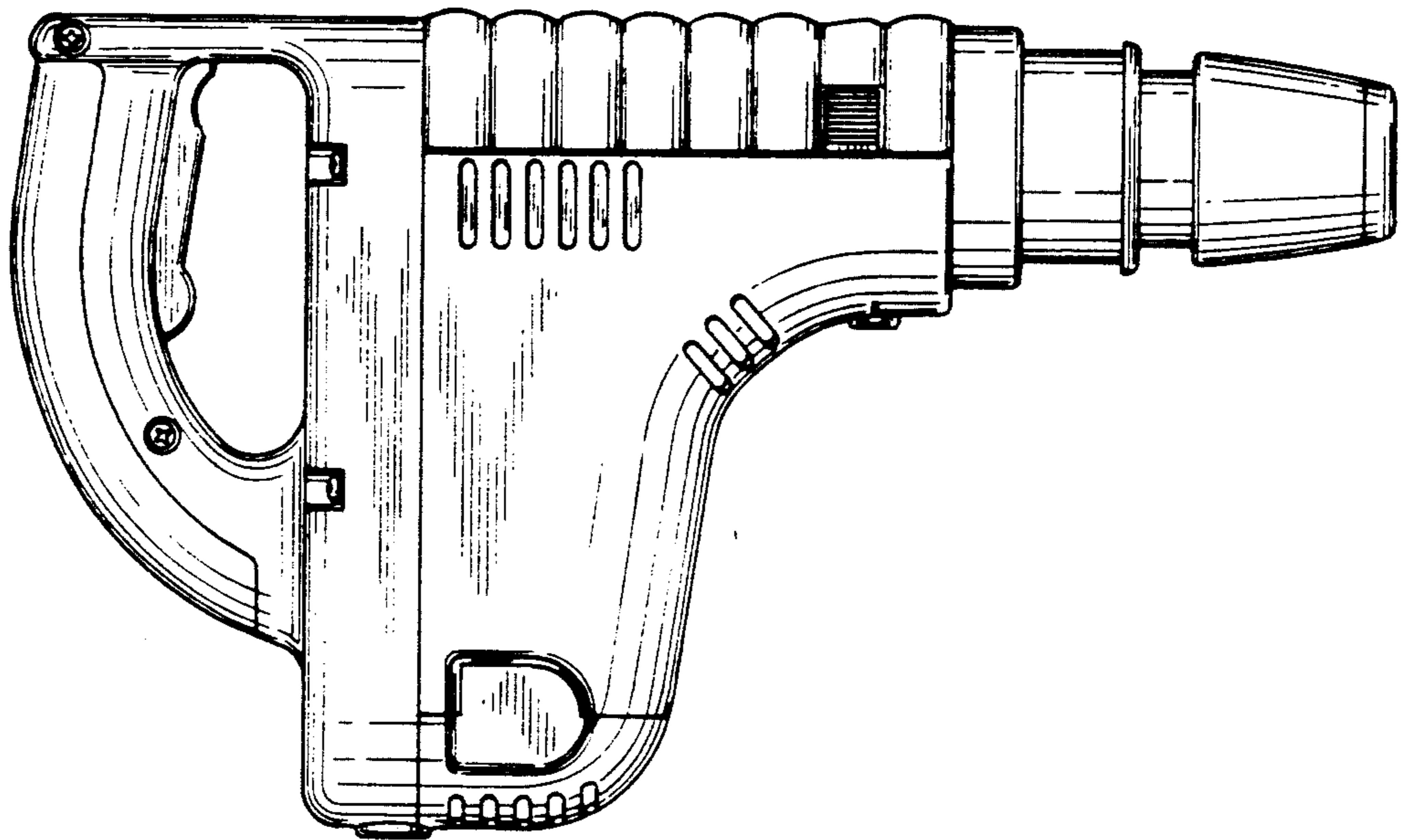


FIG. 6

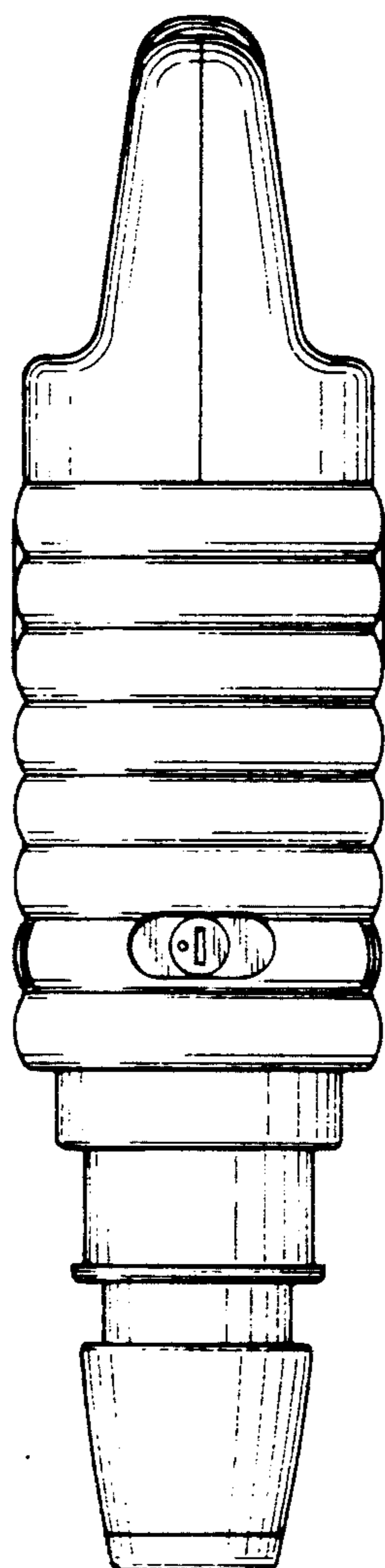


FIG. 7

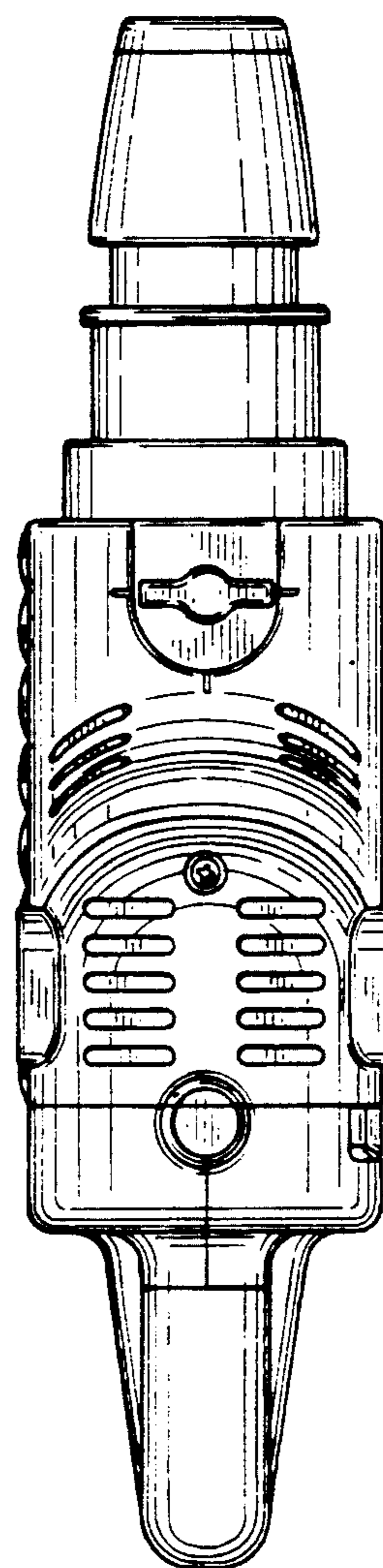
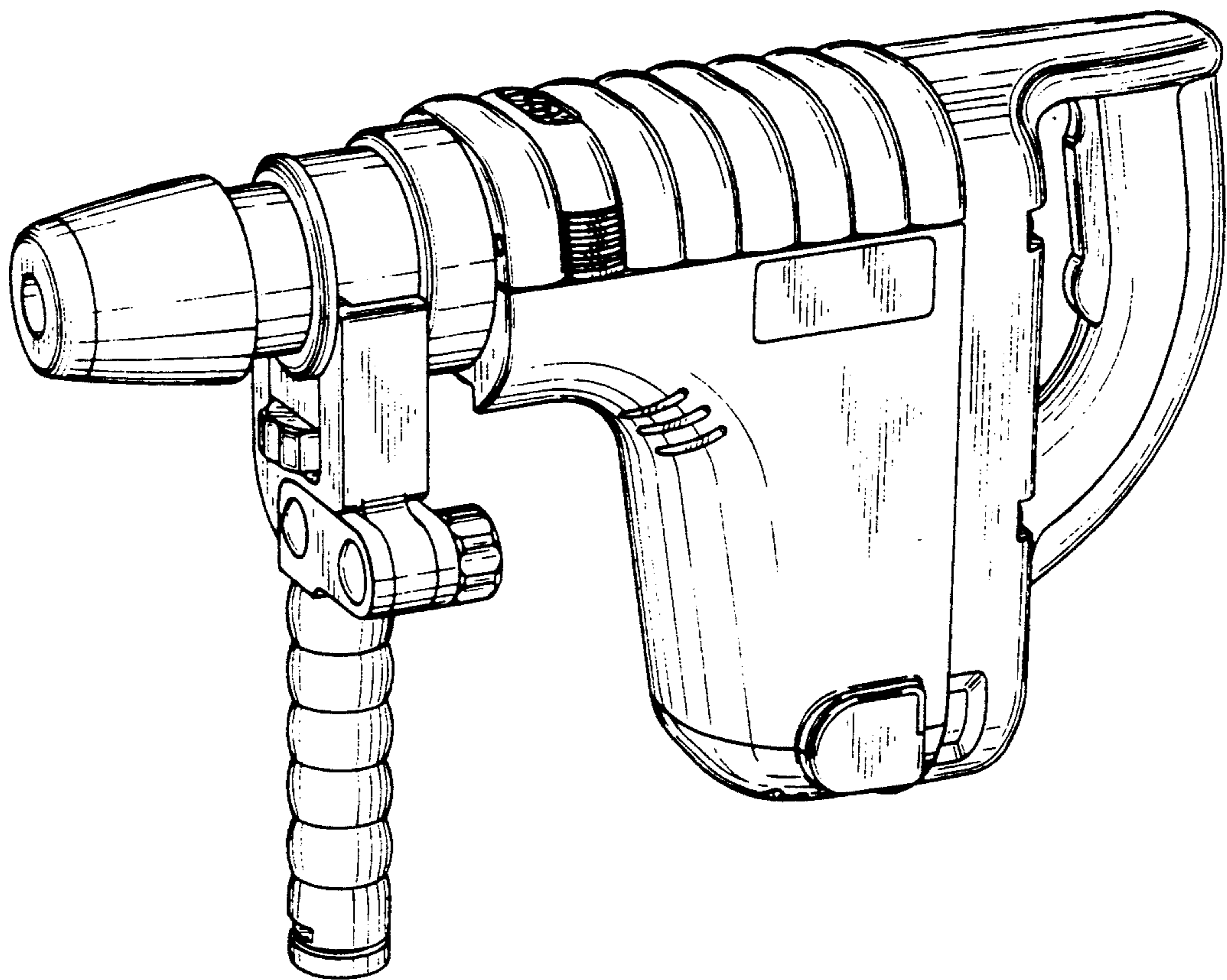


FIG. 8



UNITED STATES PATENT AND TRADEMARK OFFICE  
**CERTIFICATE OF CORRECTION**

PATENT NO. : D349,029

DATED : July 26, 1994

INVENTOR(S) : Naoki MATSUNAGA et al.

It is certified that error appears in the above-identified patent and that said Letters Patent is hereby corrected as shown below:

On the title page item [54],

delete the title and insert the following

therefor:

--PORTABLE ELECTRIC HAMMER DRILL--.

Signed and Sealed this

Thirty-first Day of January, 1995

Attest:



BRUCE LEHMAN

Attesting Officer

Commissioner of Patents and Trademarks