



US00D349023S

United States Patent [19]

Lindén et al.

[11] Patent Number: Des. 349,023

[45] Date of Patent: ** Jul. 26, 1994

[54] HAND CULTIVATOR

[75] Inventors: **Erkki O. Lindén**, Billnäs; **Karl S. Rönholm**, Karis, both of Finland

[73] Assignee: **Fiskars Consumer Oy Ab**, Fiskars, Finland

[**] Term: **14 Years**

[21] Appl. No.: **9,936**

[22] Filed: **Jun. 24, 1993**

[52] U.S. Cl. **D8/13**

[58] Field of Search D8/13; 294/50, 55.5, 294/52

[56] References Cited

U.S. PATENT DOCUMENTS

- D. 251,408 3/1979 Cumberlidge .
- D. 295,712 5/1988 Scott .
- D. 305,497 1/1990 Jasperson .
- D. 306,121 2/1990 Roman .
- D. 326,035 5/1992 Gecchelin .
- D. 339,039 9/1993 Concari D8/13 .
- 1,321,055 11/1919 Kingsbury .

OTHER PUBLICATIONS

- True Temper Catalog, Mar. 5, 1986, p. 29, digging fork, circled item in center of page.
- Ames Catalog, May, 1986, p. 39, cultivator, Item G at top of page.
- Union Fork & Hoe Company Catalog, Dec. 4, 1986, p. 37, cultivator, Item 14 at top of page.
- Washington Post Advertising Supplement, Jan. 1984, no page number, hand cultivator item F in center of page.
- Trump Garden Tool Catalog, Apr. 5, 1965, p. 4, fork, item No. 701 at top of page.
- Domus, Sep. 1988, p. 697, fork, item A in middle of page.

Primary Examiner—Wallace R. Burke
Assistant Examiner—H. Baynham
Attorney, Agent, or Firm—Foley & Lardner

[57] CLAIM

The ornamental design for a hand cultivator, as shown.

DESCRIPTION

FIG. 1 is a top plan view of the hand cultivator showing our new design;
 FIG. 2 is a front elevational view thereof with the rear view being a mirror image thereof;
 FIG. 3 is a left side elevational view thereof;
 FIG. 4 is a right side elevational view thereof; and,
 FIG. 5 is a bottom plan view thereof.

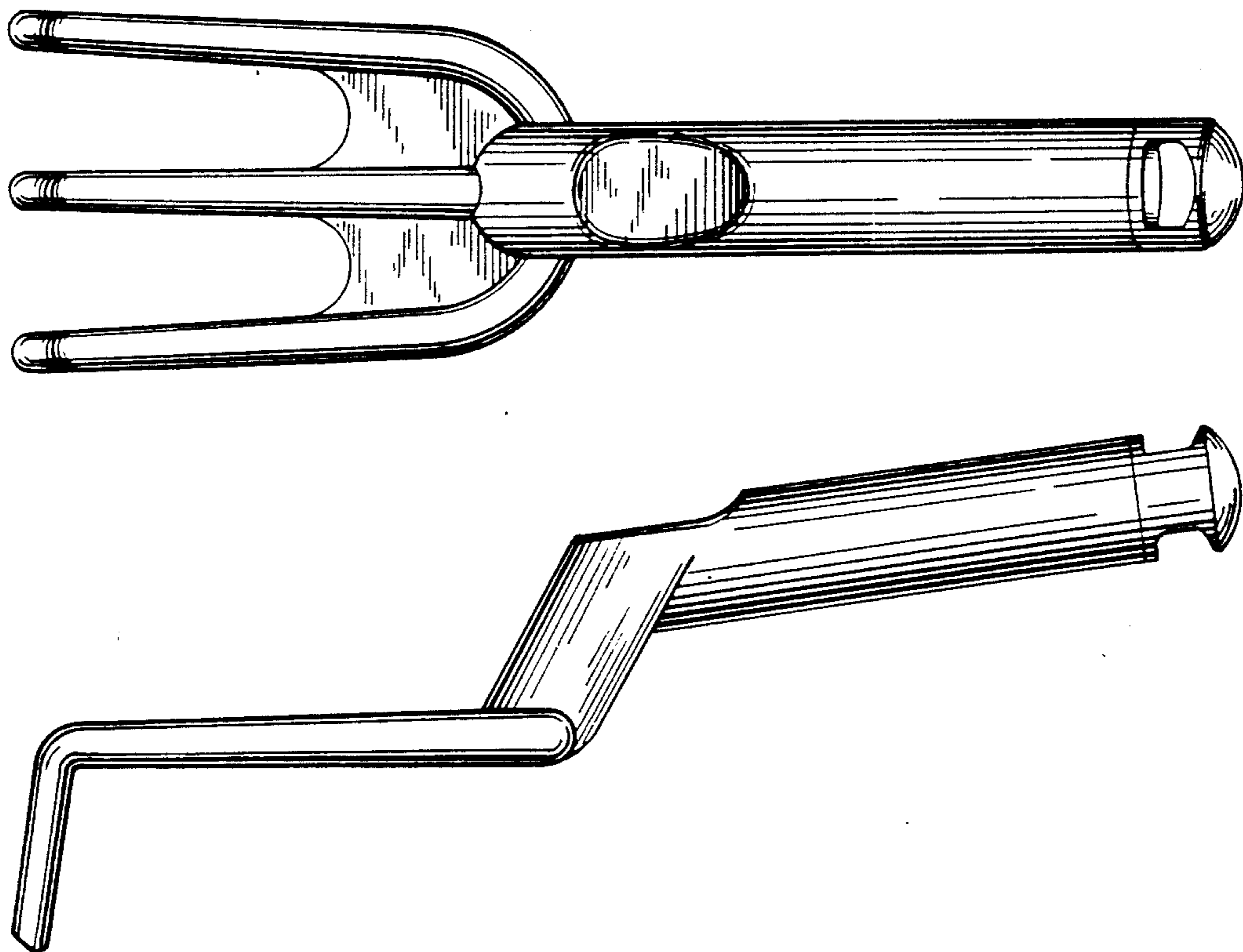


FIG. 1

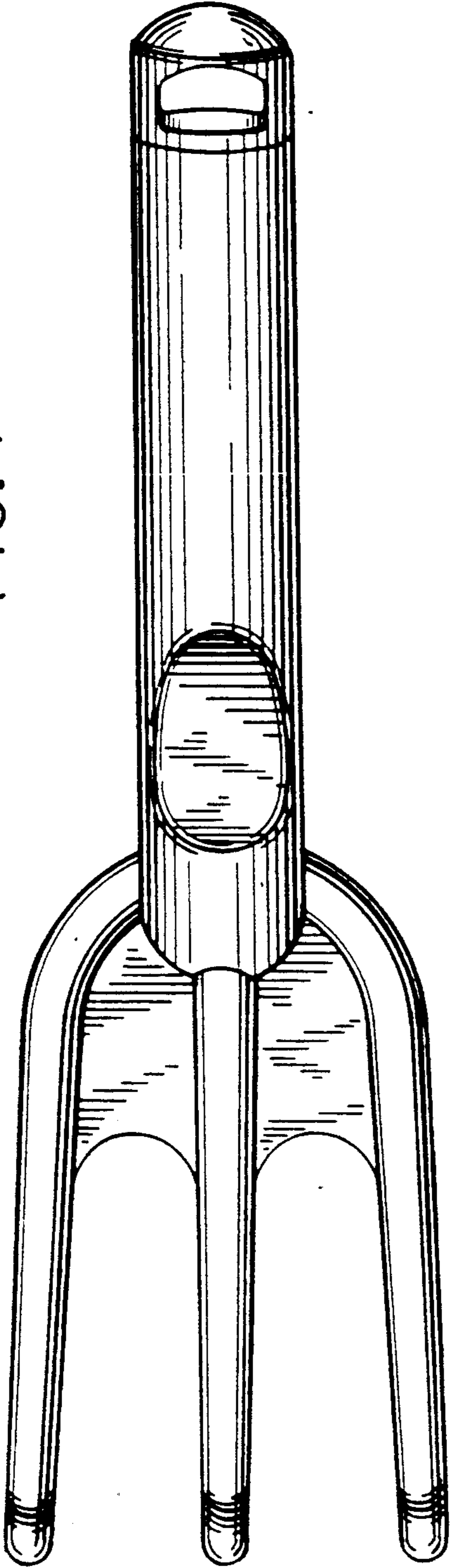


FIG. 2

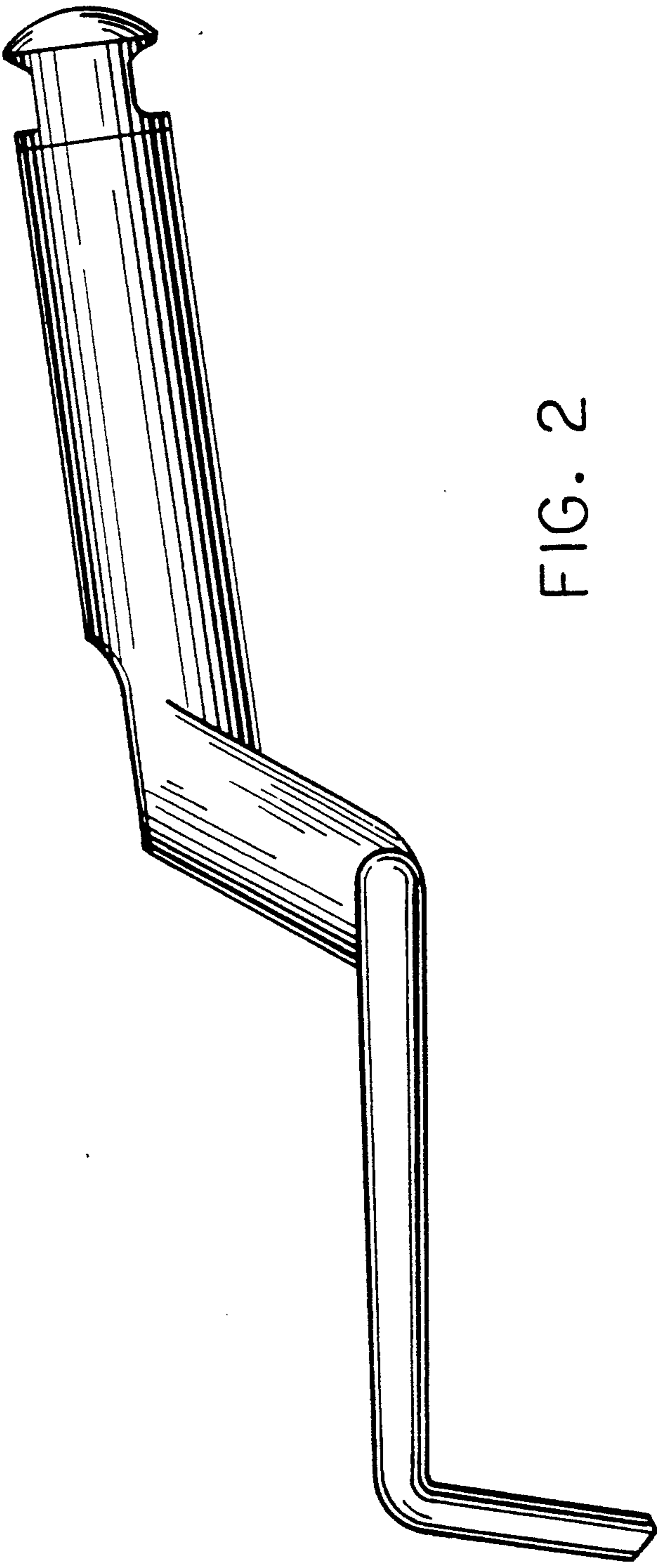


FIG. 4

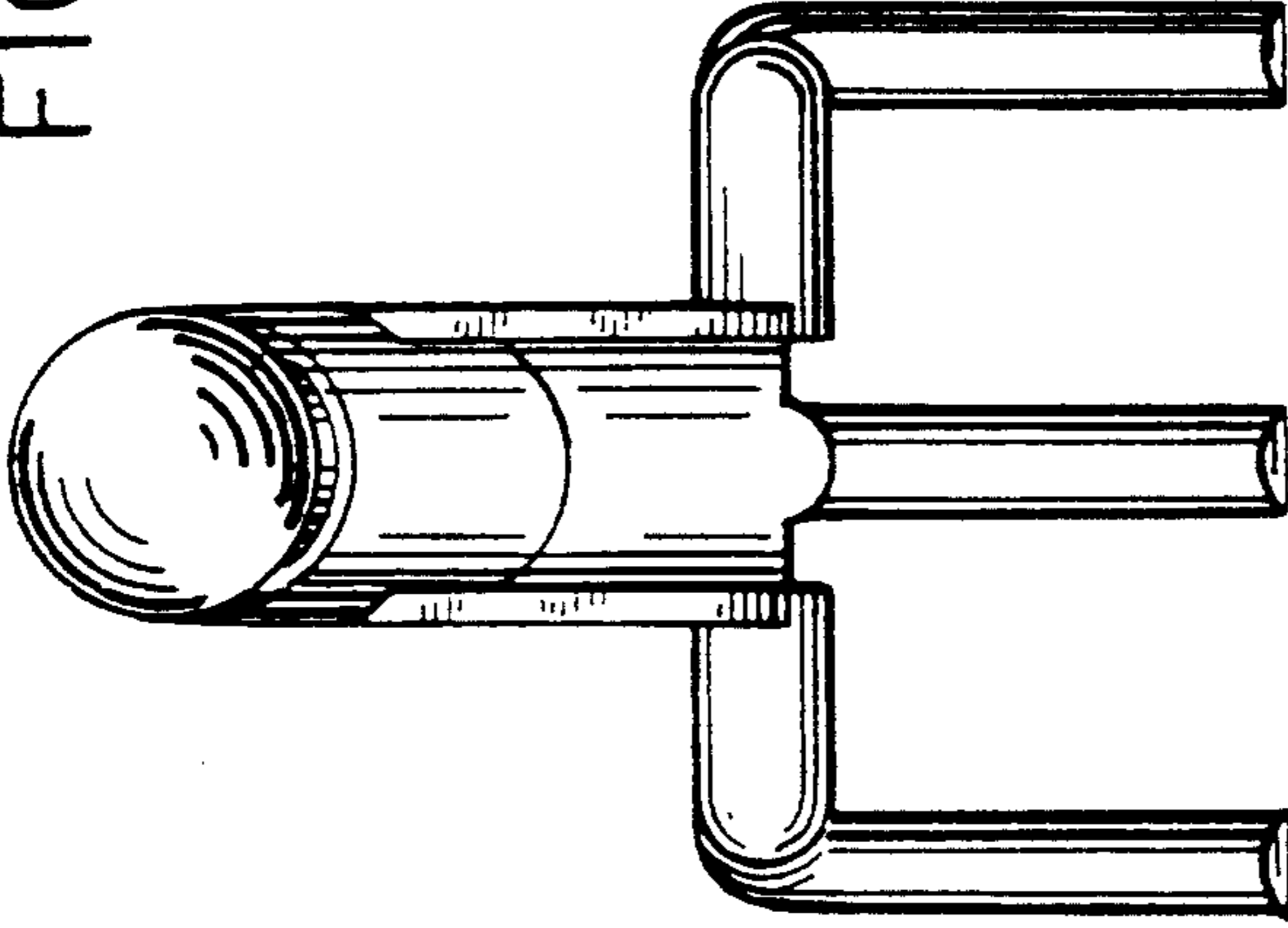


FIG. 3

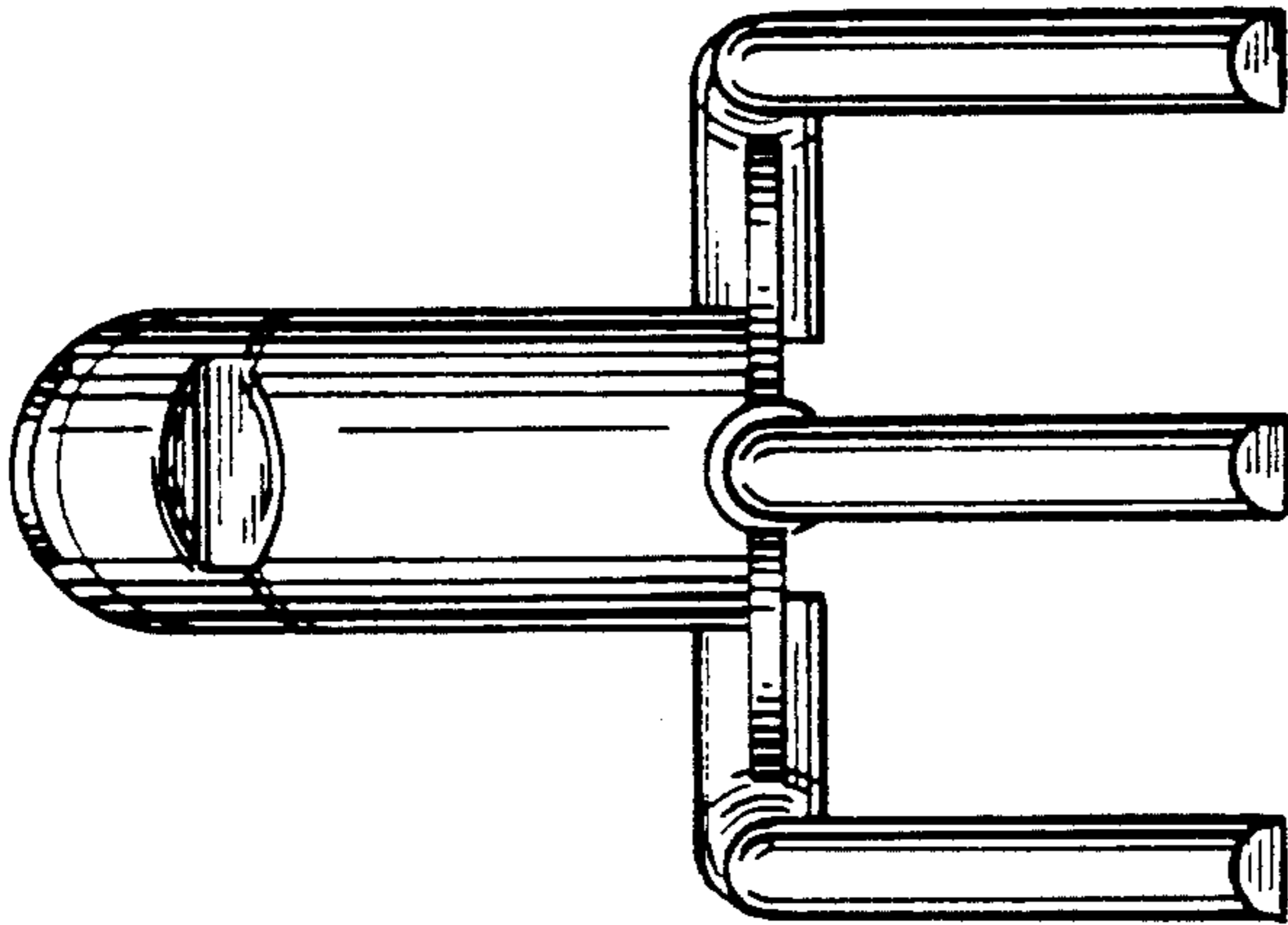


FIG. 5

