



US00D349021S

United States Patent [19]

[11] Patent Number: Des. 349,021

Gutknecht

[45] Date of Patent: ** Jul. 26, 1994

[54] HAND HELD GARDENING CULTIVATOR

3,530,577 9/1970 Franklin et al. 172/41 X
4,293,041 10/1981 Holmstadt 172/41 X

[76] Inventor: Leroy H. Gutknecht, 5673 Annie Oakley, Las Vegas, Nev. 89120

[**] Term: 14 Years

[21] Appl. No.: 12,841

[22] Filed: Sep. 9, 1993

OTHER PUBLICATIONS

Black & Decker brochure, Spring/Summer 1975, no page number, portable garden cultivator.

Primary Examiner—Wallace R. Burke
Assistant Examiner—H. Baynham
Attorney, Agent, or Firm—Jack C. Munro

Related U.S. Application Data

[63] Continuation of Ser. No. 941,880, Sep. 8, 1992, abandoned.

[52] U.S. Cl. D8/1

[58] Field of Search D8/1, 8, DIG. 7;
172/41; D15/18, 11

[57] CLAIM

The ornamental design for hand held gardening cultivator, as shown and described.

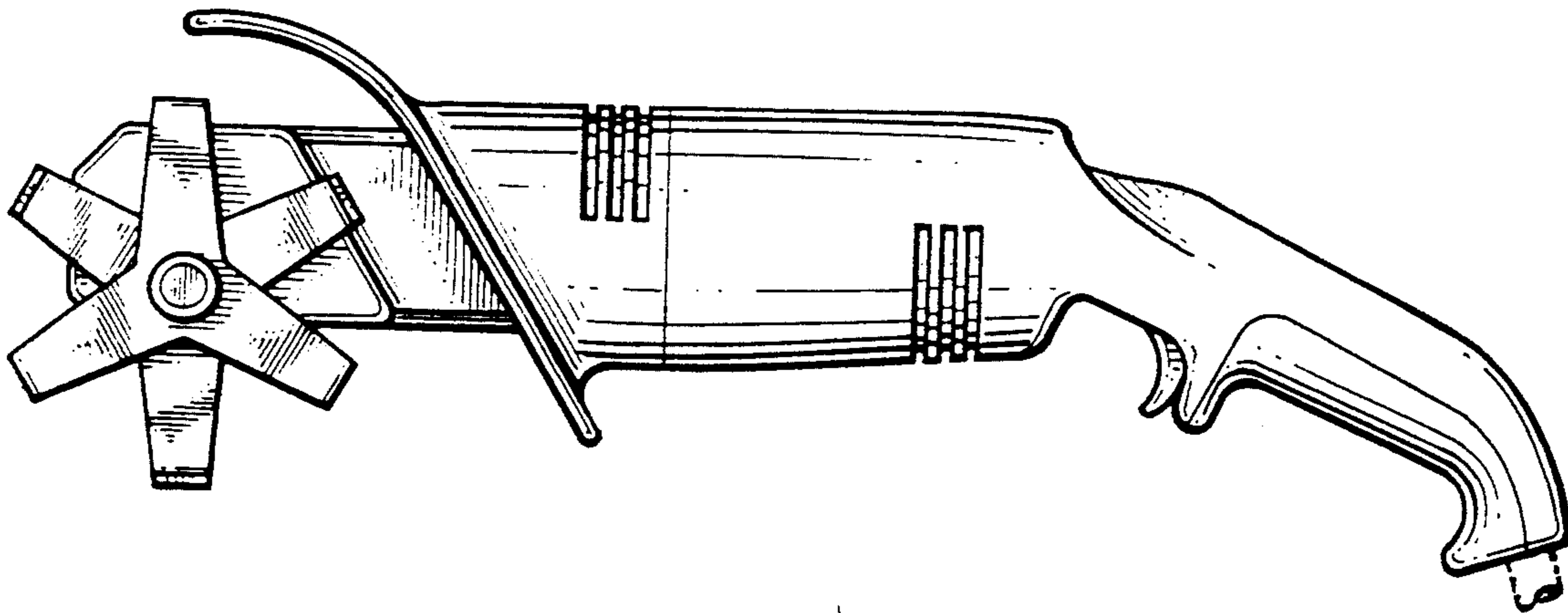
[56] References Cited

U.S. PATENT DOCUMENTS

D. 268,000	2/1983	Dellinger	D8/8
D. 285,894	9/1986	Kawakami et al.	D8/8
D. 325,856	5/1992	Gierke	D8/8
D. 333,953	3/1993	Miyoshi et al.	D8/8
2,805,611	9/1957	Fletchall	172/41
2,823,597	2/1958	Kelsey	172/41
2,907,395	10/1959	Moe	172/41

DESCRIPTION

FIG. 1 is a front view of the hand held gardening cultivator showing my new design;
FIG. 2 is a right side view thereof with the left side view being identical but reversed;
FIG. 3 is a rear elevational view thereof;
FIG. 4 is a top elevational view thereof; and,
FIG. 5 is a bottom elevational view thereof.
The broken line showing of a portion of a cord is for illustrative purposes only and forms no part of the claimed design.



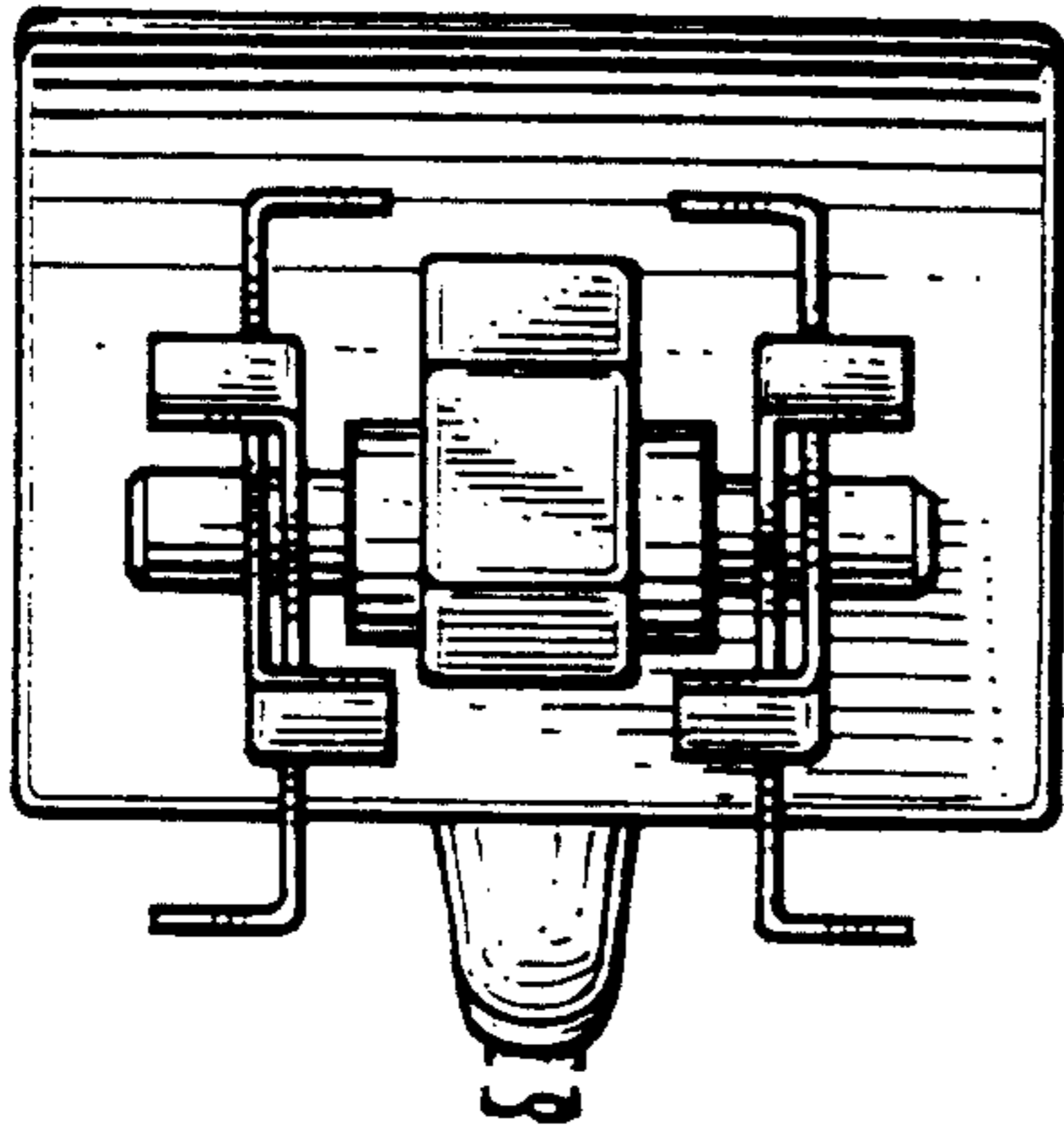


Fig. 1.

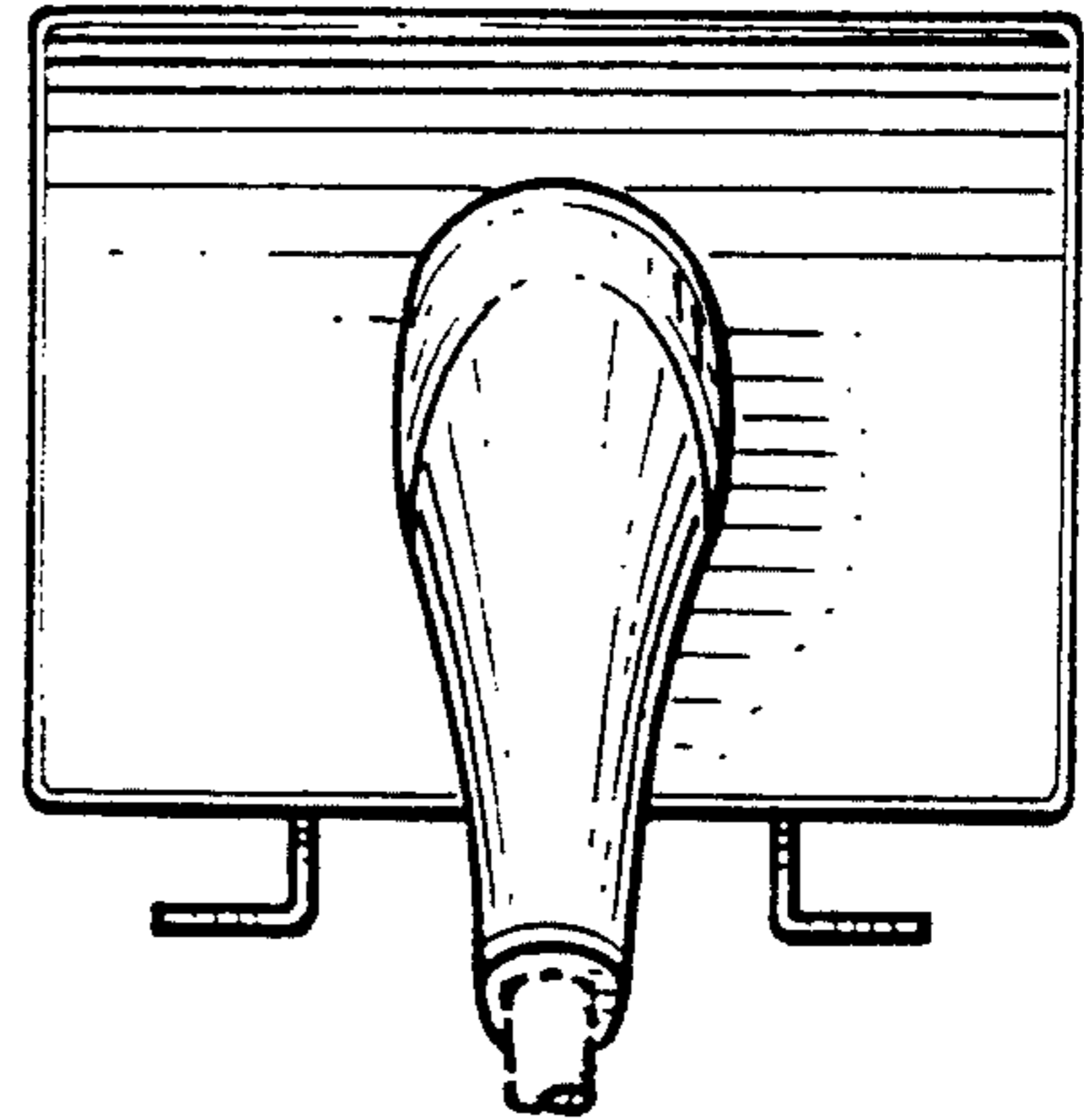


Fig. 3.

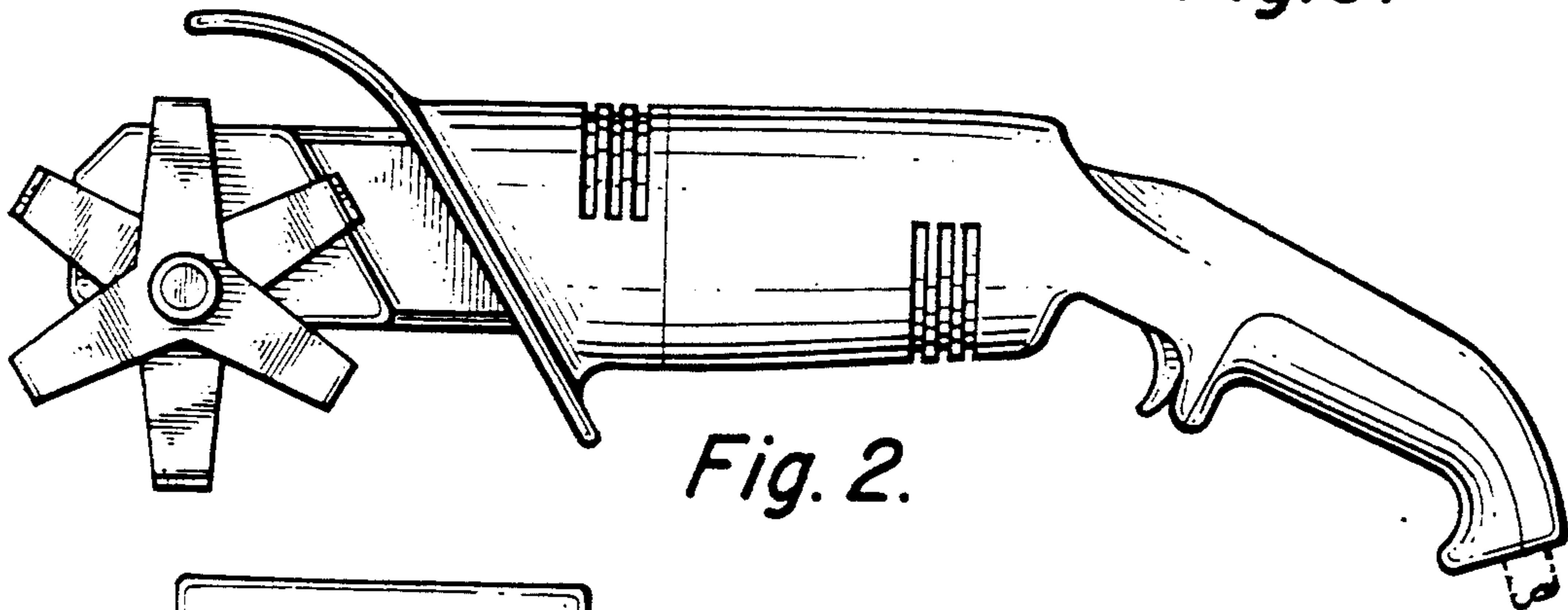


Fig. 2.

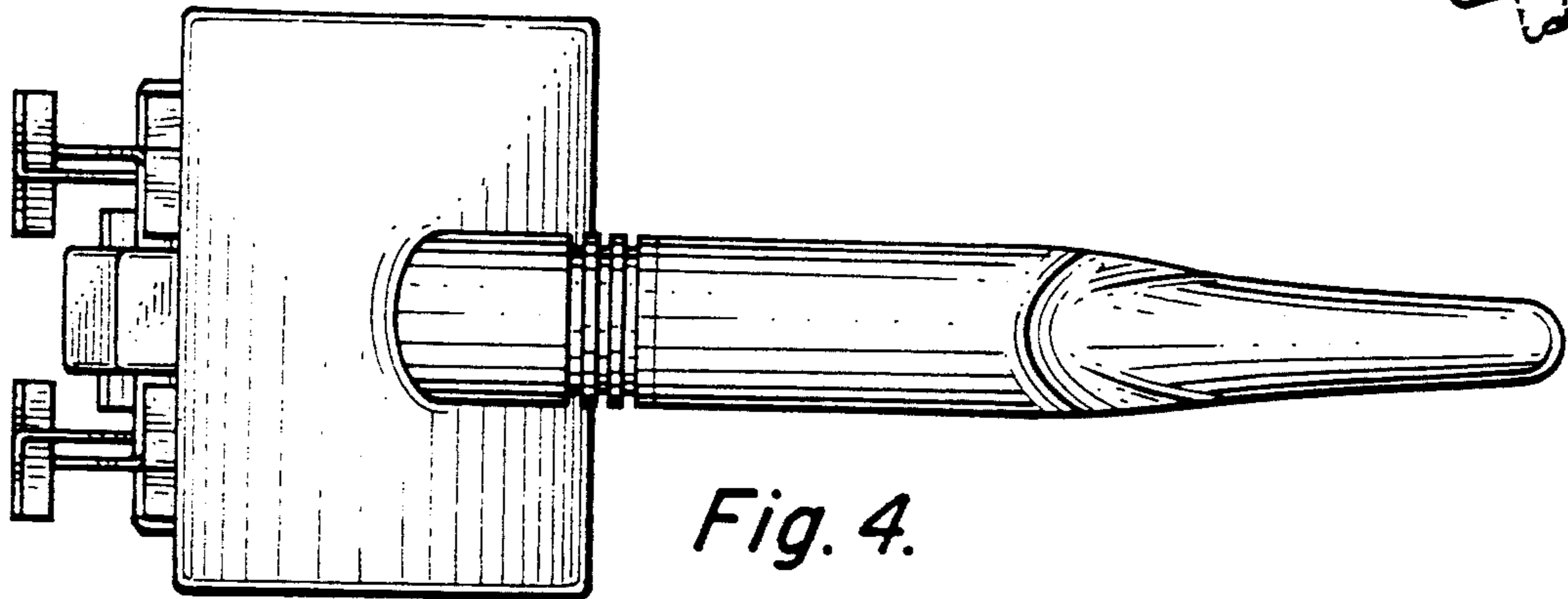


Fig. 4.

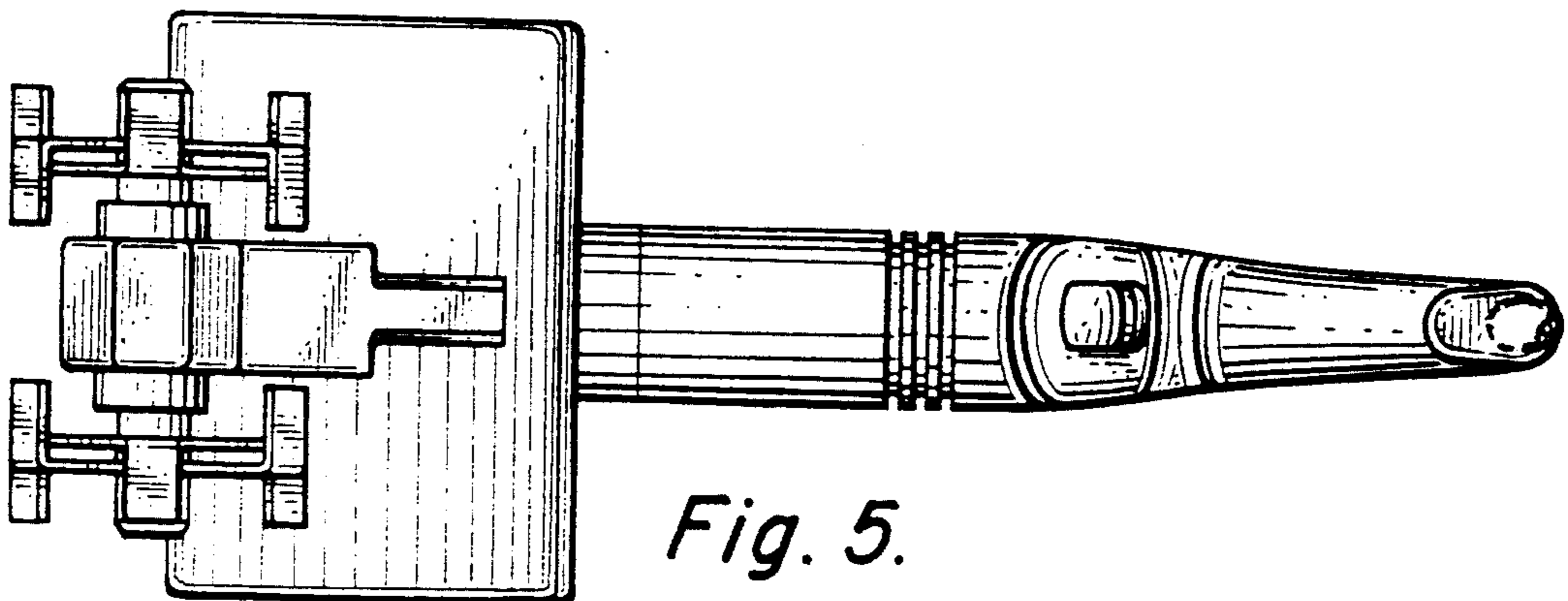


Fig. 5.