



US00D349020S

# United States Patent [19]

[11] Patent Number: **Des. 349,020**

Swartz

[45] Date of Patent: **\*\* Jul. 26, 1994**

[54] **FUNNEL FOR USE WITH WATER COOLER BOTTLES**

4,961,449 10/1990 Demeautis ..... 141/349  
5,123,461 6/1992 Belokin, Jr. et al. .... 141/331 X

[76] Inventor: **Mark A. Swartz**, 63 Jameslee Dr.,  
Chambersburg, Pa. 17201

*Primary Examiner*—Terry A. Wallace  
*Attorney, Agent, or Firm*—Terry M. Gernstein

[\*\*] Term: **14 Years**

[57] **CLAIM**

[21] Appl. No.: **4,484**

The ornamental design for a funnel for use with water cooler bottles, as shown and described.

[22] Filed: **Feb. 5, 1993**

[52] U.S. Cl. .... **D7/700**

[58] Field of Search ..... **D7/700; 141/297-300,  
141/331-345; D15/150, 199**

### DESCRIPTION

[56] **References Cited**

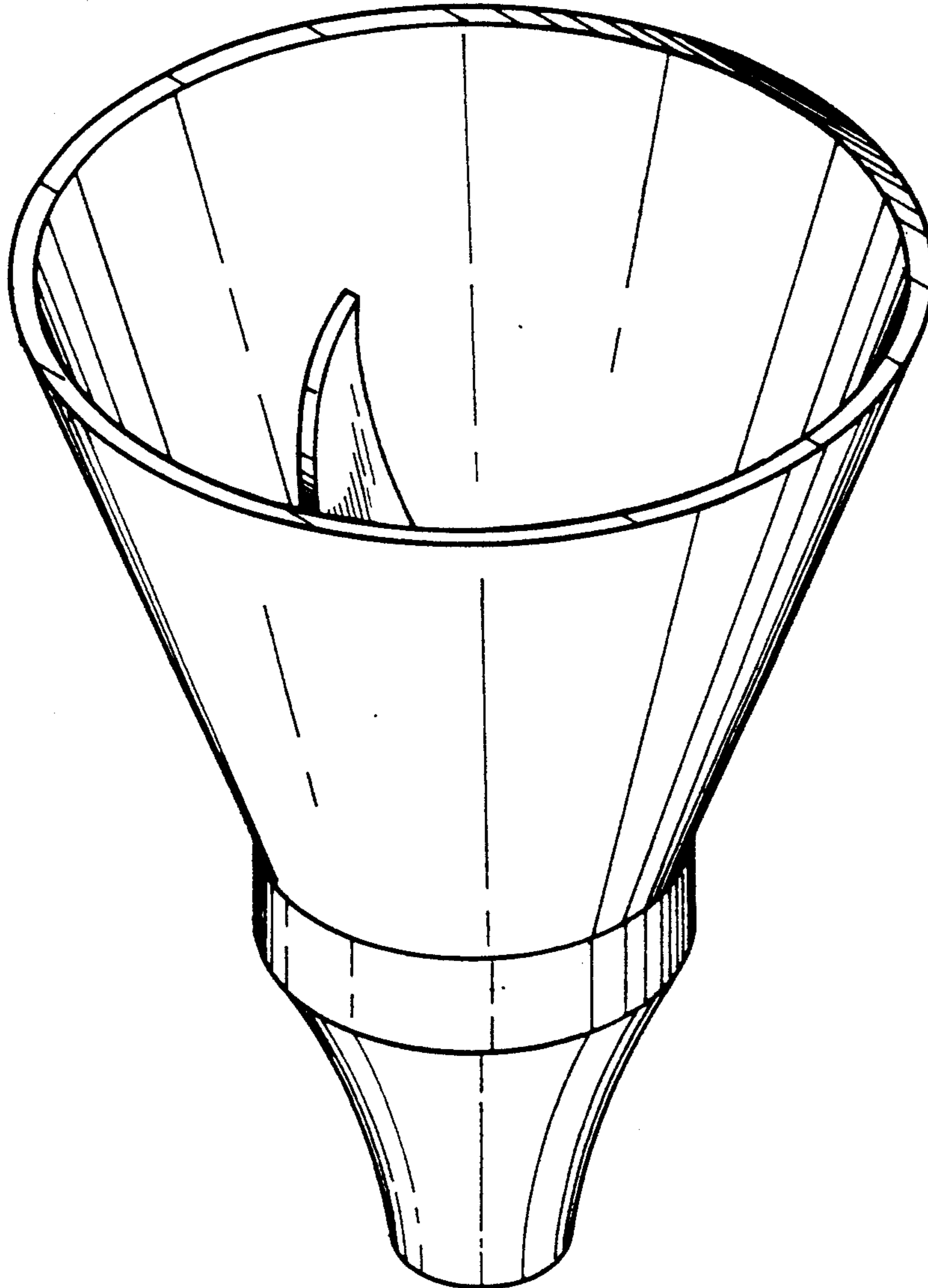
#### U.S. PATENT DOCUMENTS

2,058,925 10/1936 Tompkins ..... 141/332 X  
4,898,305 2/1990 Morris ..... 141/349  
4,903,741 2/1990 Ibanez ..... 141/349

FIG. 1 is a front, top and side perspective view of the funnel for use with water cooler bottles showing my new design;

FIG. 2 is a typical elevational view thereof, with all elevational views being identical to that shown in FIG. 2;

FIG. 3 is a top plan view thereof; and,  
FIG. 4 is a bottom plan view thereof.



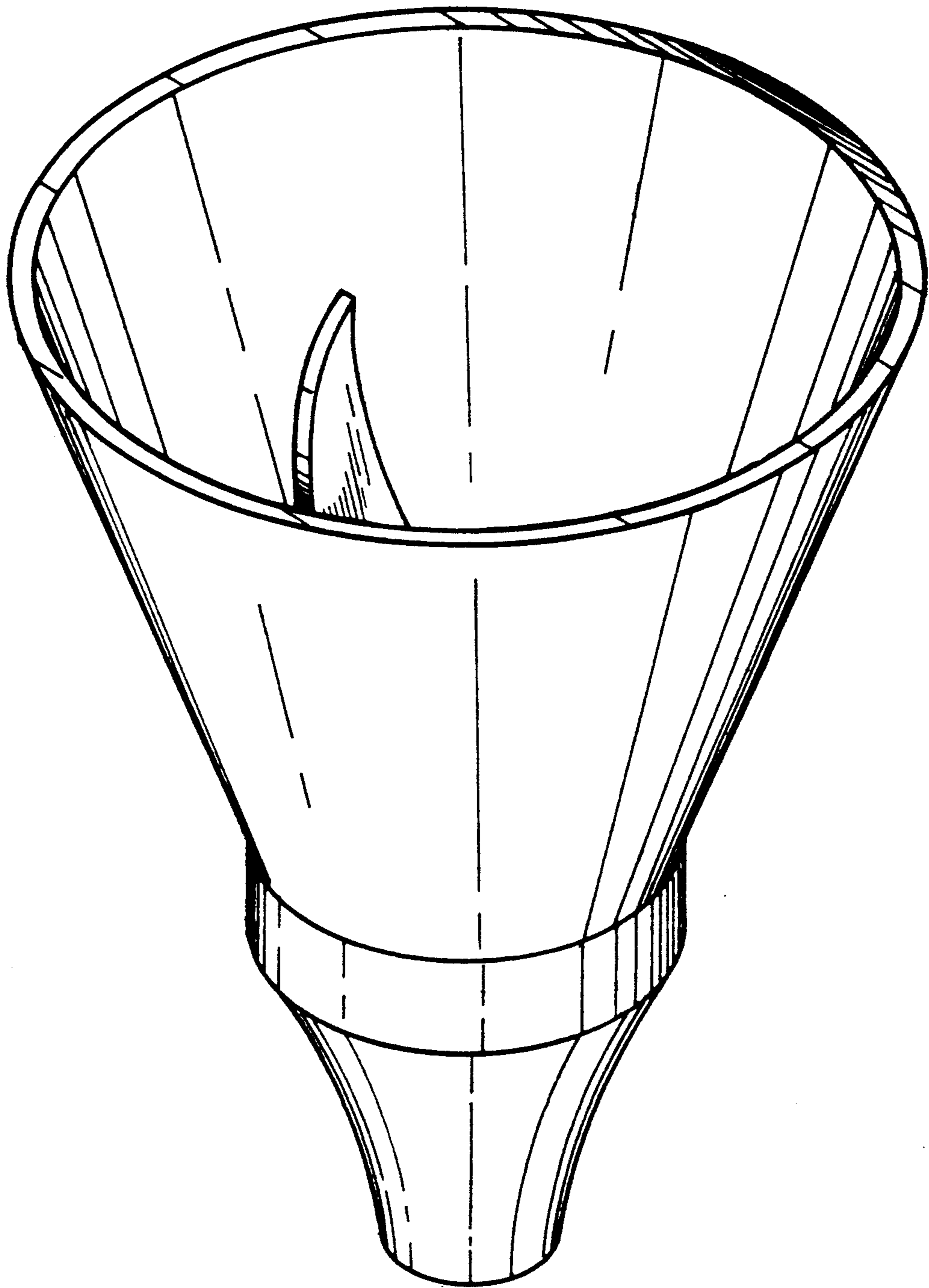


FIG. 1

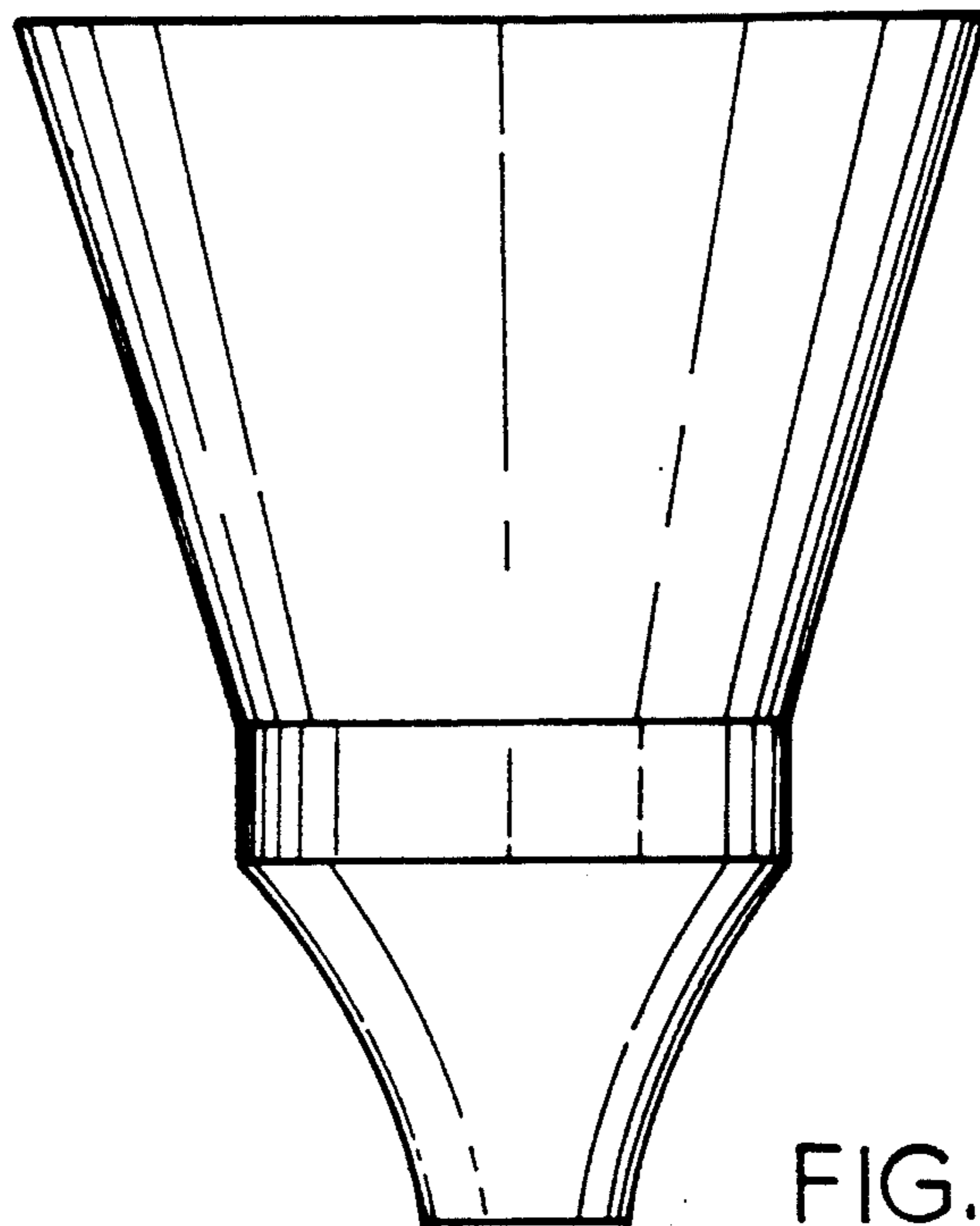


FIG. 2

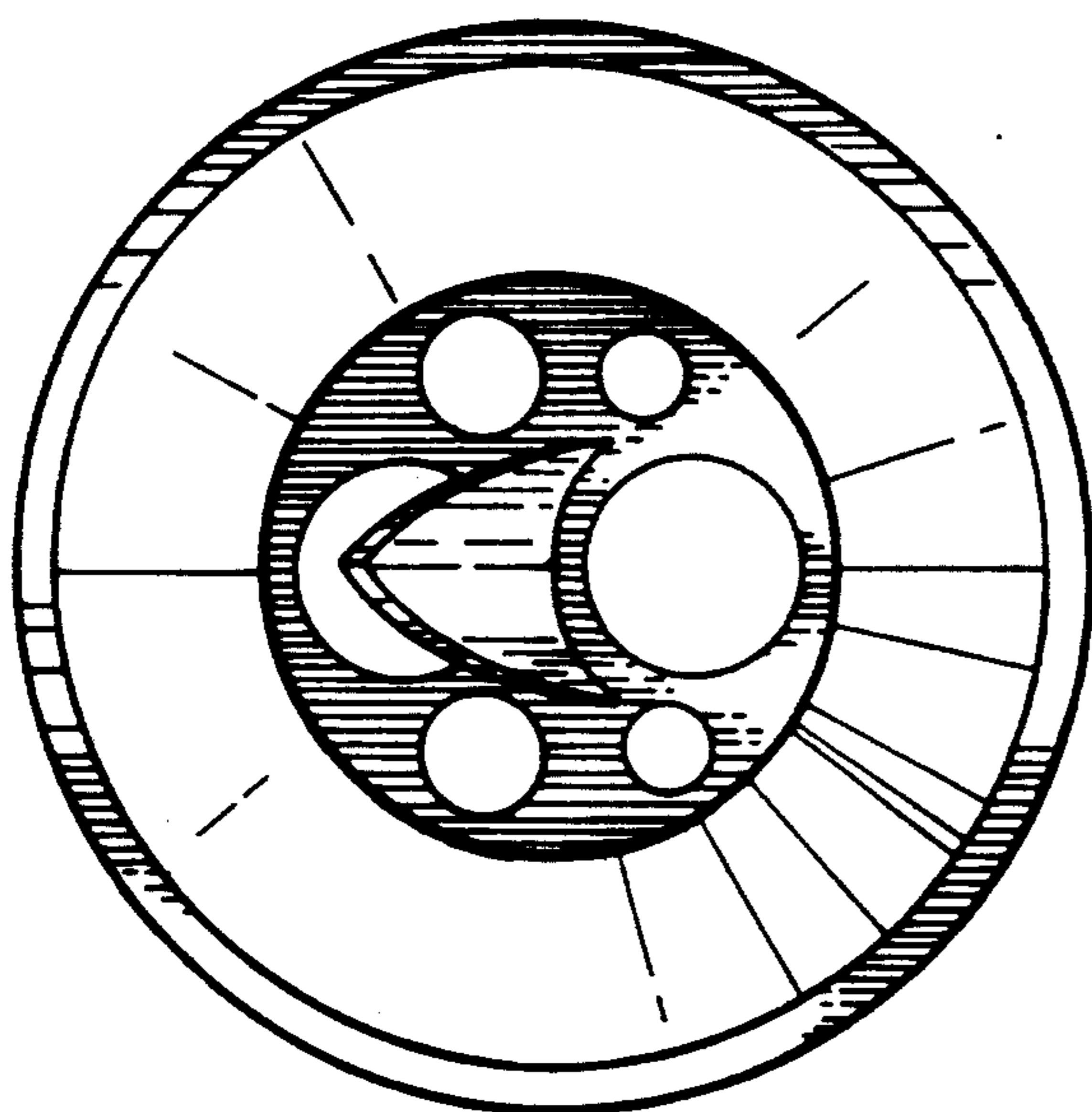


FIG. 3

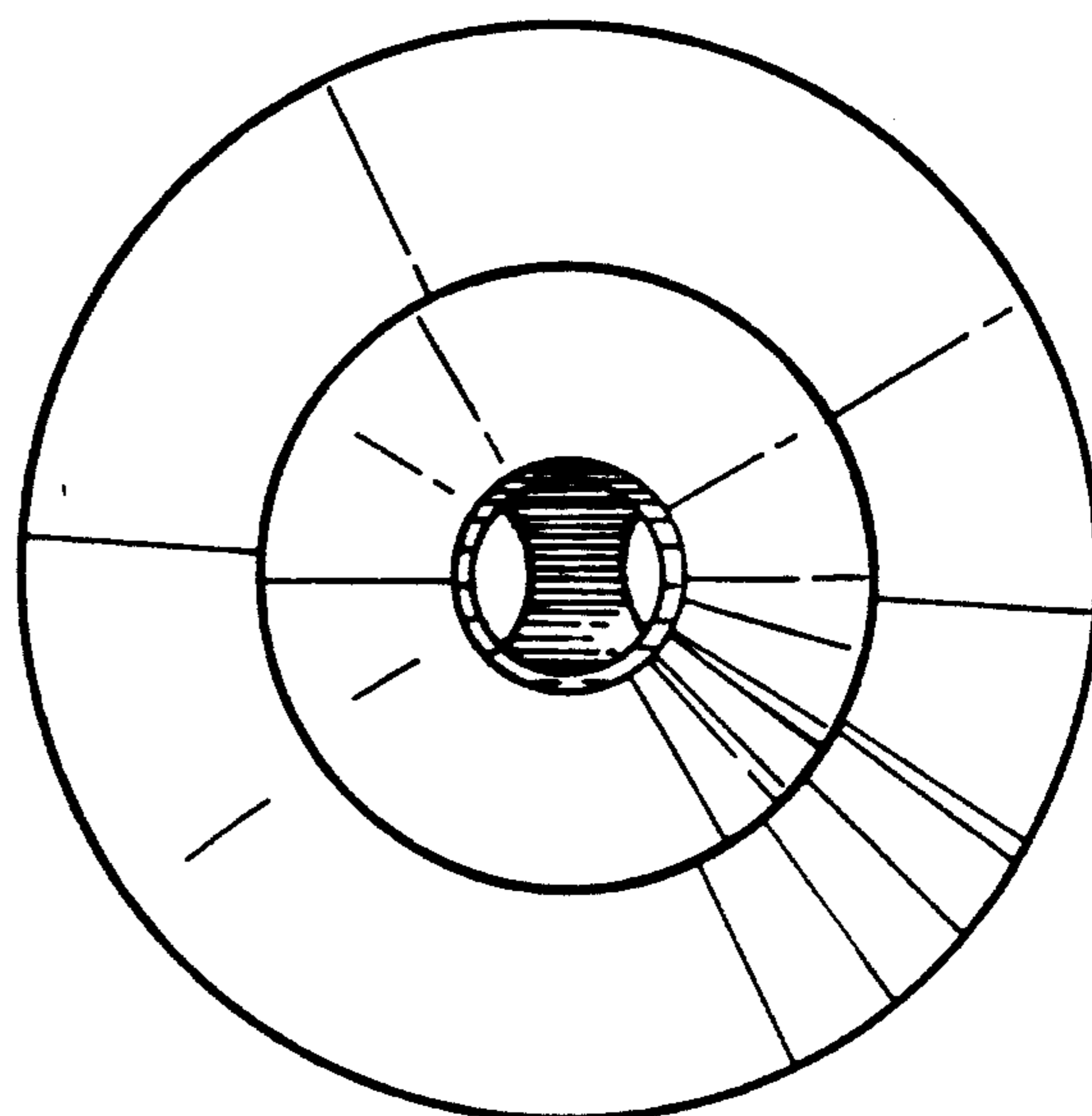


FIG. 4