



US00D349015S

# United States Patent [19]

Kaiser

[11] Patent Number: **Des. 349,015**

[45] Date of Patent: **\*\* Jul. 26, 1994**

[54] **PRETZEL FOOD MOLD**

[56] **References Cited**

### U.S. PATENT DOCUMENTS

[75] Inventor: **Ursula Kaiser, Riverside, Ill.**

D. 247,734	4/1978	Ryan, Jr.	.....	D7/675
2,478,571	8/1949	Creider	.....	30/301
2,612,123	9/1952	Nord	.....	D7/676 X

[73] Assignee: **Kitchen Connection, Inc., Lyons, Ill.**

*Primary Examiner*—Terry A. Wallace  
*Attorney, Agent, or Firm*—Patula & Associates

[\*\*] Term: **14 Years**

### [57] CLAIM

The ornamental design for a pretzel food mold, as shown.

[21] Appl. No.: **1,488**

### DESCRIPTION

[22] Filed: **Nov. 16, 1992**

FIG. 1 is a top plan view of a pretzel food mold showing my new design;

[52] U.S. Cl. .... **D7/675**

FIG. 2 is a bottom plan view thereof;

[58] Field of Search ..... **D7/672, 673, 675-676;**  
**30/314-316, 301; 425/323, 298, 299; 426/104;**  
**249/117, DIG. 1**

FIG. 3 is a side elevational view thereof;

FIG. 4 is a rear elevational view thereof; and,

FIG. 5 is a front elevational view thereof.

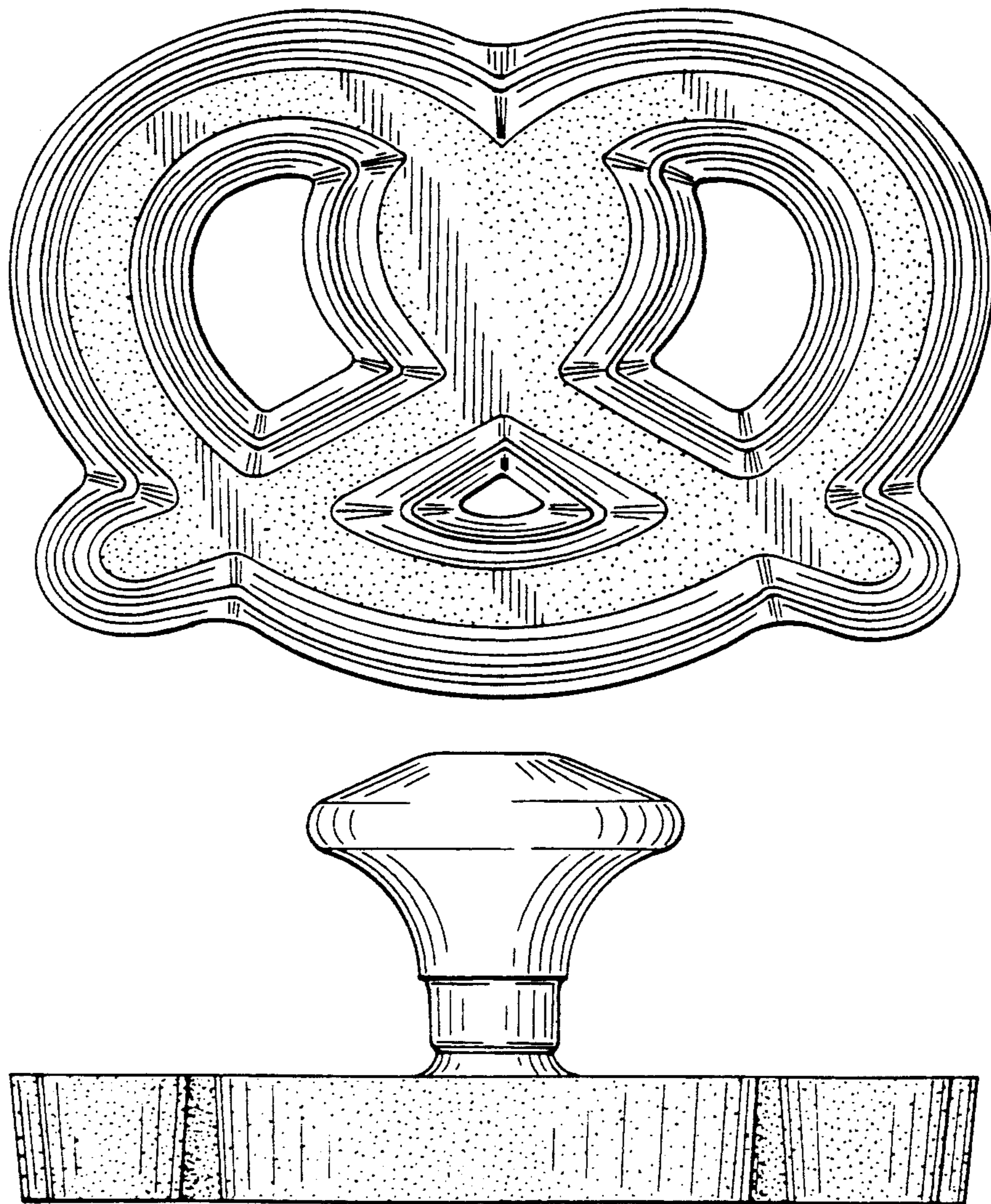


FIG. 1

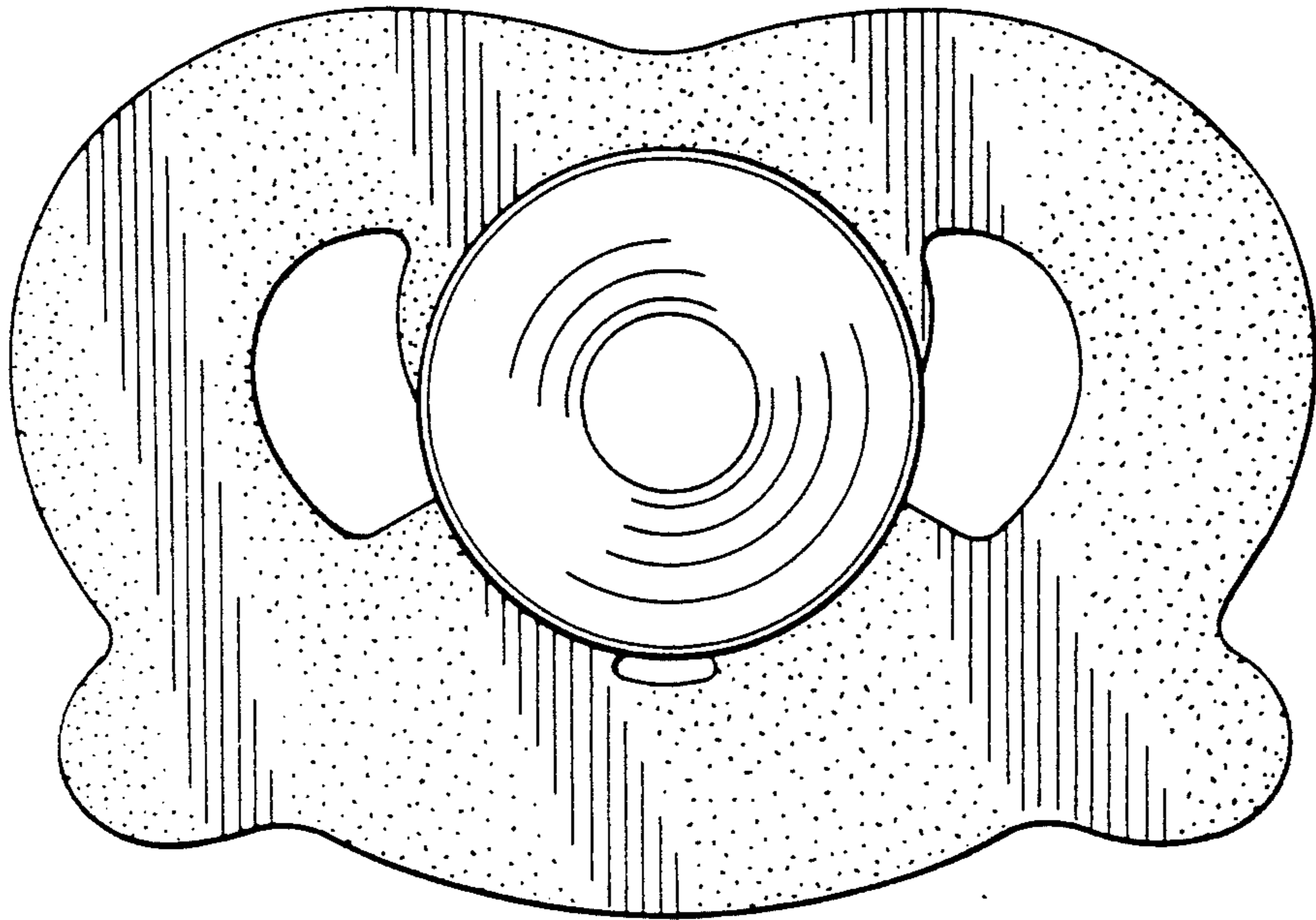


FIG. 2

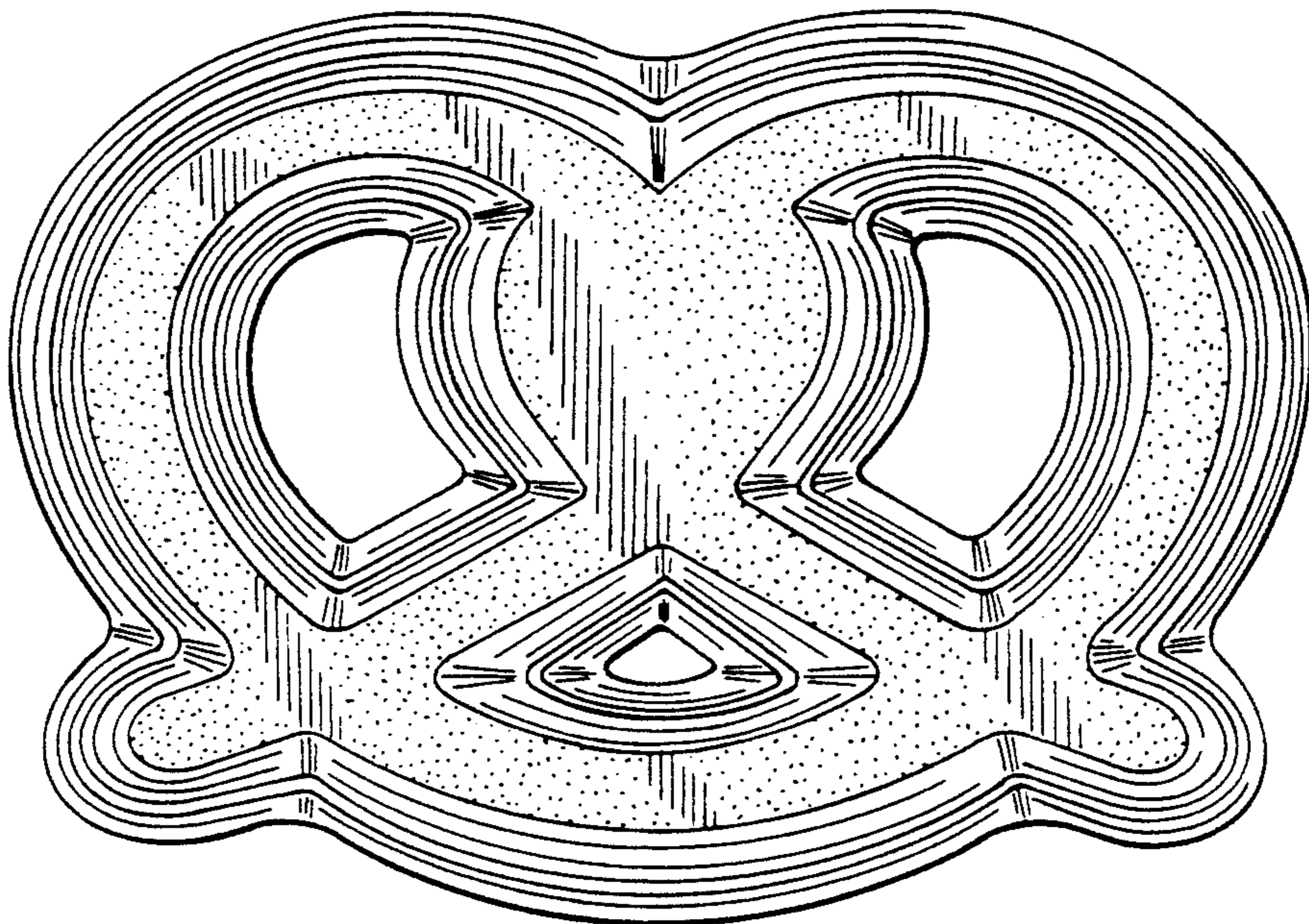


FIG. 3

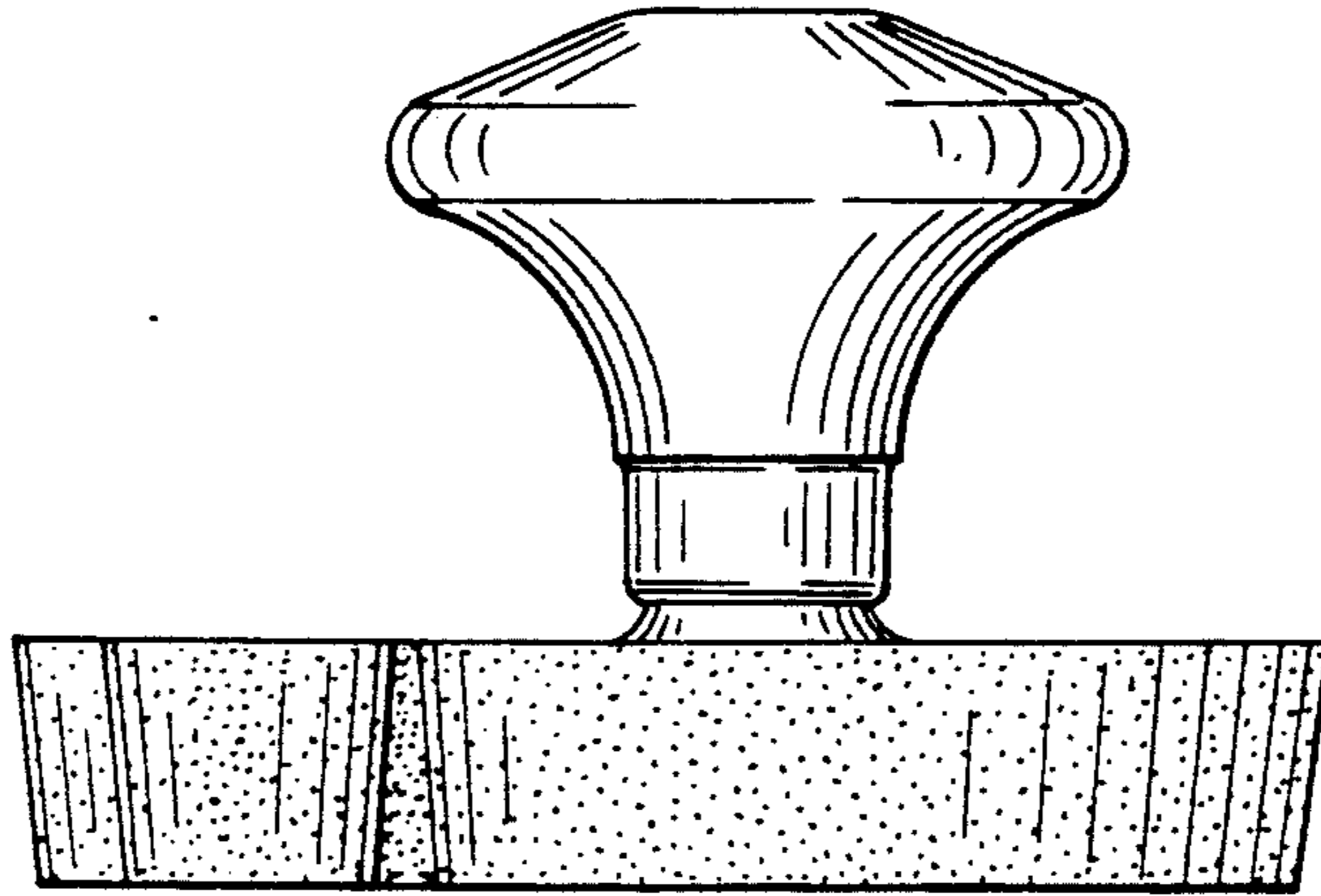


FIG. 4

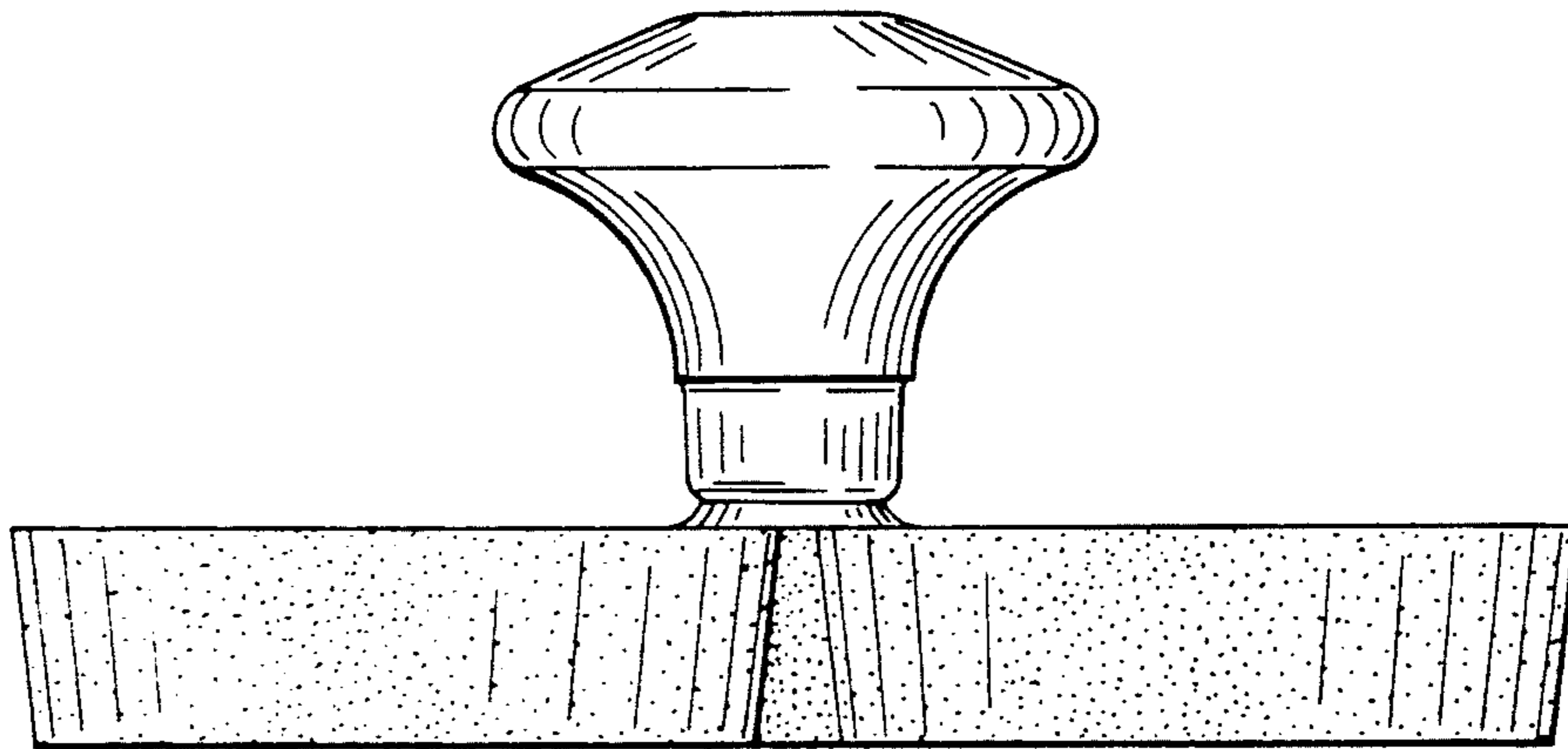


FIG. 5

