



US00D349012S

United States Patent [19] Holcomb

[11] Patent Number: Des. 349,012

[45] Date of Patent: ** Jul. 26, 1994

[54] **GARLIC PEELER**

[75] Inventor: David A. Holcomb, Seattle, Wash.

[73] Assignee: Chef'N Corporation, Seattle, Wash.

[**] Term: 14 Years

[21] Appl. No.: 4,466

[22] Filed: Feb. 5, 1993

5,101,720 4/1992 Bianchi D7/666 X

FOREIGN PATENT DOCUMENTS

705089 3/1965 Canada 30/6

OTHER PUBLICATIONS

Zyliss Garlic Press, photos.

Primary Examiner—Terry A. Wallace

Attorney, Agent, or Firm—Seed & Berry

[57] **CLAIM**

The ornamental design for a garlic peeler, as shown and described.

DESCRIPTION

FIG. 1 is a right side elevational-view of a garlic peeler showing my new design. The left side elevational-view thereof is a mirror image of FIG. 1;

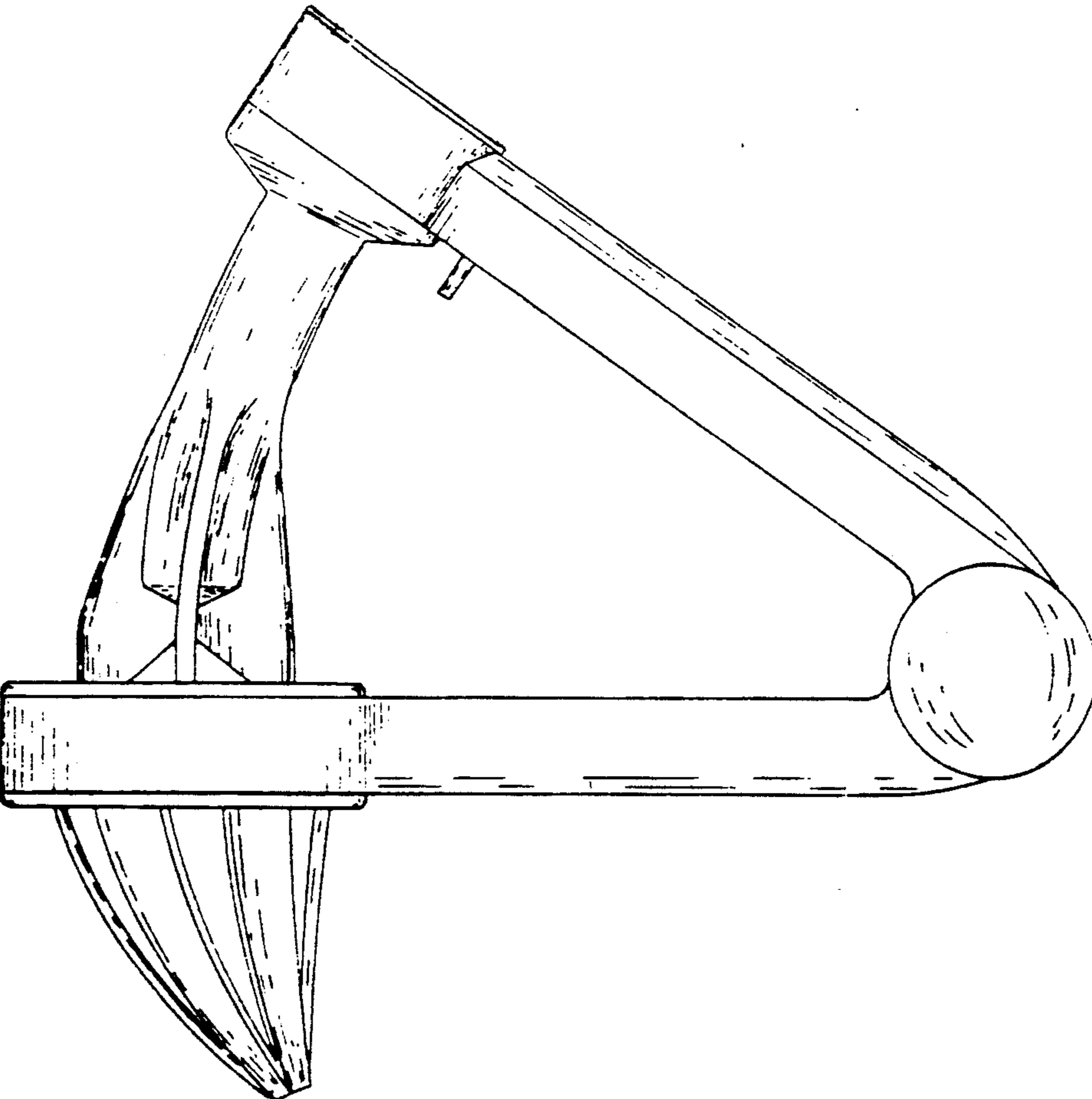
FIG. 2 is a right side elevational-view of the garlic peeler with a plunger in an alternative position. The left side elevational-view thereof is a mirror image of FIG. 2.

FIG. 3 is a top plan view thereof;

FIG. 4 is a bottom plan view thereof;

FIG. 5 is a front elevational-view thereof; and,

FIG. 6 is a rear elevational-view thereof.



Related U.S. Application Data

[63] Continuation-in-part of Ser. No. 873,459, Apr. 24, 1992, abandoned.

[52] U.S. Cl. D7/666

[58] Field of Search D7/666; 30/123.5, 123; 99/406, 495; 100/234, 243, 112, 125

[56] **References Cited**

U.S. PATENT DOCUMENTS

D. 293,757	1/1988	Pedrini	D7/666
694,617	3/1902	Coomber	100/234 X
2,724,326	11/1955	Long	100/234 X
3,469,525	9/1969	Coons	100/234 X
4,531,457	7/1985	Sivaslian	100/234 X
4,554,737	11/1985	Bartels	30/120.3

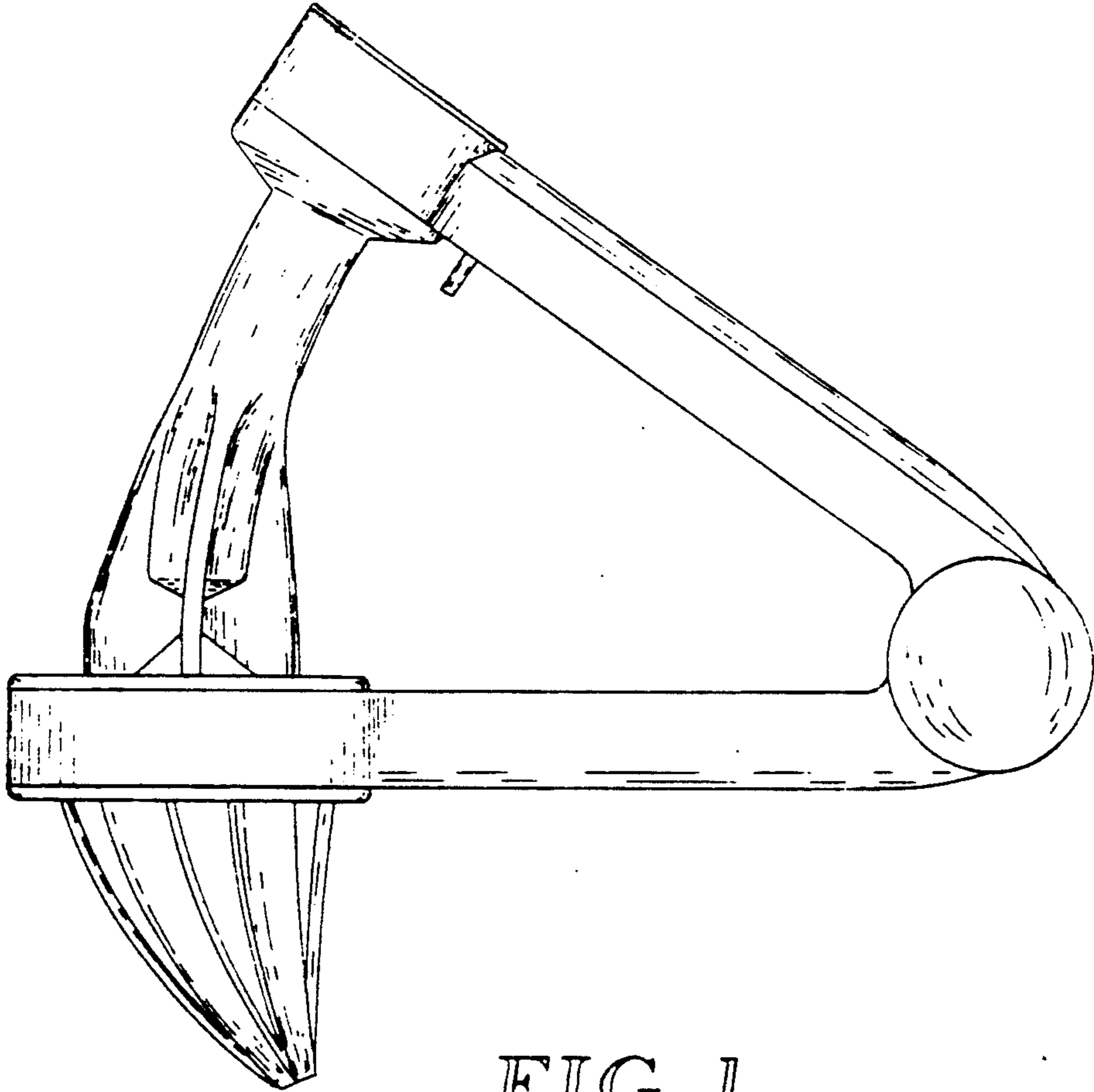


FIG. 1

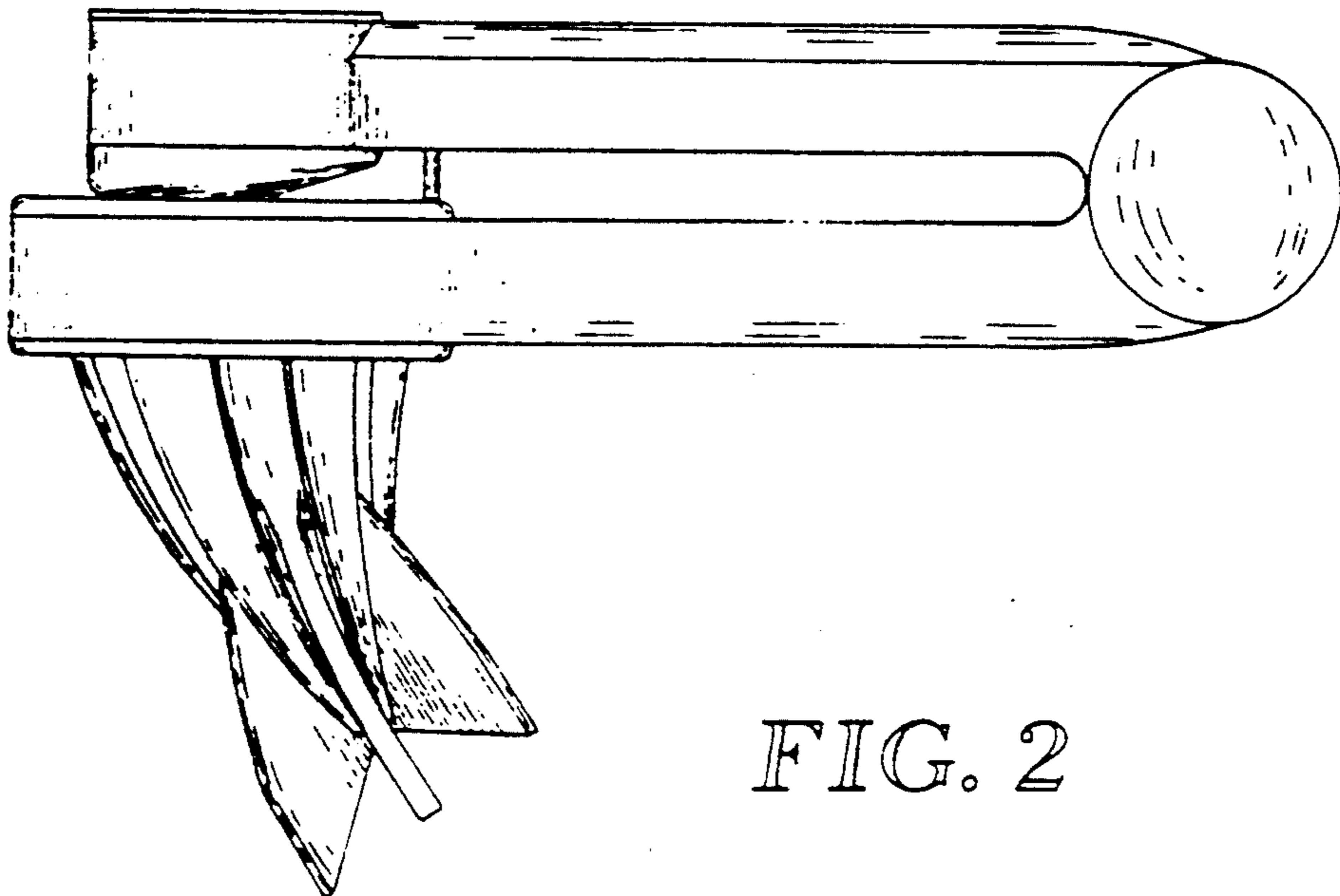


FIG. 2

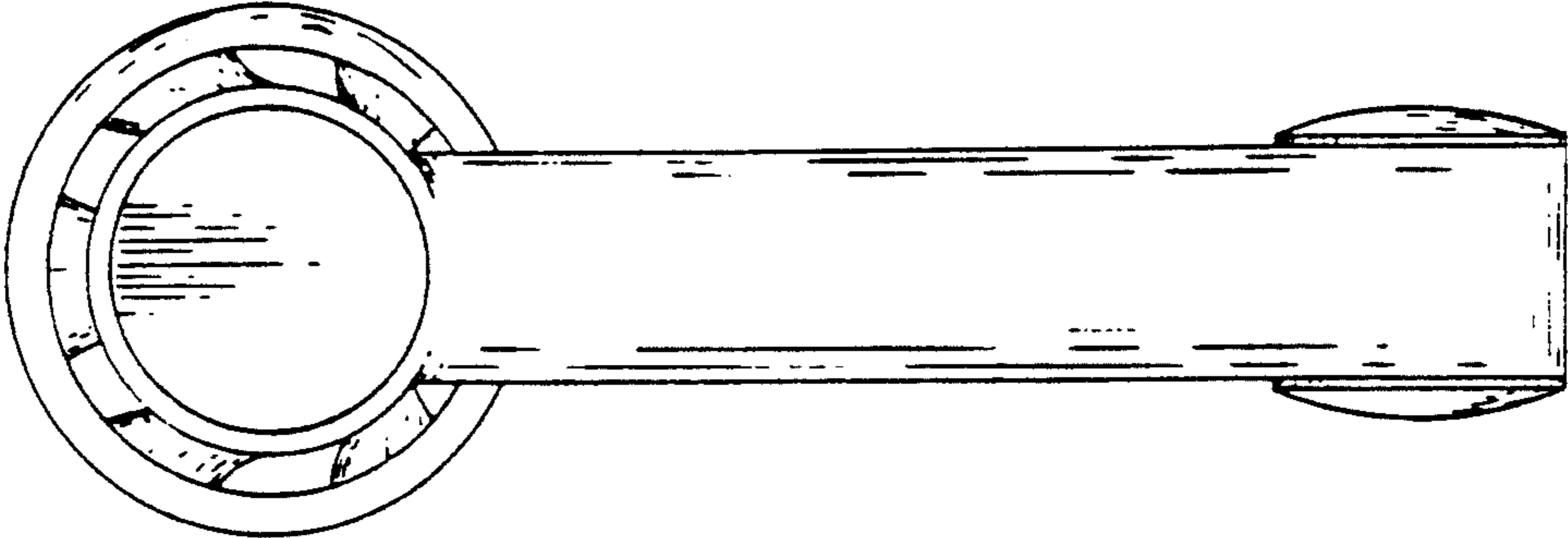


FIG. 3

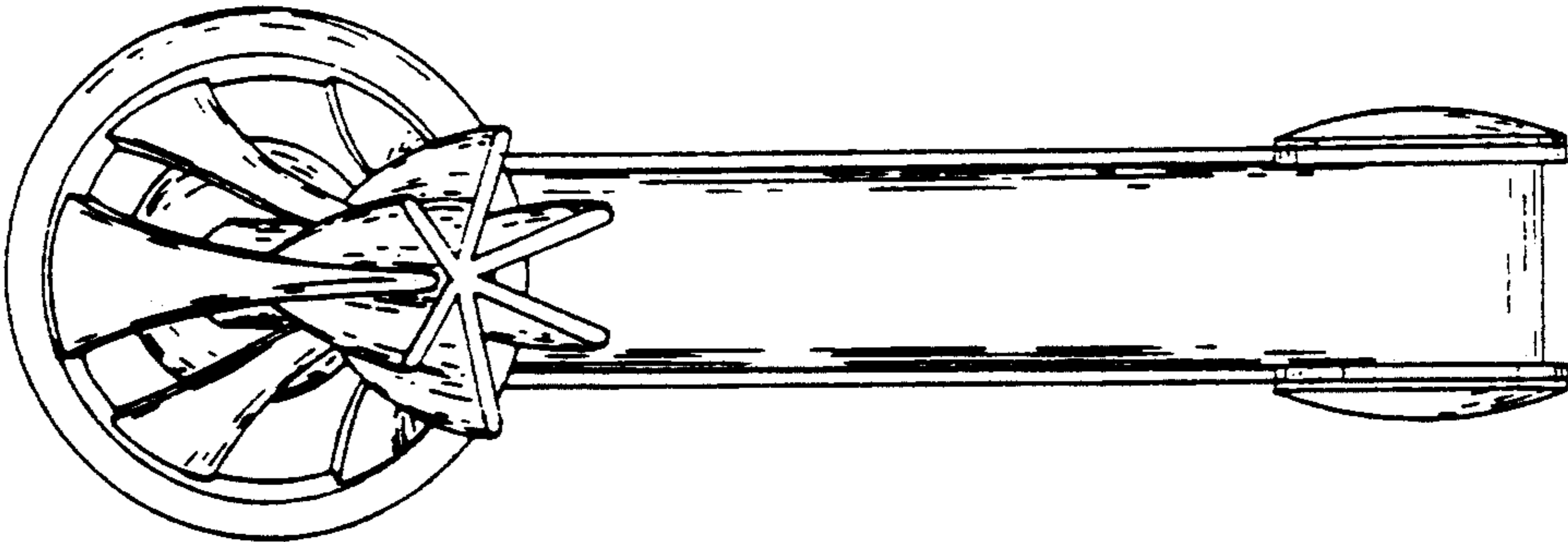


FIG. 4

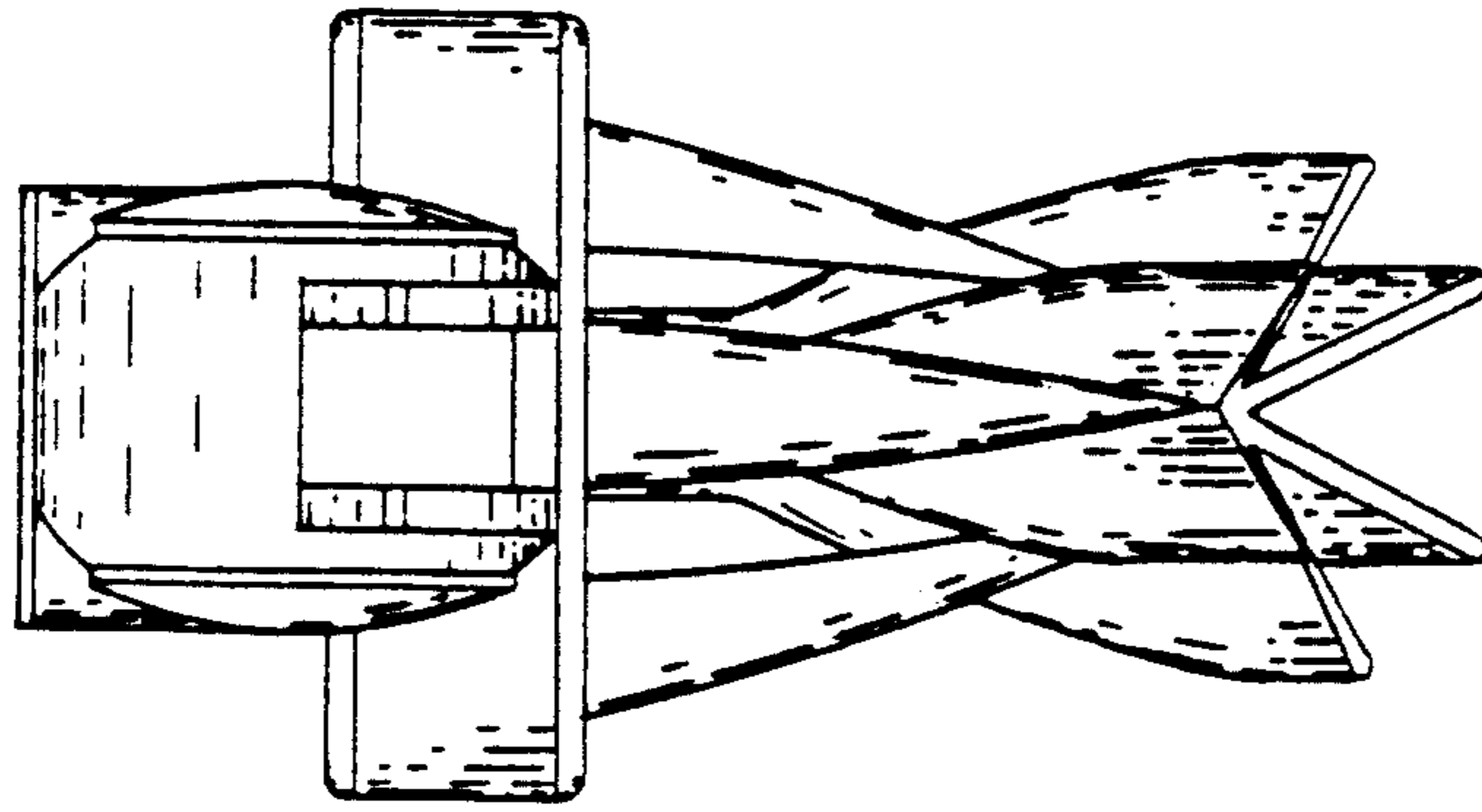


FIG. 6

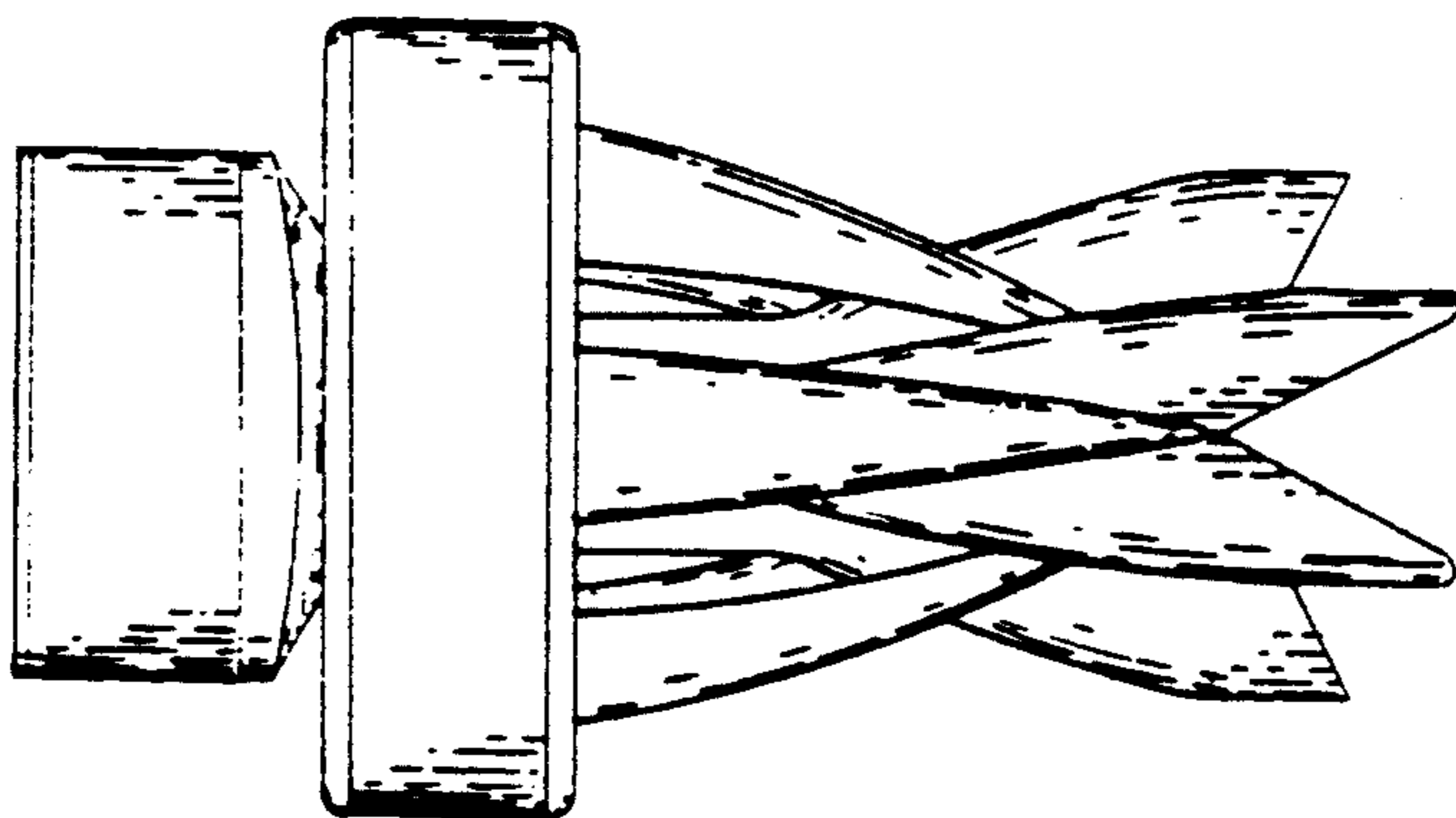


FIG. 5