



US00D349009S

United States Patent [19]

[11] Patent Number: **Des. 349,009**

Minor

[45] Date of Patent: **** Jul. 26, 1994**

[54] **SPORTS COOLER**

[57] **CLAIM**

[76] Inventor: **Craig S. Minor**, 77 Maitland Place,
Suite 723, Toronto, Ontario, Canada,
M4Y 2V6

The ornamental design for a sports cooler, as shown
and described.

[**] Term: **14 Years**

DESCRIPTION

[21] Appl. No.: **5,097**

FIG. 1 is a front elevational view of the sports cooler
showing my new design;

[22] Filed: **Feb. 23, 1993**

FIG. 2 is a rear elevational view thereof;

[52] U.S. Cl. **D7/606**

FIG. 3 is a left side elevational view thereof;

[58] Field of Search **D7/604, 606, 514, 539,
D7/544; D3/30.1; D9/307; 62/457.1, 457.7,
371, 530; 206/457; 215/286; 220/412**

FIG. 4 is a right side elevational view thereof;

FIG. 5 is a top plan view thereof;

FIG. 6 is a bottom plan view thereof;

[56] **References Cited**

U.S. PATENT DOCUMENTS

D. 271,173 11/1983 Keshishian **D7/604**
4,164,284 8/1979 Witt et al. **D7/606 X**
4,339,062 7/1982 Witt, Jr. **D7/619 X**

FIG. 7 is a front elevational view of a second embodi-
ment of my invention;

FIG. 8 is a rear elevational view of a second embodi-
ment thereof;

FIG. 9 is a left side elevational view of a second em-
bodiment thereof;

FIG. 10 is a right side elevational view of a second
thereof;

FIG. 11 is a top plan view of a second embodiment
thereof; and,

FIG. 12 is a bottom plan view of a second embodiment
of my invention.

Primary Examiner—Terry A. Wallace
Attorney, Agent, or Firm—Hugh E. Smith

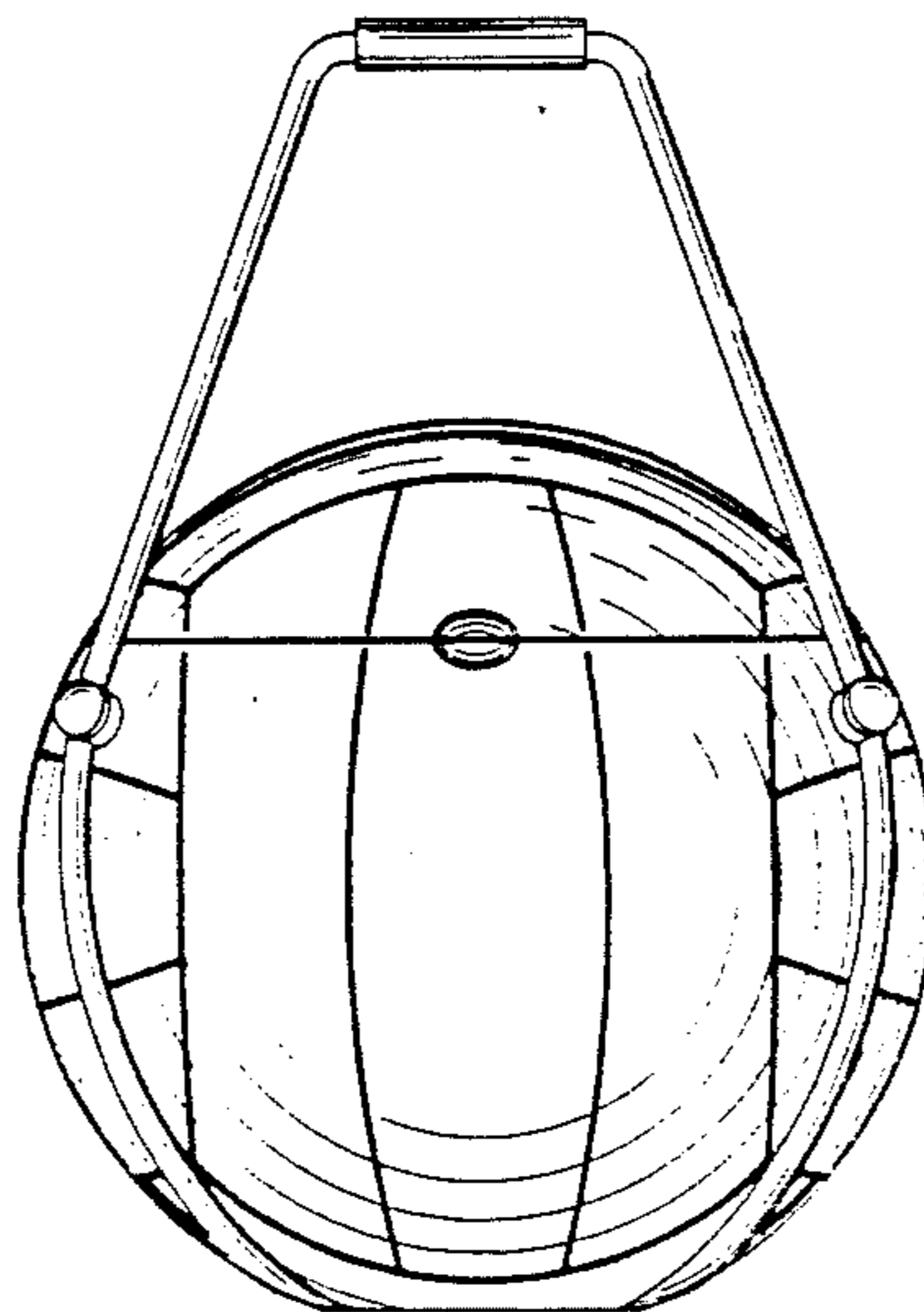
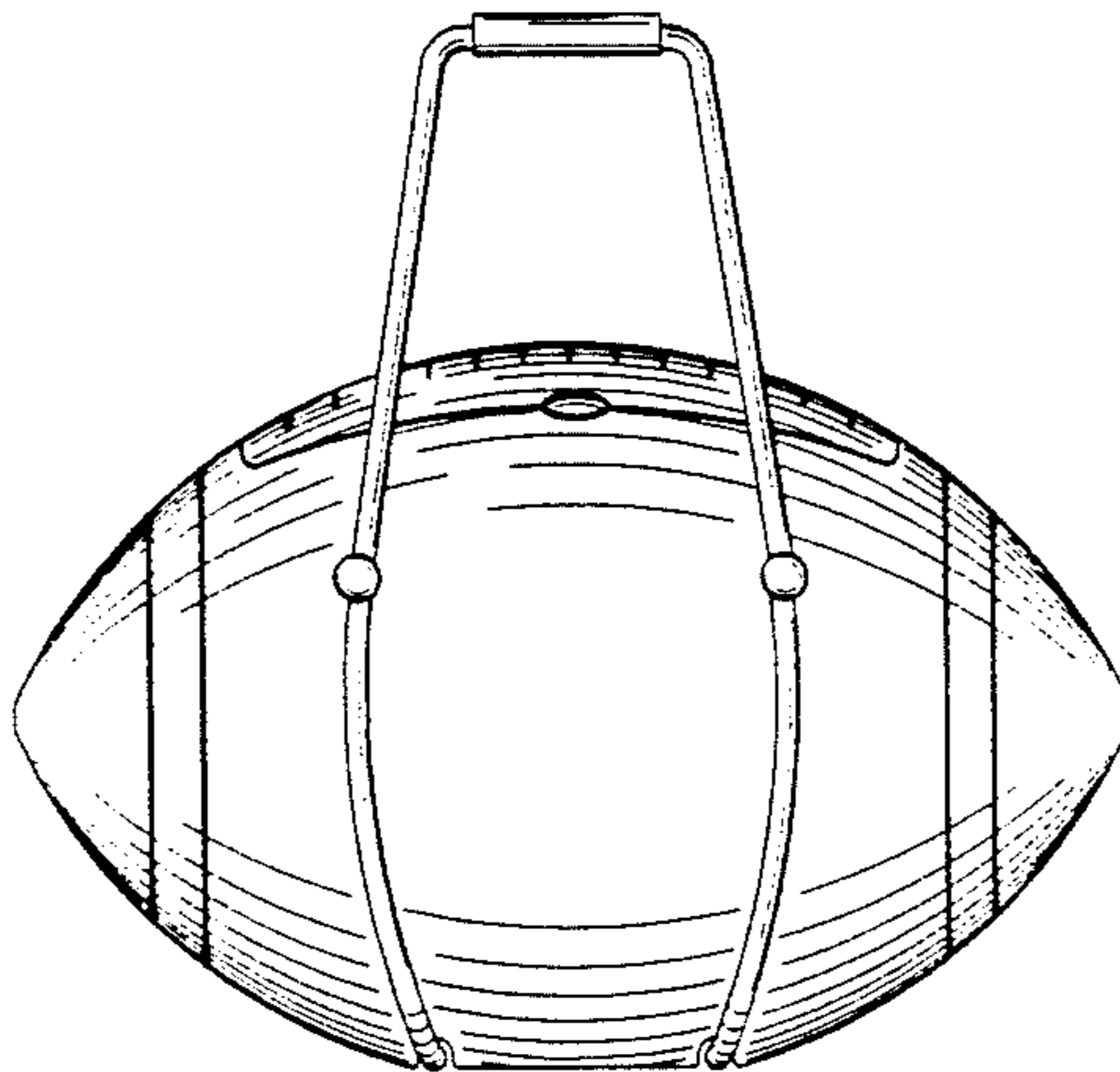


FIG. 1

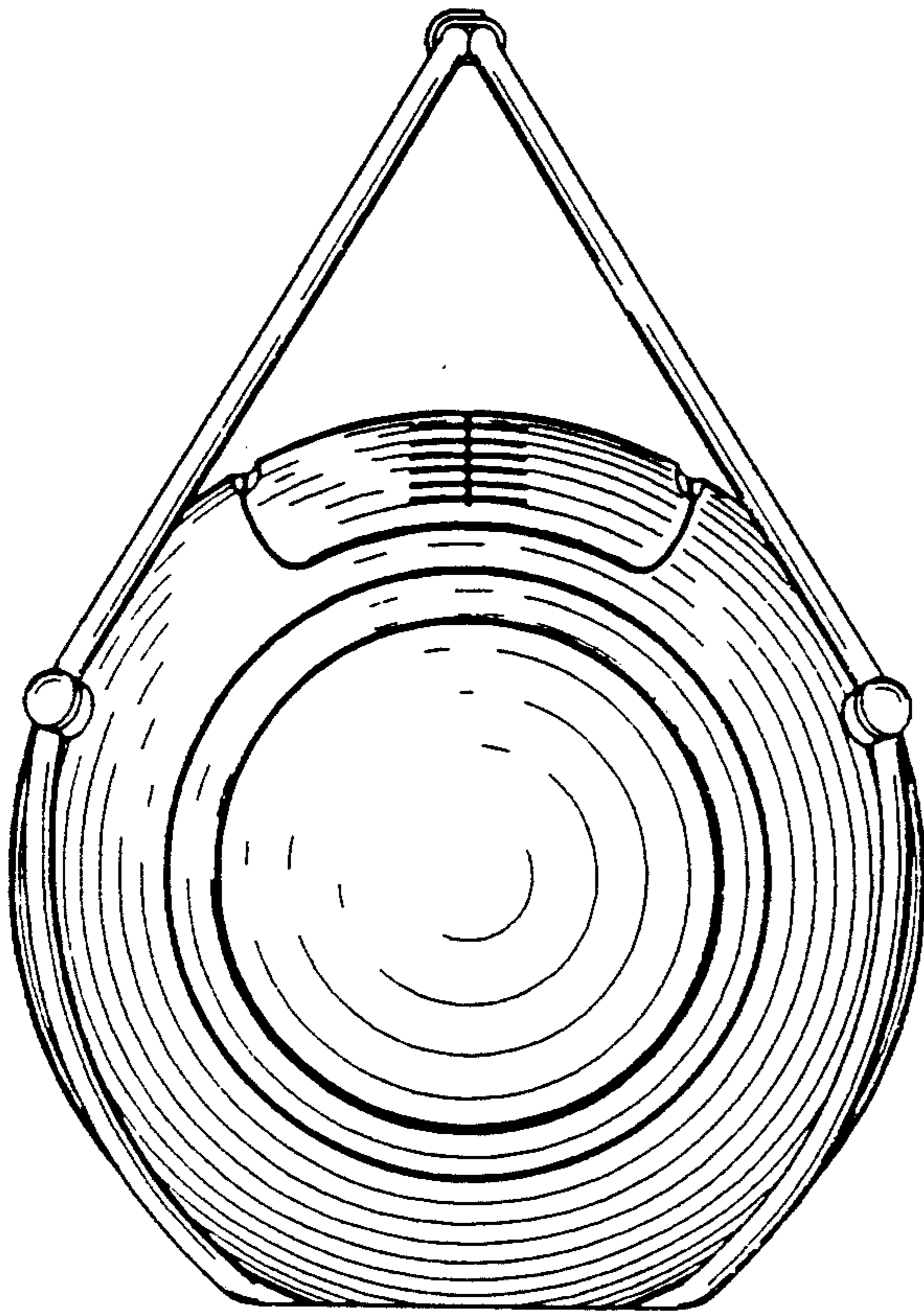


FIG. 2

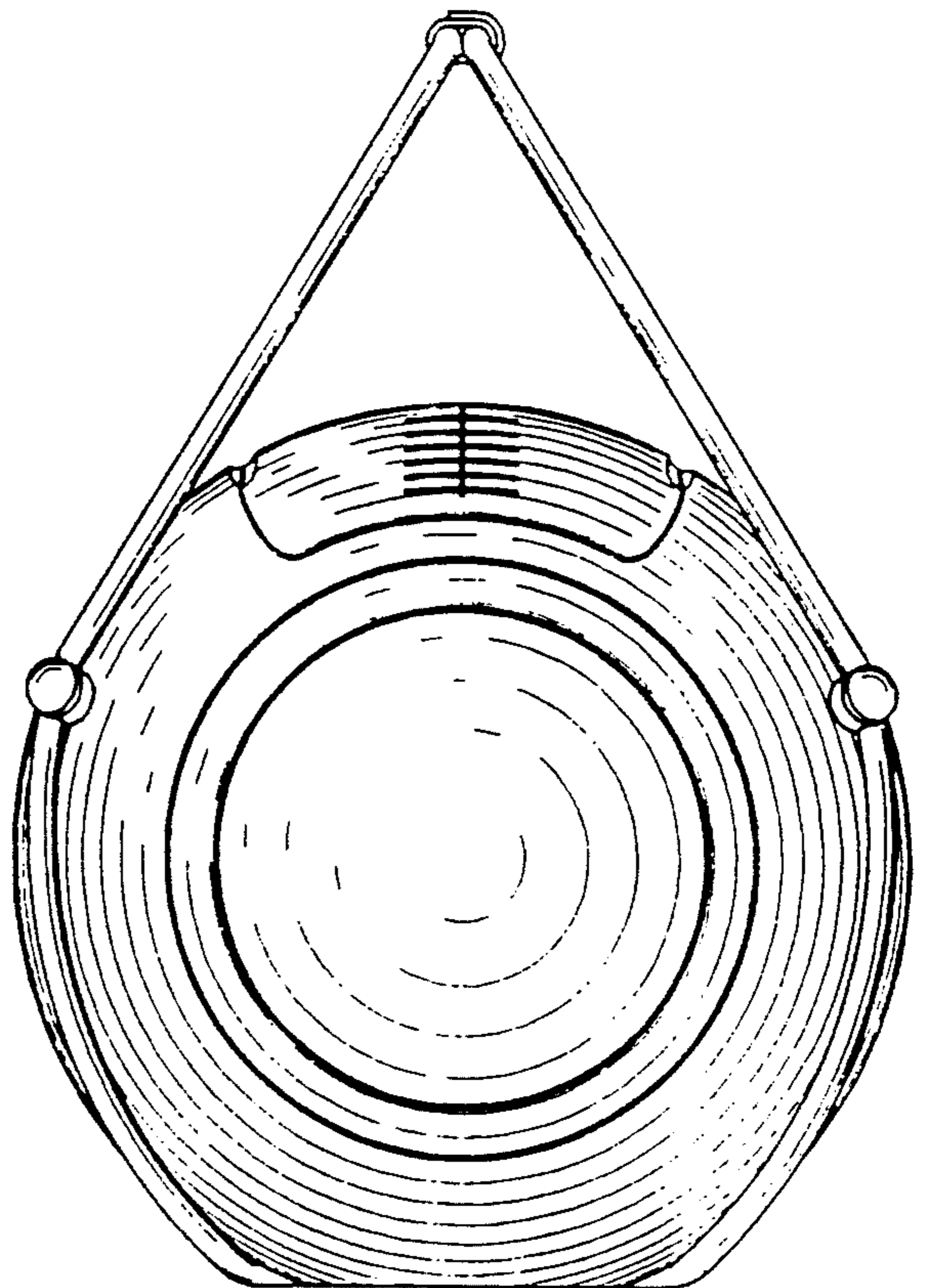


FIG. 3

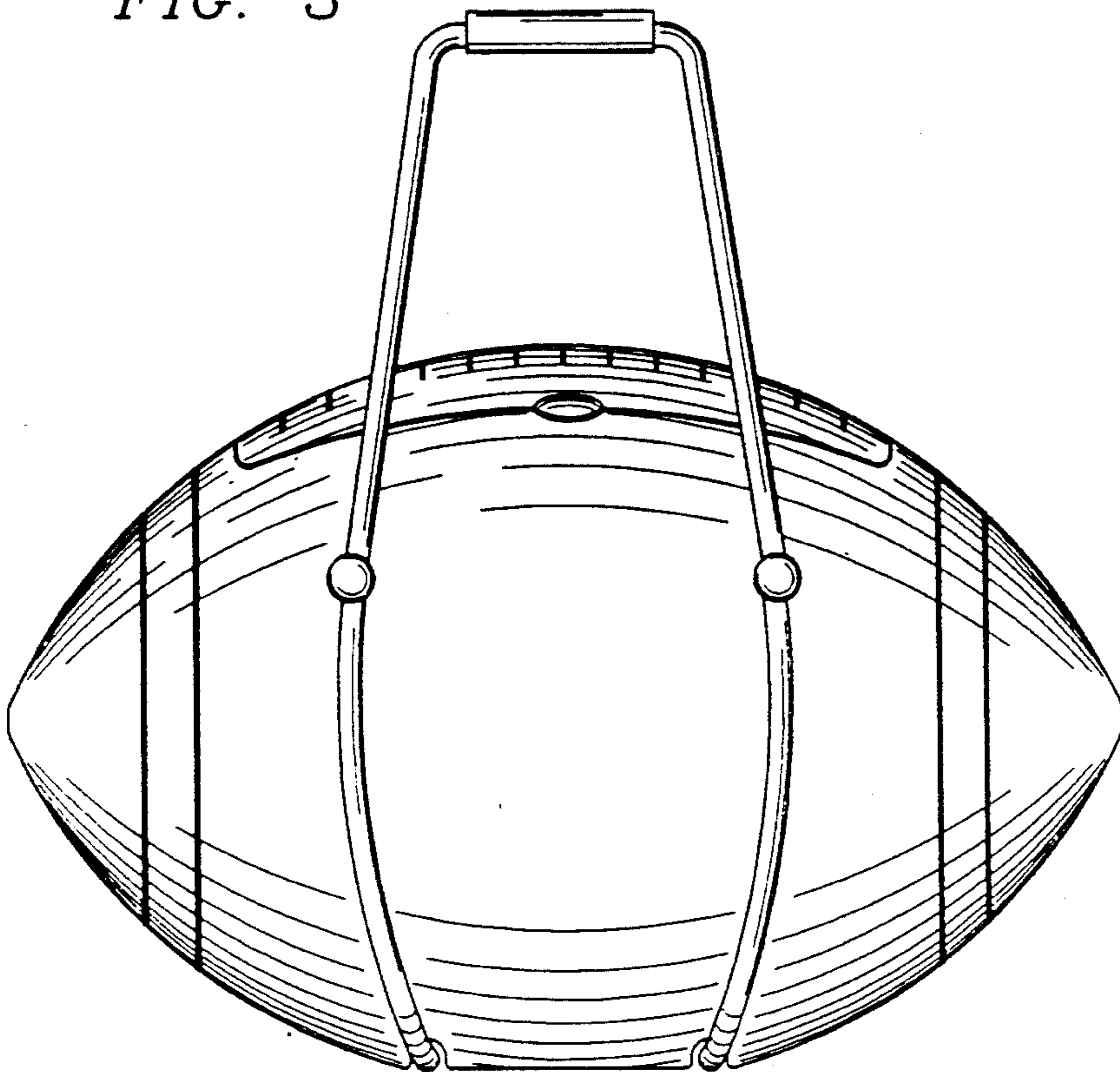


FIG. 4

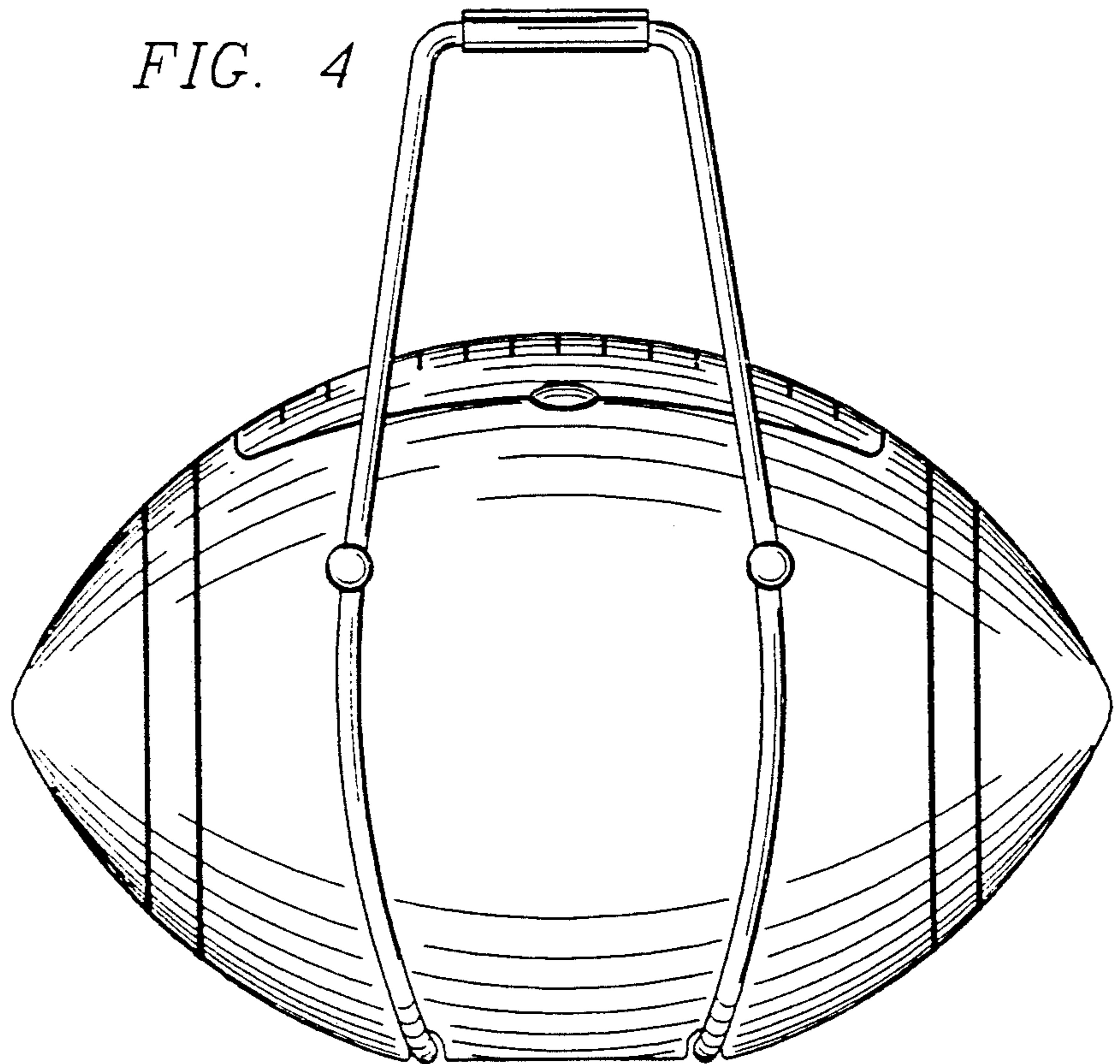


FIG. 5

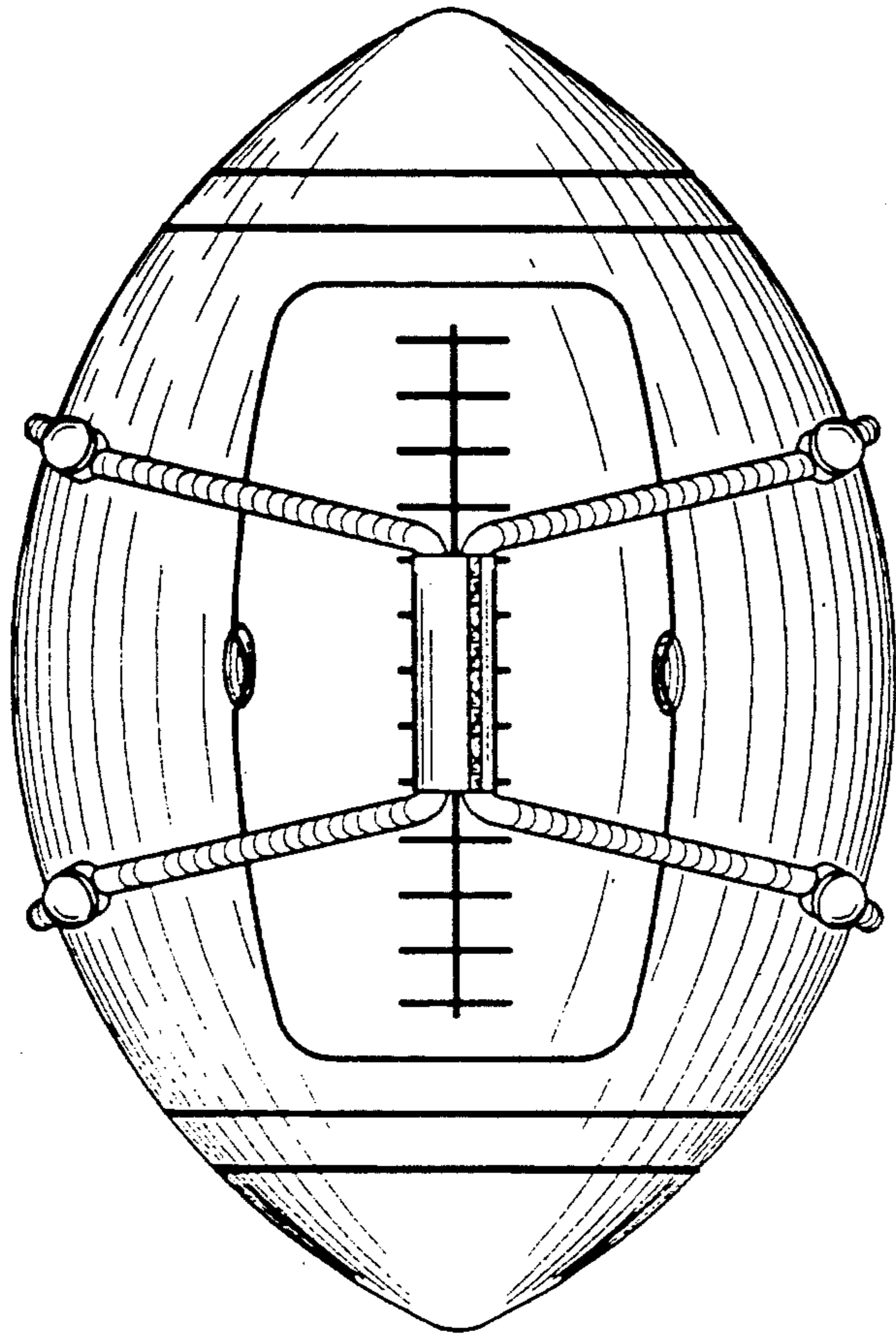


FIG. 6

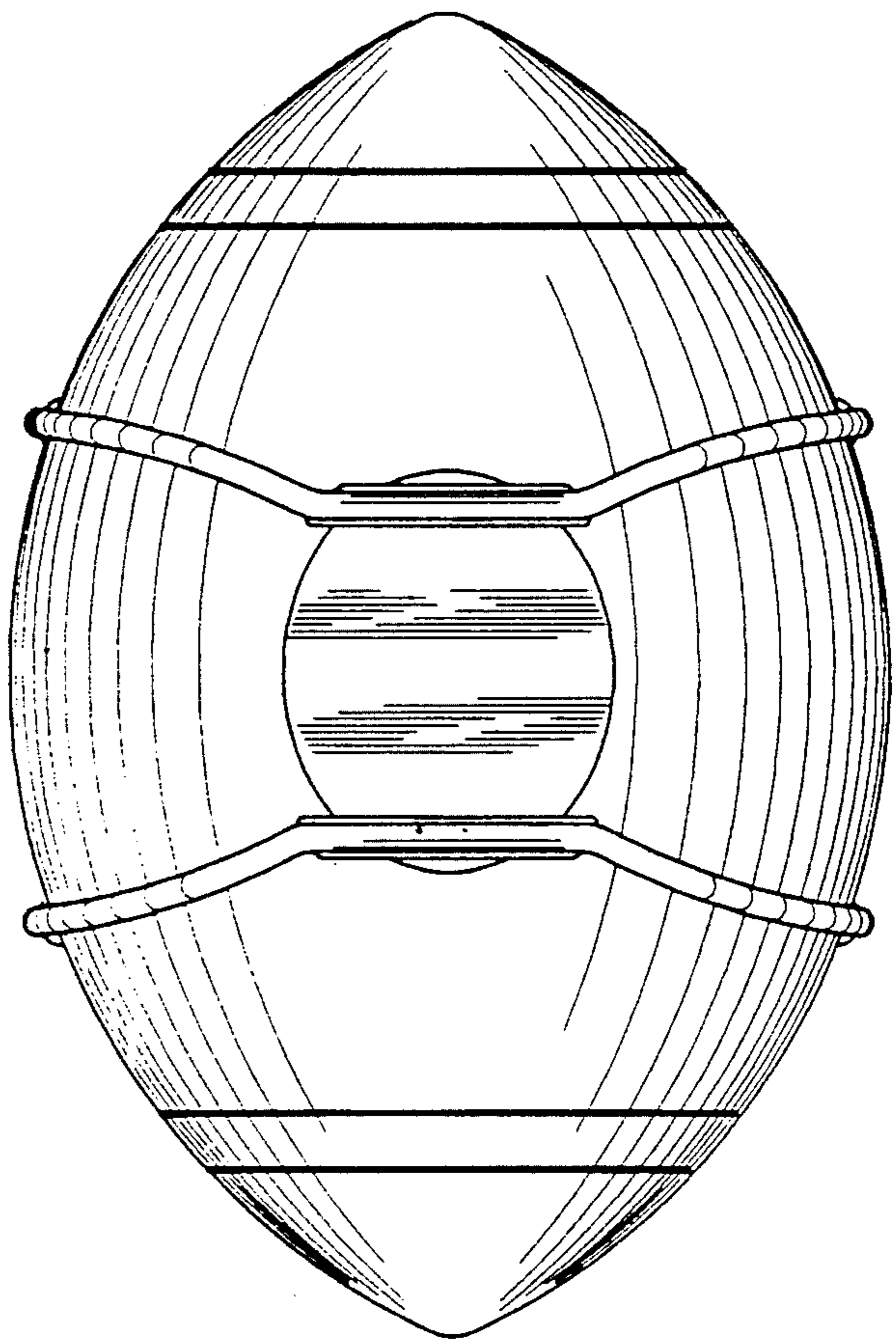


FIG. 7

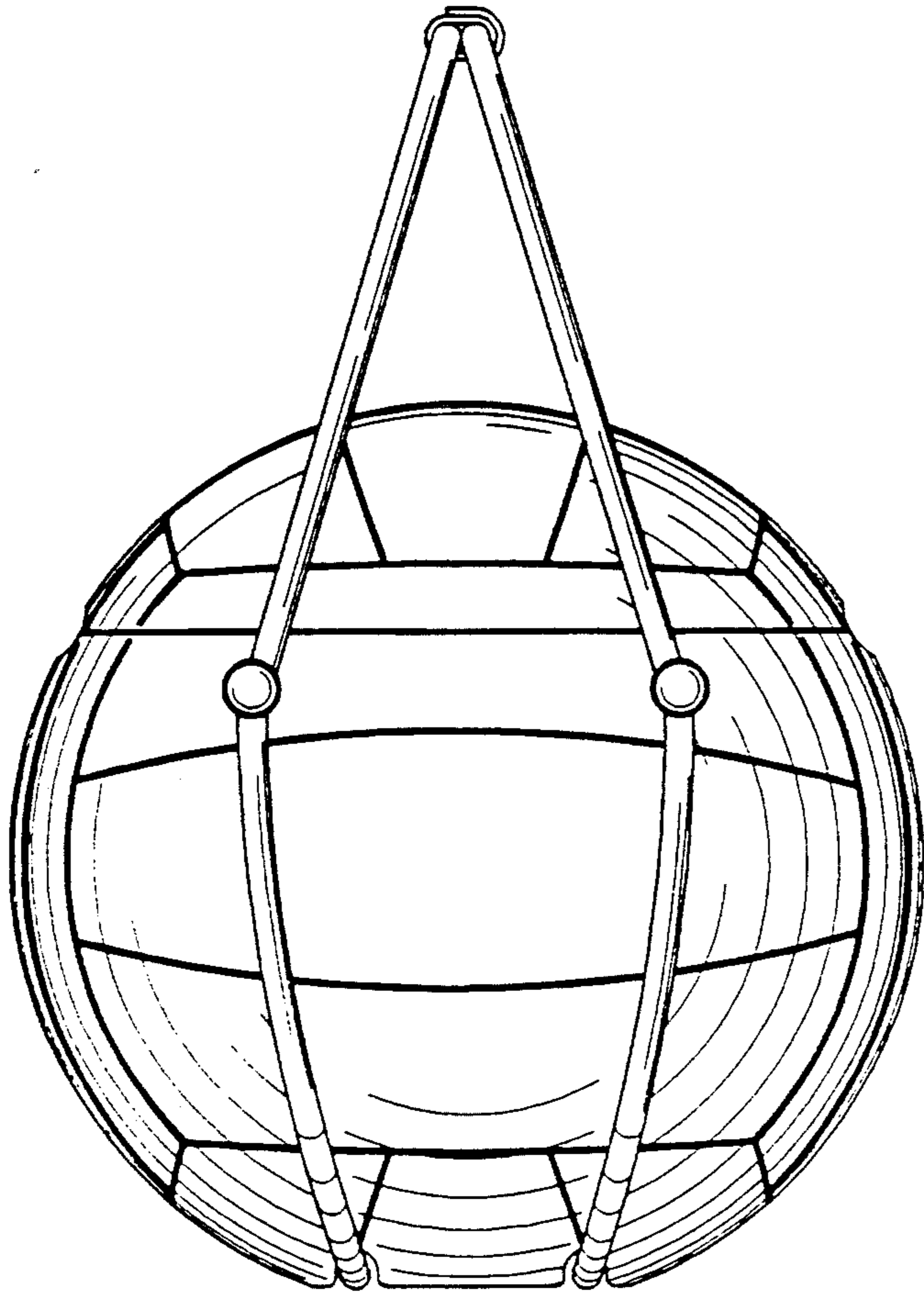


FIG. 8

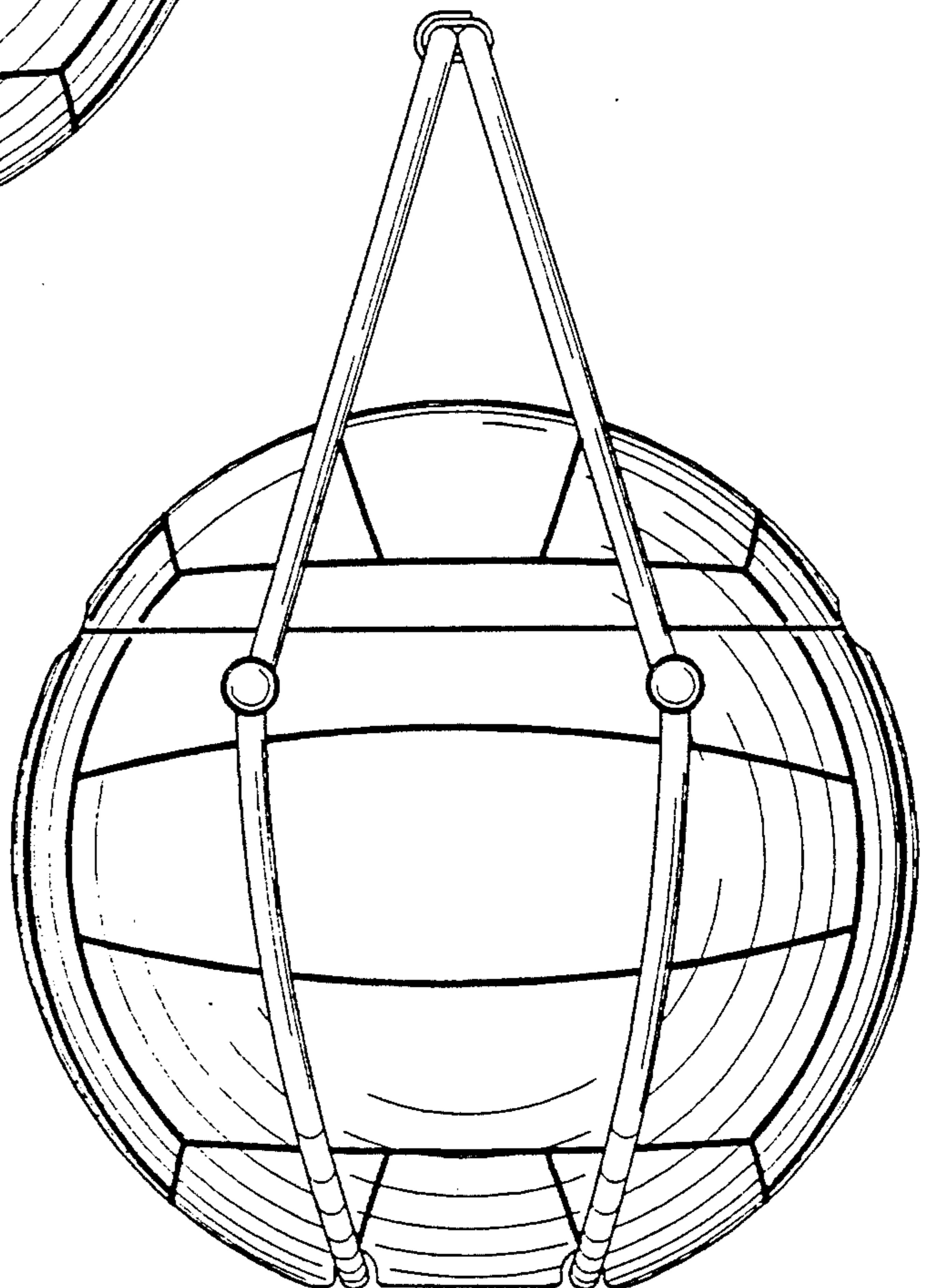


FIG. 9

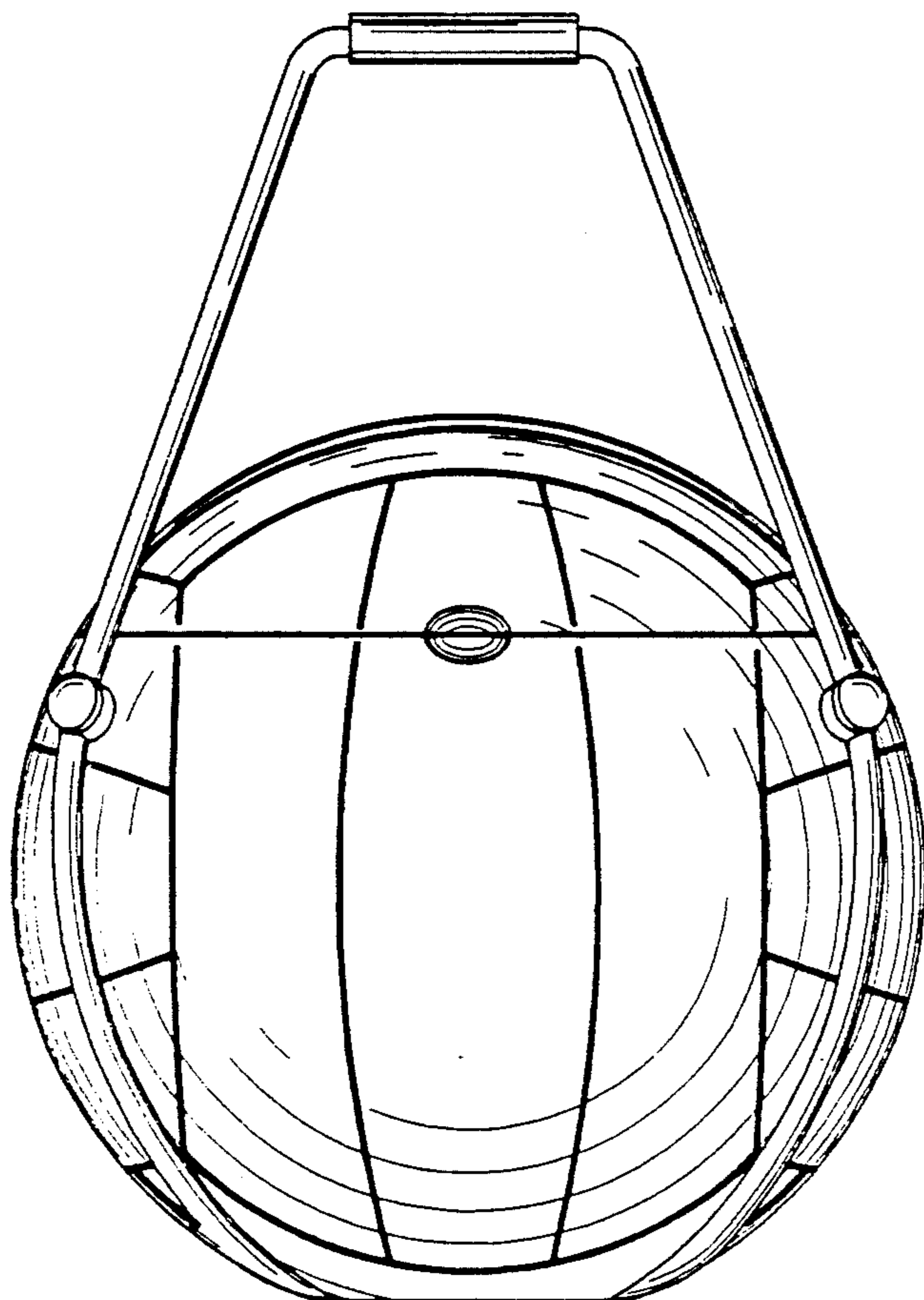


FIG. 10

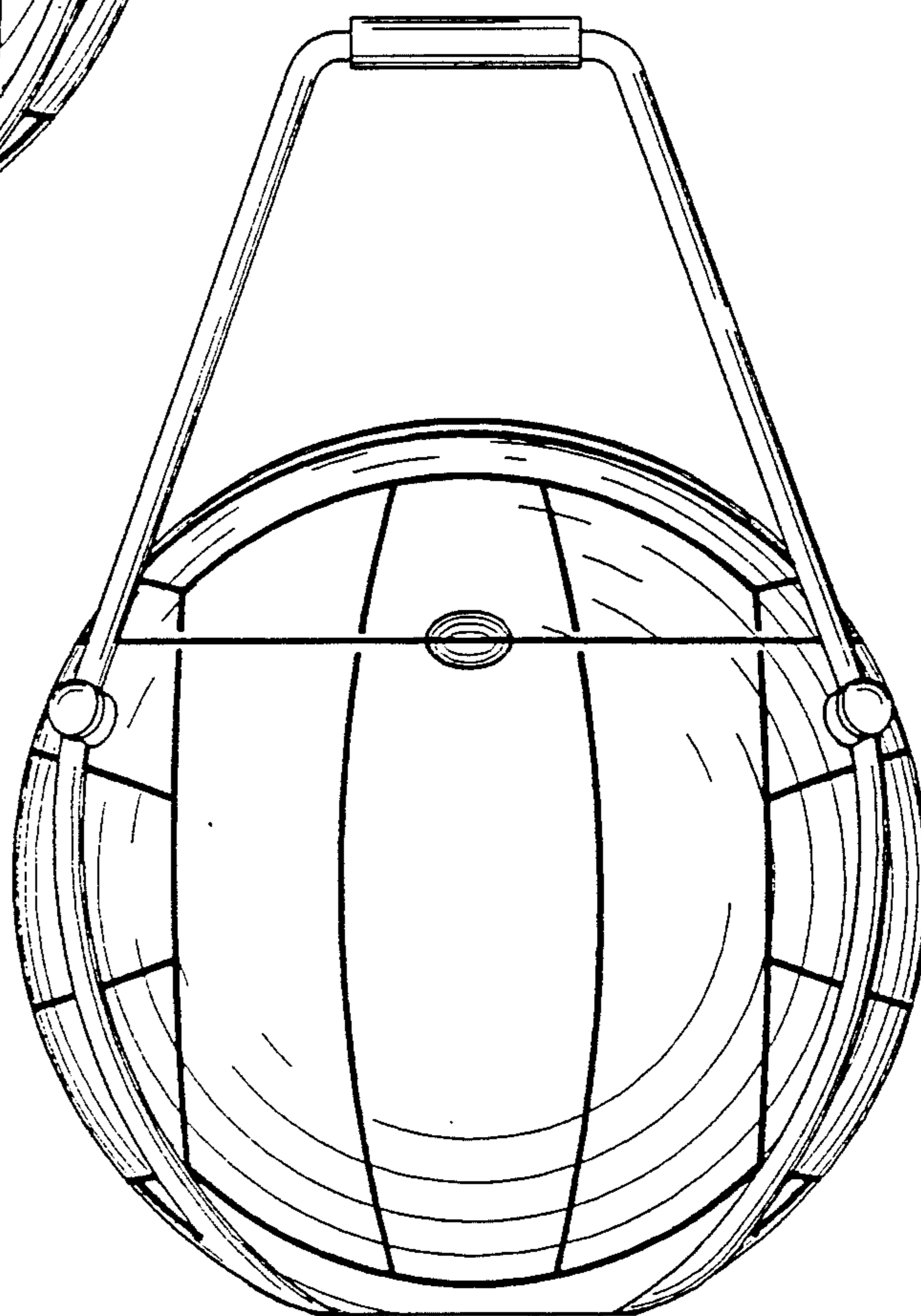


FIG. 11

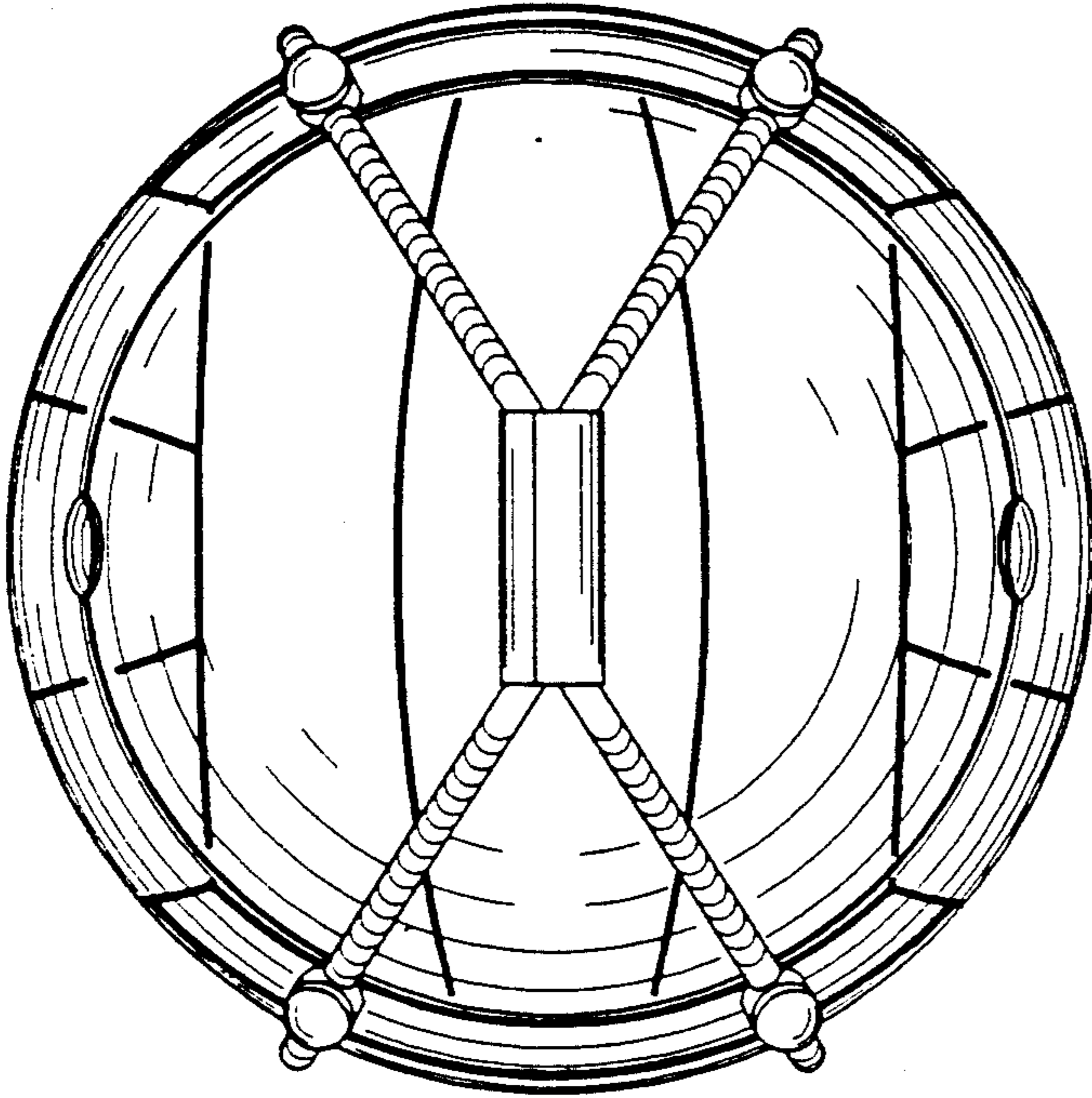


FIG. 12

