



US00D349007S

# United States Patent [19]

[11] Patent Number: **Des. 349,007**

Costello

[45] Date of Patent: **\*\* Jul. 26, 1994**

[54] ICE CHEST

*Attorney, Agent, or Firm—Cushman, Darby & Cushman*

[75] Inventor: **James J. J. Costello, Houston, Tex.**

[57] **CLAIM**

[73] Assignee: **Igloo Products Corp., Houston, Tex.**

The ornamental design for an ice chest, as shown and described.

[\*\*] Term: **14 Years**

[21] Appl. No.: **4,442**

### DESCRIPTION

[22] Filed: **Feb. 5, 1993**

[52] U.S. Cl. .... **D7/605**

[58] Field of Search ..... **D7/605-608;**  
220/412; 62/457.1, 457.7, 371, 530

FIG. 1 is a perspective view of an ice chest showing my new design from the front, top and right end, with its handle and its removable, reversible lid closed;

FIG. 2 is a top plan view thereof;

FIG. 3 is a left end elevation view thereof;

FIG. 4 is a front elevation view thereof;

FIG. 5 is a right end elevation view thereof with its handle extended in a position of use;

FIG. 6 is a perspective view thereof in a position of use, with its reversible lid open; and,

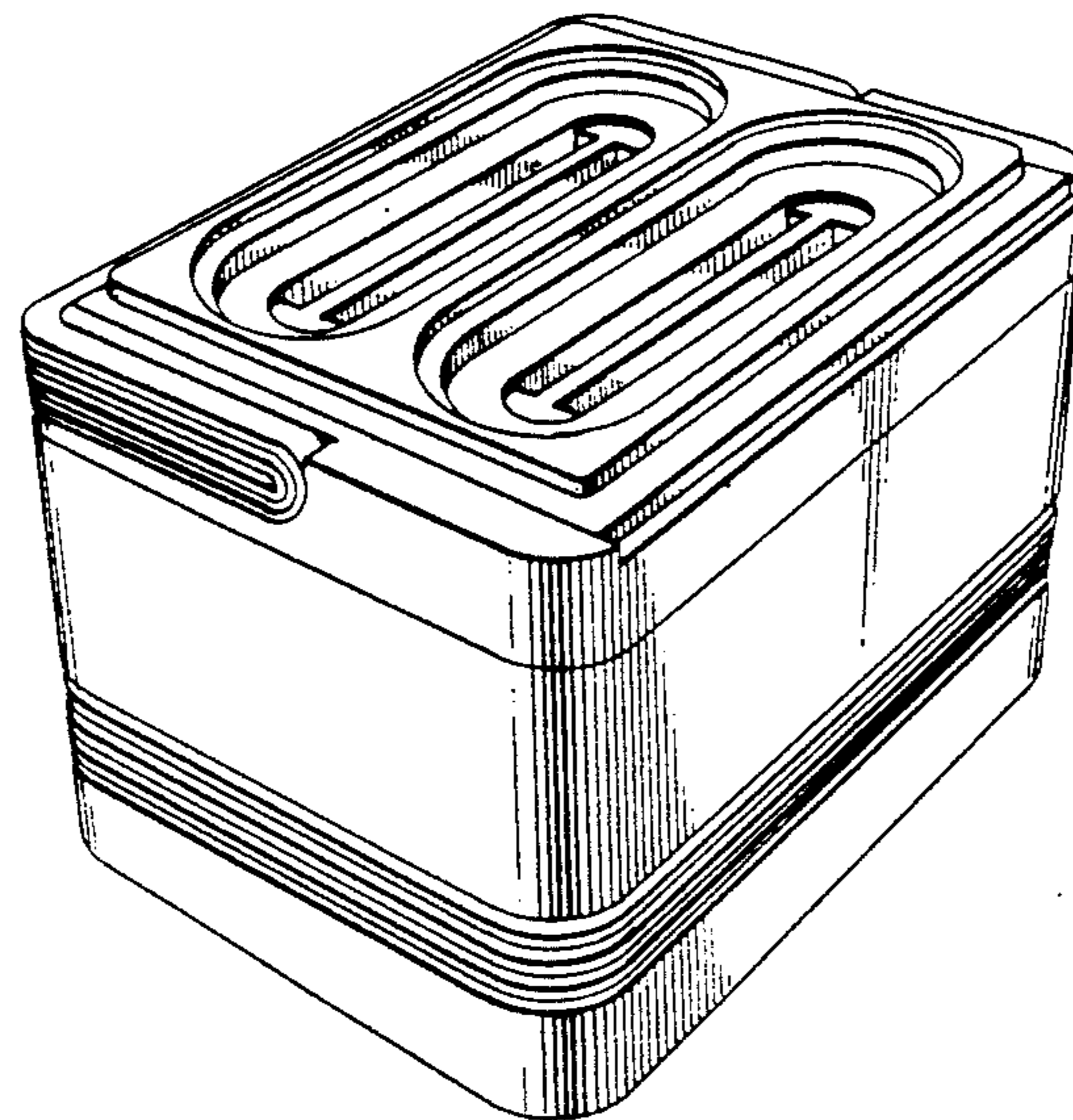
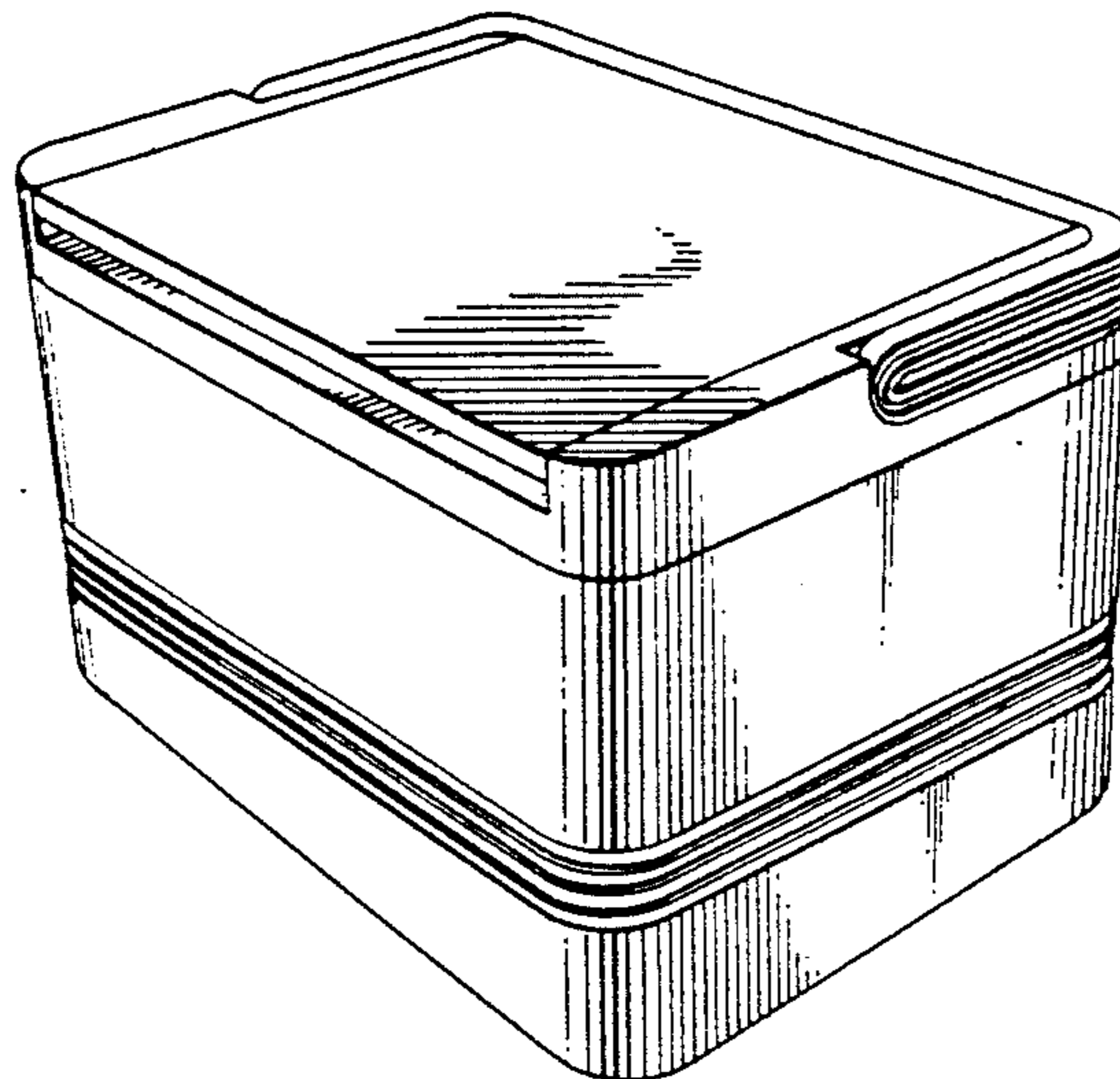
FIG. 7 is a perspective view thereof in a position of use, with its lid having been turned upside down and placed on the body of the ice chest in a closed position.

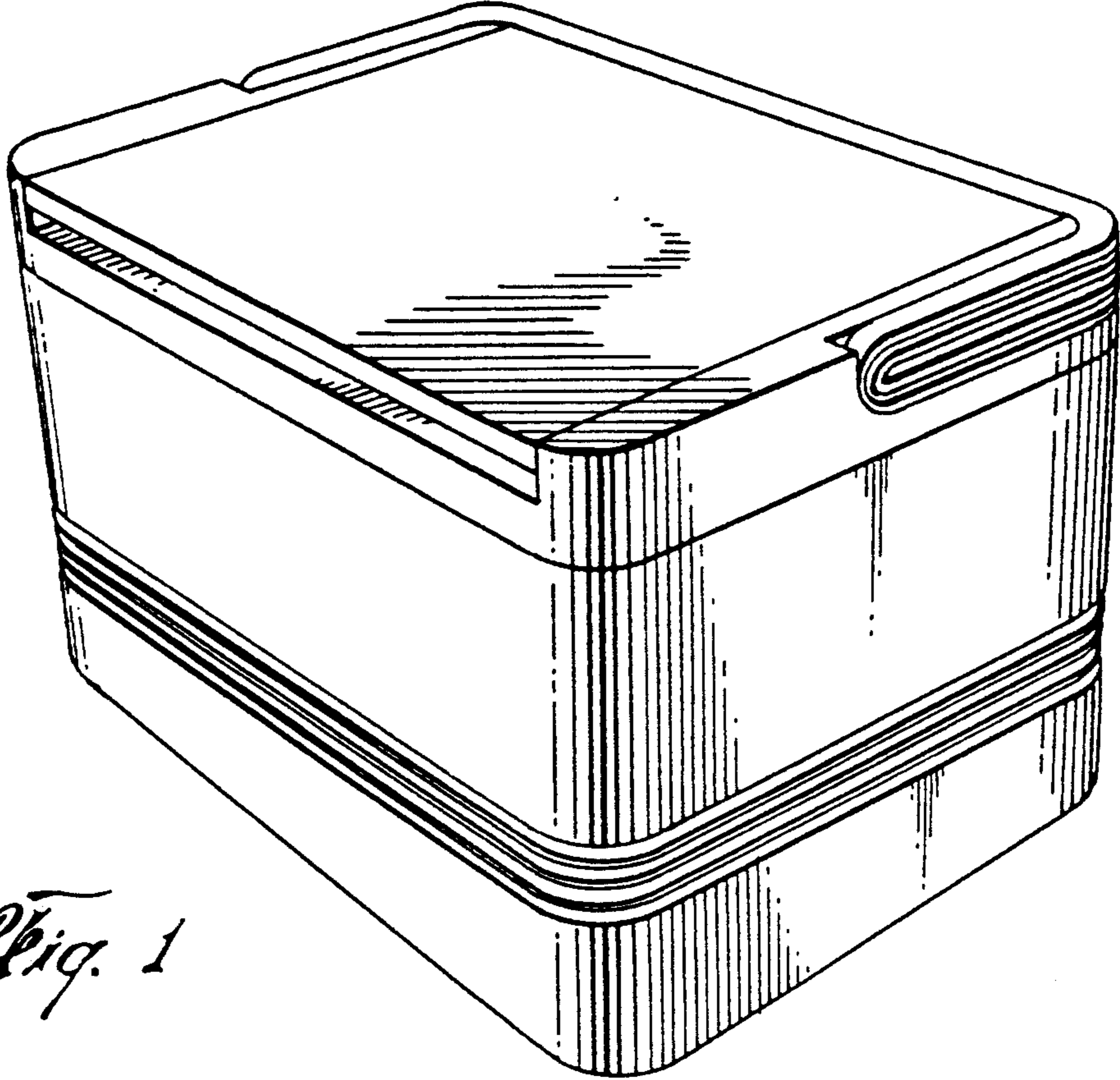
### [56] References Cited

#### U.S. PATENT DOCUMENTS

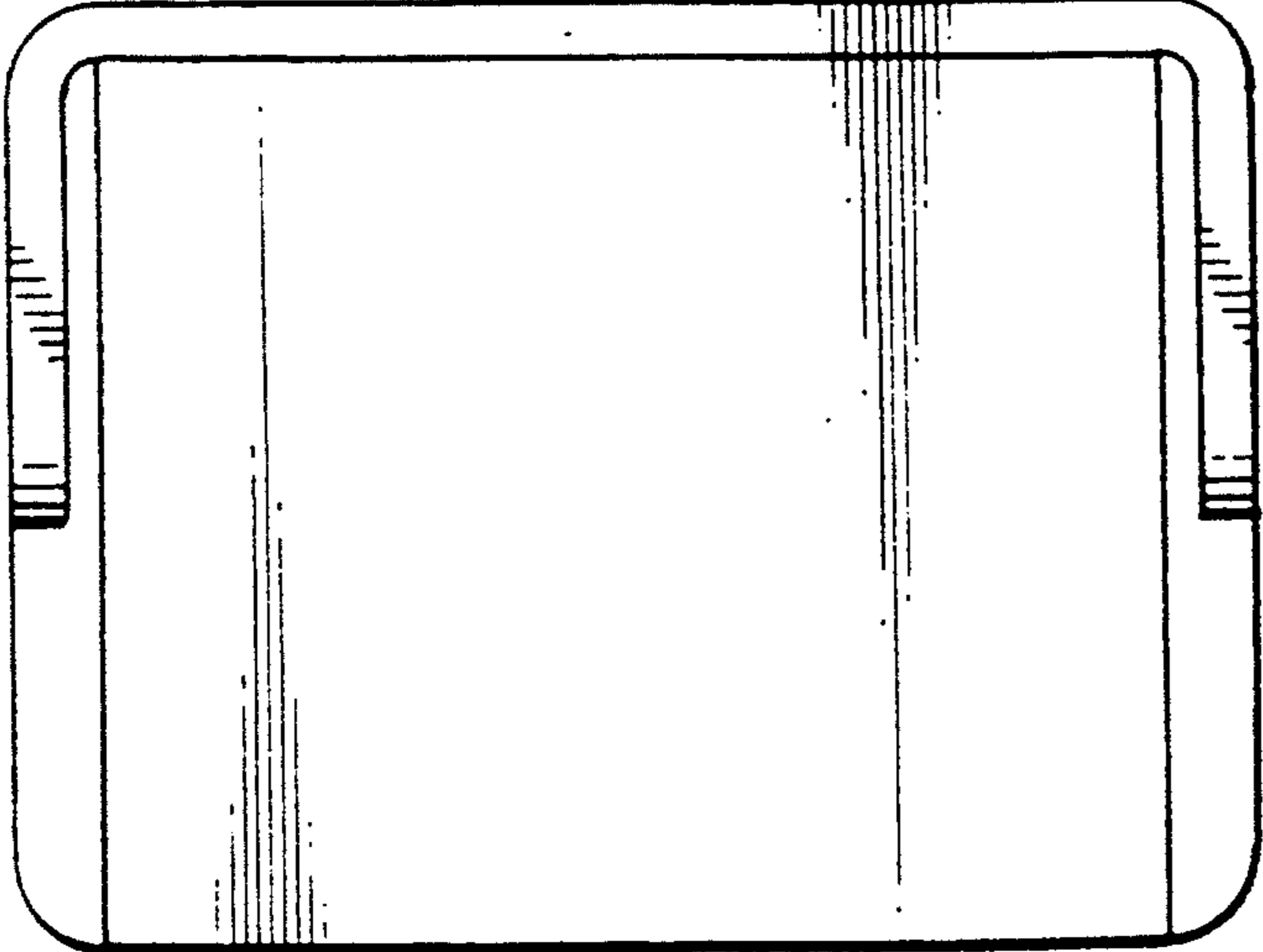
- D. 281,695 10/1985 Ryan, Jr. .... D7/605
- D. 283,480 4/1986 Bailey ..... D7/605
- D. 290,080 6/1987 Caelson ..... D7/605

*Primary Examiner—Terry A. Wallace*



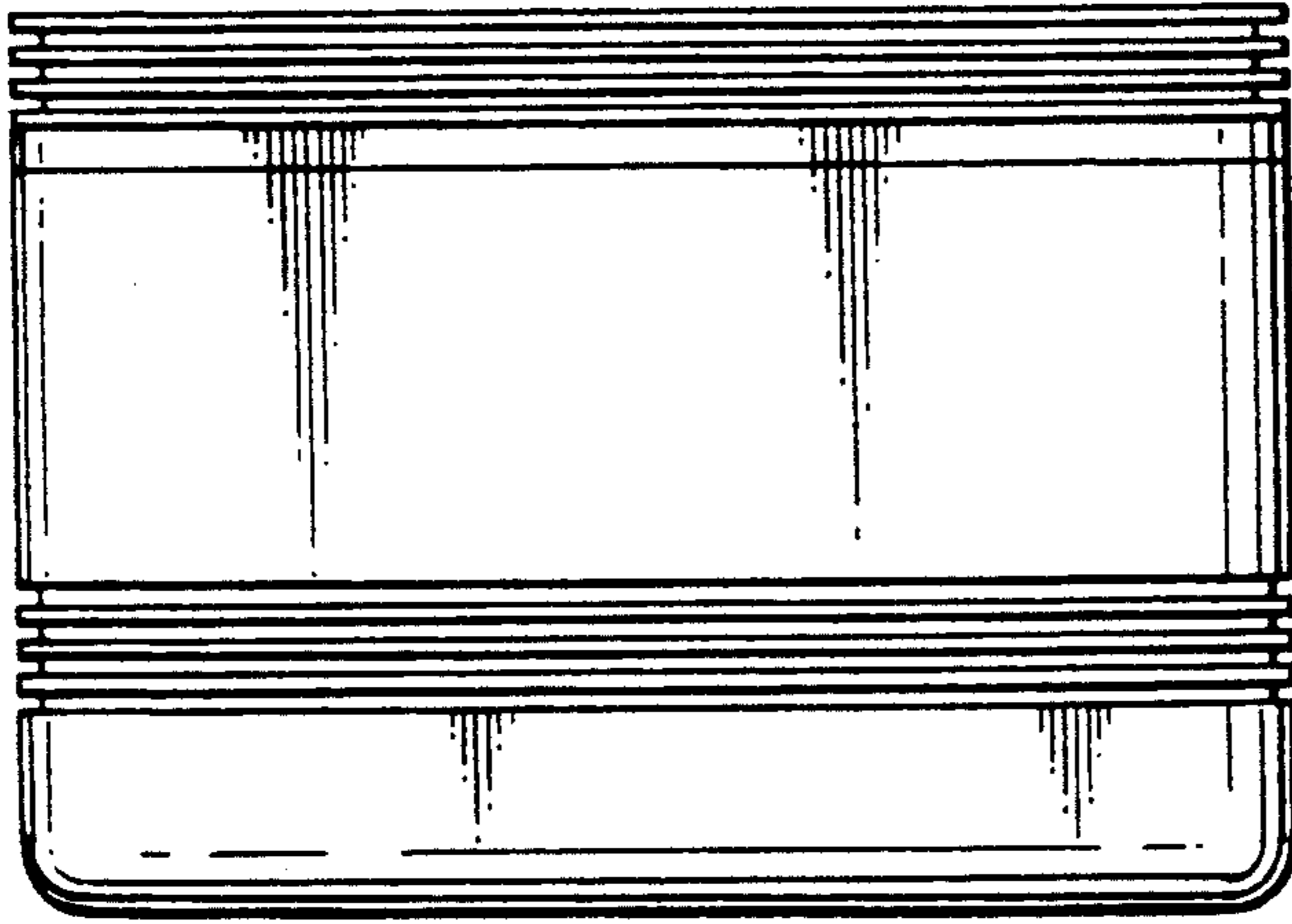
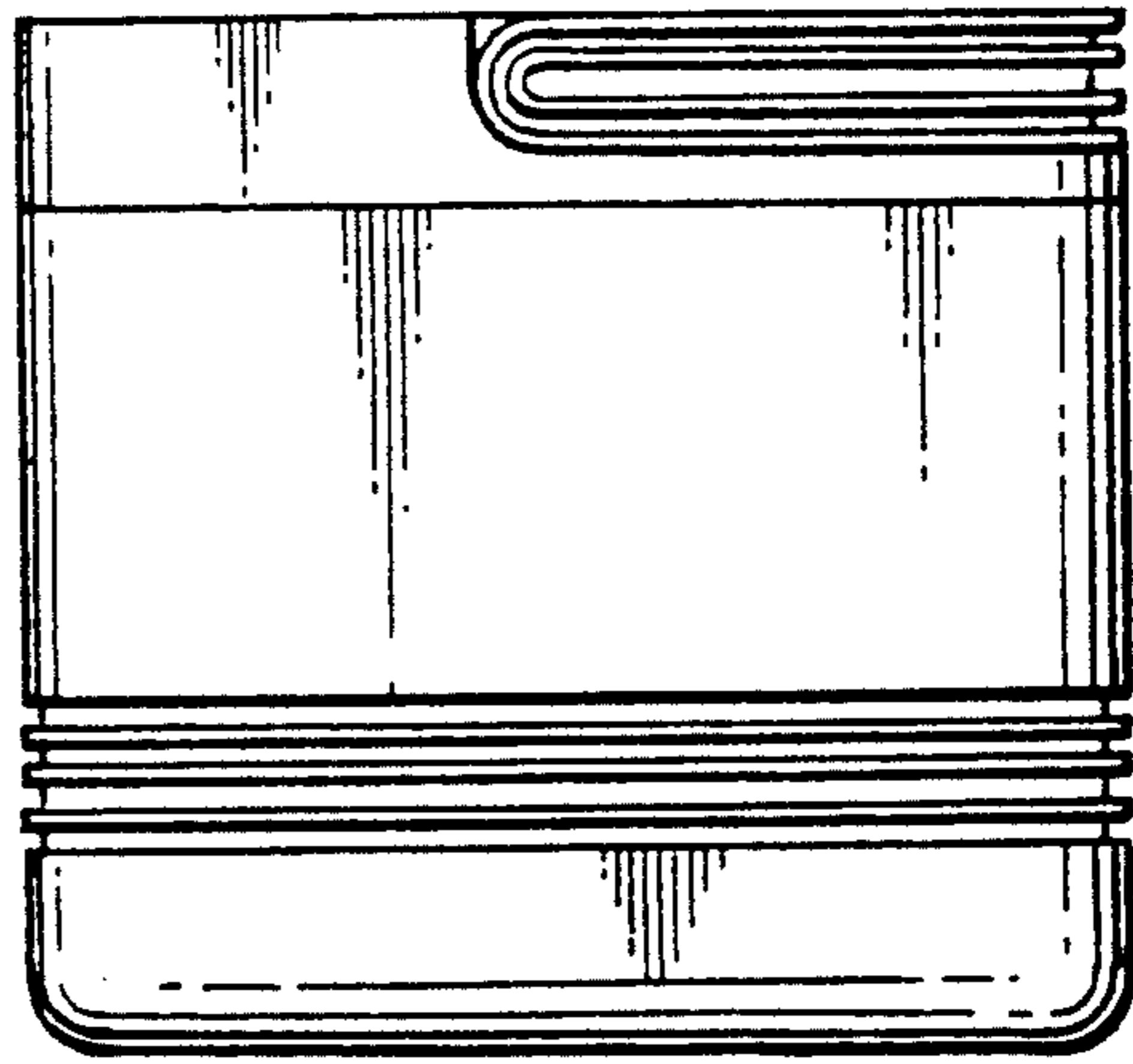


*Fig. 1*



*Fig. 2*

*Fig. 3*



*Fig. 4*

*Fig. 5*

