



US00D349005S

United States Patent [19]

Cousins et al.

[11] Patent Number: **Des. 349,005**

[45] Date of Patent: **** Jul. 26, 1994**

[54] **SERVING BOWL**

[75] Inventors: **Morison S. Cousins, Winter Park;**
Brian L. Aiken, Orlando, both of Fla.

[73] Assignee: **Dart Industries Inc., Deerfield, Ill.**

[**] Term: **14 Years**

[21] Appl. No.: **896,565**

[22] Filed: **Jun. 5, 1992**

[52] U.S. Cl. **D7/543; D7/587**

[58] Field of Search **D7/503, 534, 507, 513,**
D7/543, 544, 545, 546, 555, 553, 629, 512, 548,
584, 392.1, 538, 542, 572, 601, 602, 608, 400,
591, 500, 391, 587; D9/435, 454, 504, 424, 428,
500, 425, 529, 537; 220/355, 352, 772, 629

[56] **References Cited**

U.S. PATENT DOCUMENTS

- D. 74,476 2/1928 Bronsther D7/542
- D. 88,343 11/1932 Dowd .
- D. 93,288 9/1934 Robinson .
- D. 116,030 8/1939 Heisey .
- D. 119,964 4/1940 May .
- D. 137,961 5/1944 Kapner et al. .
- D. 164,890 10/1951 Zeisel D7/545
- D. 191,215 8/1961 Schroeder .
- D. 207,594 5/1967 Aubecq D7/542
- D. 216,146 11/1969 Bateman et al. .
- D. 228,542 10/1973 Swett D7/629
- D. 229,654 12/1973 Croyle D7/542
- D. 238,236 12/1975 Montesi D7/542
- D. 251,169 2/1979 Ono D7/584
- D. 296,640 7/1988 Miller D7/545
- D. 309,554 7/1990 Meisner .

- D. 329,572 9/1992 Krupa D7/545 X
- D. 336,596 6/1993 Osgood et al. D7/542
- 2,614,406 10/1952 Carpenter D7/534 X
- 3,915,532 10/1975 Ashton D7/629 X
- 4,351,447 9/1982 Graff D7/542 X
- 4,532,397 7/1985 McClelland D7/542 X

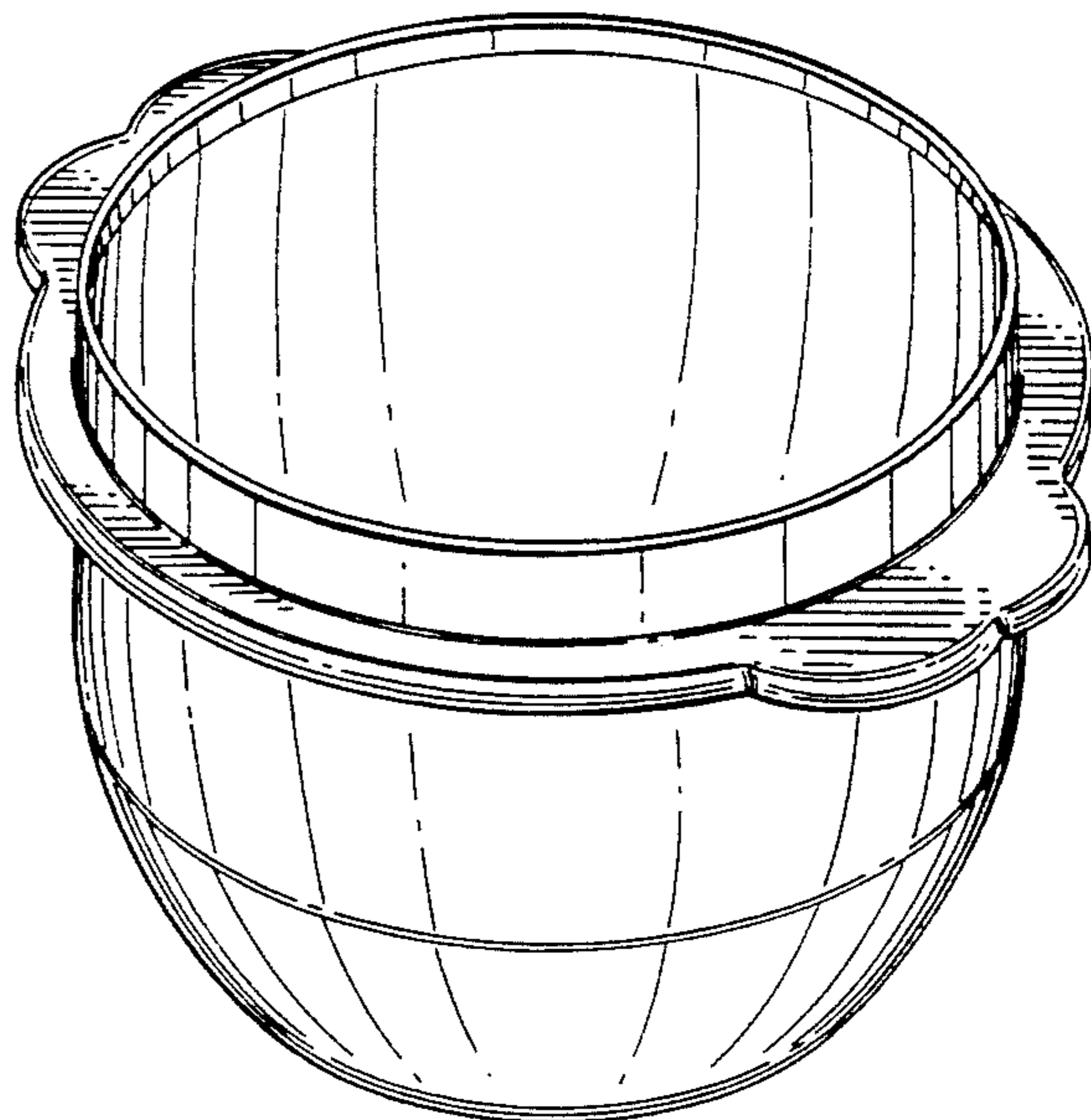
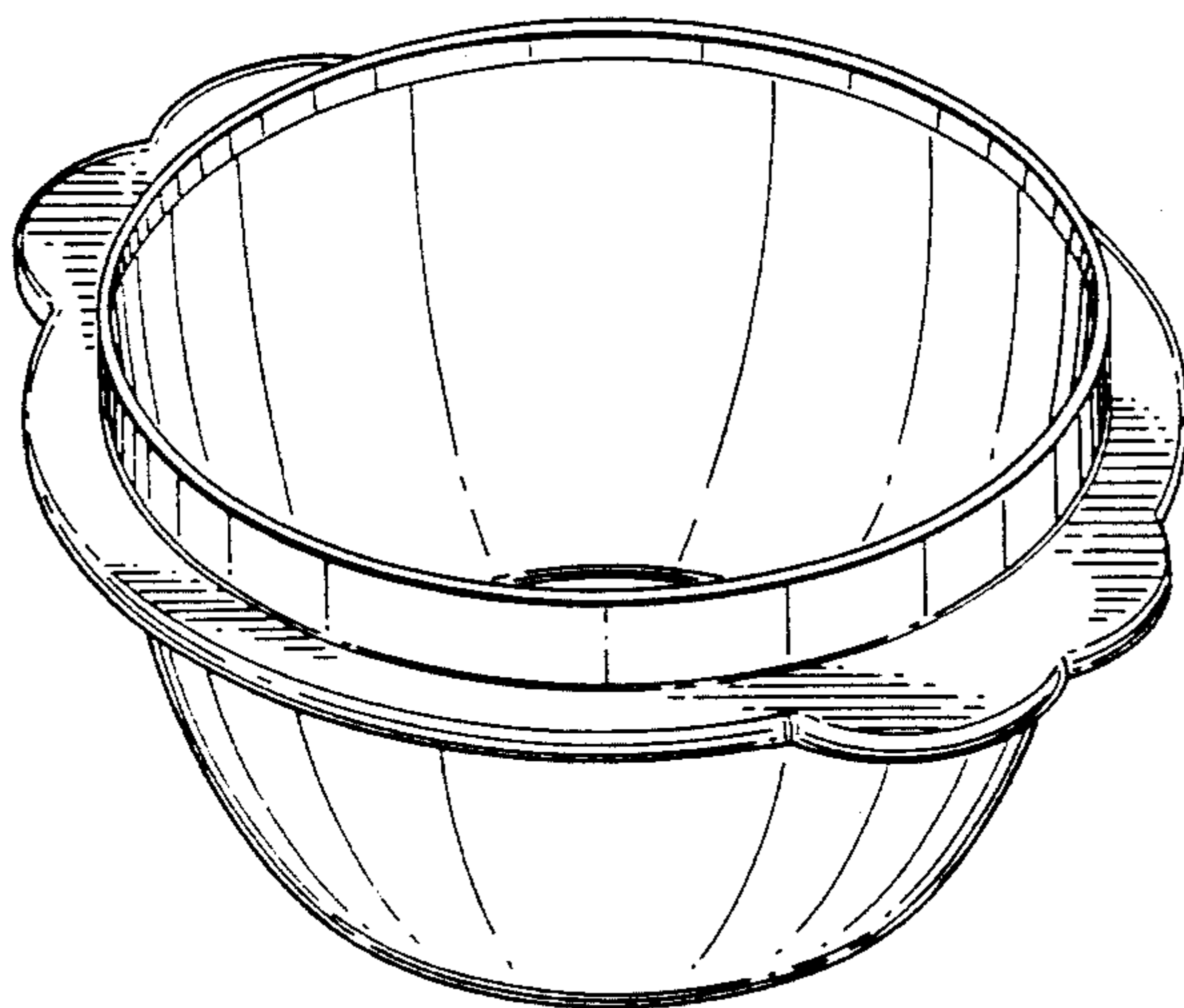
Primary Examiner—Alan P. Douglas
Assistant Examiner—M. N. Pandozzi
Attorney, Agent, or Firm—John A. Doninger

[57] CLAIM

The ornamental design for a serving bowl, as shown and described.

DESCRIPTION

FIG. 1 is a top, front perspective view of a serving bowl showing our new design;
 FIG. 2 is a front elevational view thereof, the rear elevational view being identical;
 FIG. 3 is a side elevational view, the opposite side elevation being identical;
 FIG. 4 is a top plan view;
 FIG. 5 is a bottom plan view;
 FIG. 6 is a cross-sectional view taken on line 6—6 of FIG. 4;
 FIG. 7 is a top, front perspective view of a serving bowl showing a second embodiment of our new design;
 FIG. 8 is a front elevational view thereof, the rear elevational view being identical;
 FIG. 9 is a side elevational view of FIG. 7, the opposite side elevation being identical;
 FIG. 10 is a top plan view of FIG. 7;
 FIG. 11 is a bottom plan view of FIG. 7; and,
 FIG. 12 is a cross-sectional view of FIG. 7 taken on line 12—12 of FIG. 10.



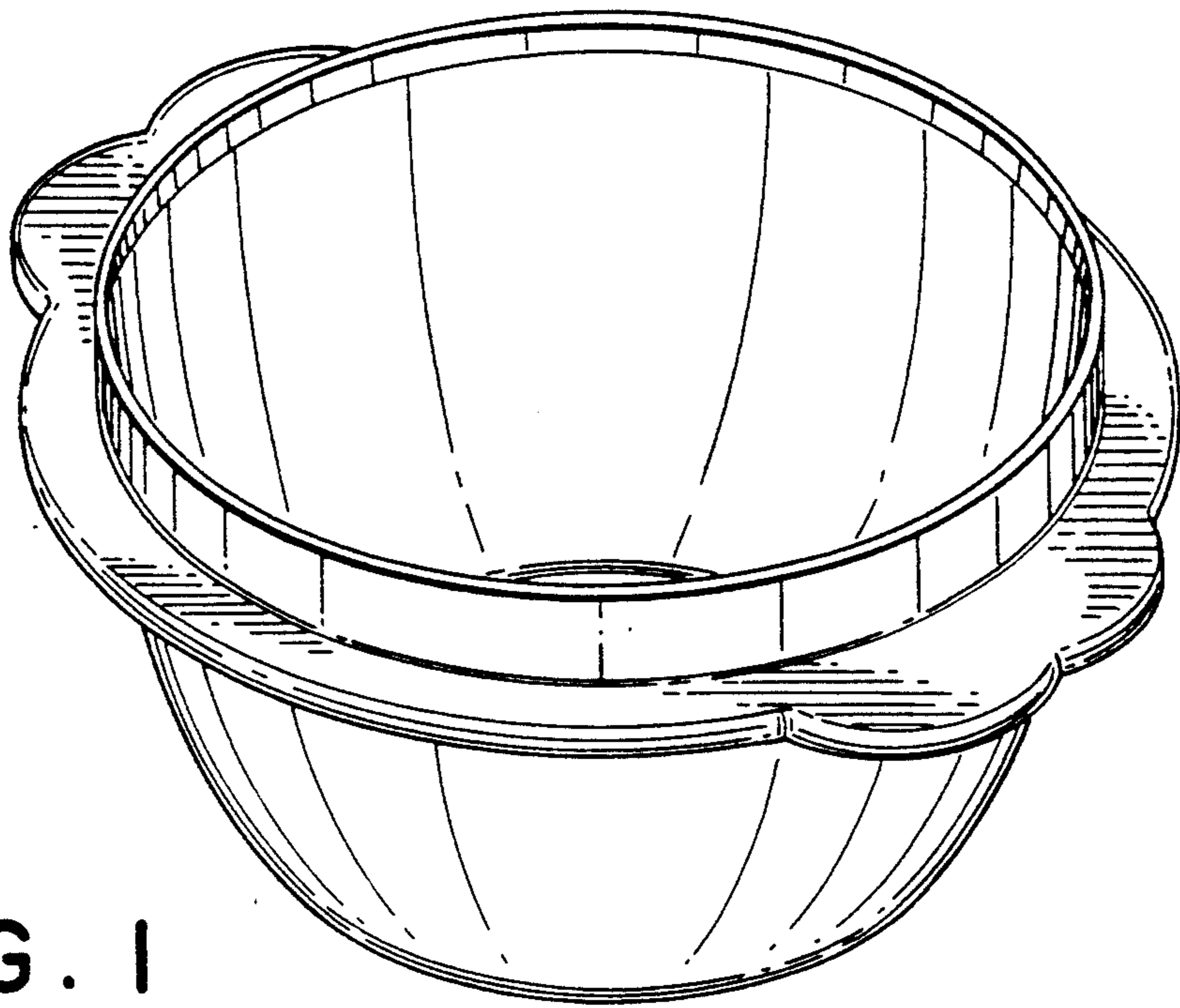


FIG. 1

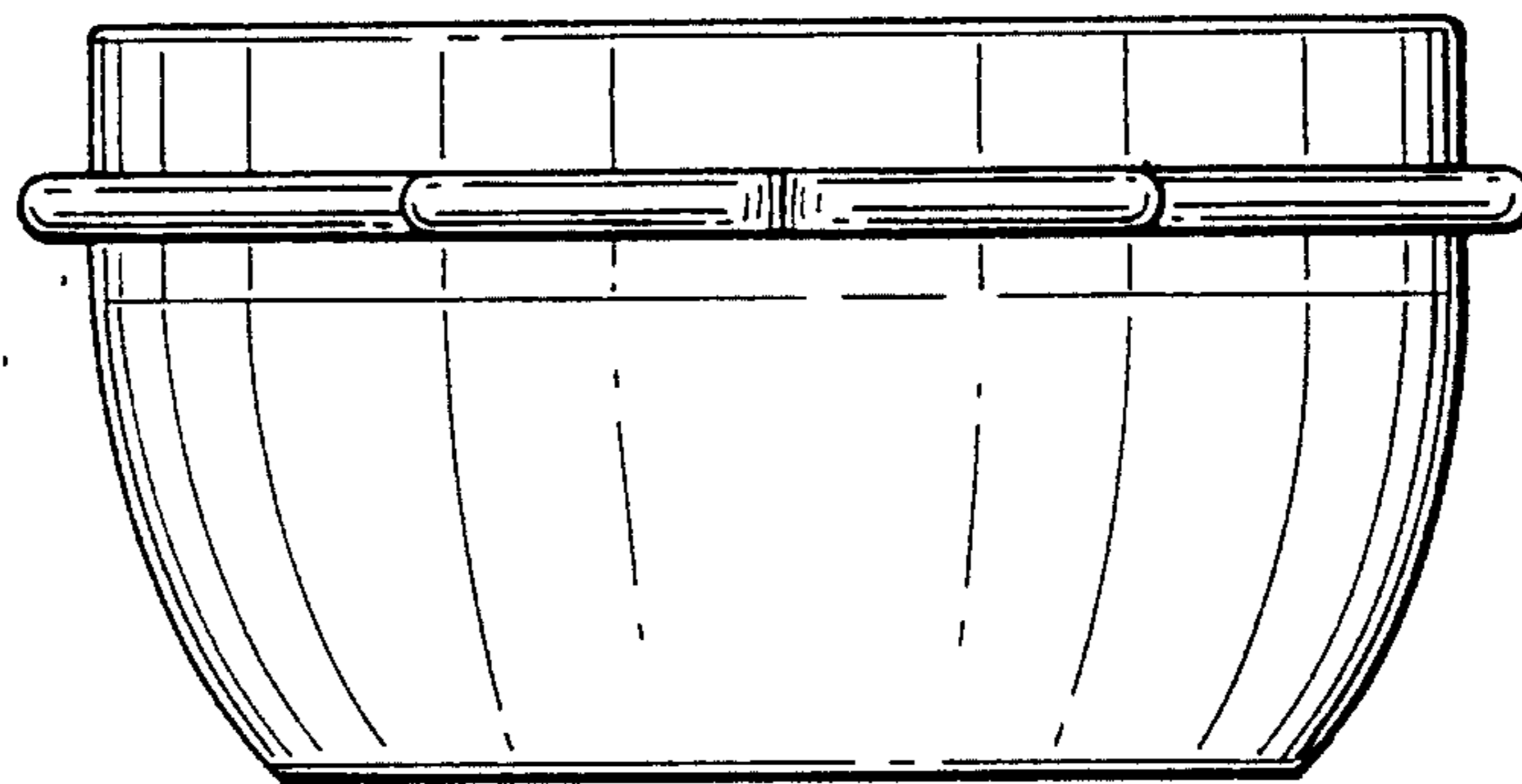


FIG. 2

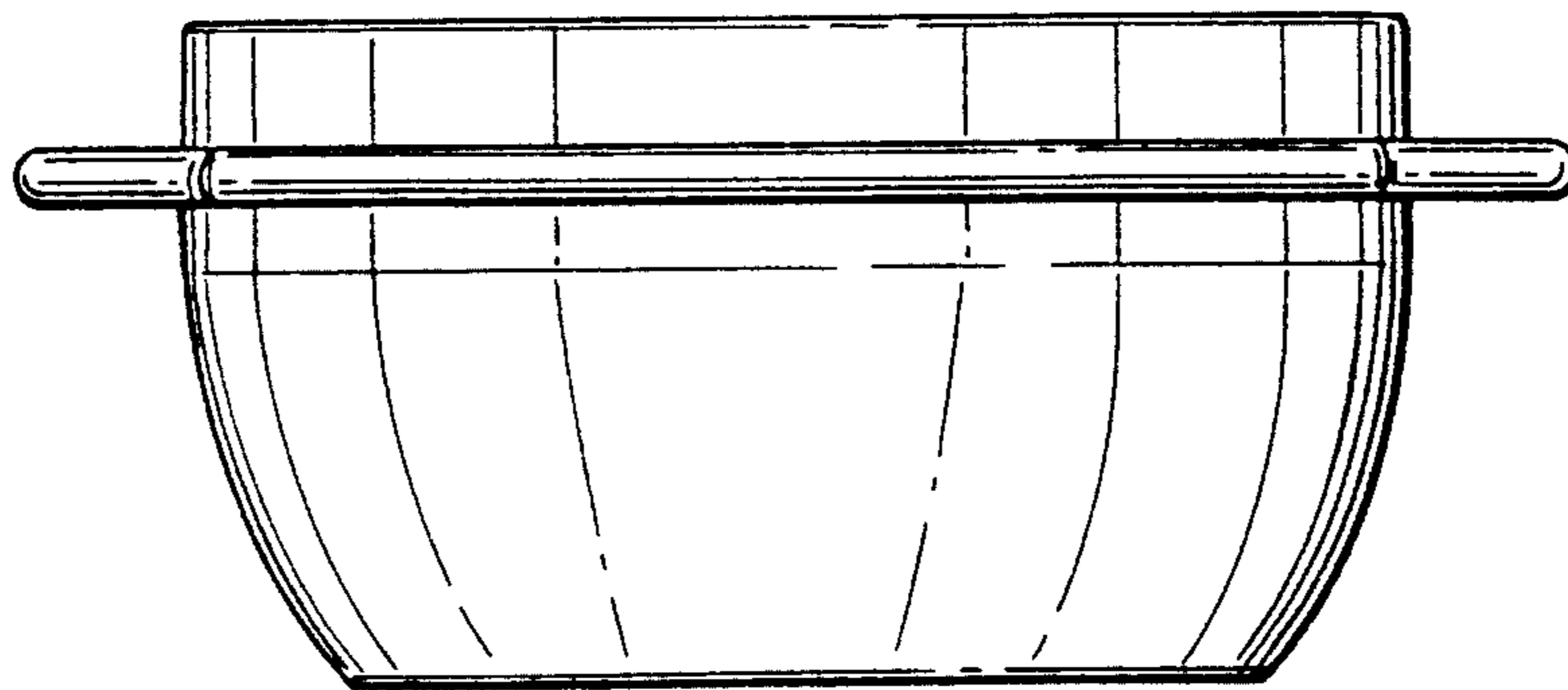


FIG. 3

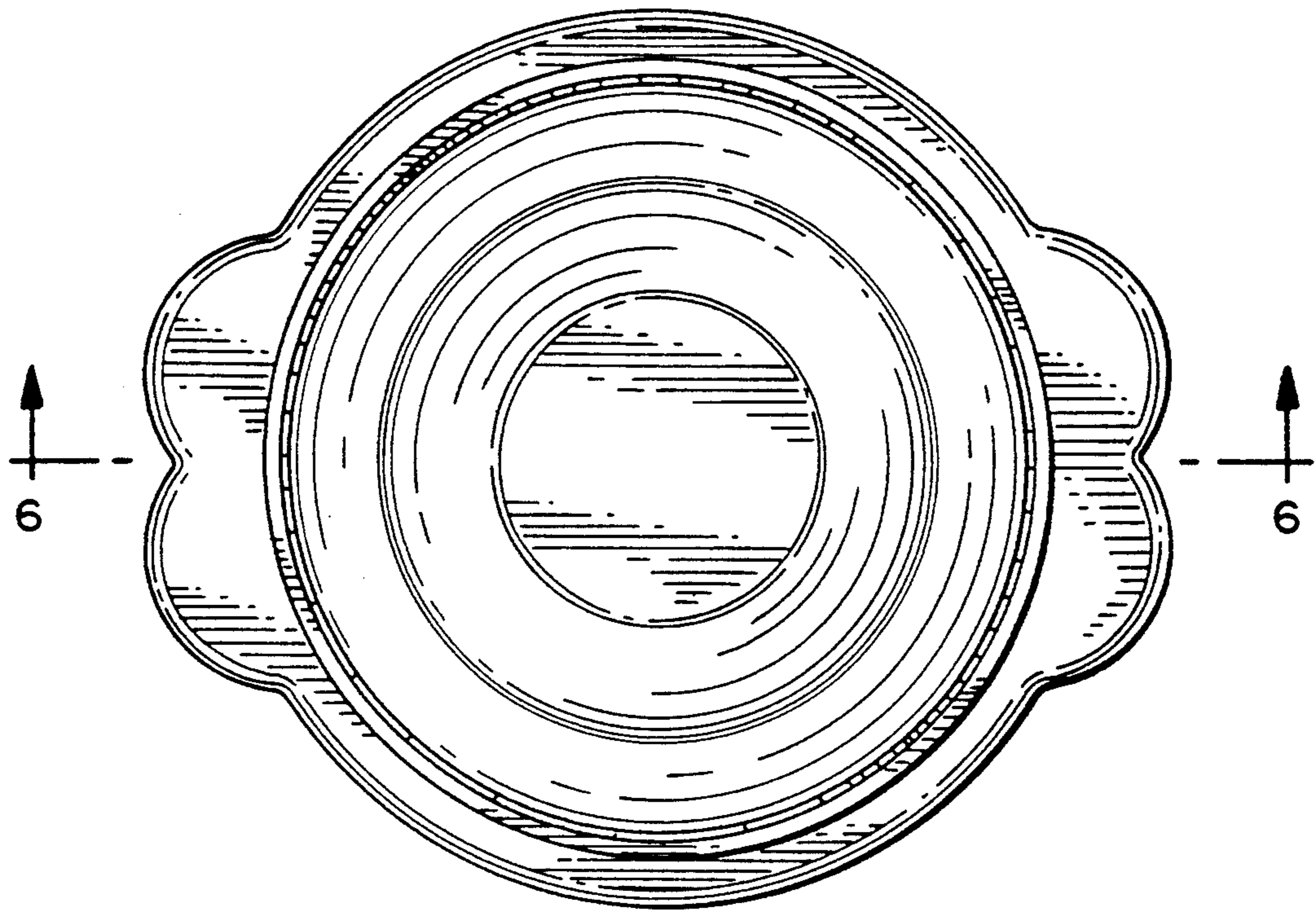


FIG. 4

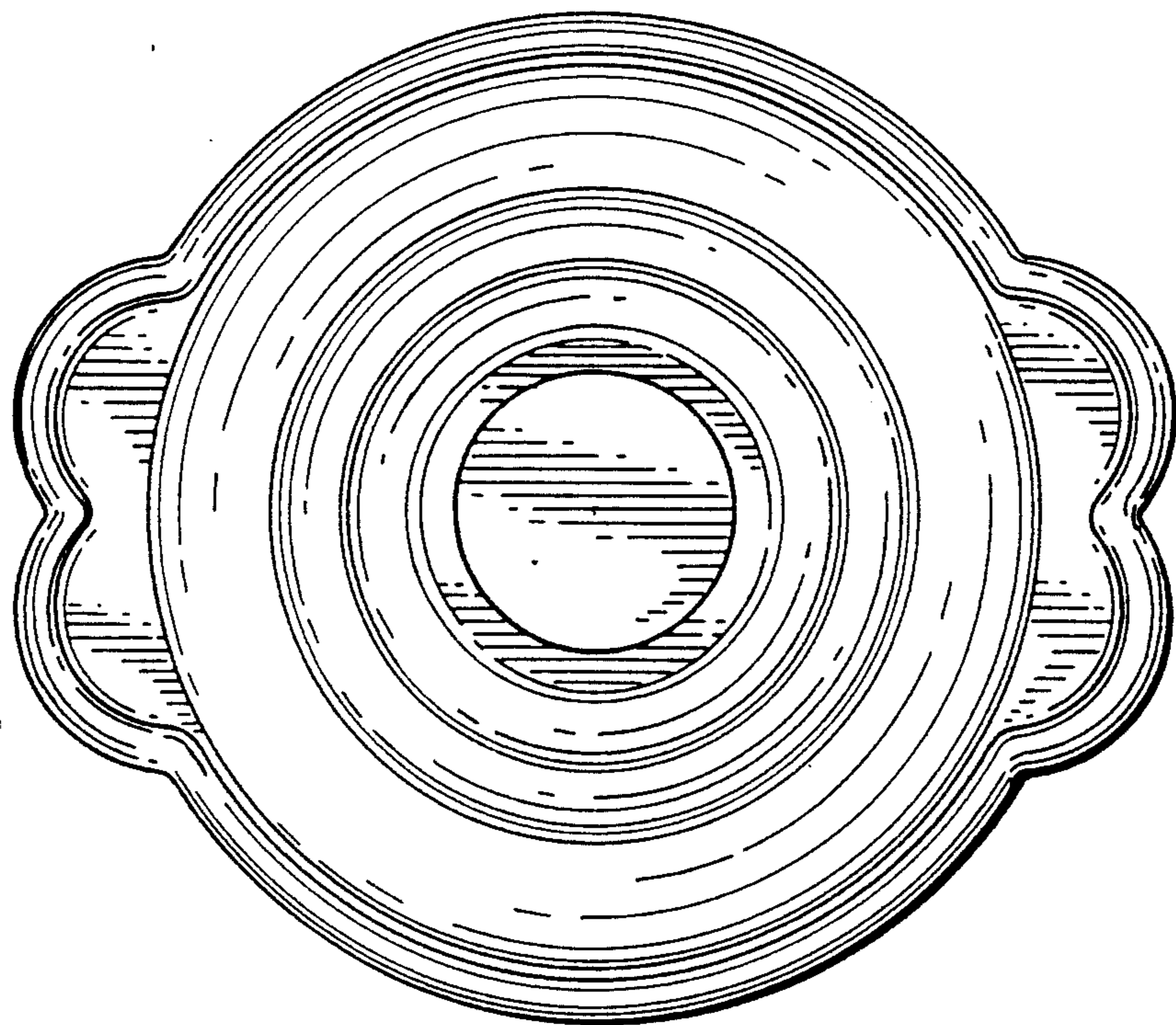


FIG. 5

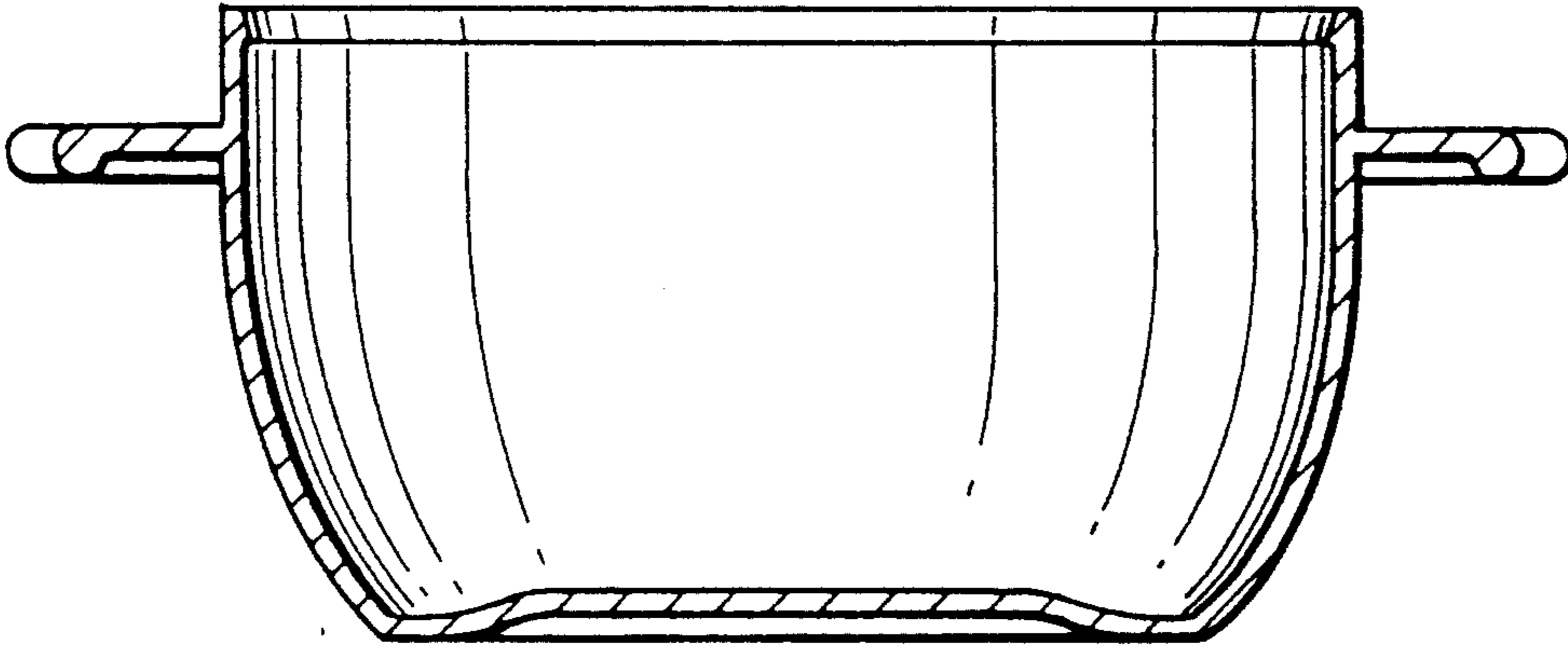


FIG. 6

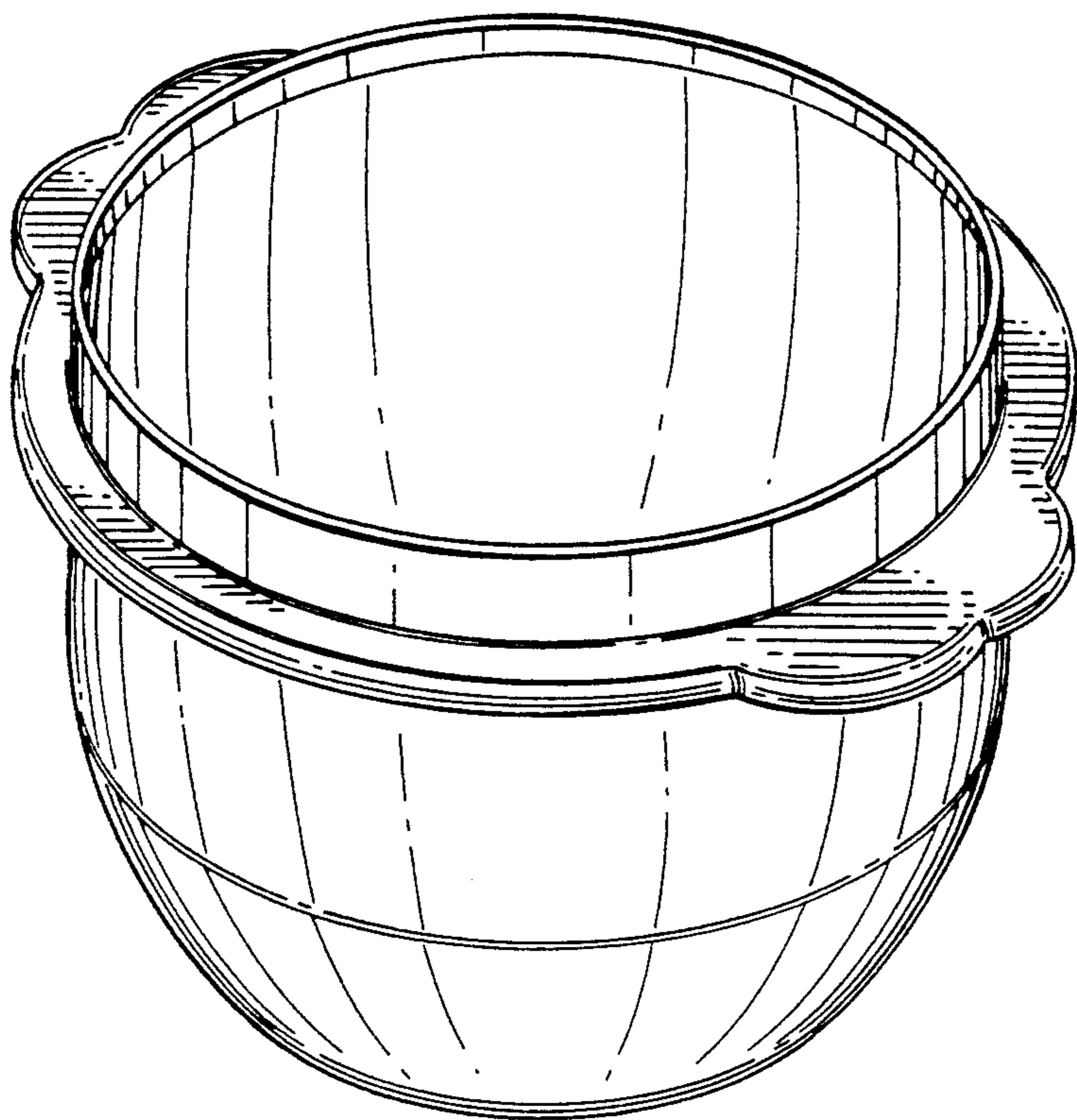


FIG. 7

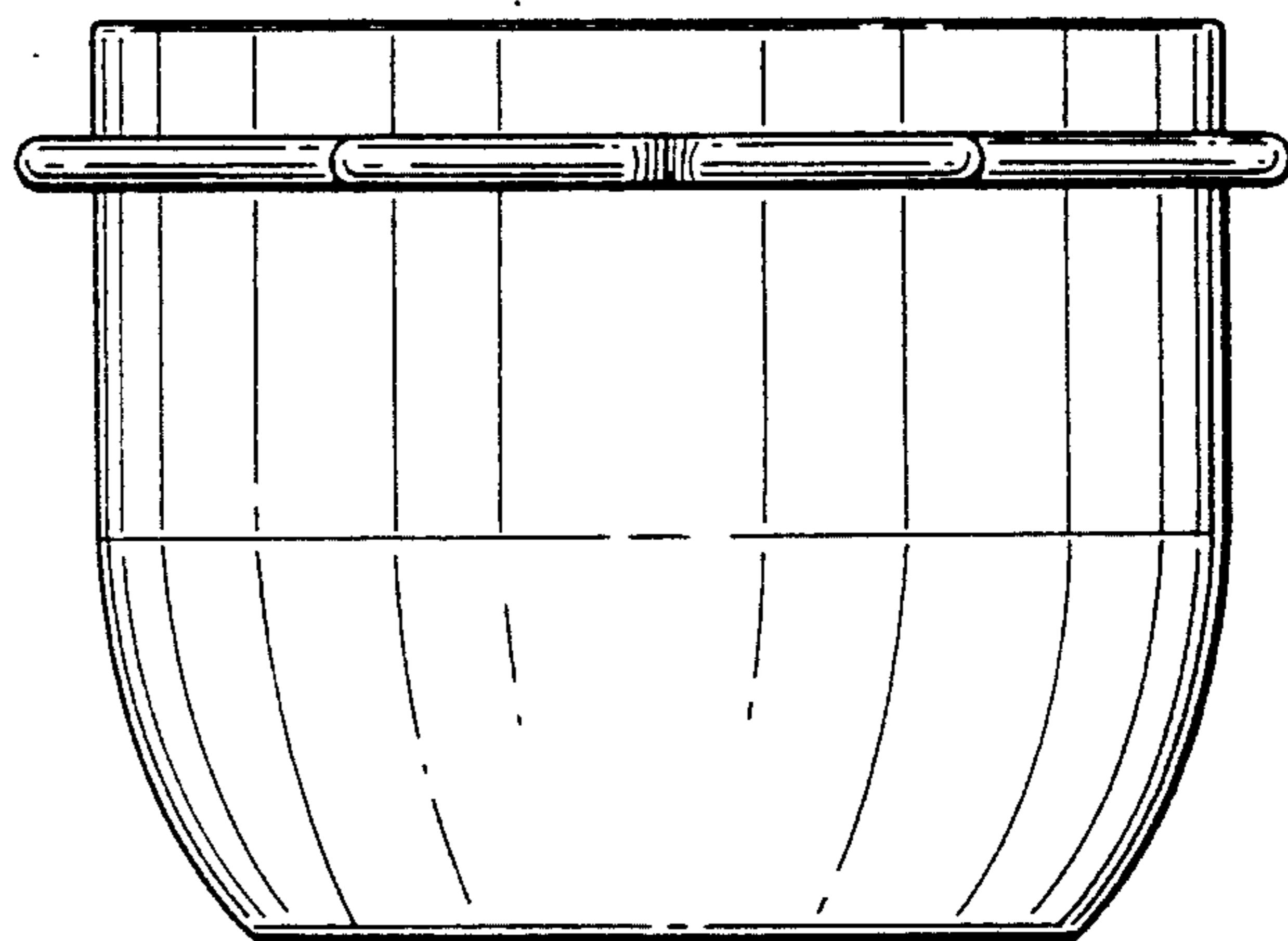


FIG. 8

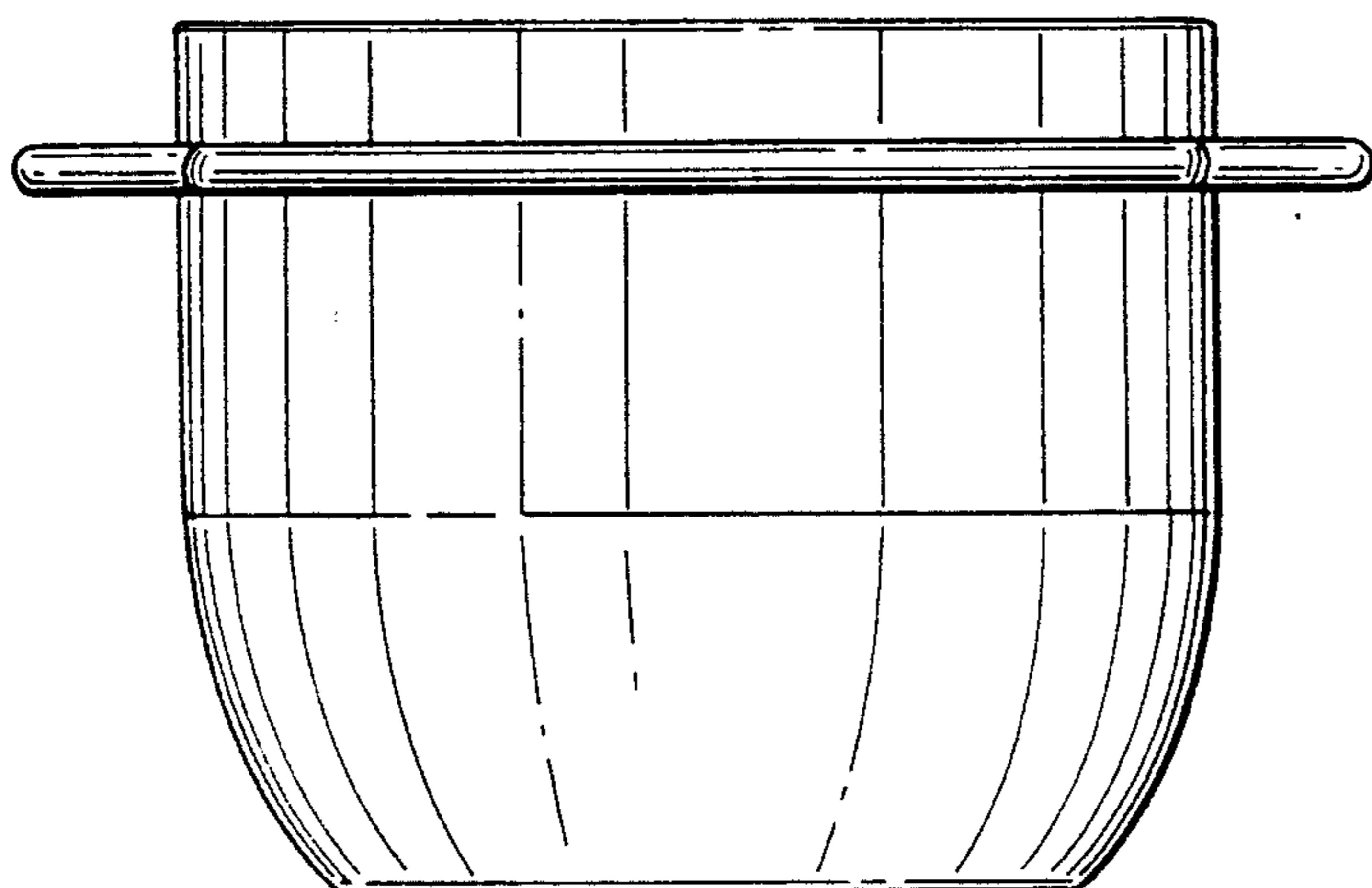


FIG. 9

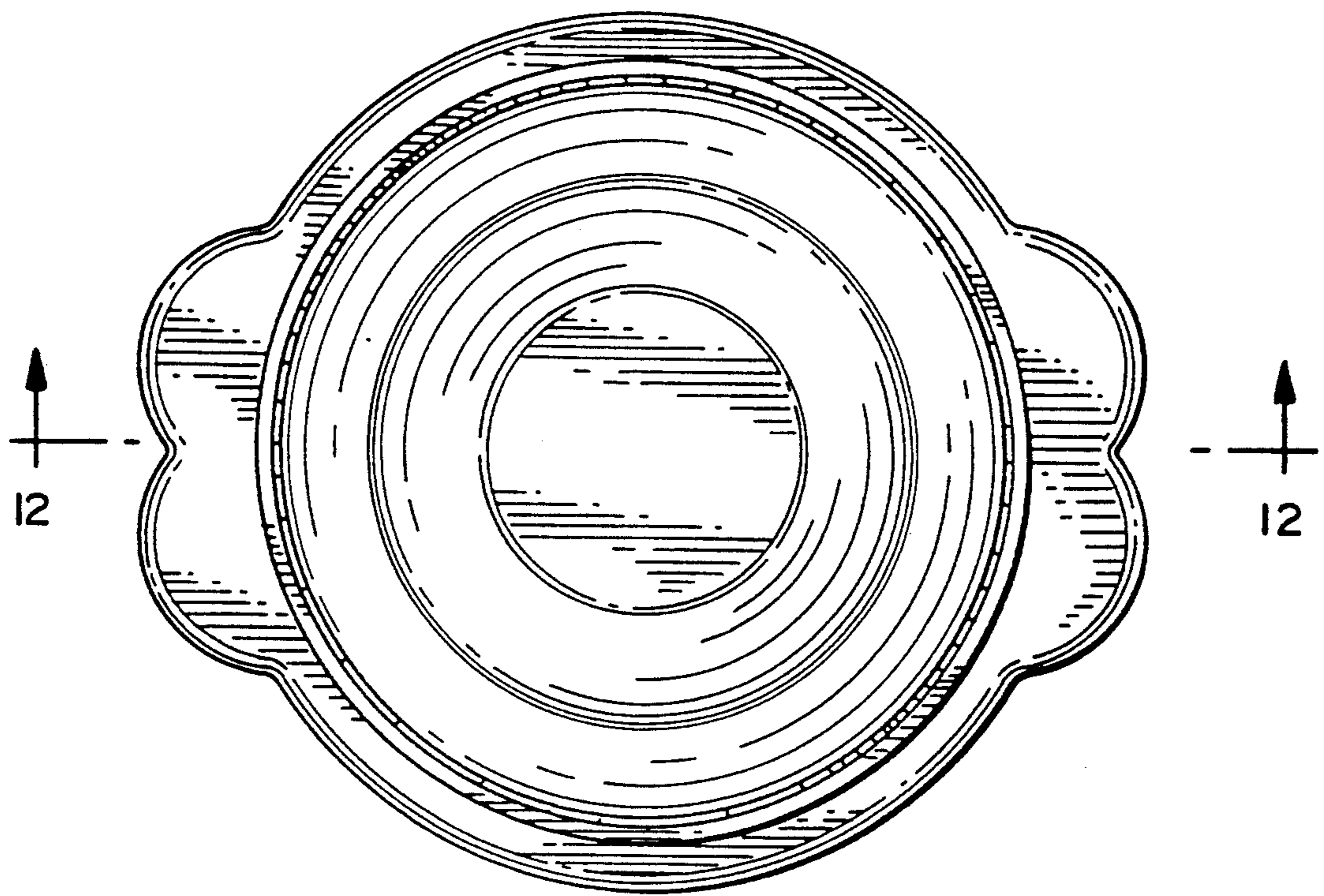


FIG. 10

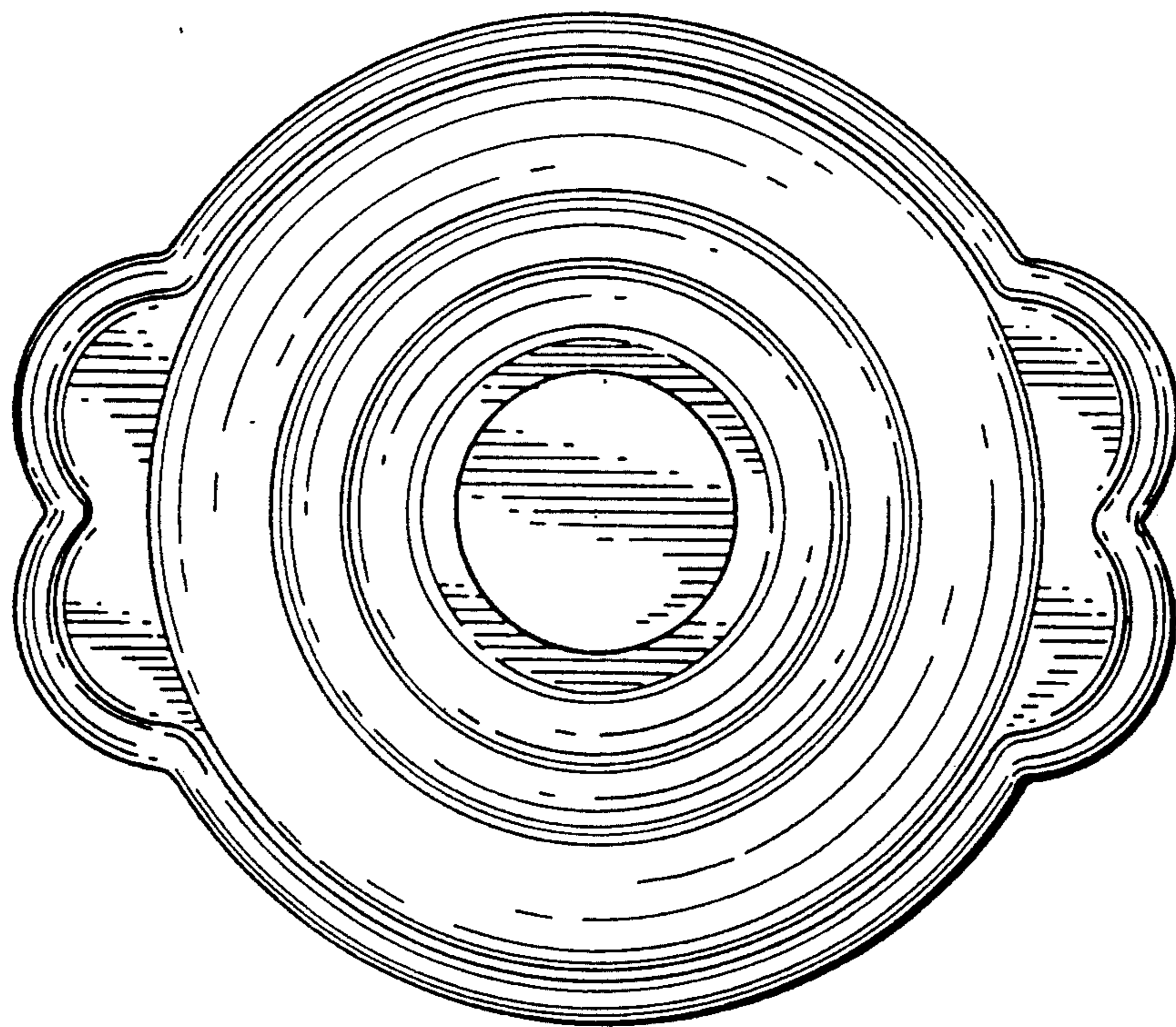


FIG. 11

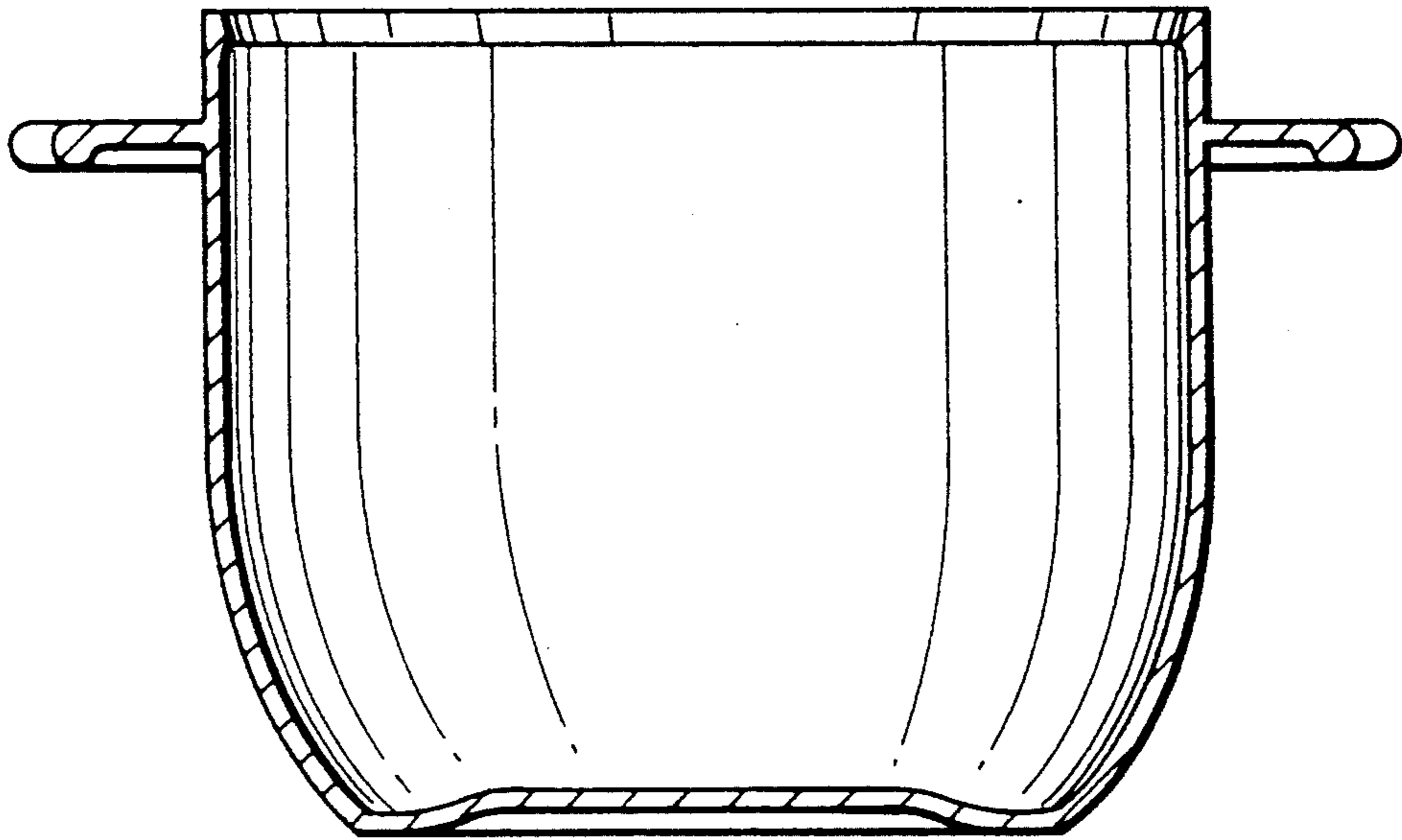


FIG. 12