



US00D348998S

# United States Patent [19]

[11] Patent Number: **Des. 348,998**

Siroonian

[45] Date of Patent: **\*\* Jul. 26, 1994**

[54] **ENTERTAINMENT CENTER**

[75] Inventor: **Victor K. Siroonian, Fayetteville, Ark.**

[73] Assignee: **Leisure Time Products, Inc., Siloam Springs, Ark.**

[\*\*] Term: **14 Years**

[21] Appl. No.: **929,803**

[22] Filed: **Aug. 13, 1992**

[52] U.S. Cl. .... **D6/477; D6/481**

[58] Field of Search ..... **D6/477-479, D6/449, 474, 470, 481; 108/106-108, 111; 211/135, 136, 186; D34/19-21, 17**

[56] **References Cited**

**U.S. PATENT DOCUMENTS**

D. 176,591	1/1956	Brown	.....	D6/470
D. 184,520	3/1959	Greenberg	.....	D6/481 X
D. 228,103	8/1973	Skalka et al.	.....	D6/481 X
D. 255,516	6/1980	Pittman	.....	D6/481 X
D. 255,735	7/1980	Gace	.....	D6/477
D. 257,751	1/1981	Redmond	.....	D6/481 X
D. 258,477	3/1981	Pittman	.....	D6/481 X
D. 258,478	3/1981	Zola	.....	D6/481

D. 301,096 5/1989 Bosh et al. .... D6/477  
D. 321,571 11/1991 Lucariello ..... D6/481 X

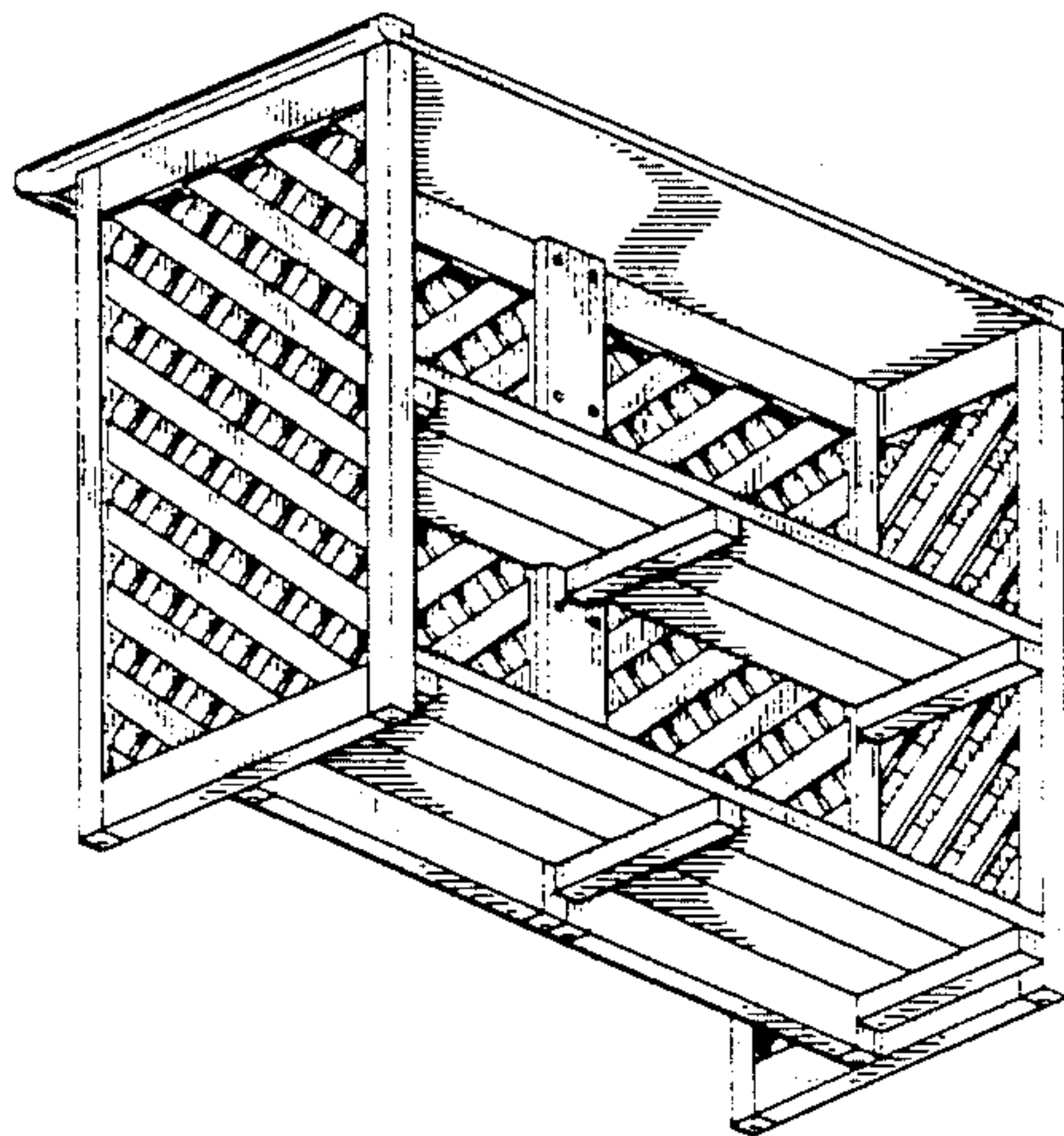
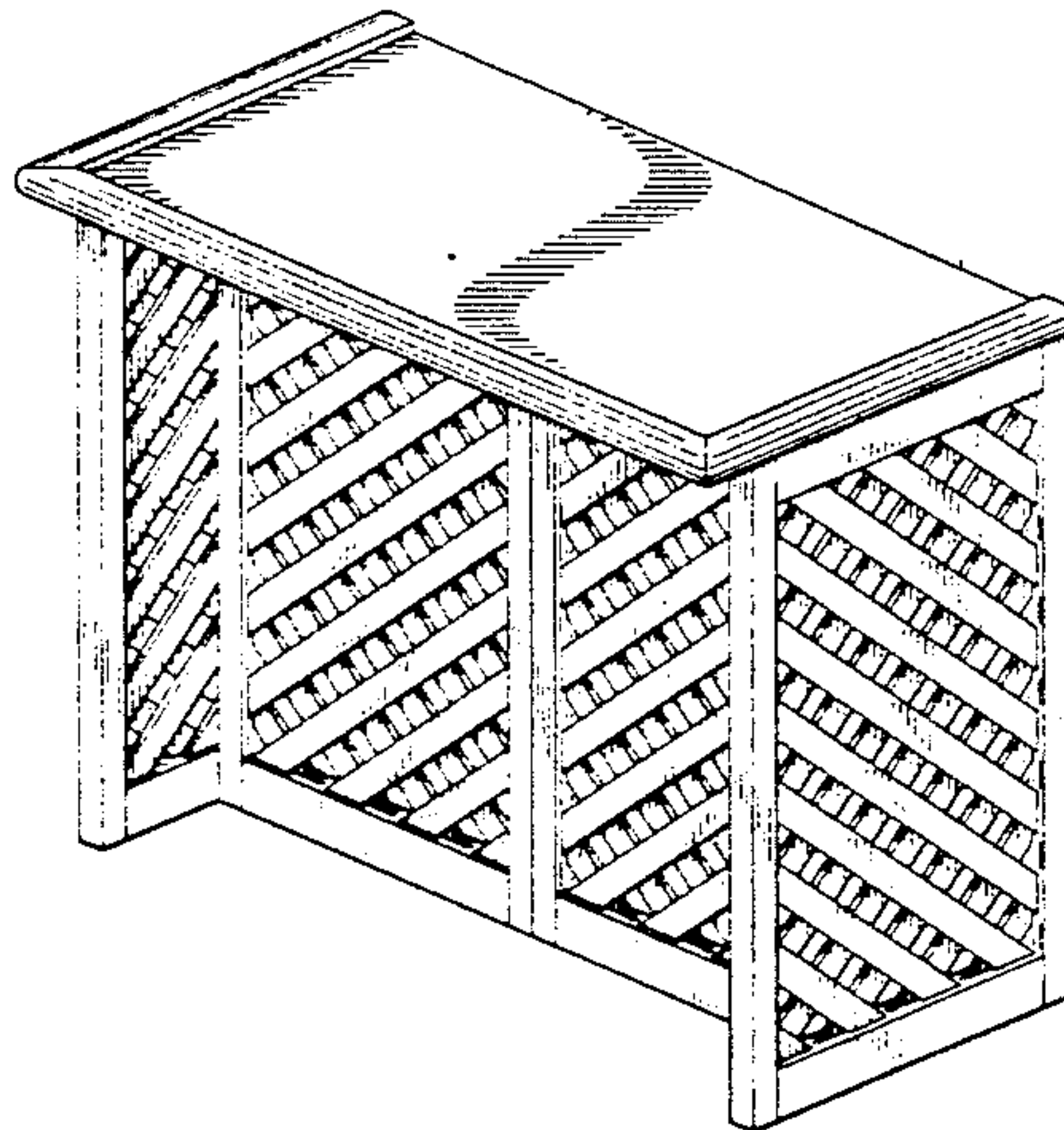
*Primary Examiner*—Nelson C. Holtje  
*Assistant Examiner*—Jeffrey Asch  
*Attorney, Agent, or Firm*—Boyd D. Cox

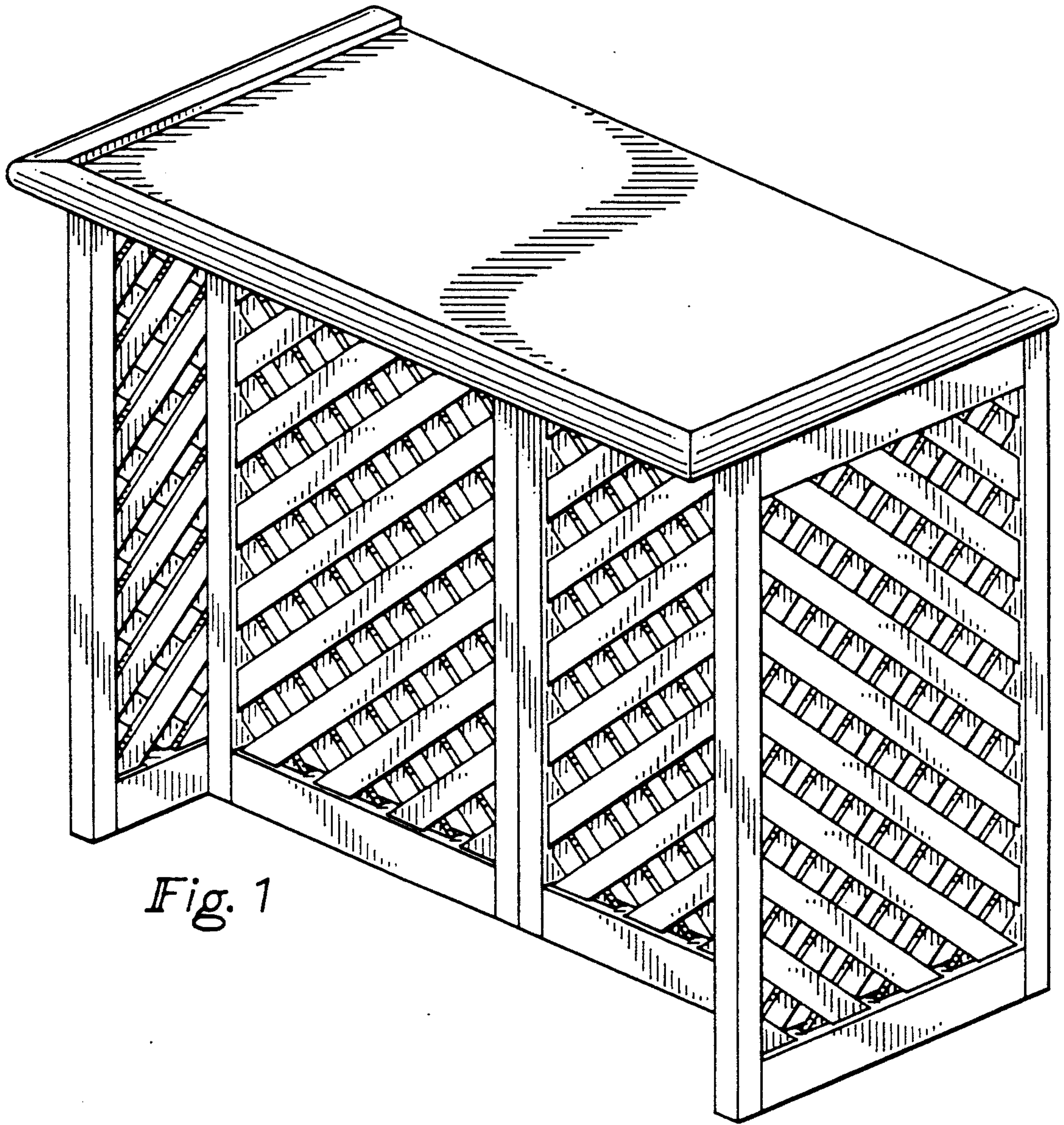
[57] **CLAIM**

The ornamental design for an entertainment center, as shown.

**DESCRIPTION**

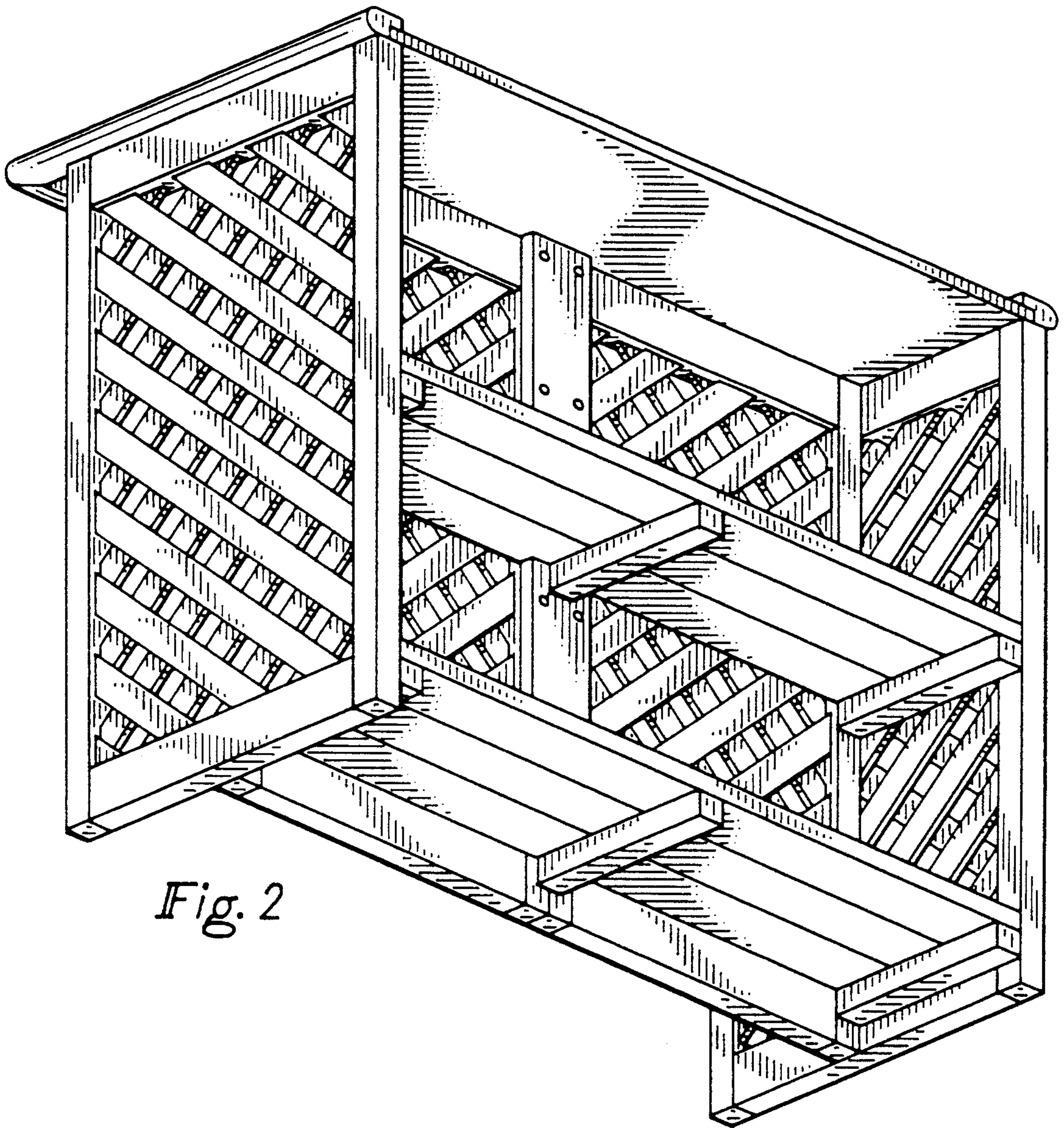
FIG. 1 is a front, top perspective view of the entertainment center of the present invention;  
FIG. 2 is a rear, bottom perspective view of the entertainment center of FIG. 1;  
FIG. 3 is a front view in elevation of the entertainment center of FIG. 1;  
FIG. 4 is a rear view in elevation of the entertainment center of FIG. 1;  
FIG. 5 is a top plan view of the entertainment center of FIG. 1;  
FIG. 6 is a bottom plan view of the entertainment center of FIG. 1; and,  
FIG. 7 is a side view in elevation of the entertainment center of FIG. 1 as seen from the right-hand side of FIG. 1.



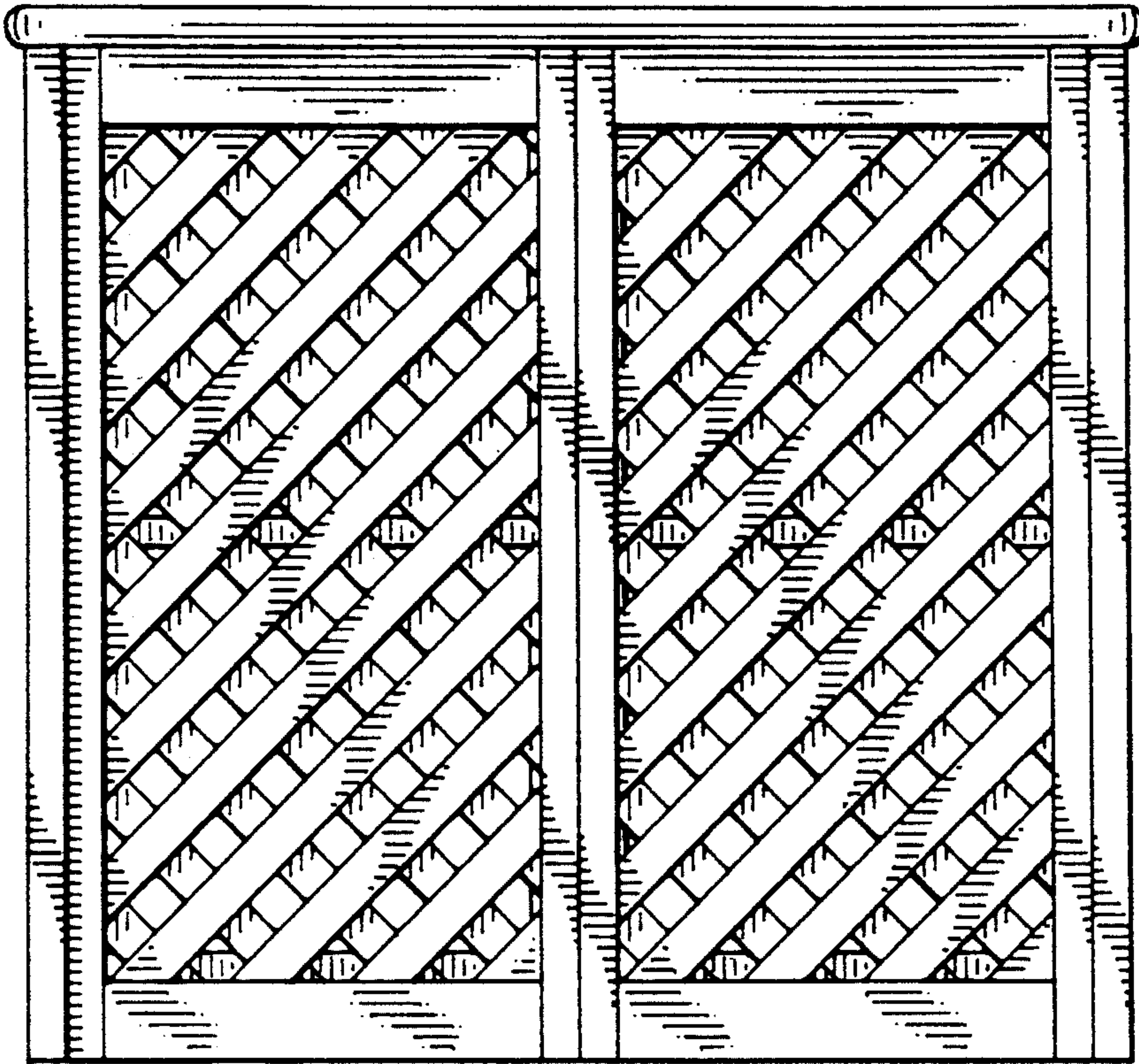


*Fig. 1*

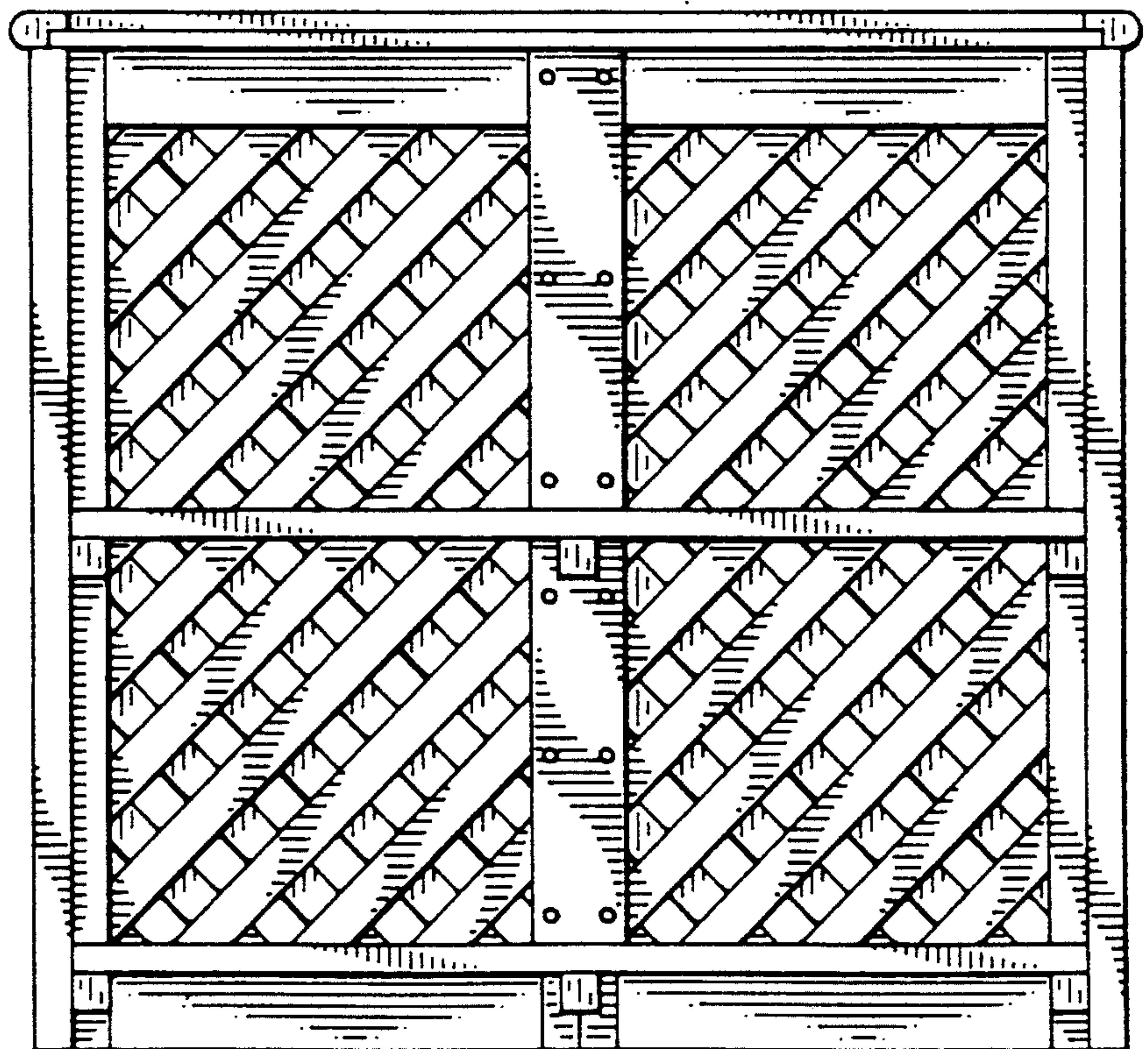




*Fig. 2*



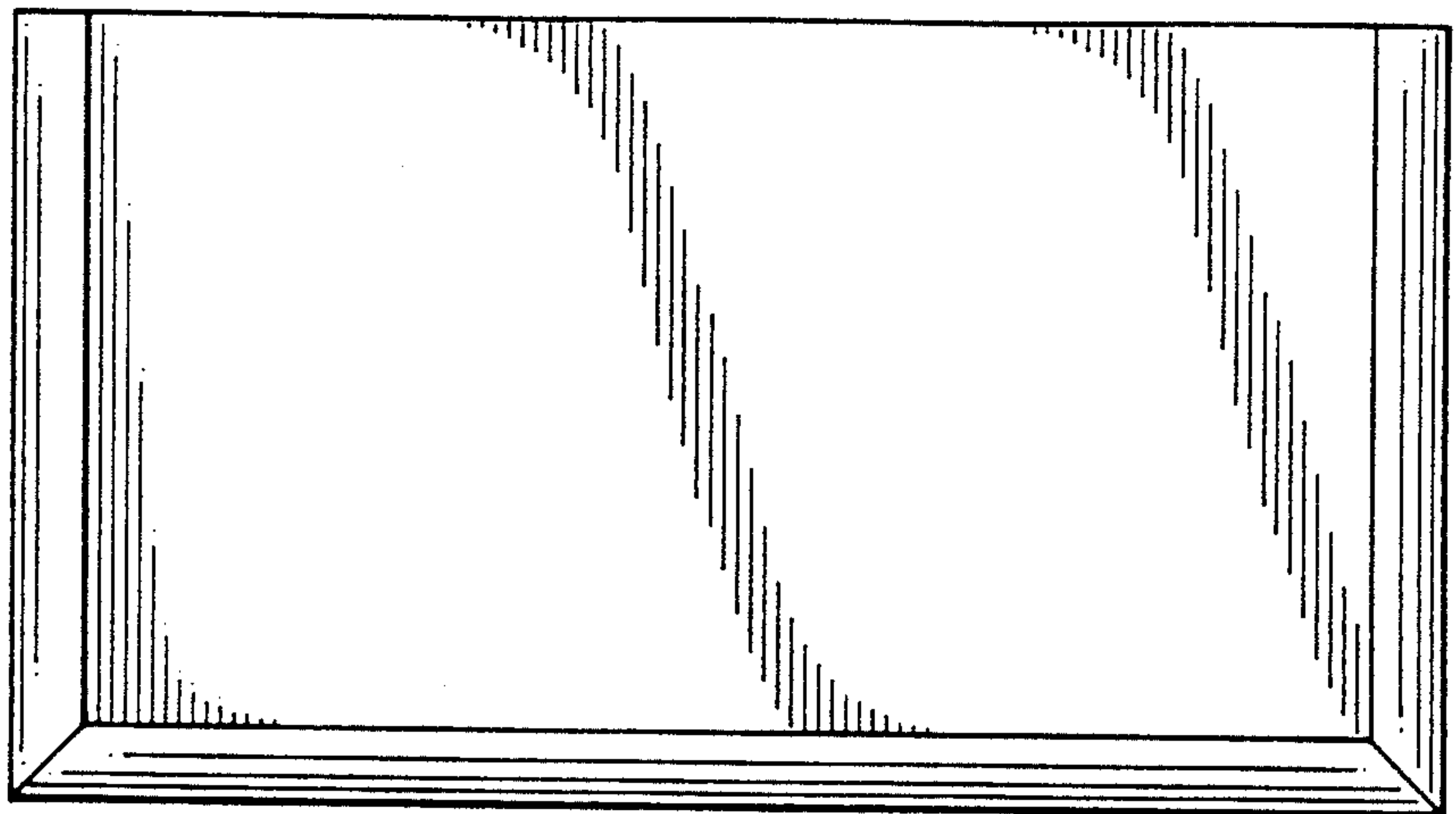
*Fig. 3*



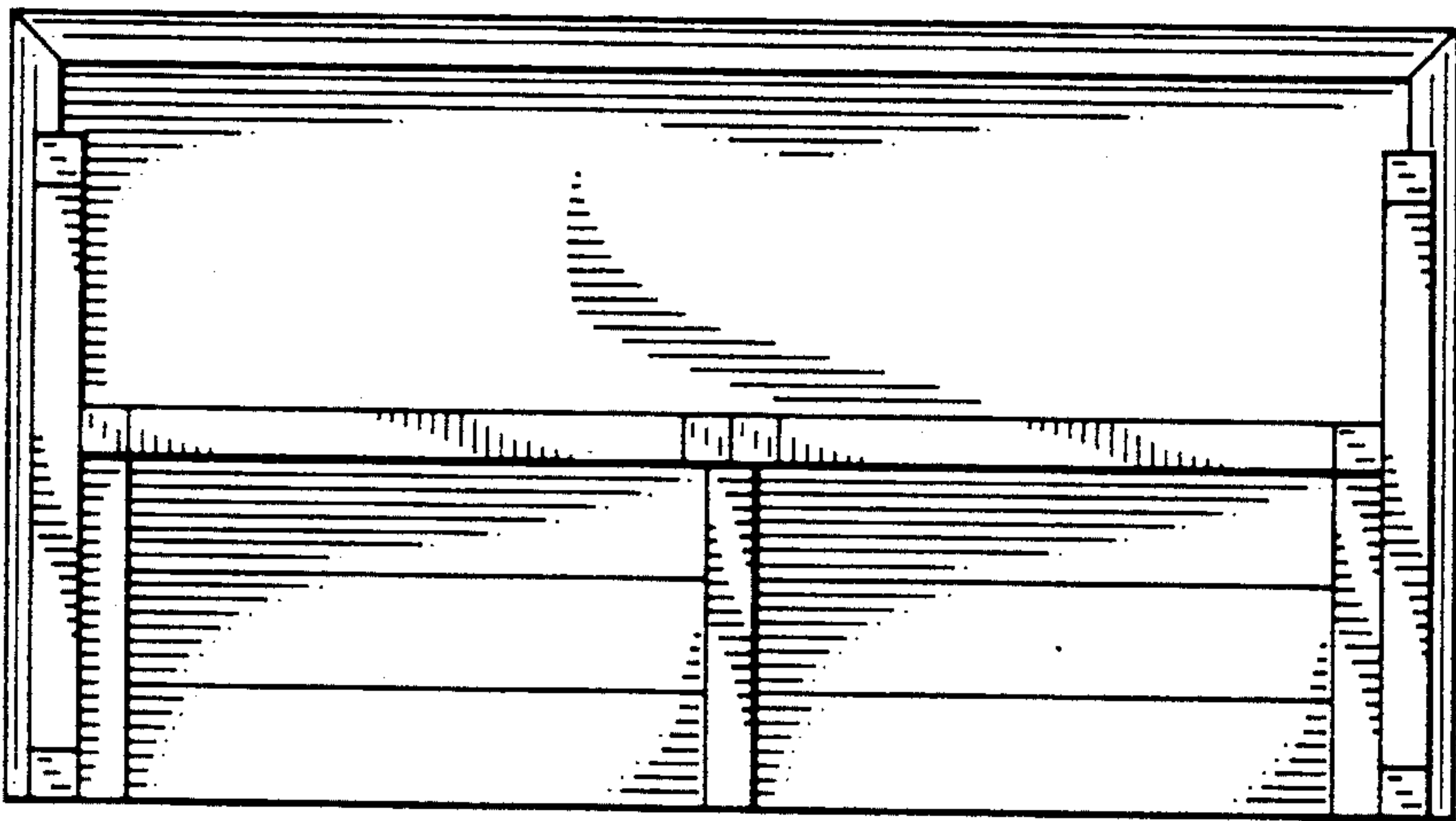
*Fig. 4*



*Fig. 5*



*Fig. 6*



*Fig. 7*

