



US00D348996S

# United States Patent [19]

[11] Patent Number: **Des. 348,996**

Saunders

[45] Date of Patent: **\*\* Jul. 26, 1994**

[54] **RACK AND SHELF SYSTEM TO HOLD CLEAR ACRYLIC BULK FOOD CONTAINERS**

4,238,035 12/1980 Kassanchuk ..... 211/181 X  
5,074,420 12/1991 Cappe, III ..... 211/42

[76] Inventor: **Michael P. Saunders**, 86 Parklane Crescent, London, Ontario, Canada, N6K 2T8

*Primary Examiner*—Nelson C. Holtje  
*Assistant Examiner*—Jeffrey Asch

[\*\*] Term: **14 Years**

[57] **CLAIM**

[21] Appl. No.: **924,541**

The ornamental design for the rack and shelf system to hold clear acrylic bulk food containers, as shown and described.

[22] Filed: **Aug. 4, 1992**

**DESCRIPTION**

[52] U.S. Cl. .... **D6/465**

[58] Field of Search ..... D6/449, 462-465, D6/466-468, 475, 476; 211/13, 181, 42

FIG. 1 is a top plan view of a rack and shelf system to hold clear acrylic bulk food containers showing my new design;

FIG. 2 is a left side elevational view thereof;

FIG. 3 is a rear elevational view thereof;

FIG. 4 is a bottom plan view thereof;

FIG. 5 is a right side elevational view thereof;

FIG. 6 is a front elevational view thereof; and,

FIG. 7 is a perspective plan view thereof.

[56] **References Cited**

**U.S. PATENT DOCUMENTS**

D. 290,970 7/1987 Rich ..... D6/462 X  
898,828 9/1908 Brown ..... 211/181 X

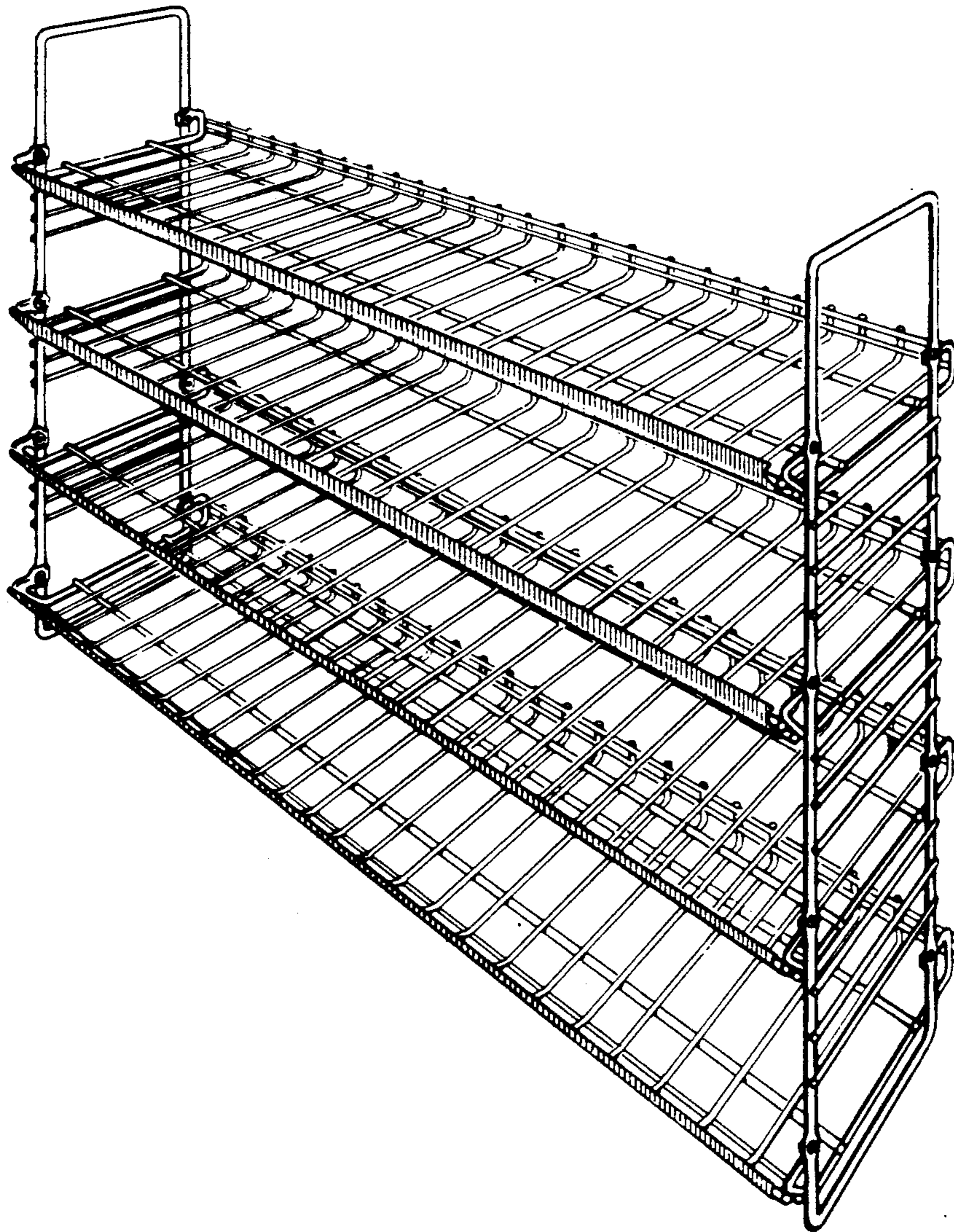


Fig 1

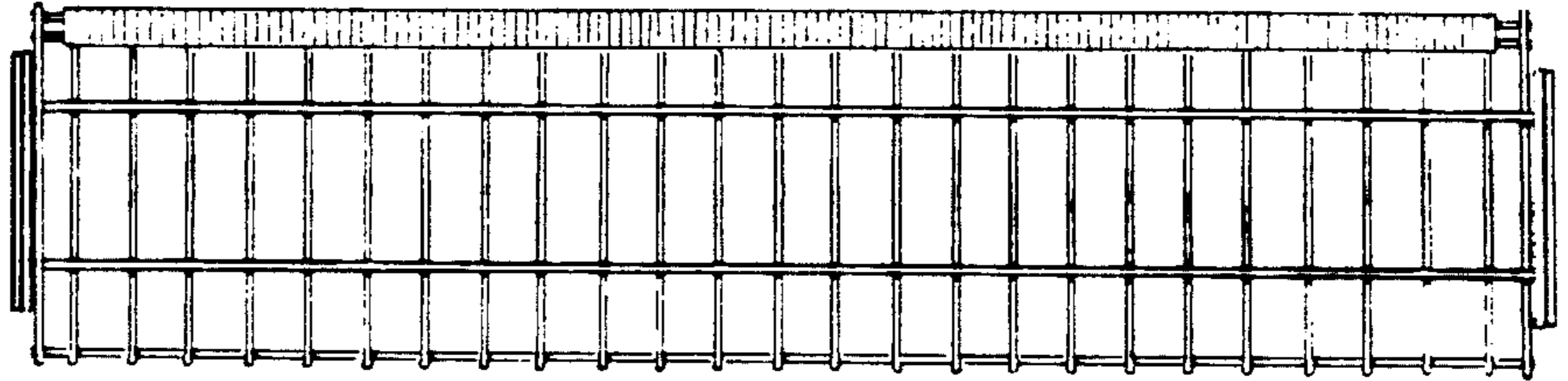


Fig 2

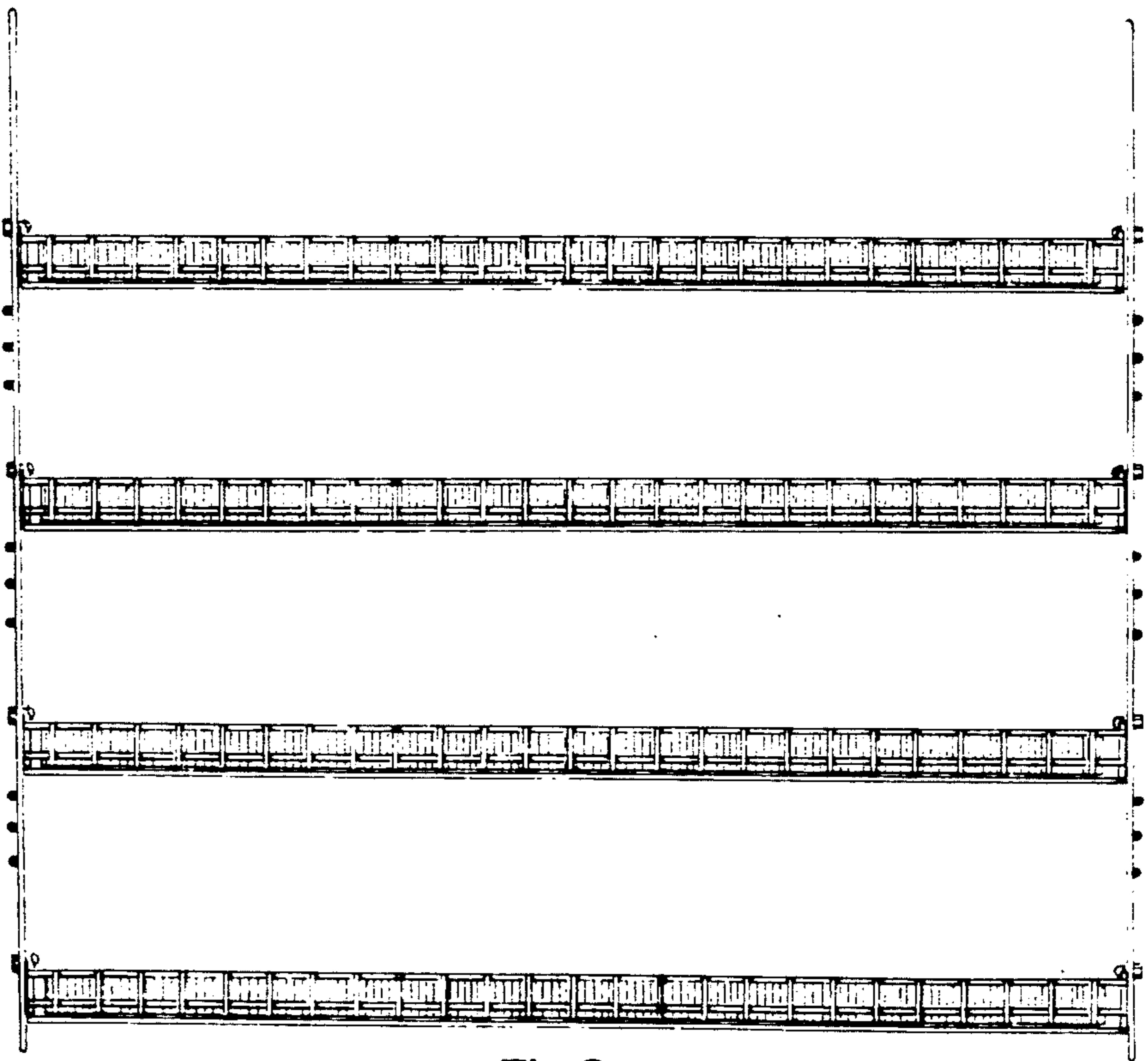
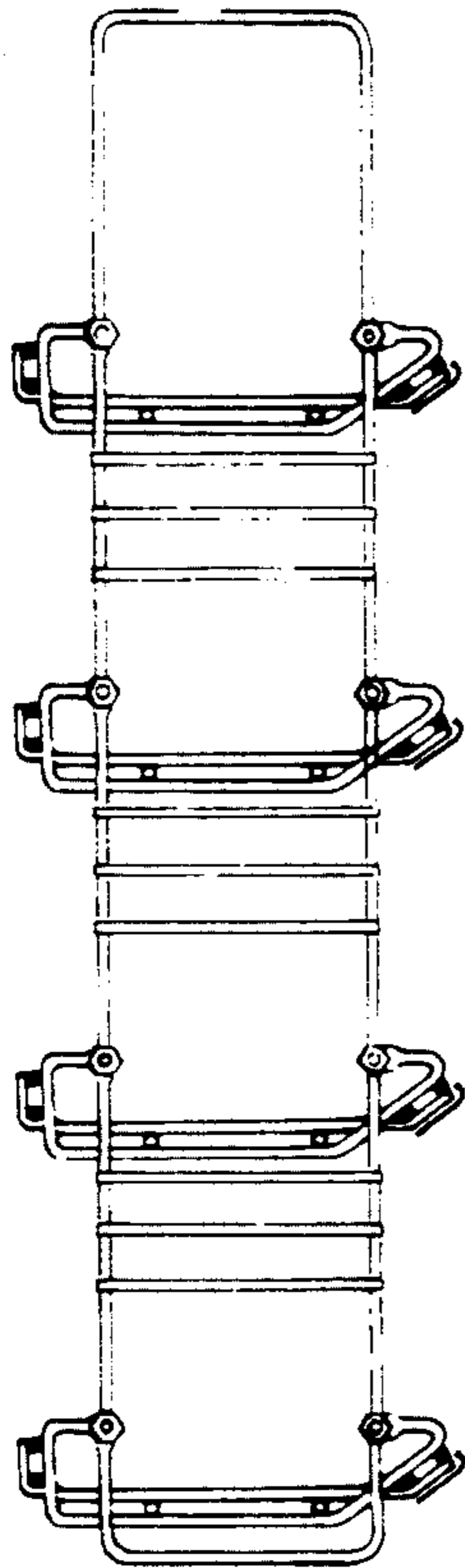


Fig 3

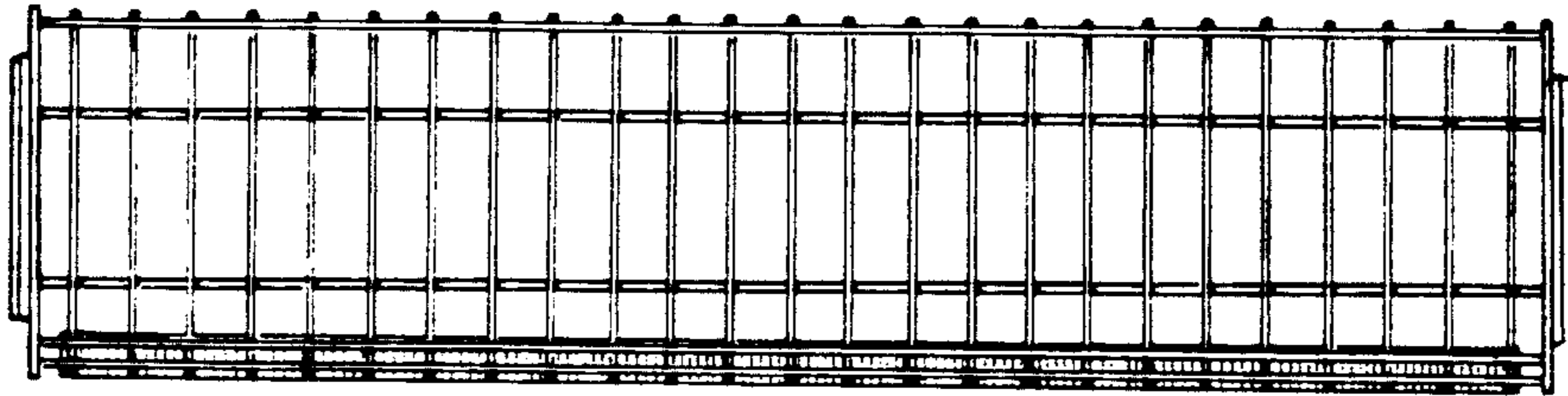


Fig 4

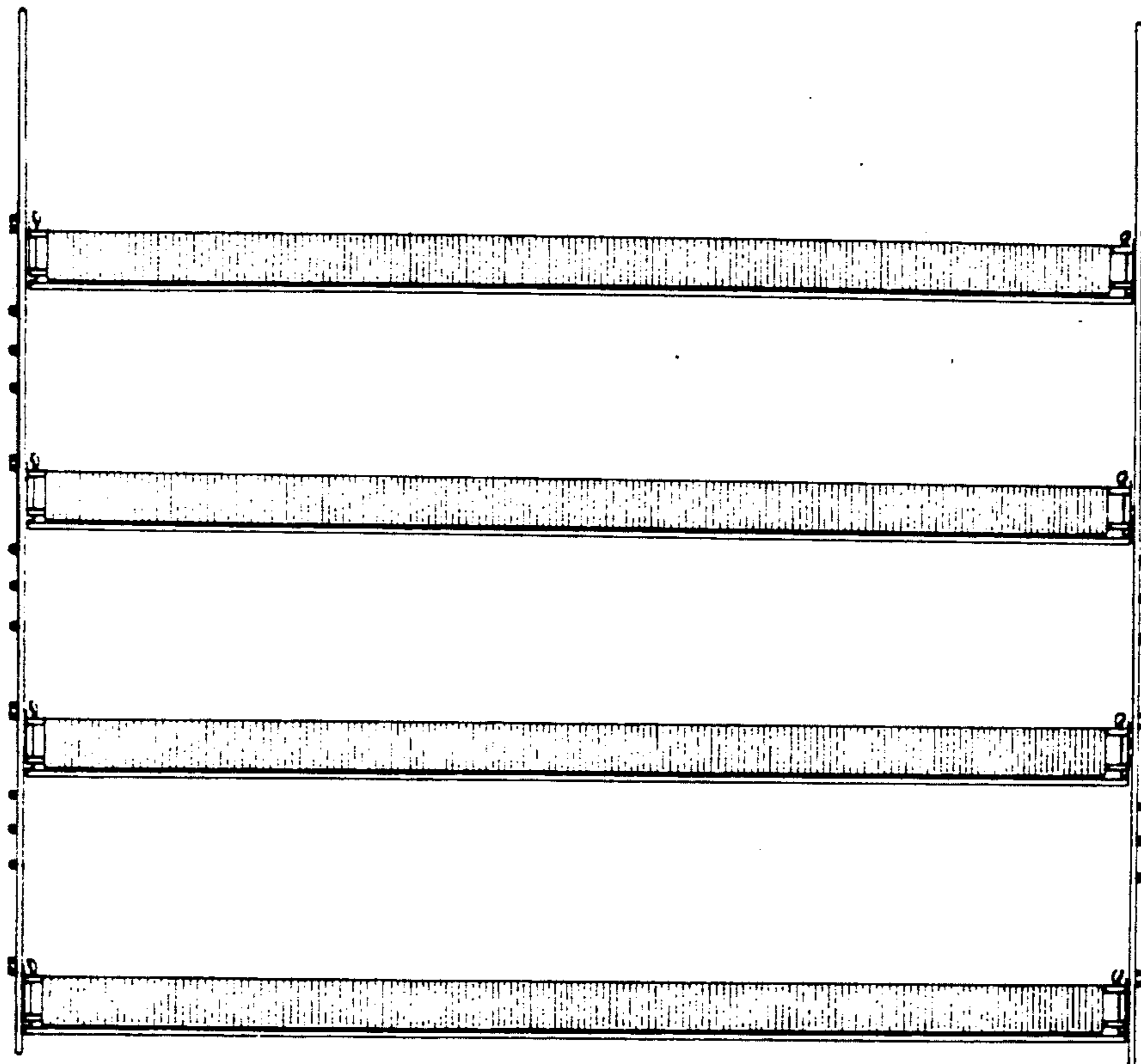


Fig 6

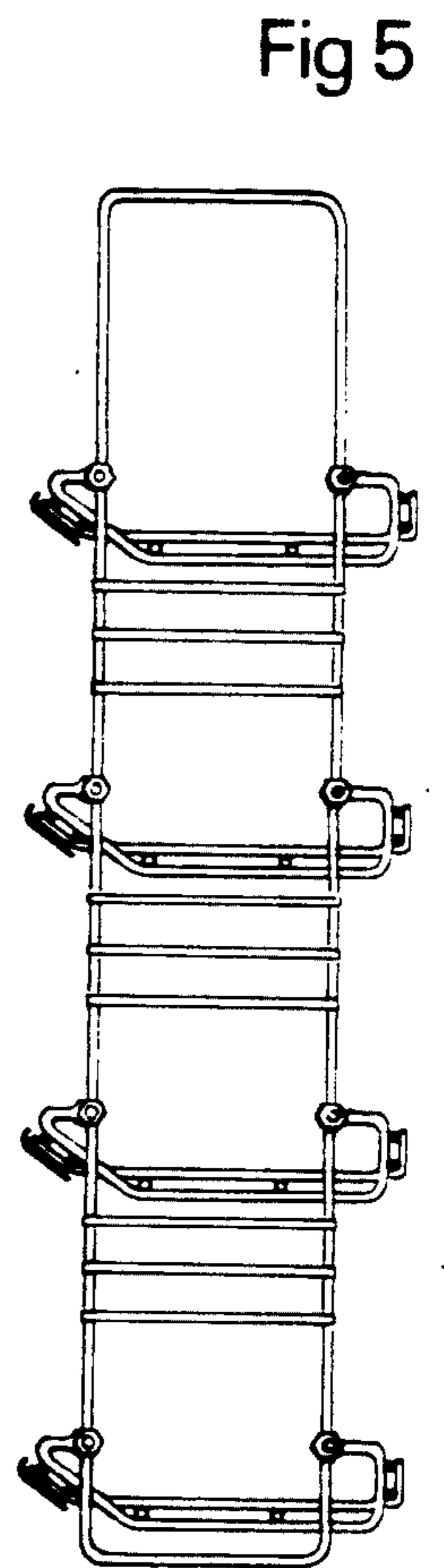


Fig 5

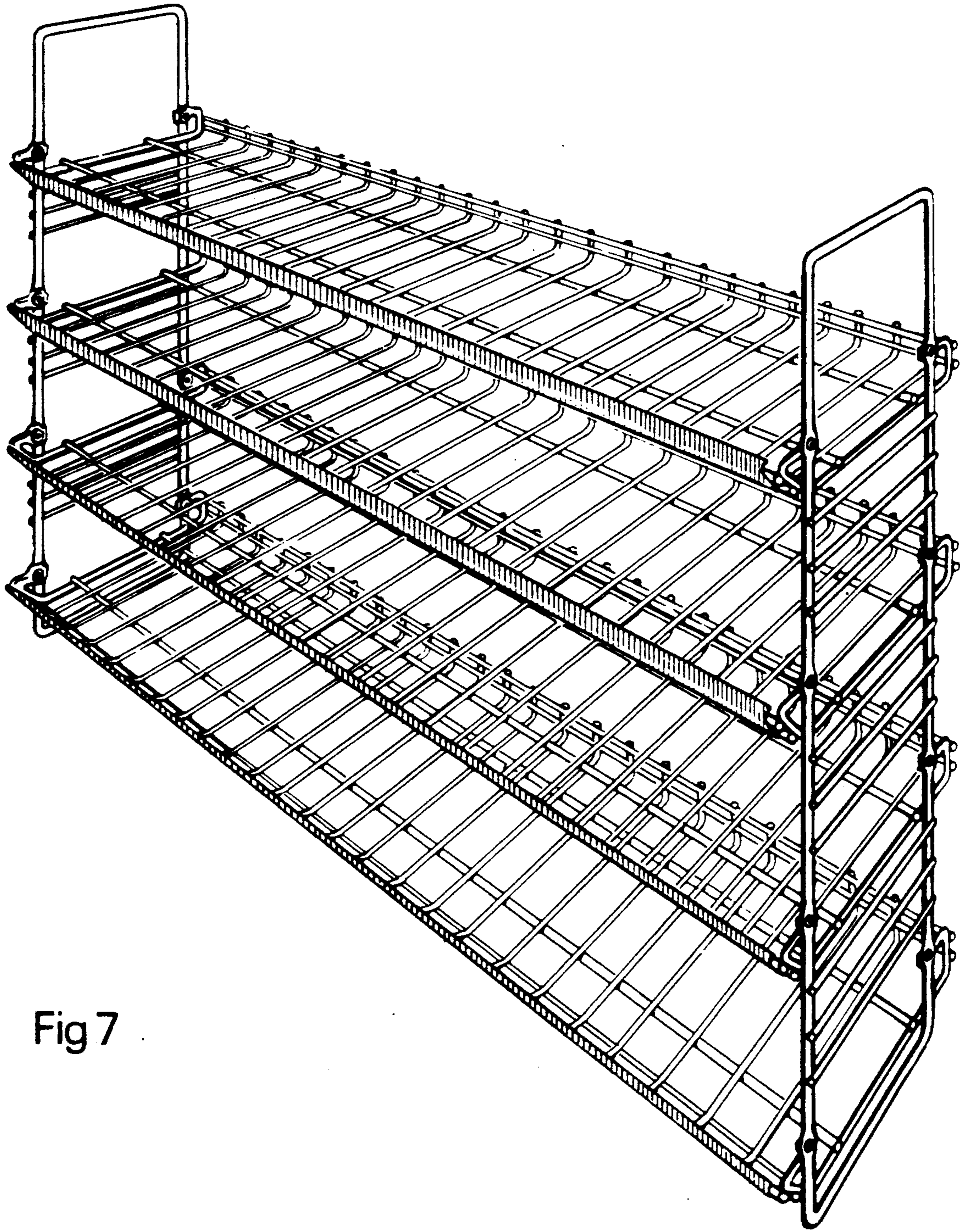


Fig 7