



US00D348995S

United States Patent [19]

[11] Patent Number: **Des. 348,995**

Doré

[45] Date of Patent: **** Jul. 26, 1994**

[54] MERCHANDISING HOLDER FOR WINE BOTTLES

[76] Inventor: **J. Patrick Doré**, 67 Oak Springs Dr., San Anselmo, Calif. 94960

[**] Term: **14 Years**

[21] Appl. No.: **235**

[22] Filed: **Oct. 8, 1992**

[52] U.S. Cl. **D6/457; D7/707**

[58] Field of Search **D6/455, 449, 457-461, D6/466-468, 475, 476, 486; 211/74, 75, 71, 77, 78, 13, 163; D7/616, 590**

[56] References Cited

U.S. PATENT DOCUMENTS

D. 74,599	3/1928	Farber	D7/616
D. 93,210	9/1934	Friedlander	D7/616
D. 152,053	12/1948	Barnes	D7/616
D. 169,380	4/1953	McGee	D7/616
D. 248,371	7/1978	Davis	D7/616 X
D. 251,412	3/1979	Weber	D7/616 X
D. 256,871	9/1980	Snyder	D7/590
111,920	2/1871	Ells	211/74
1,781,357	11/1930	Wolcott	211/74 X
5,025,936	6/1991	Lamoureaux	211/74
5,248,048	9/1993	Dore	211/74

FOREIGN PATENT DOCUMENTS

215939 5/1924 United Kingdom D7/616 X

OTHER PUBLICATIONS

Gifts & Decorative Access, Jun. 1975, 19.38 top, right corner on page.

Primary Examiner—Alan P. Douglas

Assistant Examiner—Jeffrey Asch

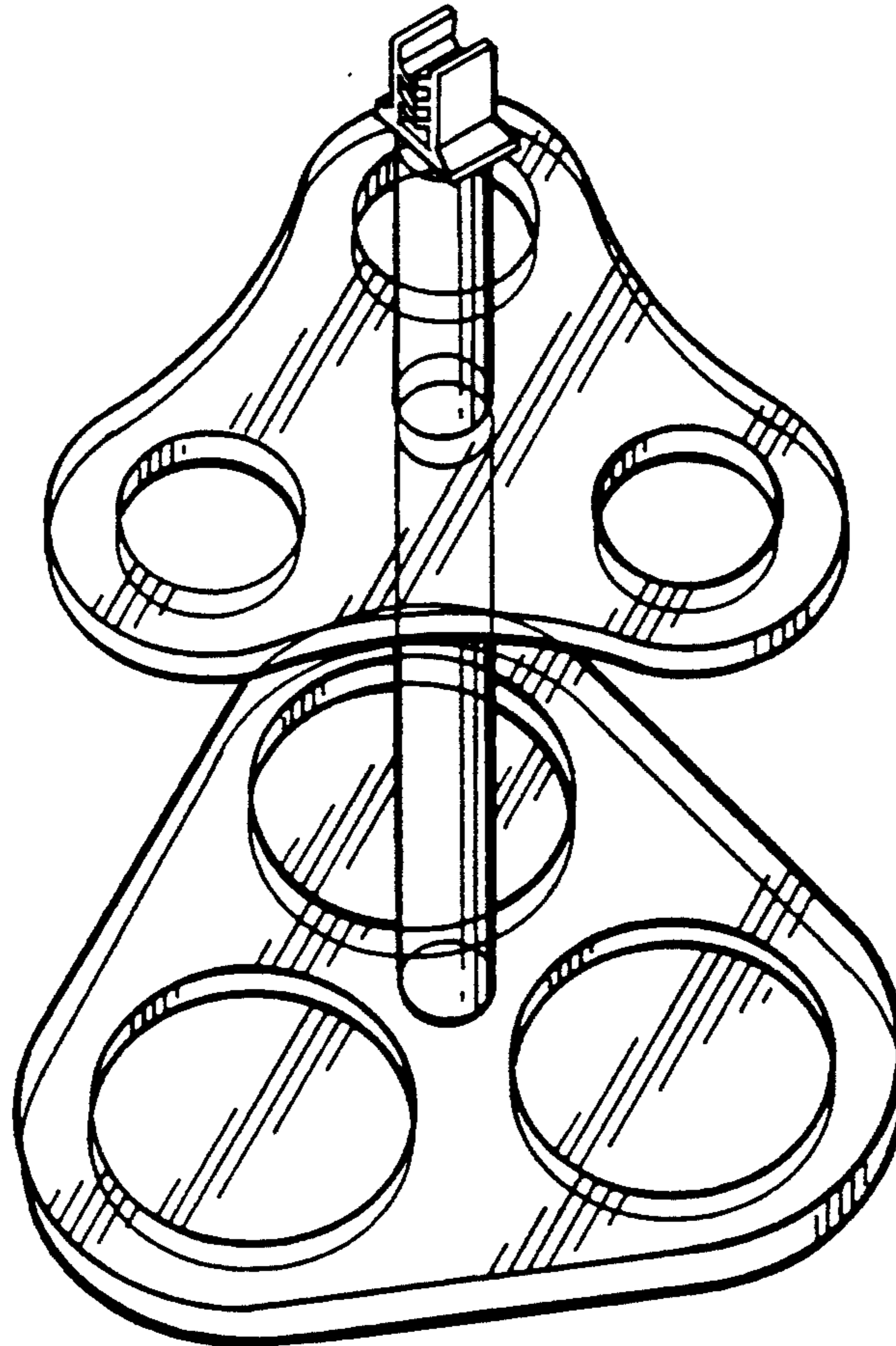
Attorney, Agent, or Firm—Phillips, Moore, Lempio & Finley

[57] CLAIM

The ornamental design for a merchandising holder for wine bottles, as shown and described.

DESCRIPTION

FIG. 1 is a perspective view of one side of a merchandising holder for wine bottles showing our new design with the design being symmetrical with other sides being mirror images of the side shown; FIG. 2 is a frontal elevation view thereof; and, FIG. 3 is a top plan view thereof. The broken line showing of a sign and wine bottle in FIG. 2 or illustrative purposes only and forms no part of the claimed design.



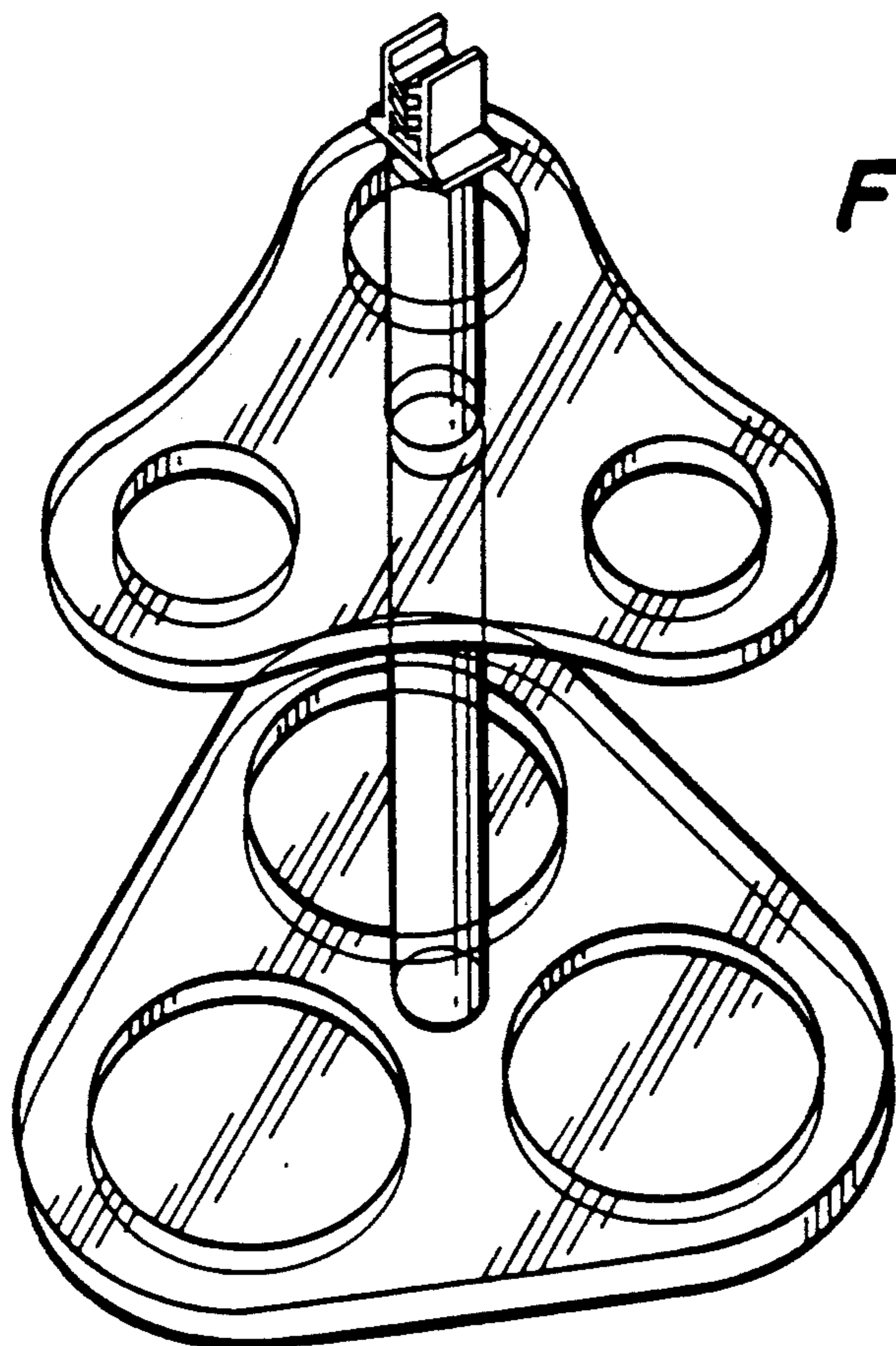


FIGURE 1

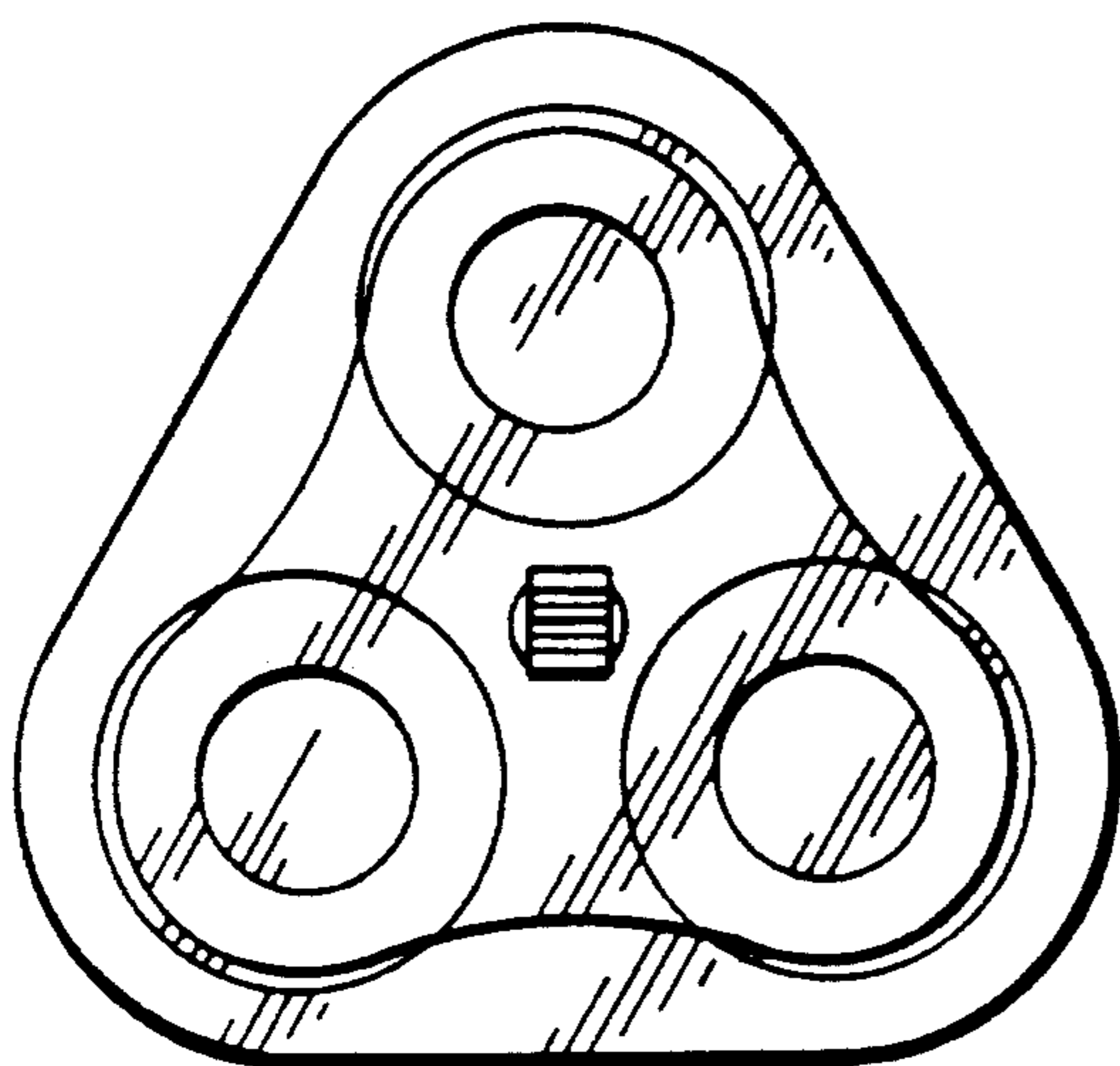


FIGURE 3

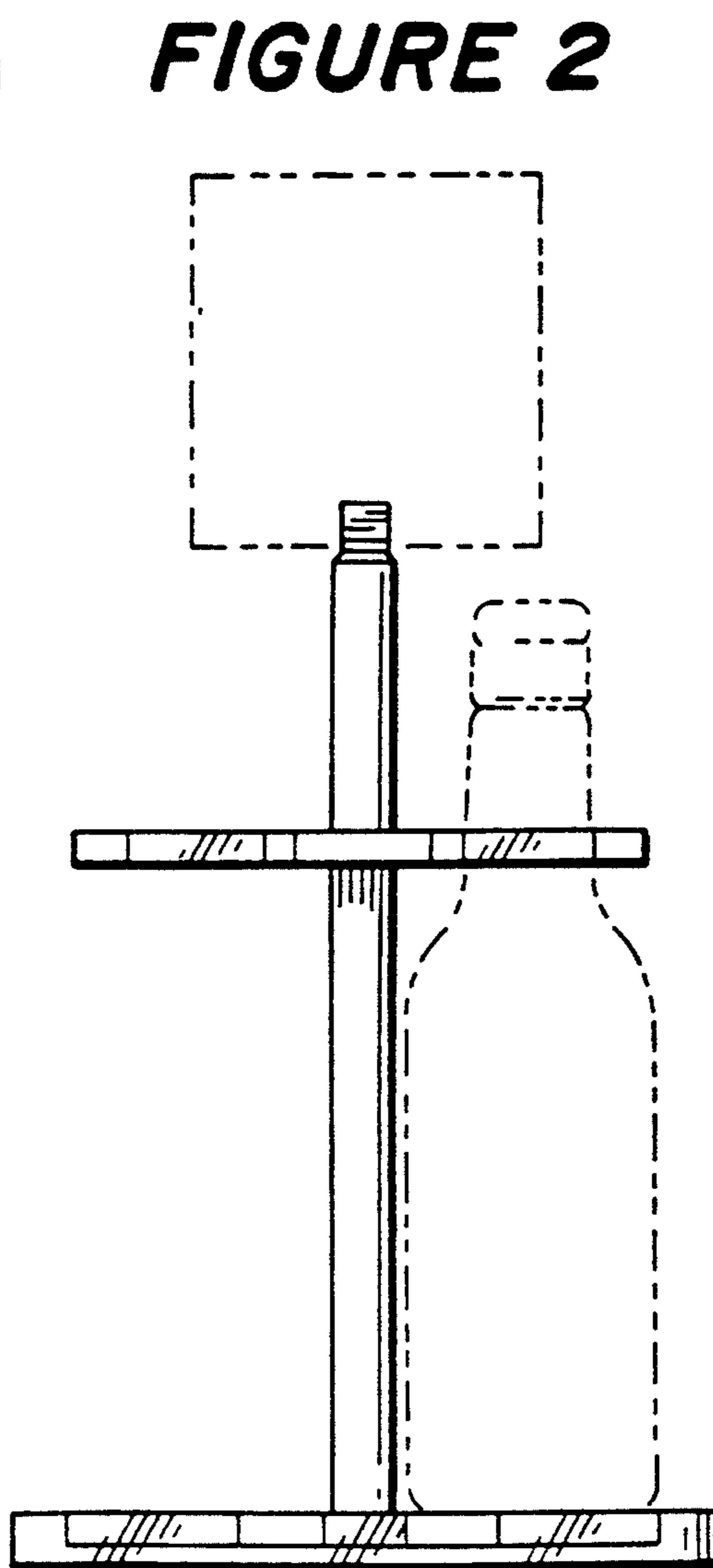


FIGURE 2