



US00D348992S

# United States Patent [19]

[11] Patent Number: **Des. 348,992**

**Arima**

[45] Date of Patent: **\*\* Jul. 26, 1994**

[54] **PORTABLE MULTIPLE USE WORKSTATION**

[76] Inventor: **Ronald H. Arima**, 1018 Leith Ave., Santa Clara, Calif. 95054

[\*\*] Term: **14 Years**

[21] Appl. No.: **675,480**

[22] Filed: **Mar. 26, 1991**

[52] U.S. Cl. .... **D6/420**

[58] Field of Search ..... **D6/419-431;**  
248/444.1, 454, 455, 460; 312/194-196;  
D19/88, 91

[56] **References Cited**

**U.S. PATENT DOCUMENTS**

D. 150,997	9/1948	Long	.....	D6/419
D. 236,775	9/1975	Cowley	.....	D6/420
D. 271,501	11/1983	Manning et al.	.....	D19/91
D. 320,319	10/1991	Brothers et al.	.....	D6/419
D. 329,762	9/1992	Weeks	.....	D6/419

D. 330,916	11/1992	Wolfe	.....	D19/91
4,313,589	2/1982	Veja	.....	248/444.1 X
4,378,102	3/1983	Portis, Jr. et al.	.....	248/460
4,423,568	1/1984	Gould	.....	D6/419 X
4,718,630	1/1988	Richard	.....	248/444.1
4,726,556	2/1988	Weir	.....	248/454

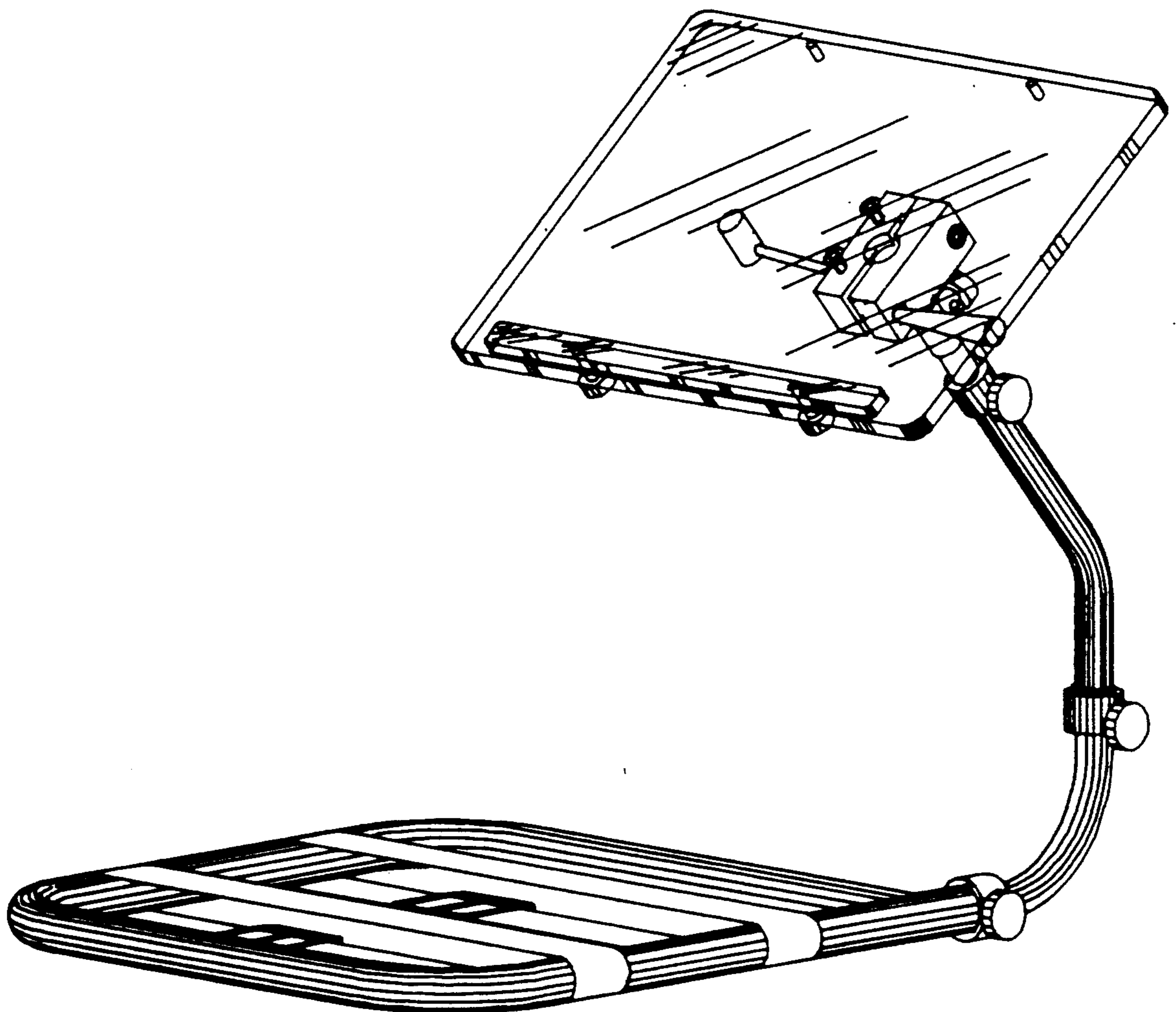
*Primary Examiner*—Carmen H. Vales-Lado

[57] **CLAIM**

The ornamental design for a portable multiple use workstation, as shown and described.

**DESCRIPTION**

FIG. 1 is a perspective view of a portable multiple use workstation showing my new design; FIG. 2 is a side elevational view thereof; FIG. 3 is a rear elevational view thereof; FIG. 4 is a front elevational view thereof; FIG. 5 is a front perspective view thereof; and, FIG. 6 is a rear perspective view of the workstation with the base and the article supporting portion rotated for left handed use.



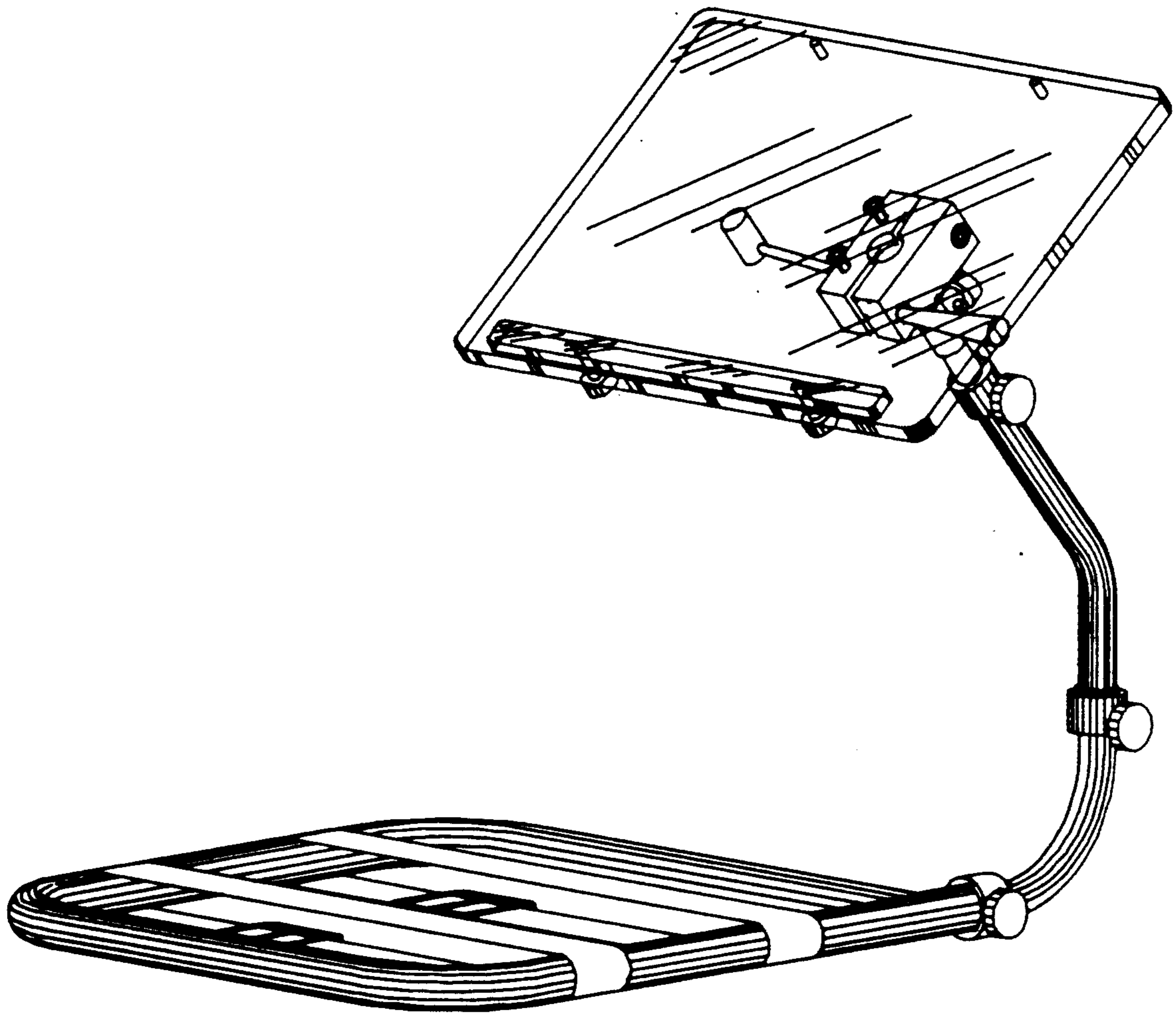


FIG. 1

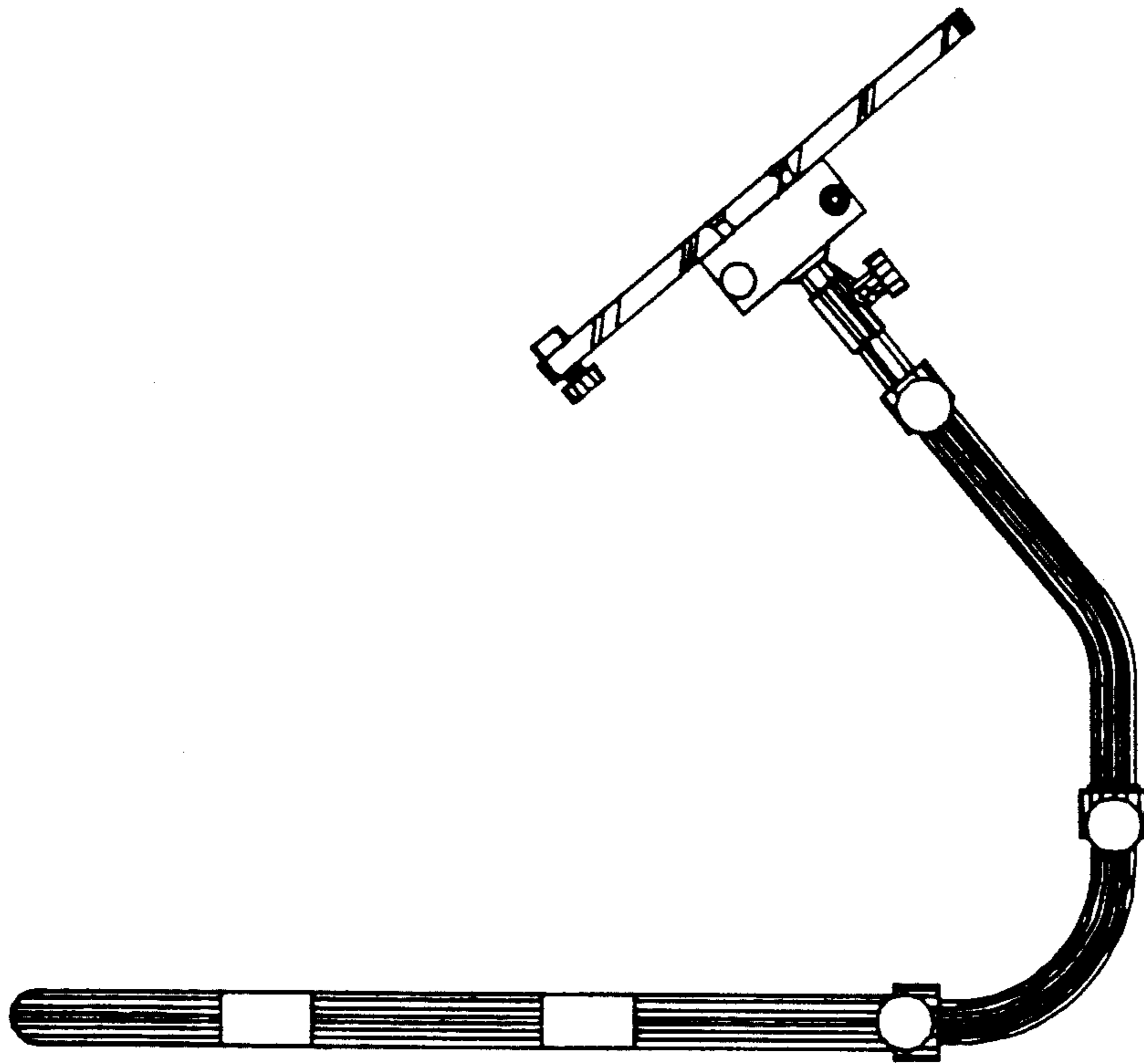


FIG. 2

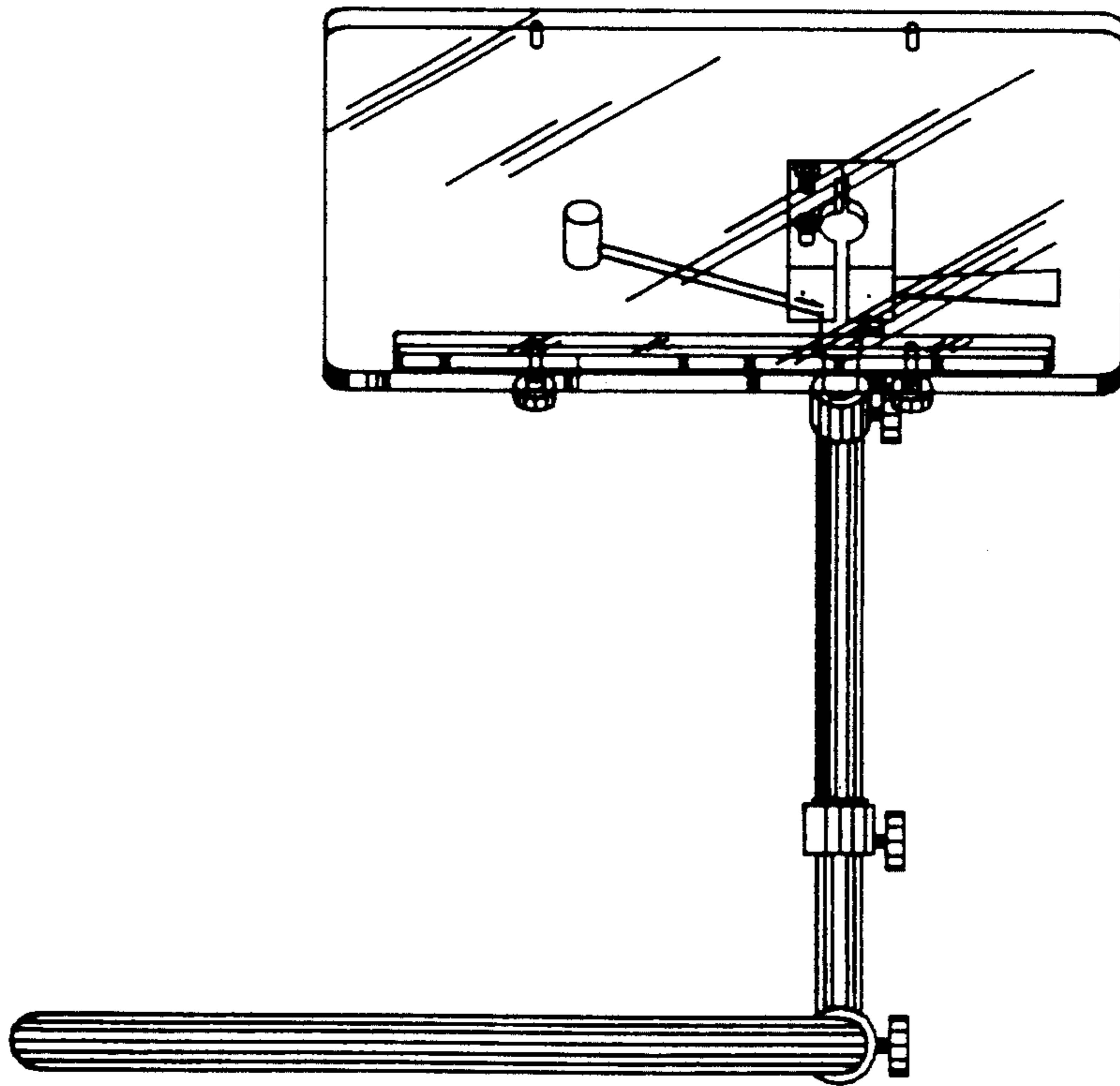


FIG. 3

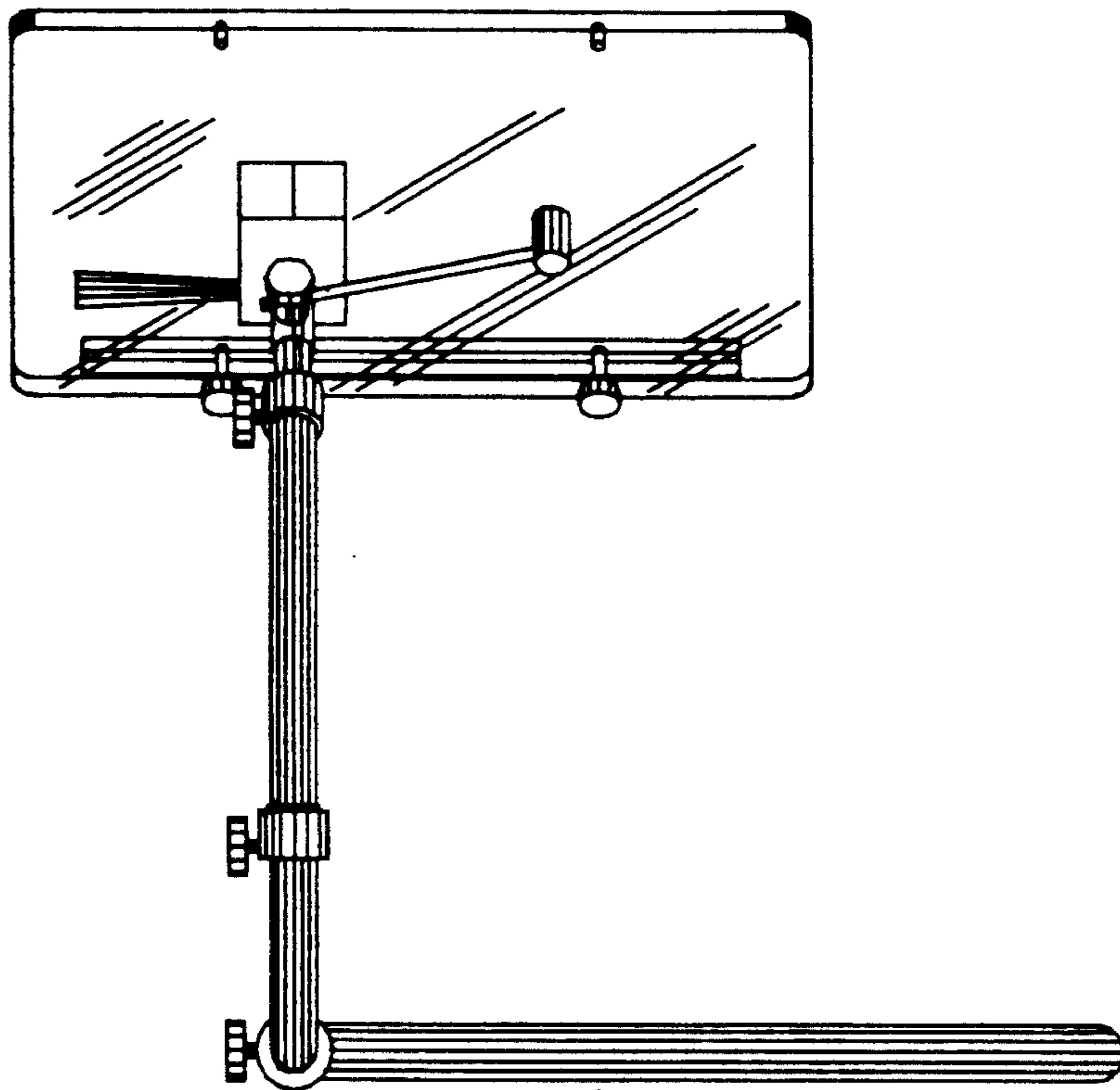


FIG. 4

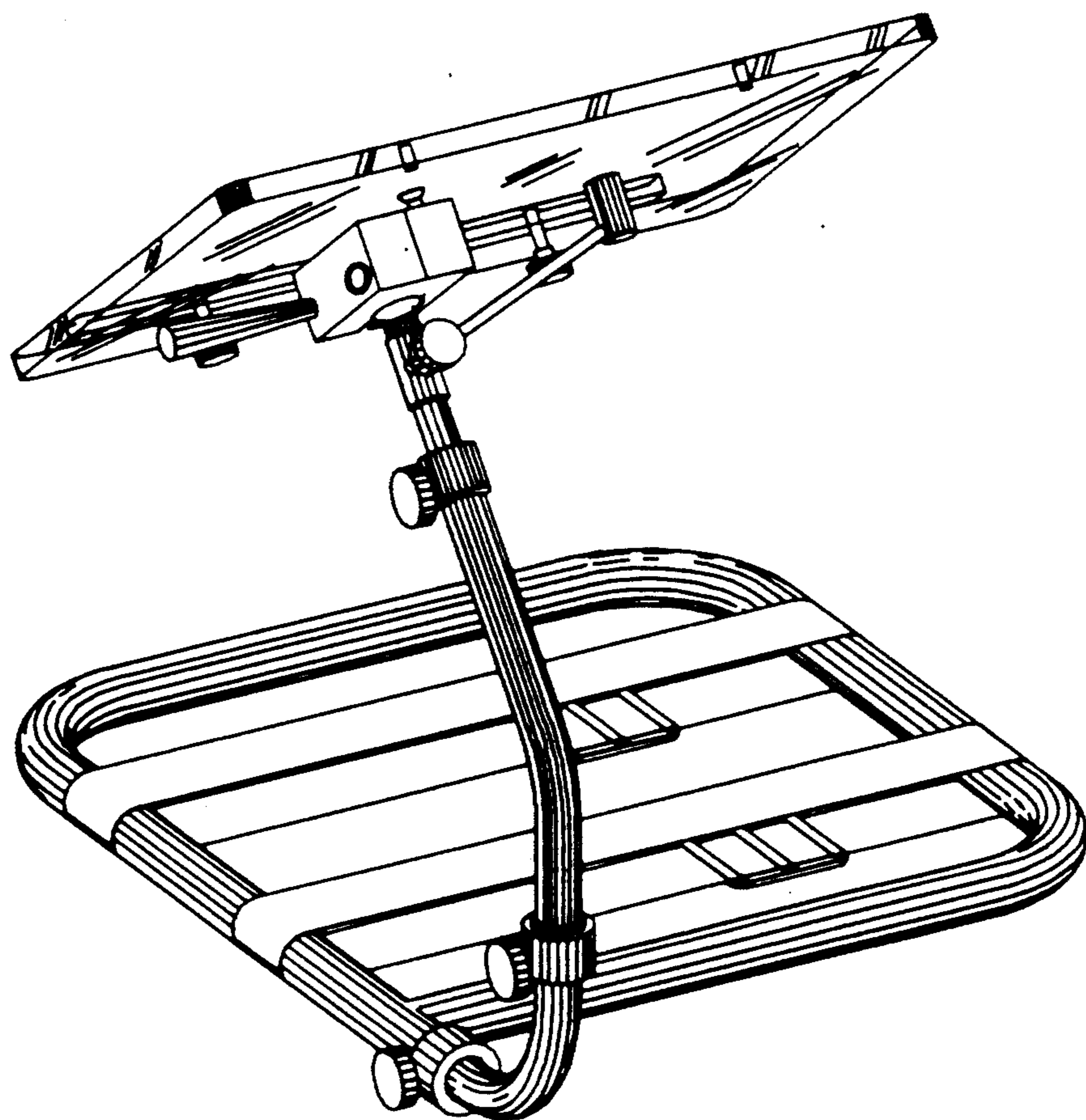


FIG. 5

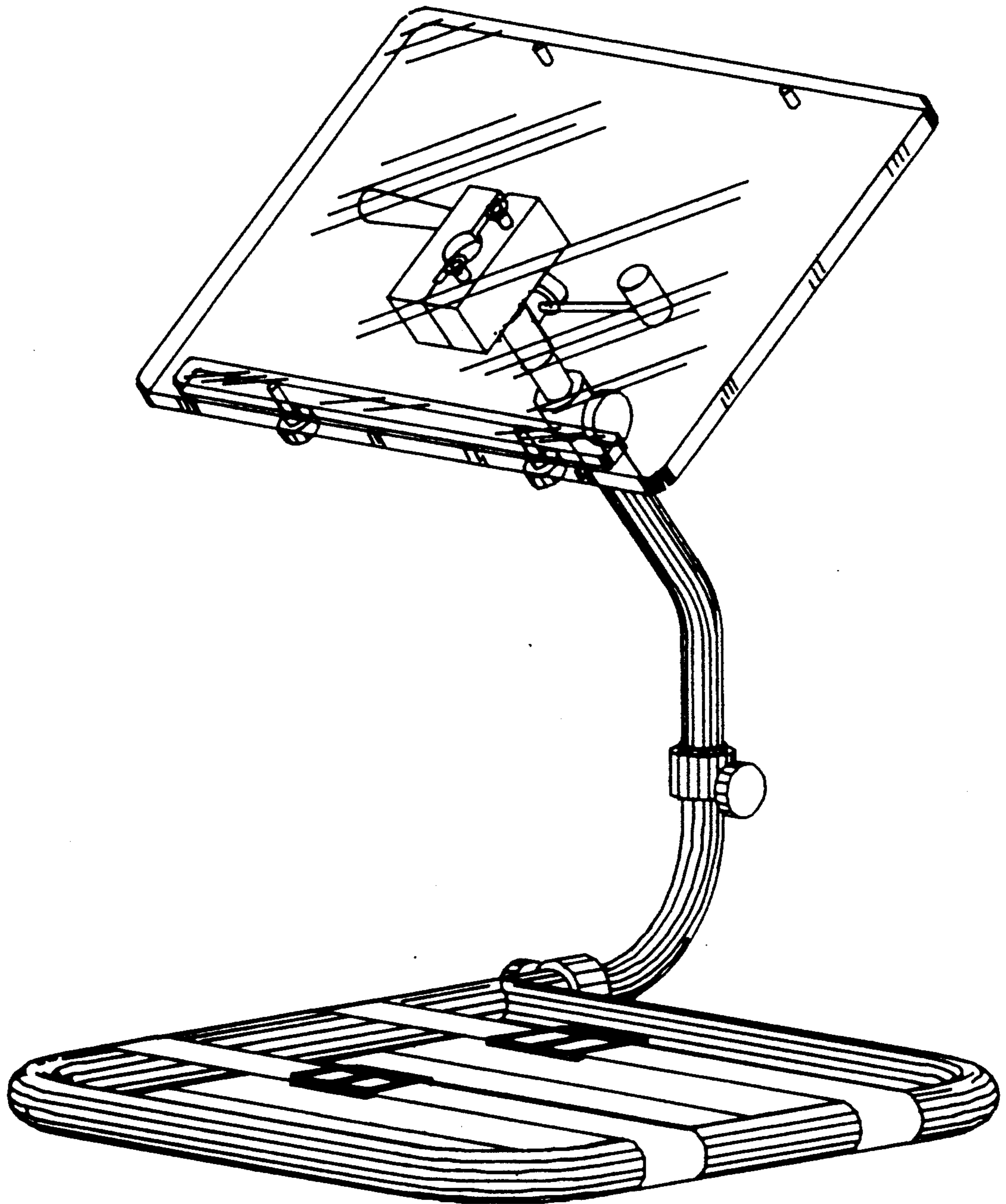


FIG. 6